

[54] DETECTOR MODULE FOR A LINE MONITOR OR THE LIKE

[75] Inventor: Allen R. Perrins, Branford, Conn.

[73] Assignee: The Superior Electric Company, Bristol, Conn.

[\*\*] Term: 14 Years

[21] Appl. No.: 506,705

[22] Filed: Jun. 20, 1983

[52] U.S. Cl. .... D10/75; D10/106; D10/80

[58] Field of Search ..... D10/75, 78, 80, 103, D10/46, 81, 104, 106; 324/103; D14/114; D13/40, 41

[56] References Cited

U.S. PATENT DOCUMENTS

D. 266,514 10/1982 Fernalld ..... D14/114

D. 269,673 7/1983 Johansson ..... D14/114 X  
D. 275,659 9/1984 Hackmack ..... D10/75  
D. 276,028 10/1984 Crotty ..... D10/75  
3,372,310 3/1968 Kantor ..... D13/40

Primary Examiner—Nelson C. Holtje  
Attorney, Agent, or Firm—John H. Crozier

[57] CLAIM

The ornamental design for a detector module for a line monitor or the like, substantially as shown.

DESCRIPTION

FIG. 1 is a front and top right perspective view of a detector module for a line monitor or the like showing my new design;

FIG. 2 is a top plan view thereof;

FIG. 3 is a right side elevational view thereof;

FIG. 4 is a left side elevational view thereof;

FIG. 5 is a bottom plan view thereof;

FIG. 6 is a front elevational view thereof;

FIG. 7 is a rear elevational view thereof.

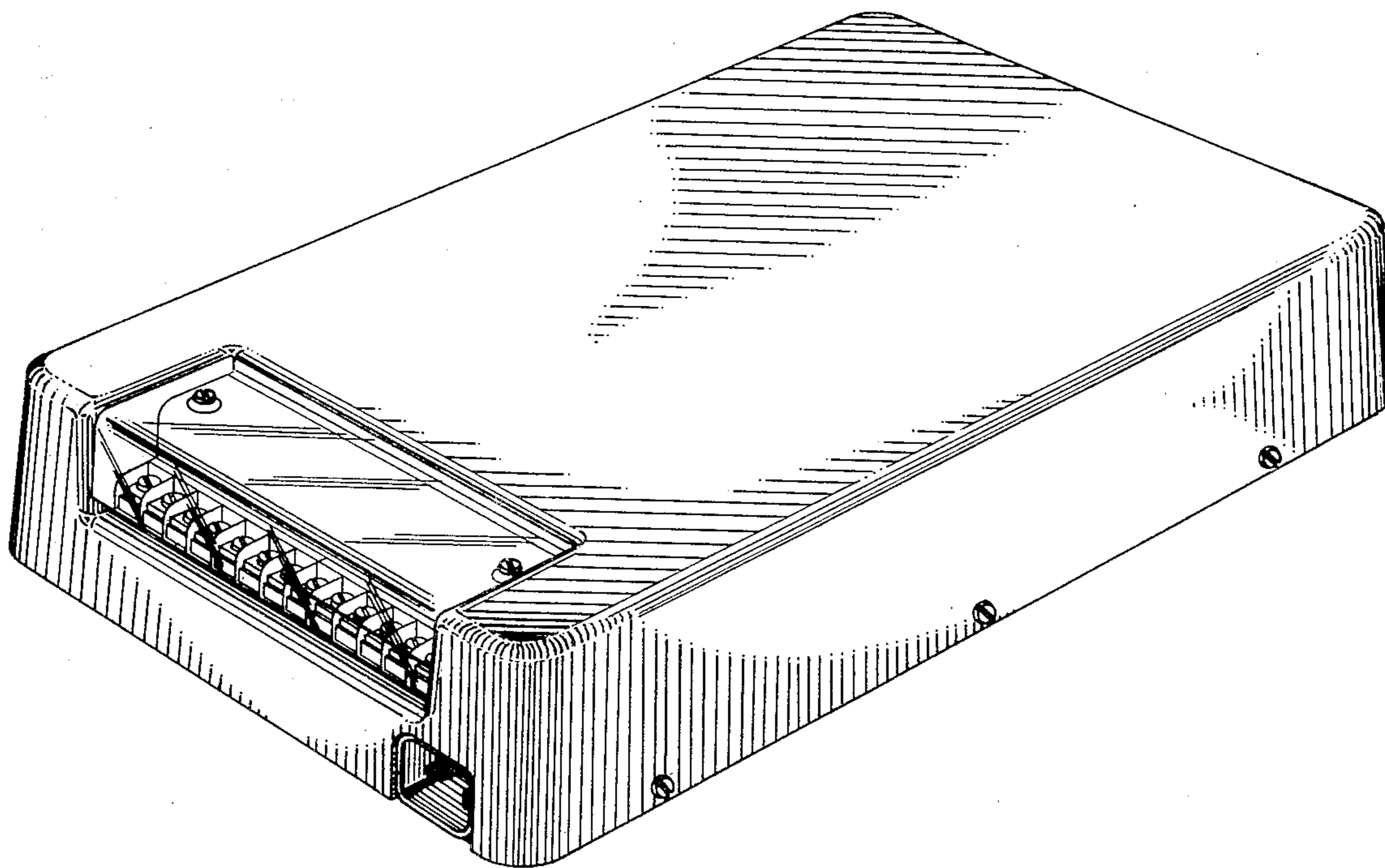


FIG. 1

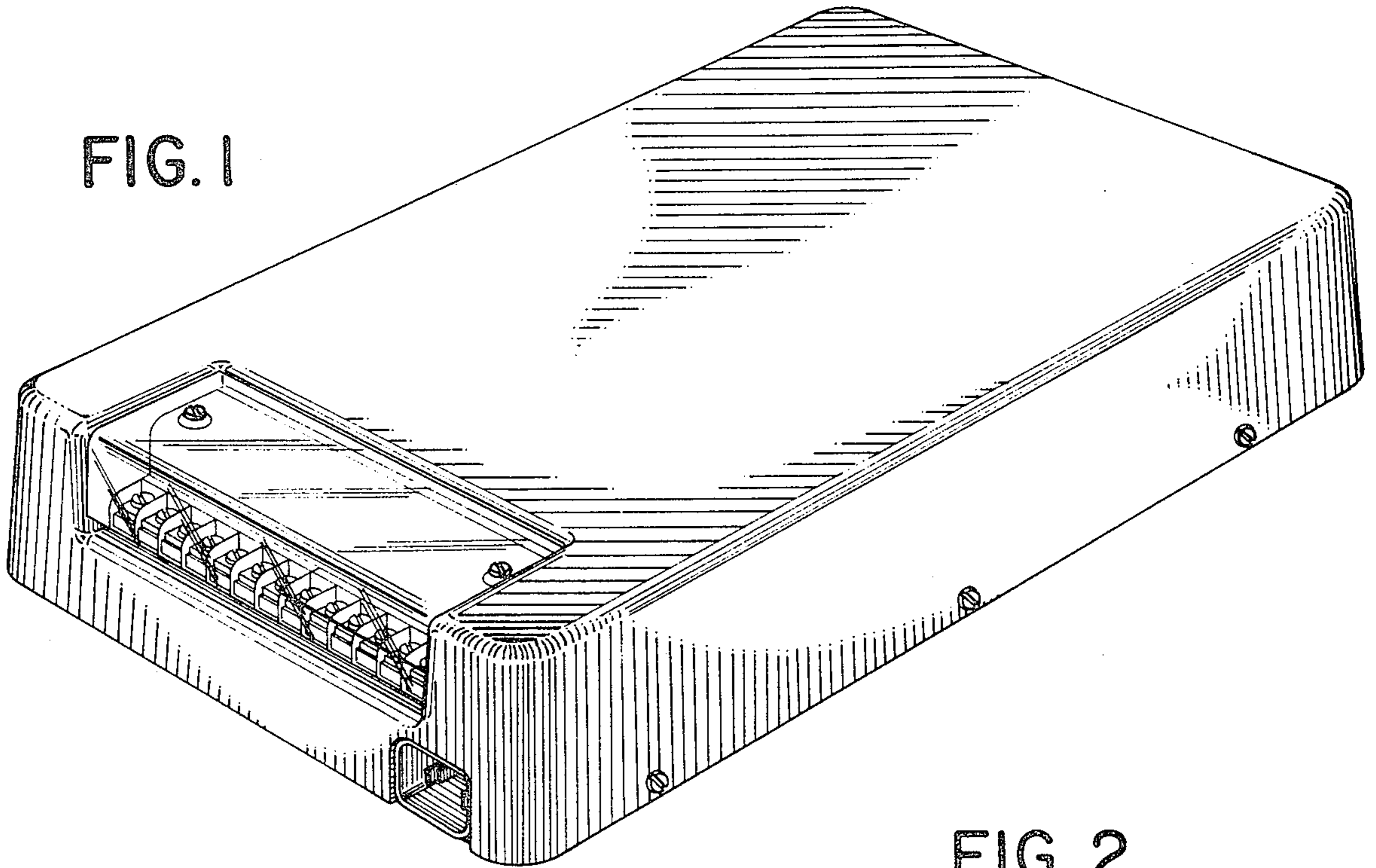


FIG. 2

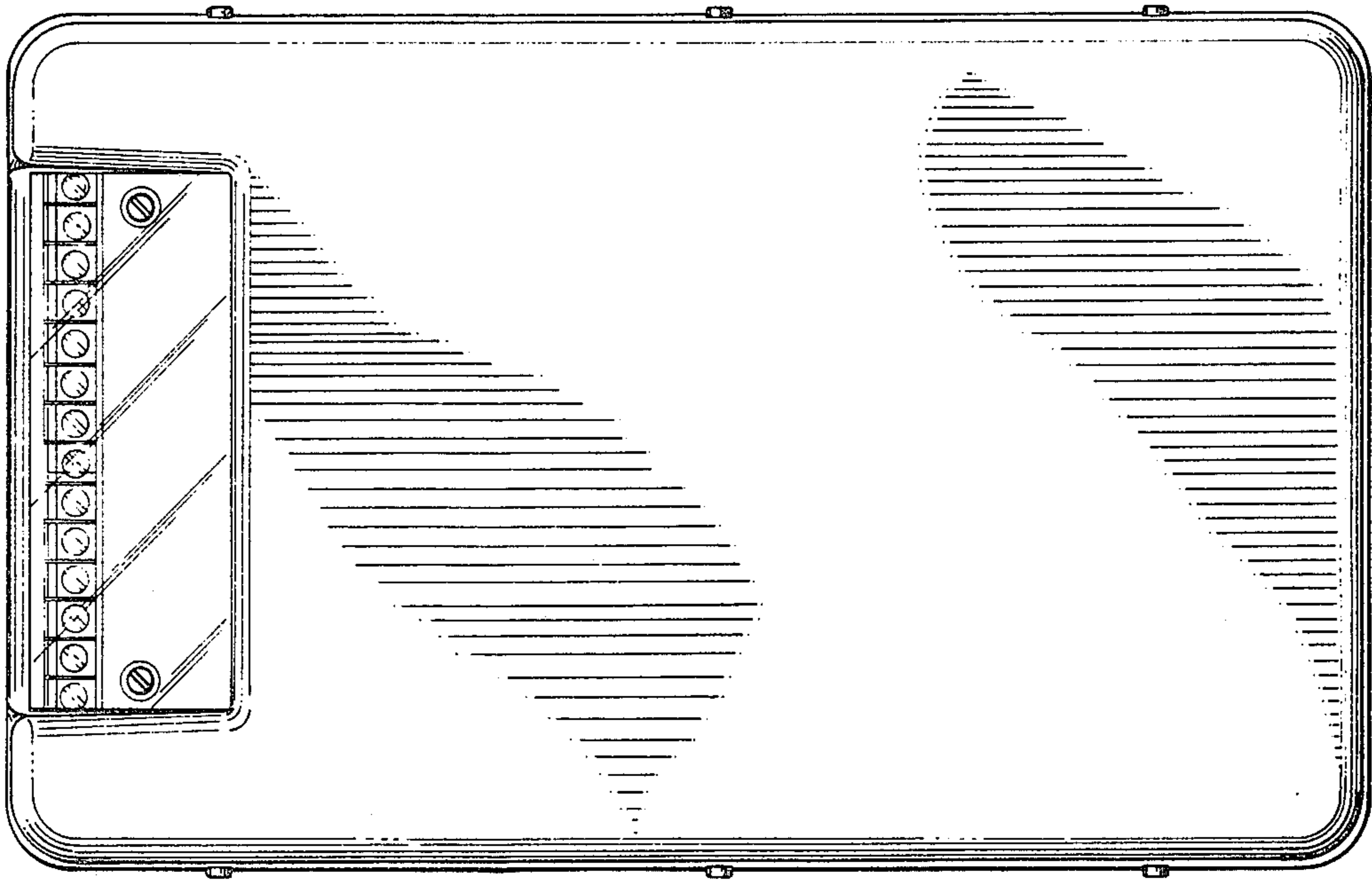


FIG. 3

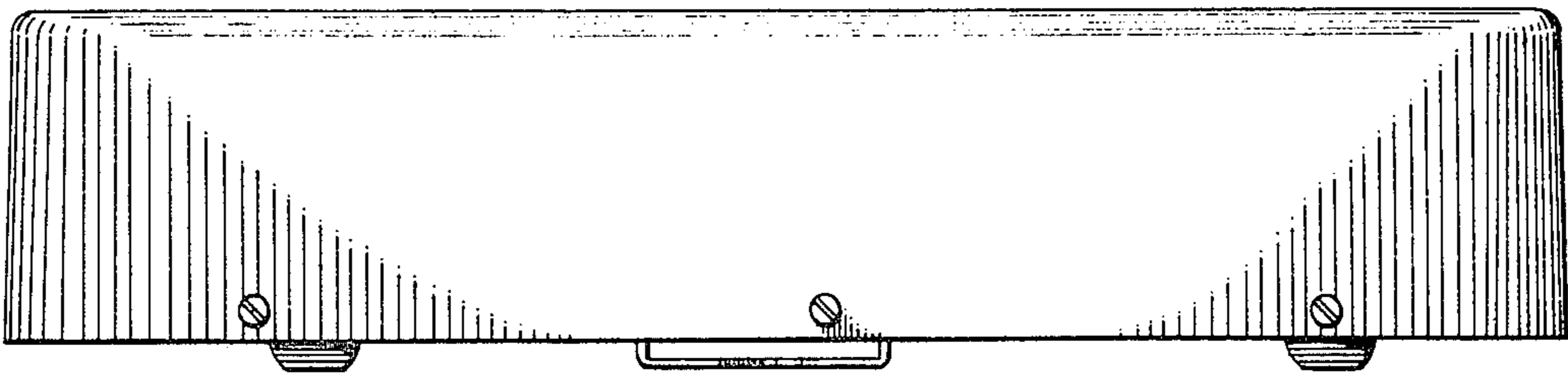


FIG. 4

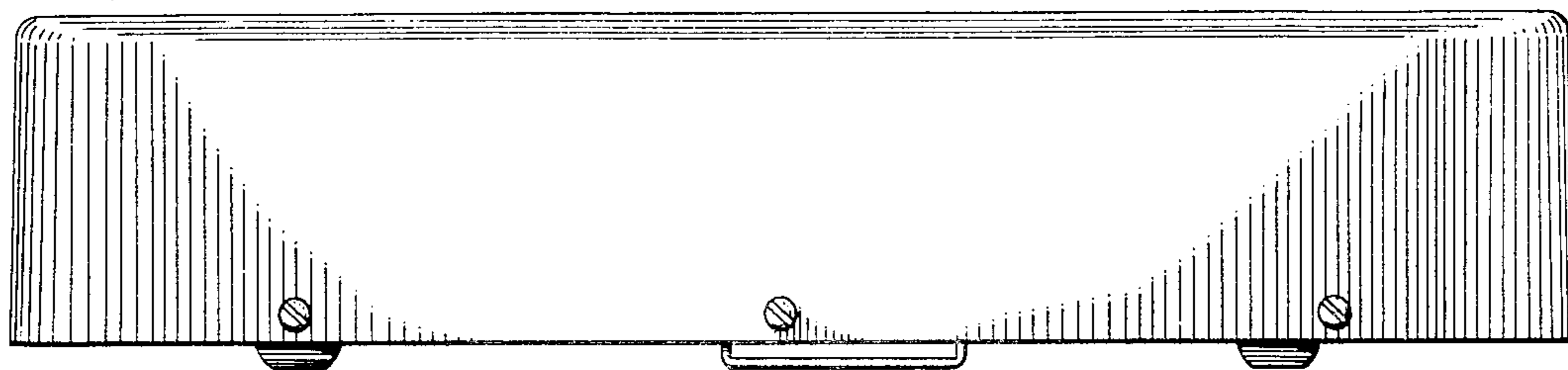


FIG. 5

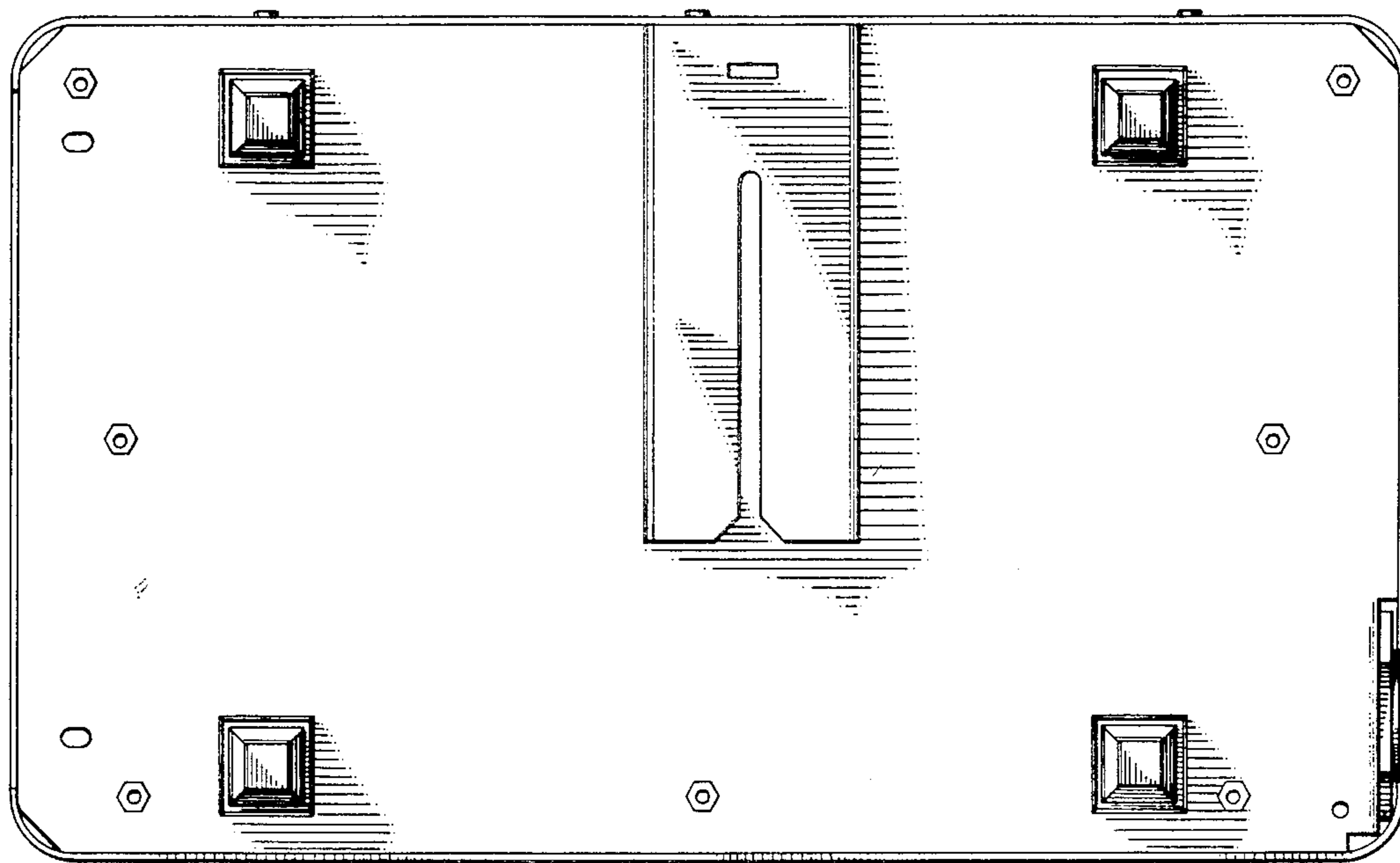


FIG. 6

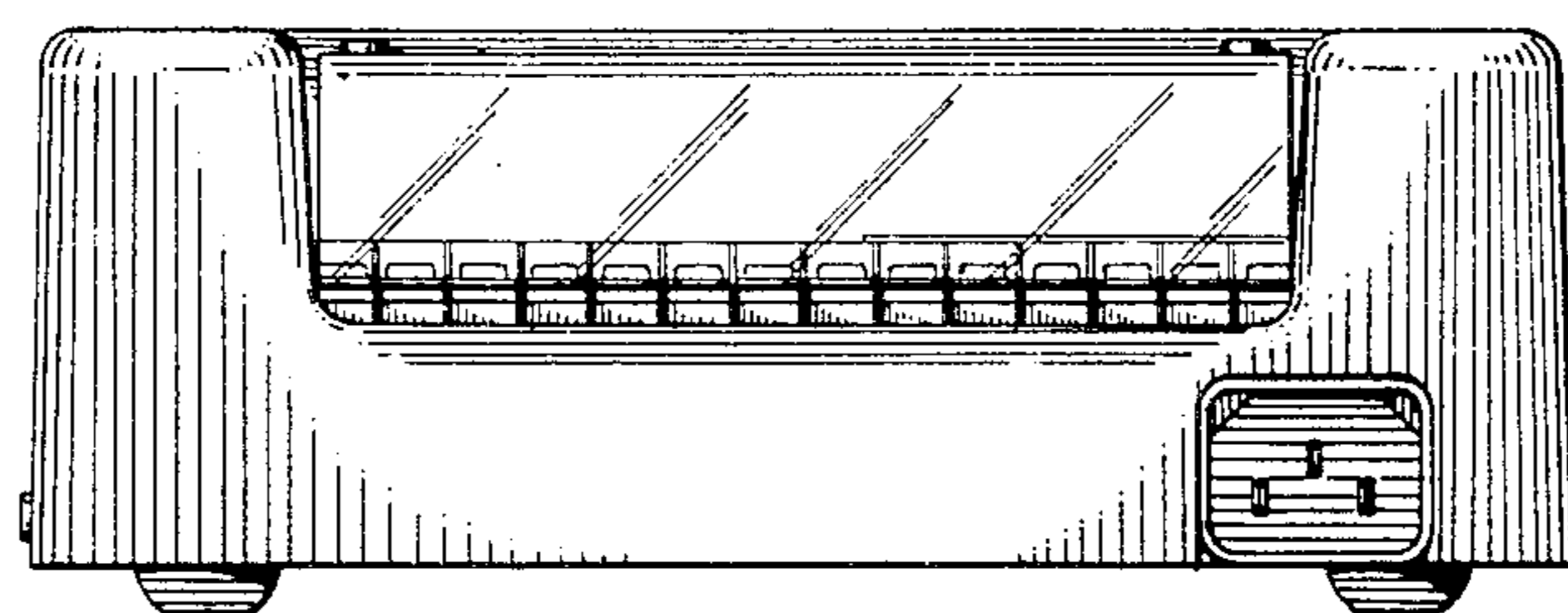


FIG. 7

