

[54] **ABRADING TOOL**

[76] **Inventor: Paul S. Hepworth**, 4B The Broadway, Oadby, Leicester, England

[**] **Term: 14 Years**

[21] **Appl. No.: 394,474**

[22] **Filed: Jul. 1, 1982**

[30] **Foreign Application Priority Data**

Jan. 14, 1982 [GB] United Kingdom 821004661

[52] **U.S. Cl. D8/90**

[58] **Field of Search D8/90, 91, 92, 93, 94; D15/124, 125, 126; 51/204 R, 205 R, 206.4, 214, 205 WG, 363, 391, 392, 393; 76/82, 82.2, 84; 269/3**

[56] **References Cited**

U.S. PATENT DOCUMENTS

D. 179,378 12/1956 Cole D8/94 X
945,771 1/1910 Ensminger 76/82

OTHER PUBLICATIONS

Better Homes & Gardens, Apr. 1978, p. 31, bottom photo-center Abrader.

Primary Examiner—Susan J. Lucas

Assistant Examiner—Clare E. Heflin

Attorney, Agent, or Firm—Frijouf, Rust & Pyle

[57] **CLAIM**

The ornamental design for an abrading tool, as shown and described.

DESCRIPTION

FIG. 1 is a perspective view of an abrading tool showing my new design;

FIG. 2 is a left side view thereof;

FIG. 3 is a rear view thereof;

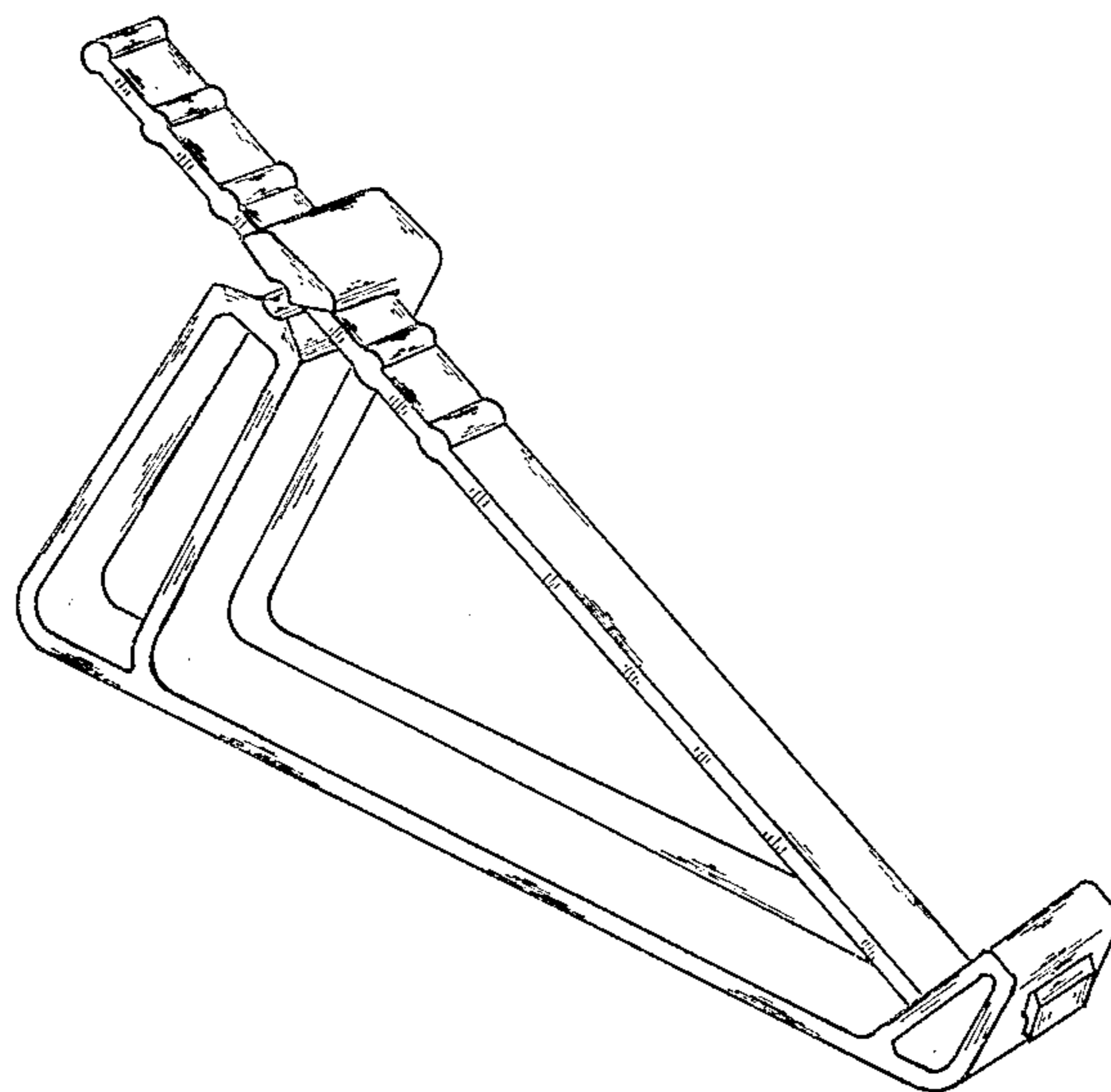
FIG. 4 is a front view thereof;

FIG. 5 is a sectional view thereof, taken from lines 5—5 of FIG. 2;

FIG. 6 is a left side view thereof showing a first alternate position;

FIG. 7 is a left side view thereof showing a second alternate position;

FIG. 8 is a perspective view thereof, of the side opposite that shown in FIG. 1.



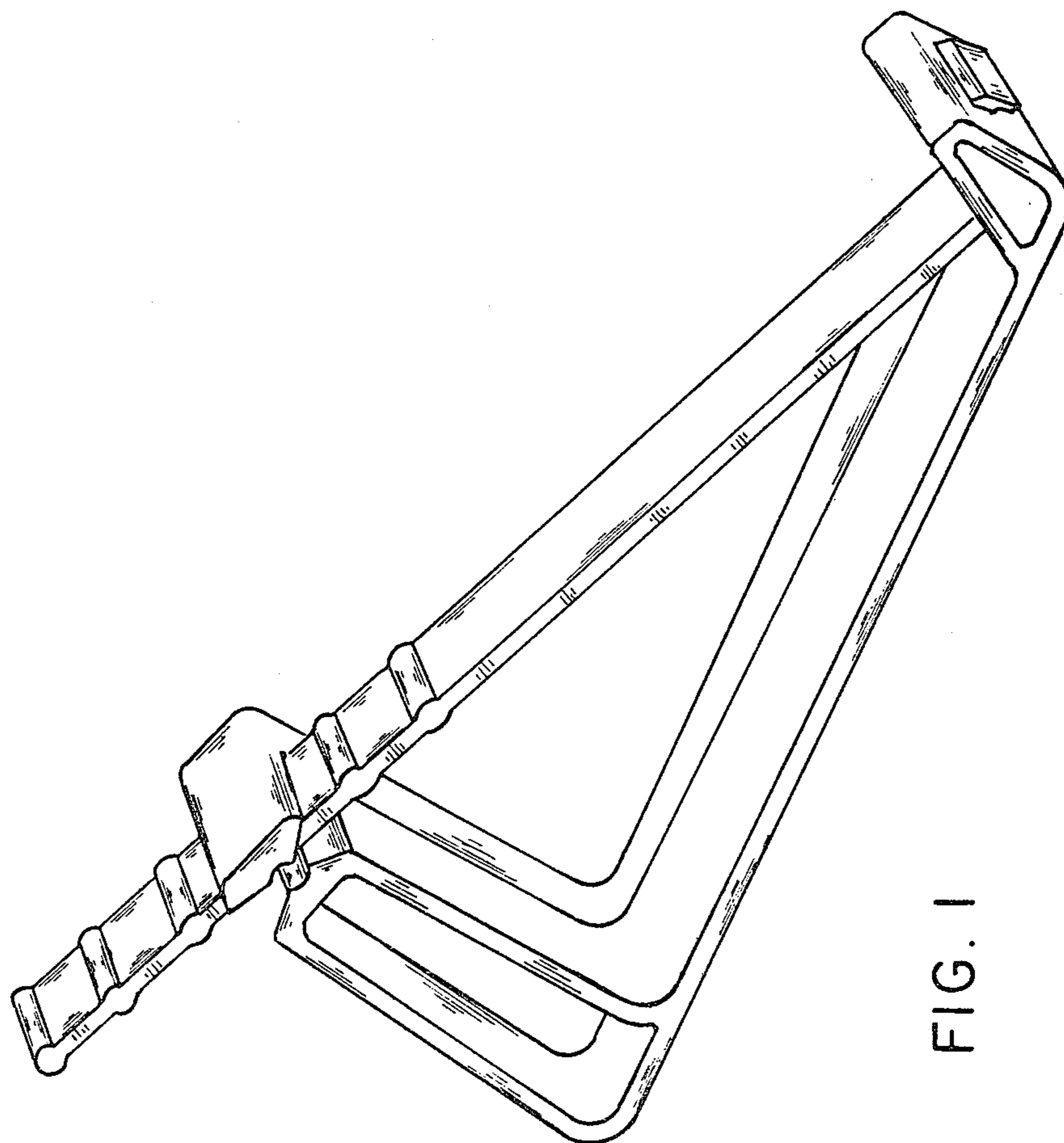


FIG. 1

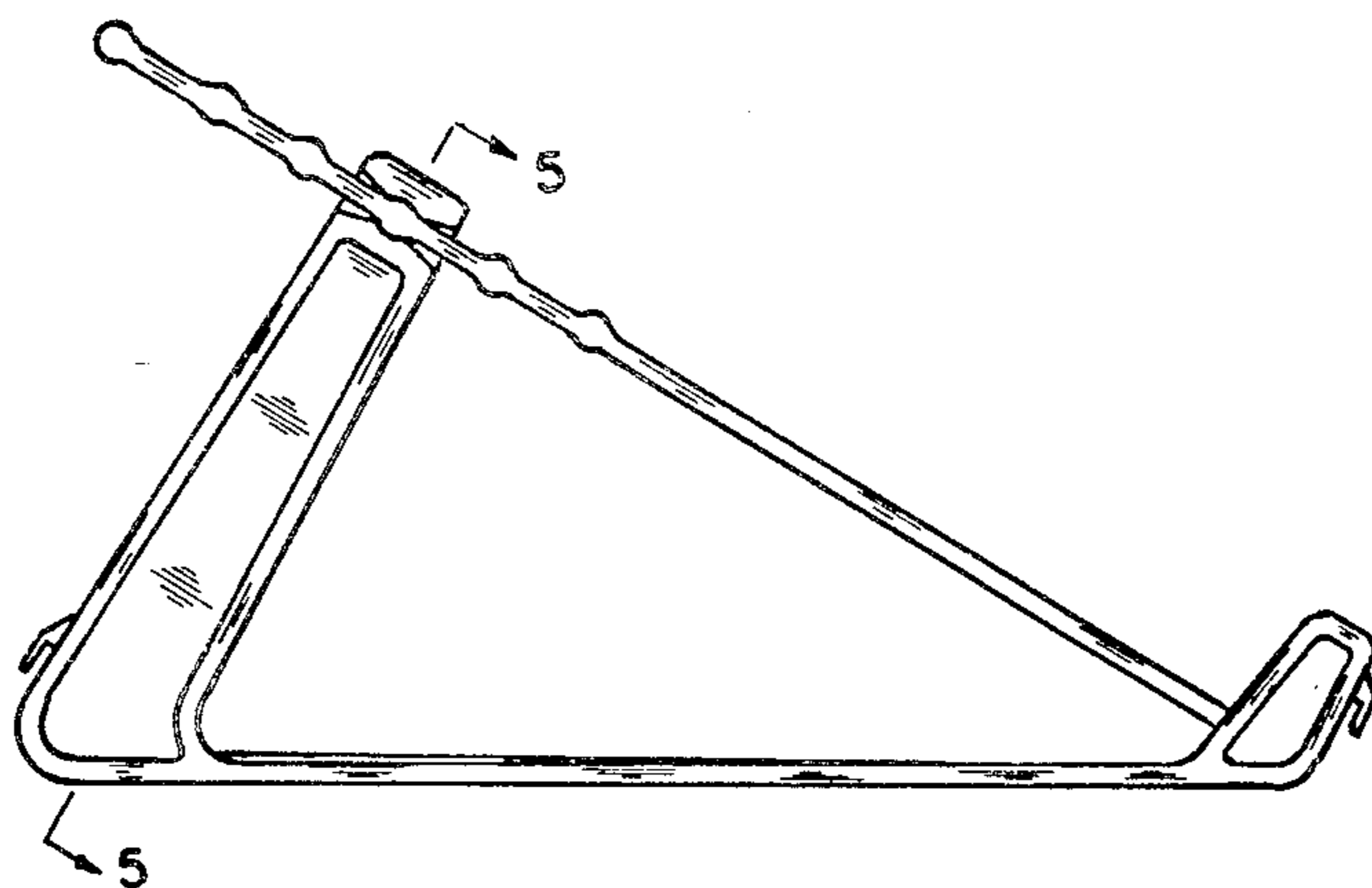


FIG. 2

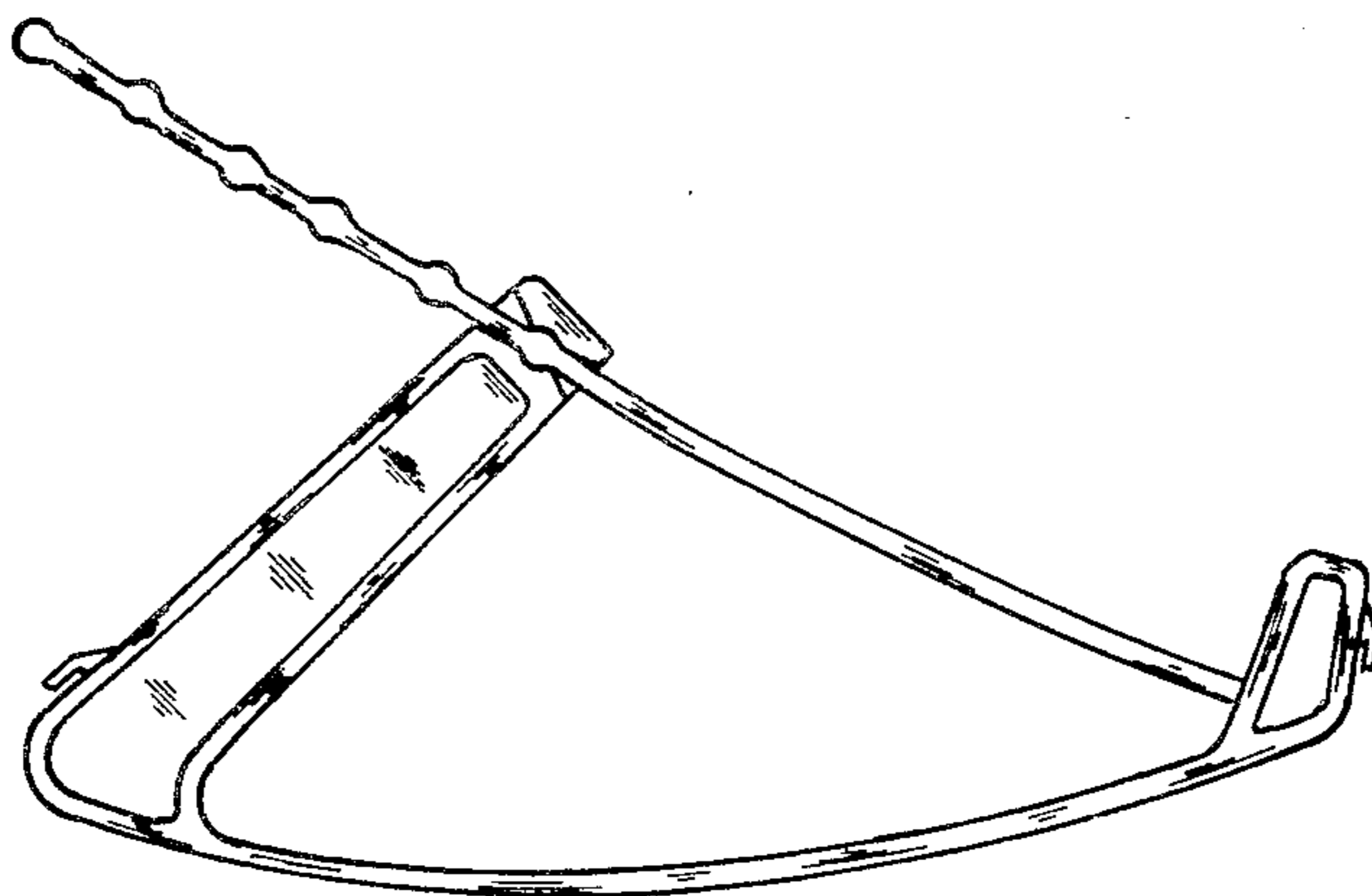


FIG. 6

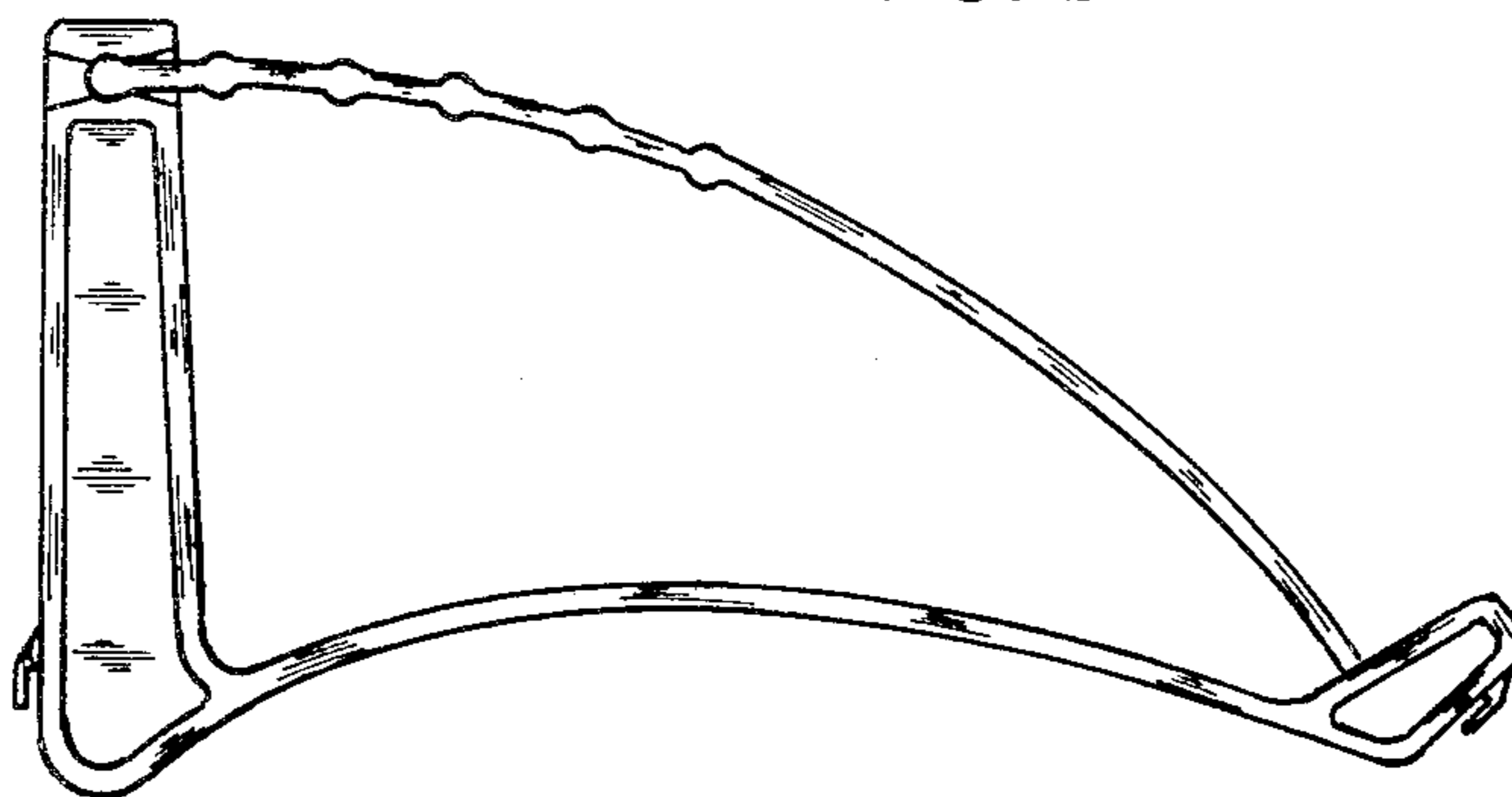


FIG. 7

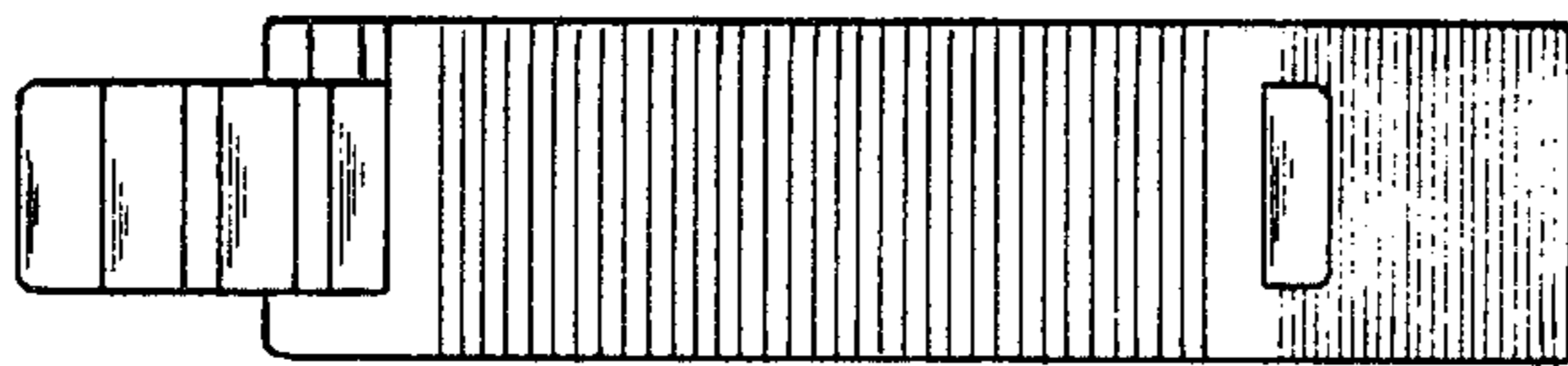


FIG. 3

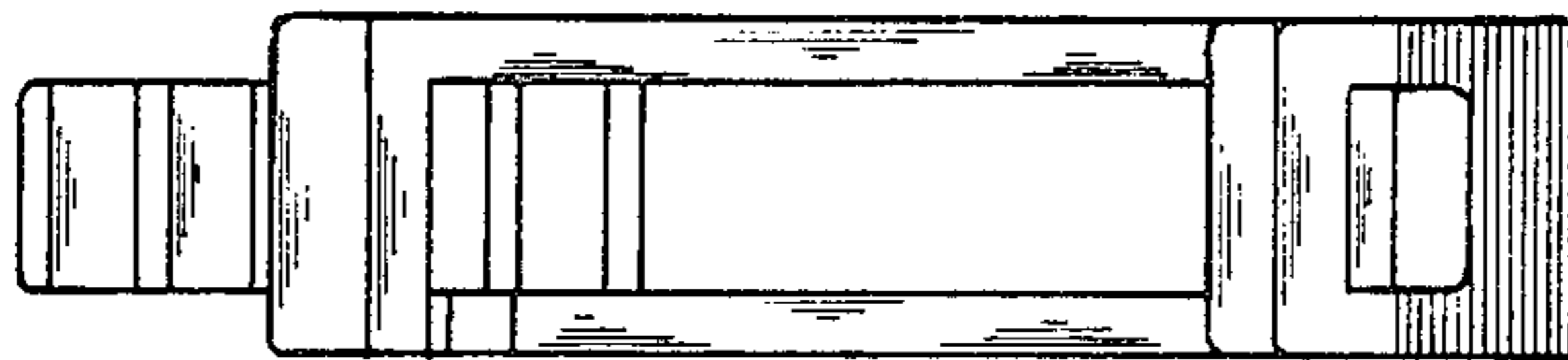


FIG. 4

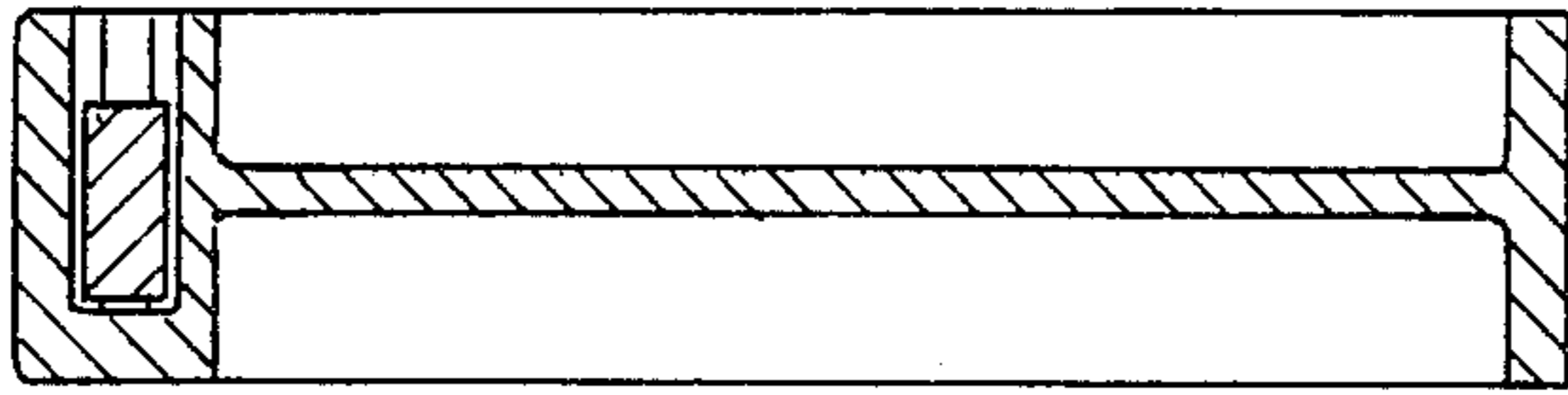


FIG. 5

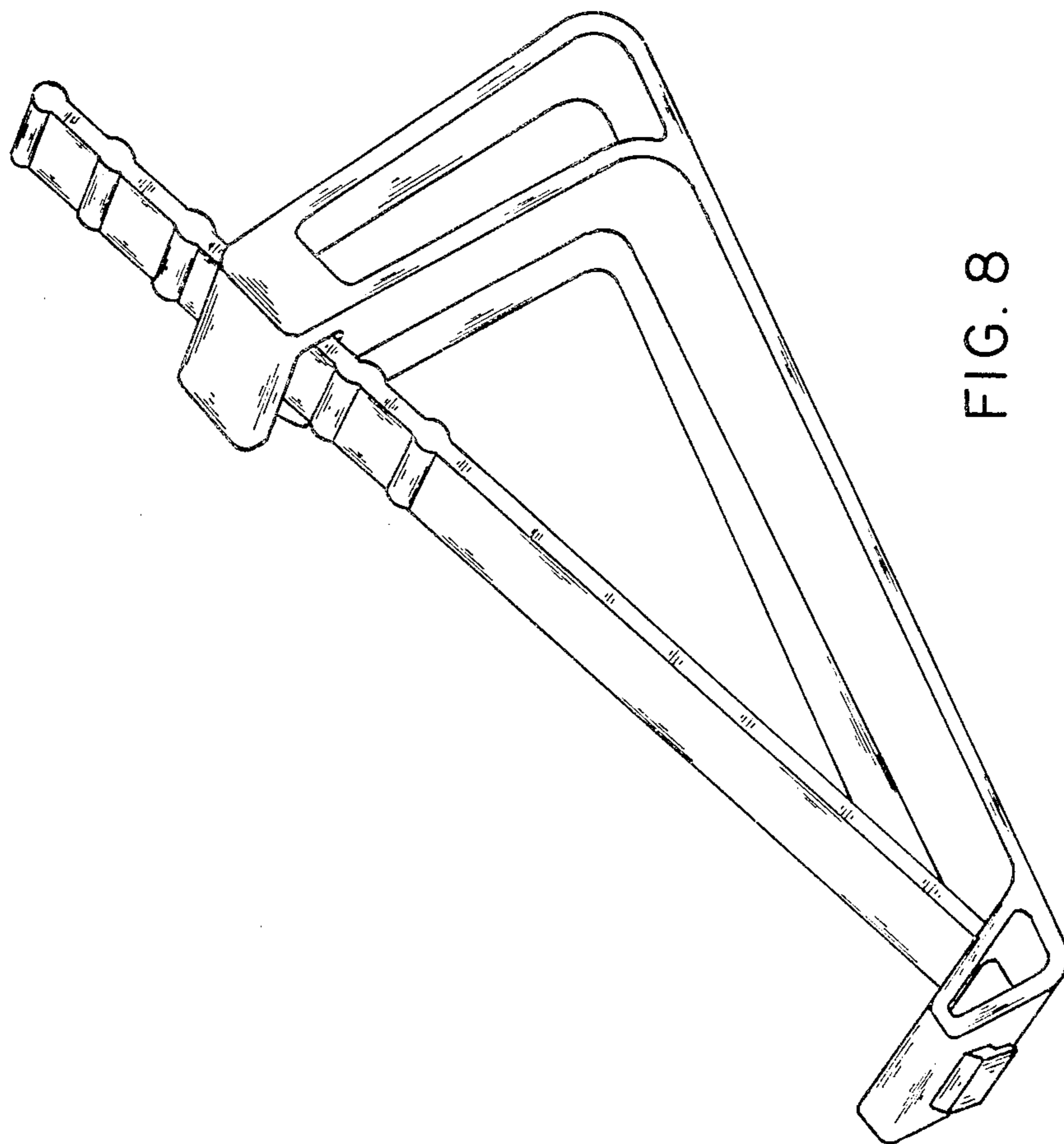


FIG. 8