

[54] ELECTRIC GLUE GUN

[76] Inventor: Robert I. Somers, 5217 Caber Rd., Raleigh, N.C. 27612

[**] Term: 14 Years

[21] Appl. No.: 555,682

[22] Filed: Nov. 28, 1983

[52] U.S. Cl. D8/61; D8/68

[58] Field of Search D8/30, 61, 68, 107, D8/51; 173/163, 169, 170; 81/54, 57.11; 408/124, DIG. 1; 310/50; 222/146 HE; 219/230, 421; 72/391, 453.15

[56] References Cited

U.S. PATENT DOCUMENTS

- D. 210,977 5/1968 Ruskin D8/30
- D. 211,206 5/1968 Johnson et al. D8/30
- 3,740,295 6/1973 Brown 219/230 X

OTHER PUBLICATIONS

Literature Showing Black & Decker & UHU Glue Gun.
Literature Showing Steinel Glue Fix 2000.

3M Publication Showing Polygun TC Glue Gun.
Literature Showing Klebe-Colt Glue Gun.
Literature Showing Kelbe-Pistolen Glue Gun.
Literature Showing Swingline Glue Gun.
Dremel Publication Showing Pro-Bonder Glue Gun.
Ad Tech Publication (Believed To Be Dated May 1982,) Showing Pro-90 Glue Gun.

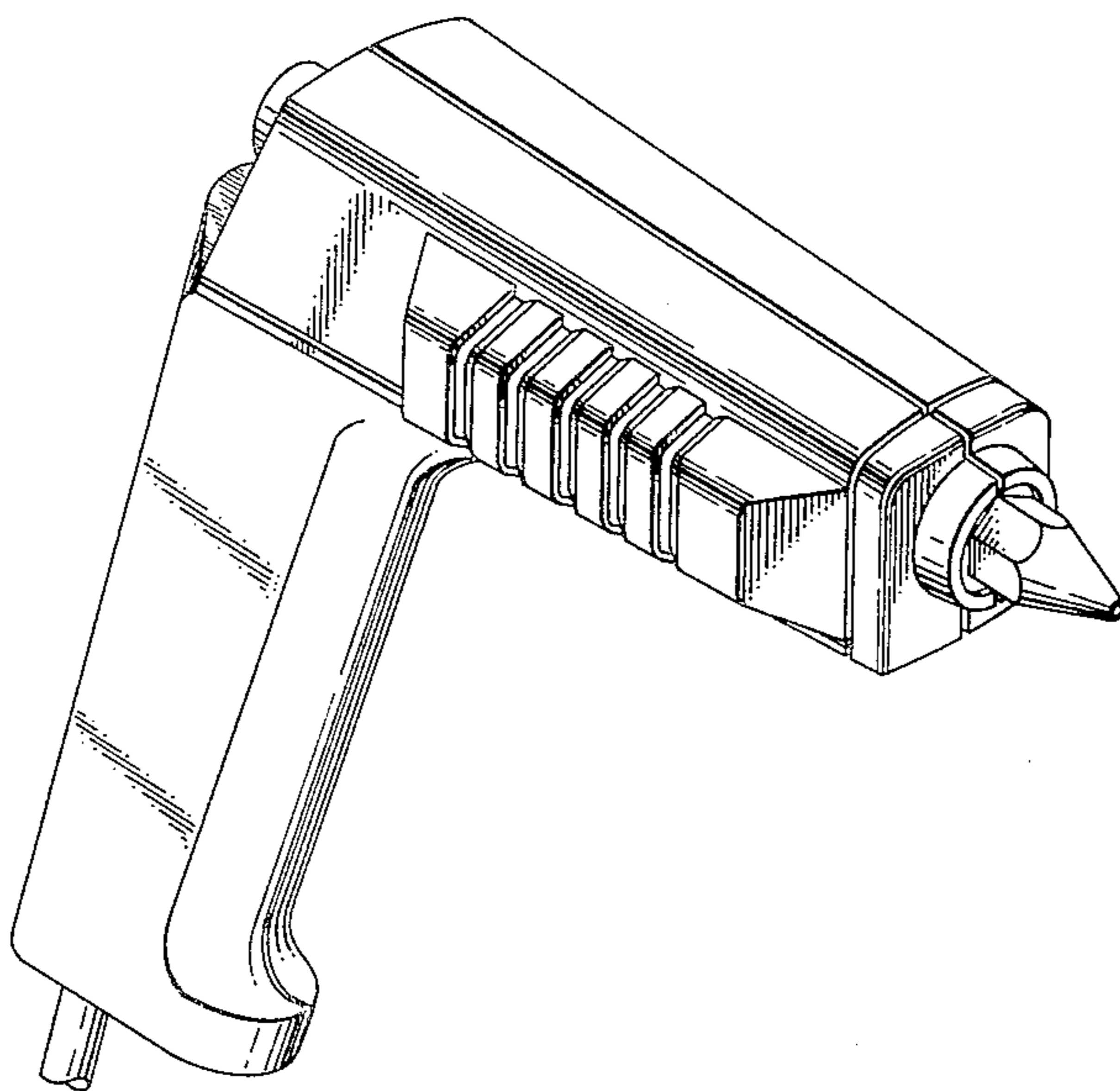
Primary Examiner—Susan J. Lucas
Assistant Examiner—C. E. Heflin

[57] CLAIM

The ornamental design for an electric glue gun, as shown and described.

DESCRIPTION

FIG. 1 is a right side elevation view of an electric glue gun showing my new design;
FIG. 2 is a left side elevation view thereof;
FIG. 3 is a front elevation view thereof;
FIG. 4 is a rear elevation view thereof;
FIG. 5 is a top plan view thereof;
FIG. 6 is a bottom plan view thereof;
FIG. 7 is a perspective view thereof.



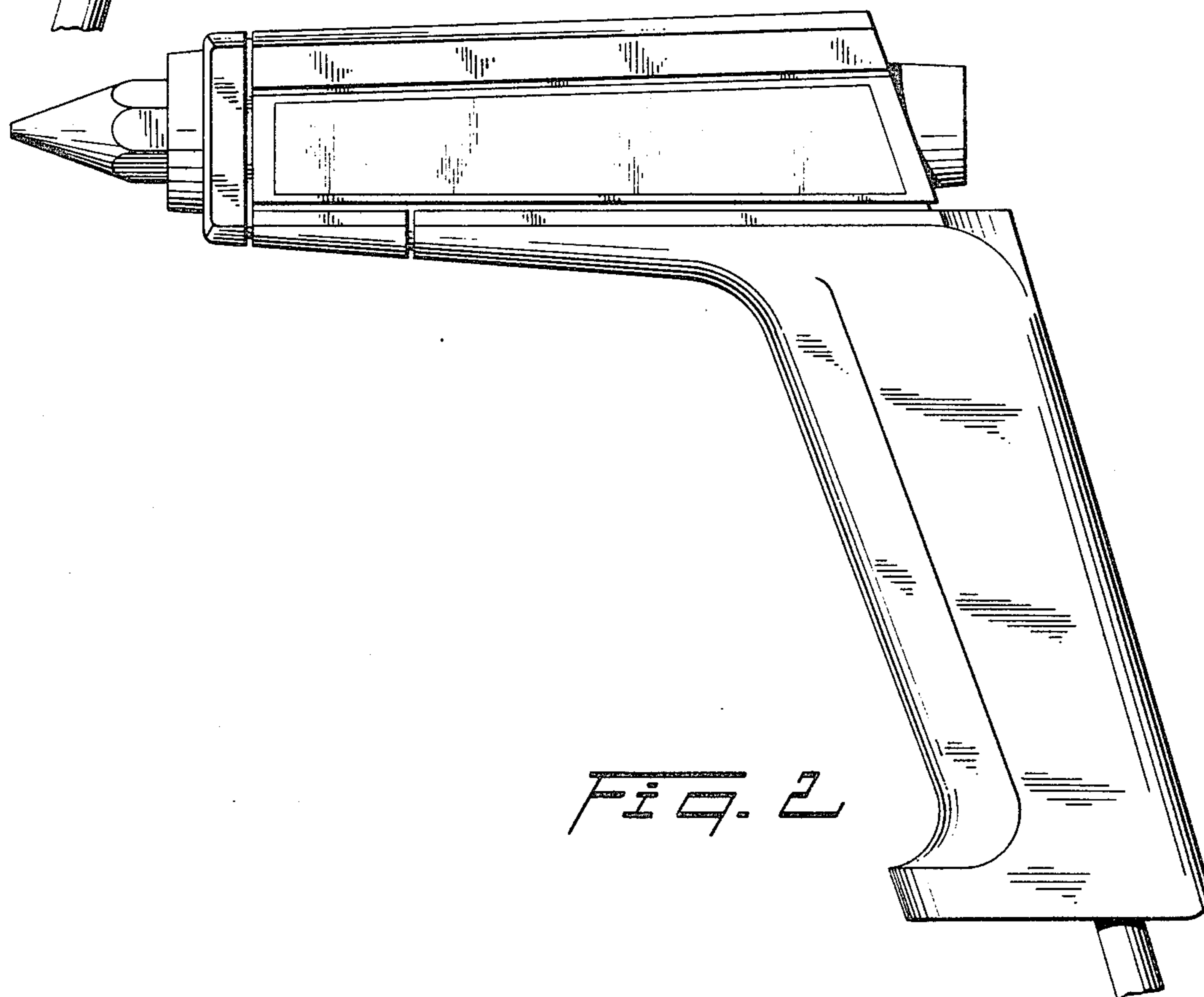
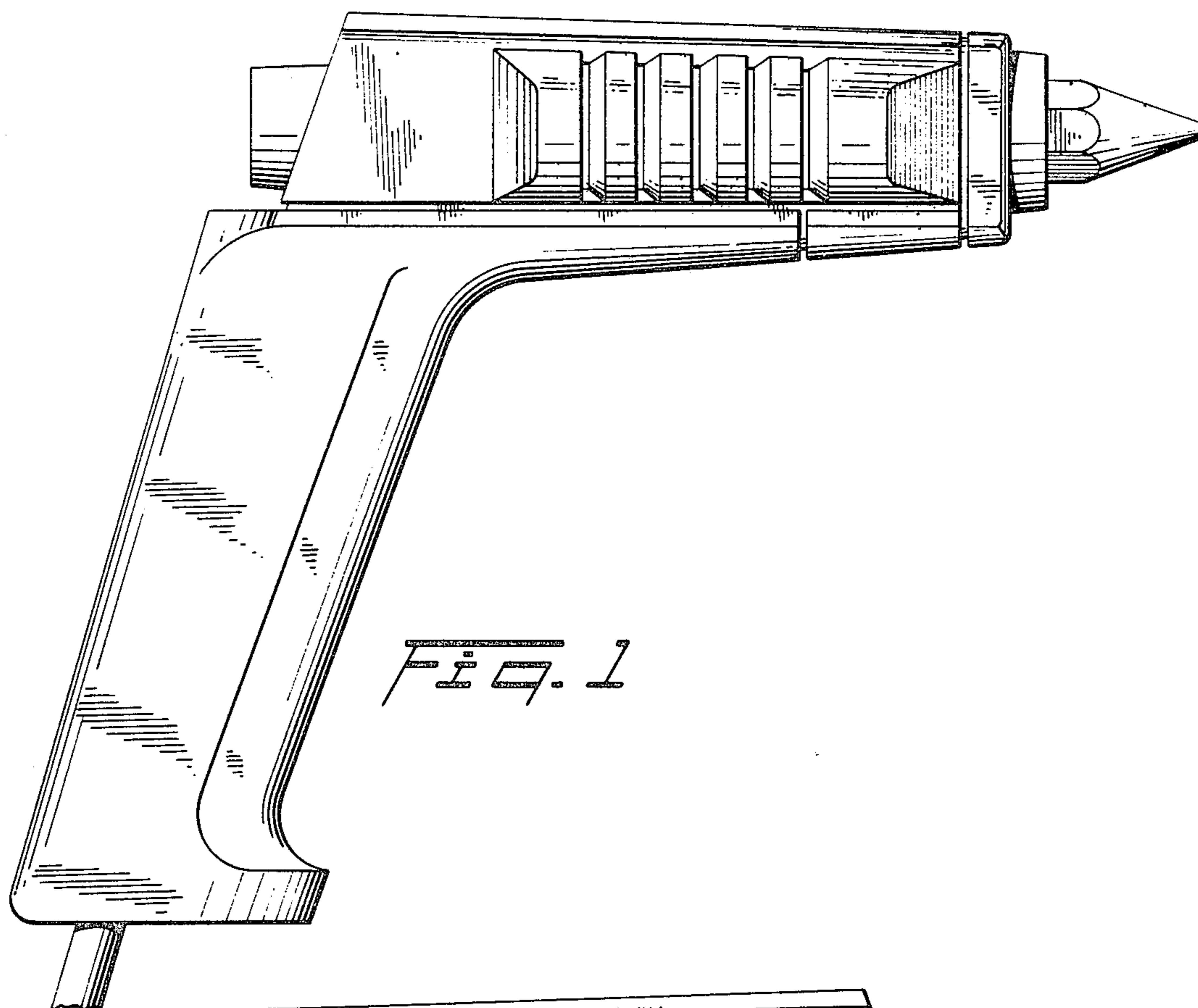


FIG. 3

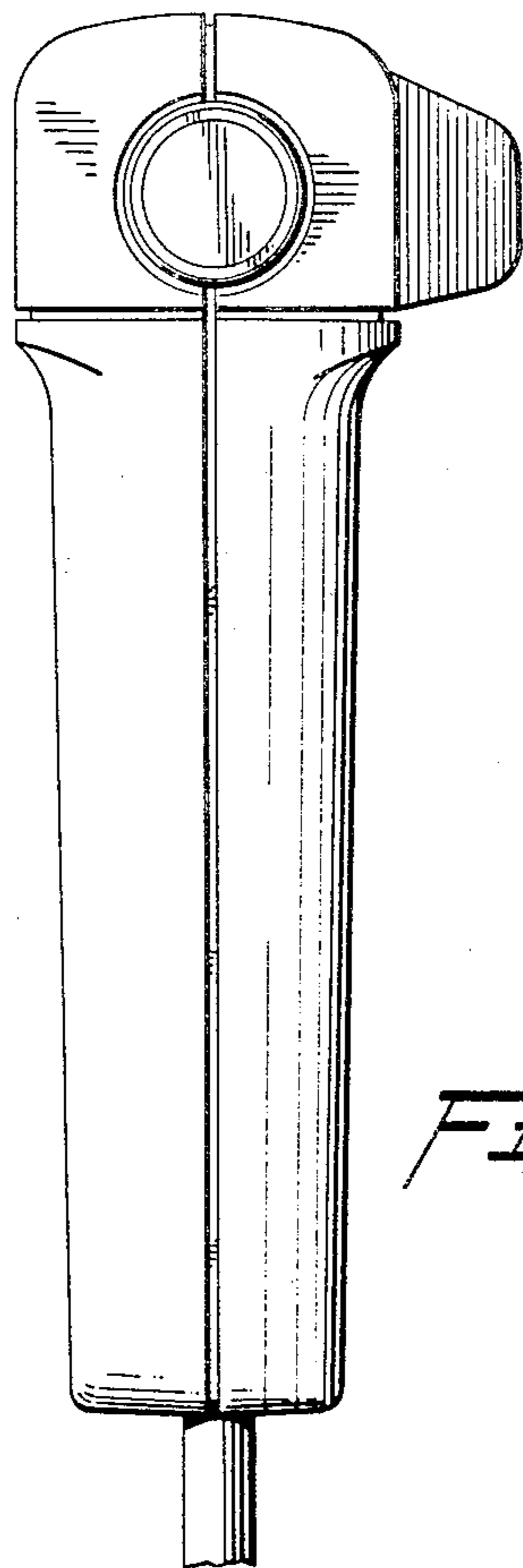
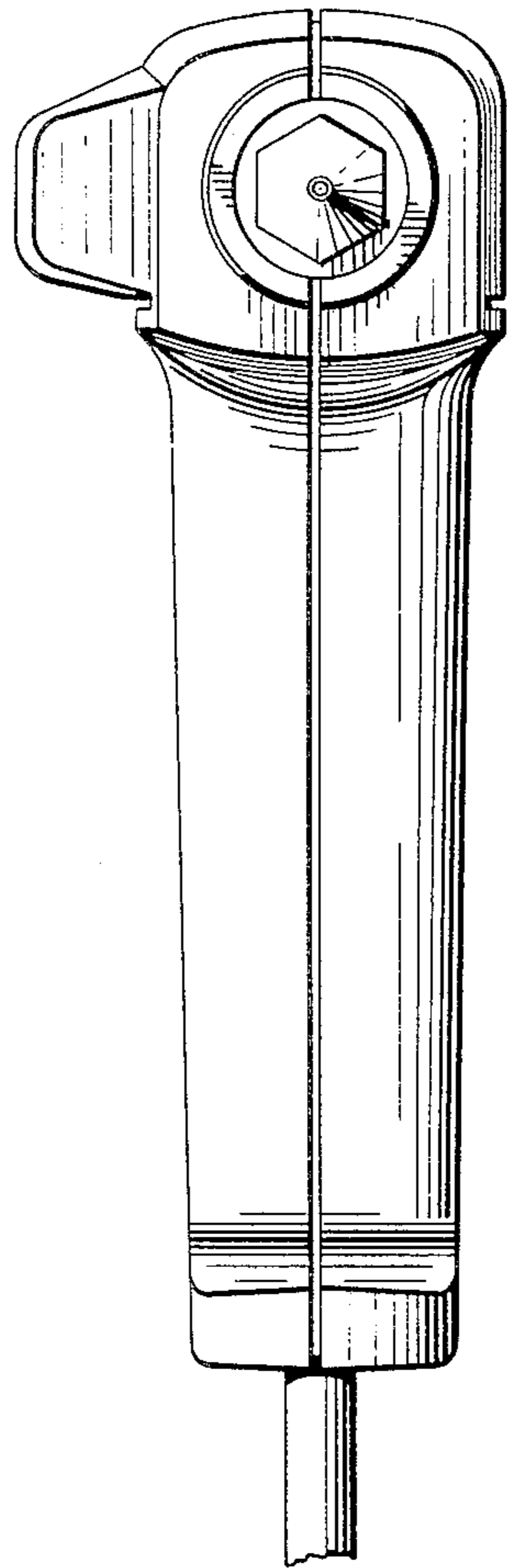


FIG. 4

FIG. 5

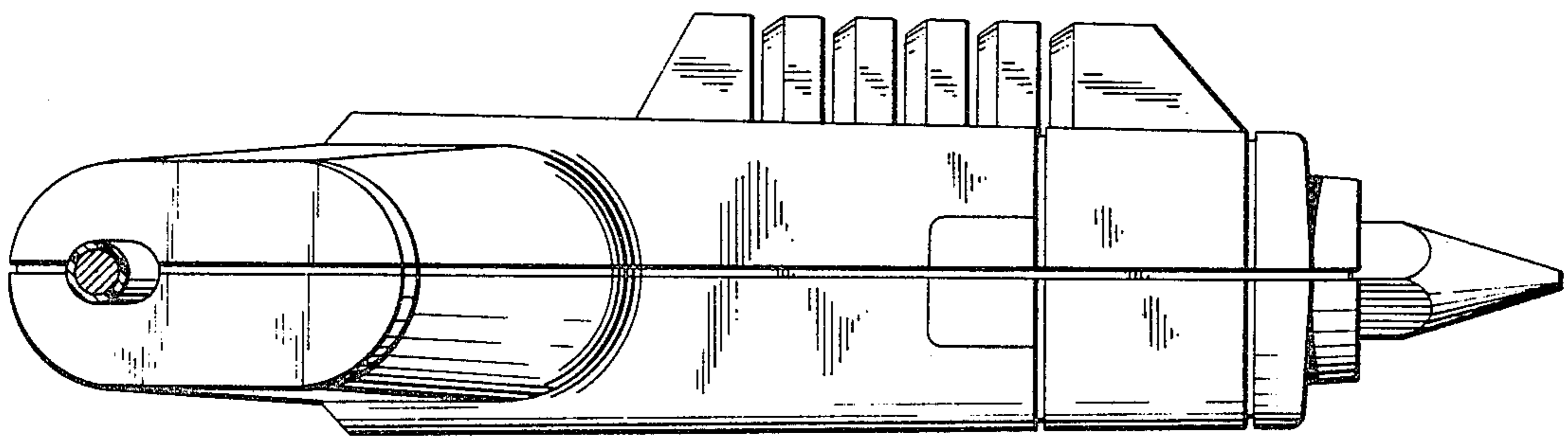
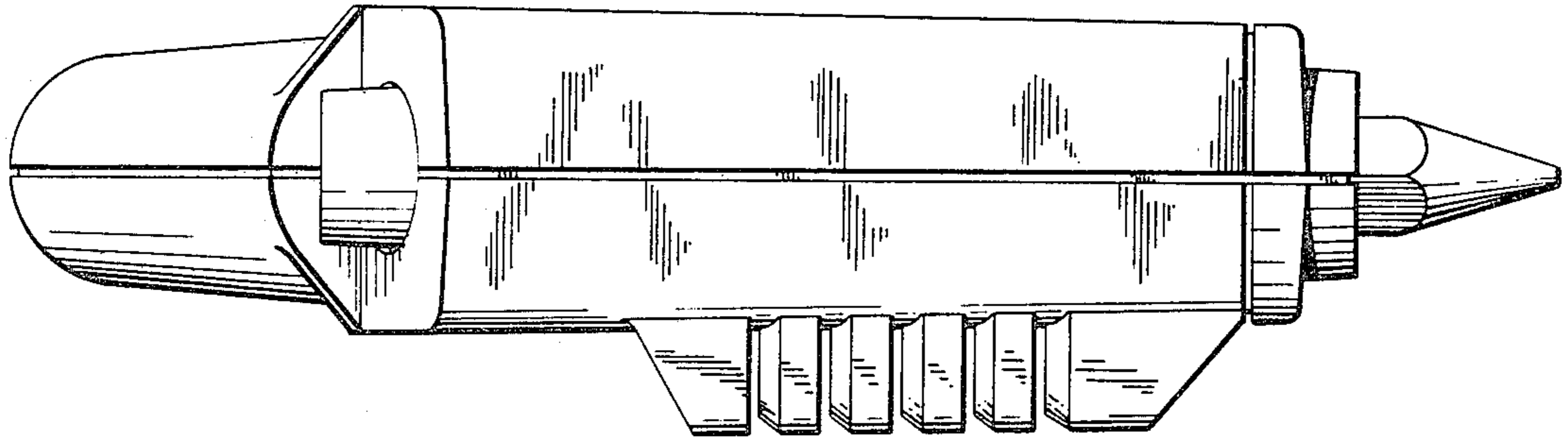


FIG. 6

Fig. 7

