

[54] **BOTTLE CLOSURE DEVICE**  
[76] Inventor: **Florian J. Gorski**, 11000 S. Central,  
Chicago Ridge, Ill. 60415  
[\*\*] Term: **14 Years**  
[21] Appl. No.: **549,503**  
[22] Filed: **Nov. 7, 1983**  
[52] U.S. Cl. .... **D8/40**  
[58] Field of Search ..... **D8/42; 81/3.1 B, 3.1 C,**  
**81/3.48**

2,738,577 3/1956 Uhrin ..... **D8/42 X**  
4,059,033 11/1977 Johnson ..... **81/3.1 B**

*Primary Examiner*—Bernard Ansher  
*Assistant Examiner*—Terry Pfeffer  
*Attorney, Agent, or Firm*—Conlon & Kerstein

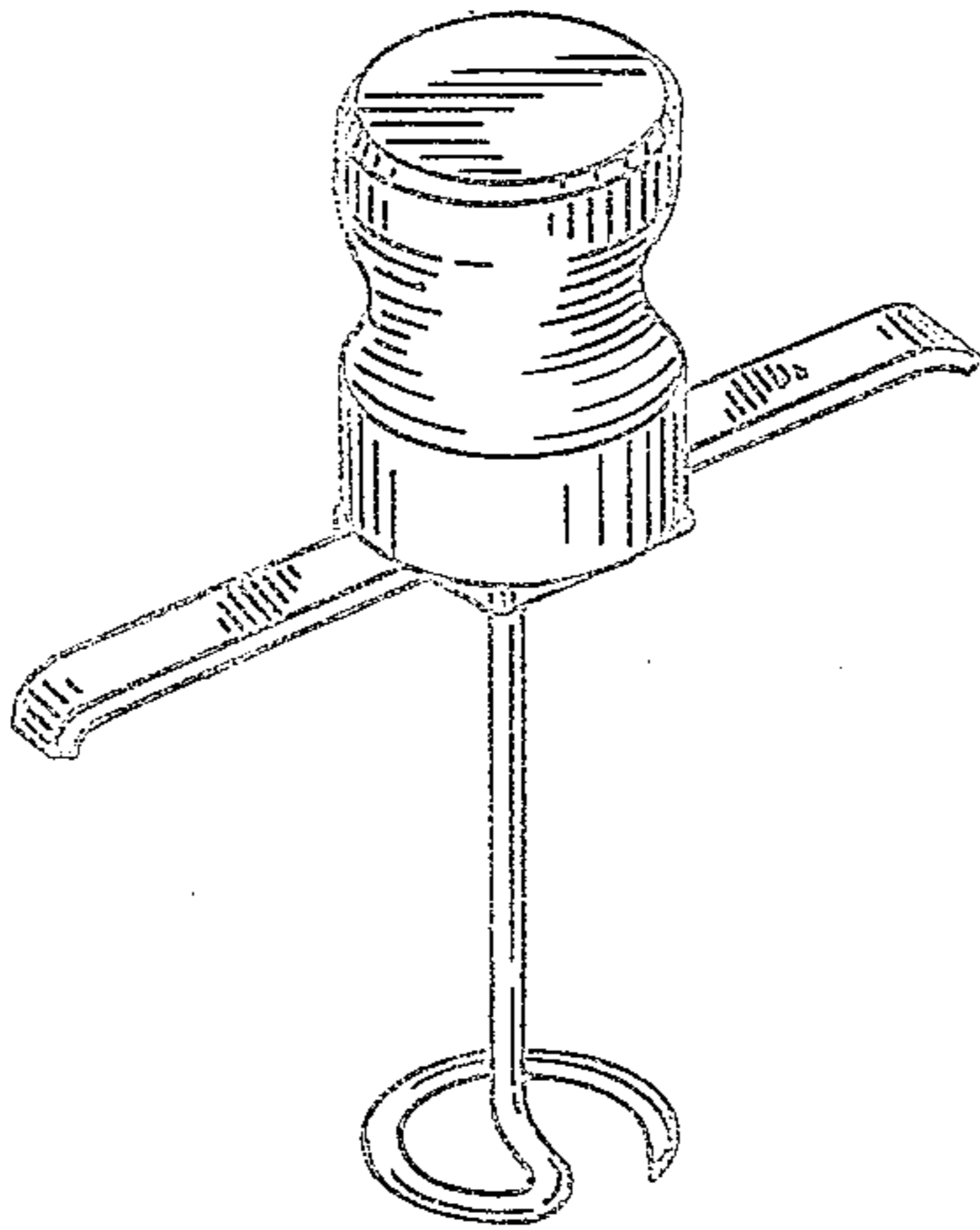
[57] **CLAIM**

The ornamental design for a bottle closure device, substantially as shown and described.

**DESCRIPTION**

FIG. 1 is a top perspective view of a bottle closure device, embodying my new design, FIG. 2 is a front view thereof, FIG. 3 is a side view thereof, FIG. 4 is a top view thereof, and FIG. 5 is a bottom view thereof.

[56] **References Cited**  
**U.S. PATENT DOCUMENTS**  
D. 73,406 9/1927 Guerris ..... **D8/42**  
D. 145,184 7/1946 Simpson ..... **81/3.1 C X**  
480,835 8/1892 Stanton ..... **D8/42 X**



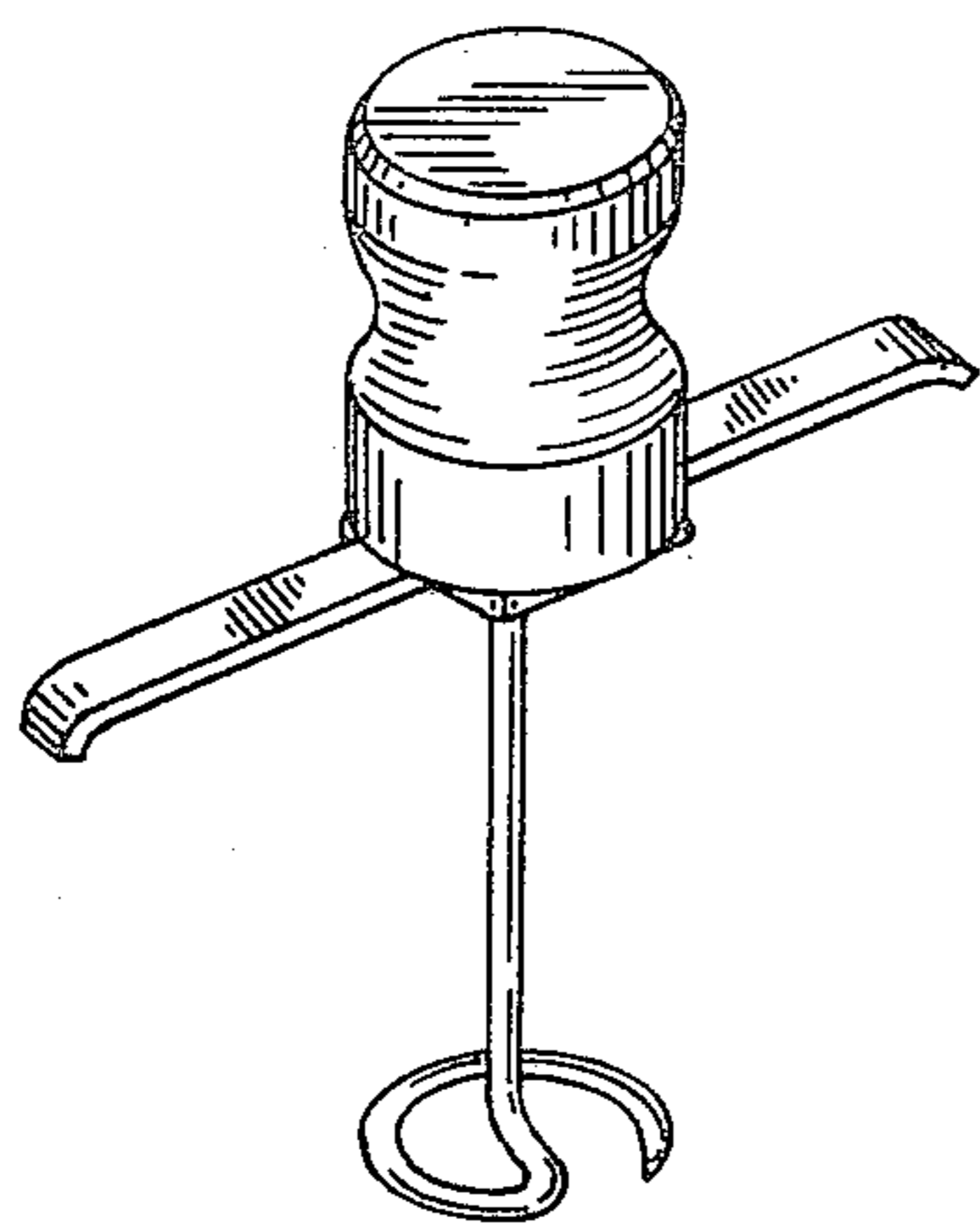


FIG. 1.

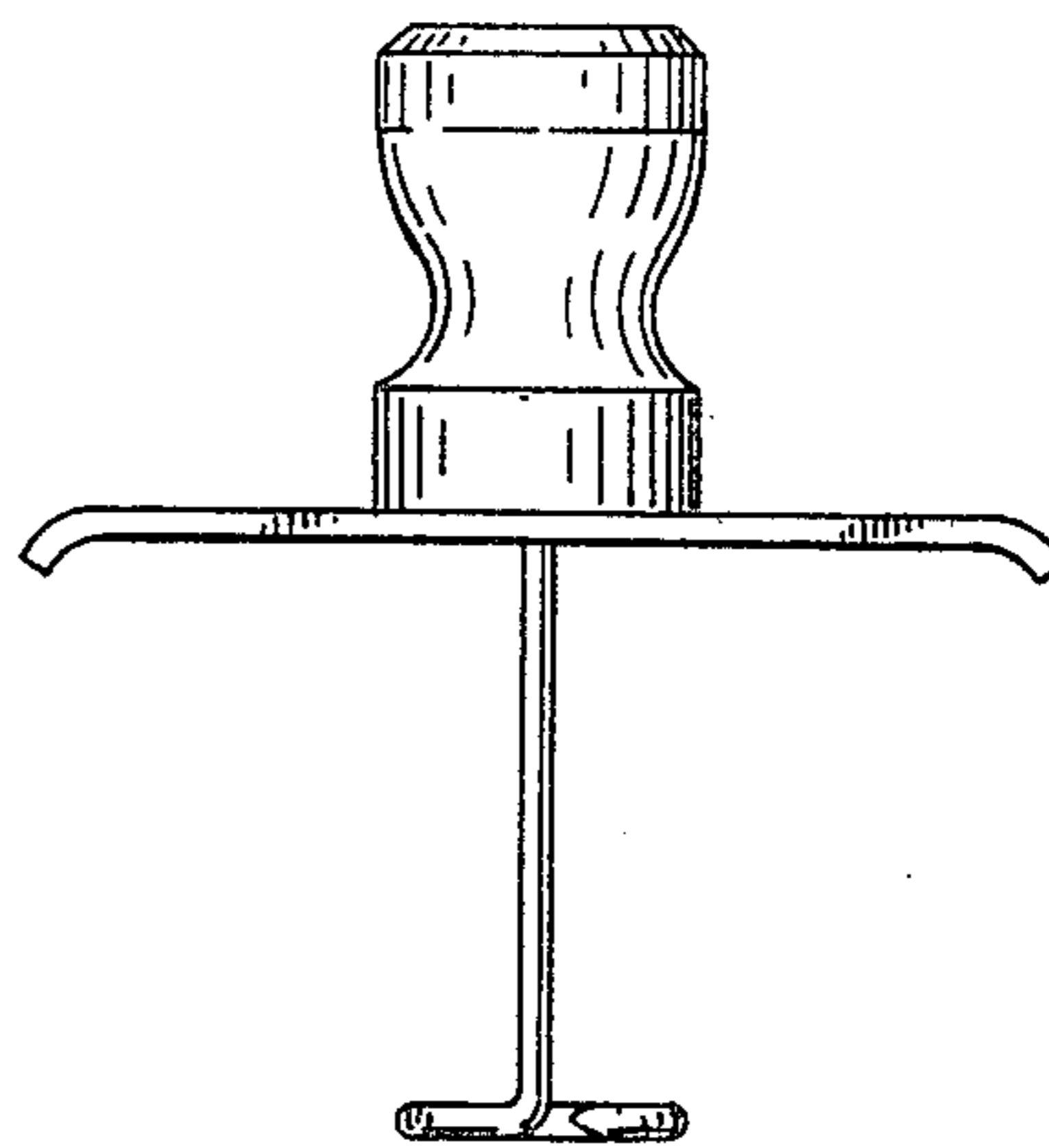


FIG. 2.



FIG. 4.

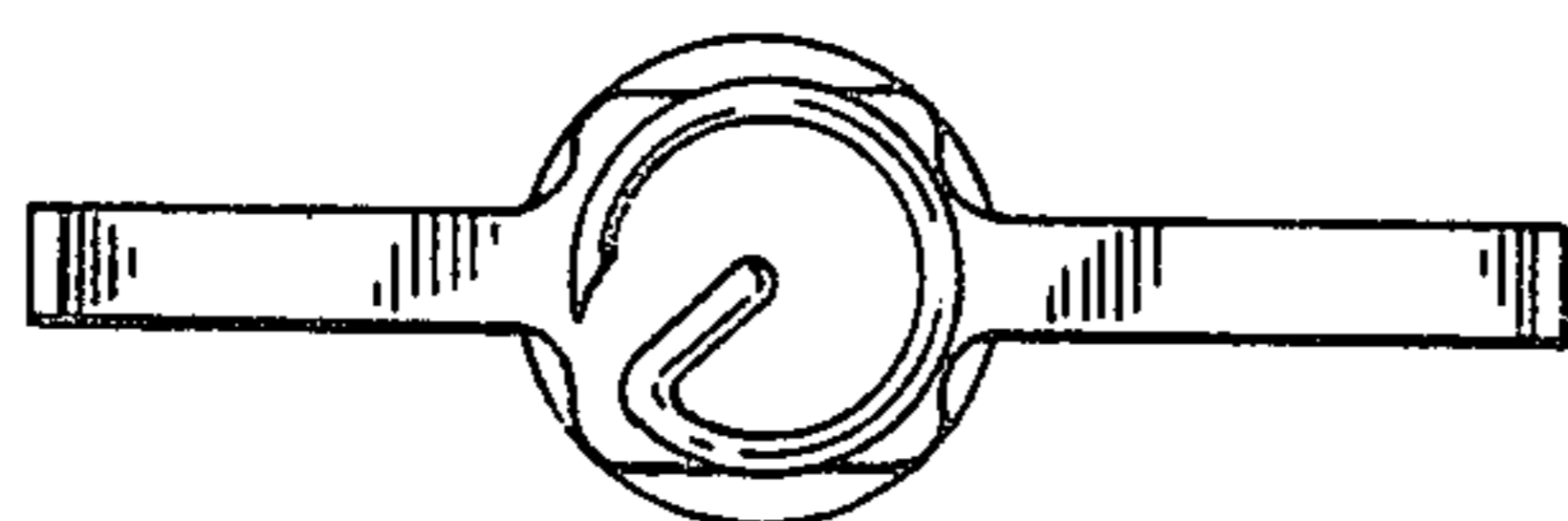


FIG. 5.

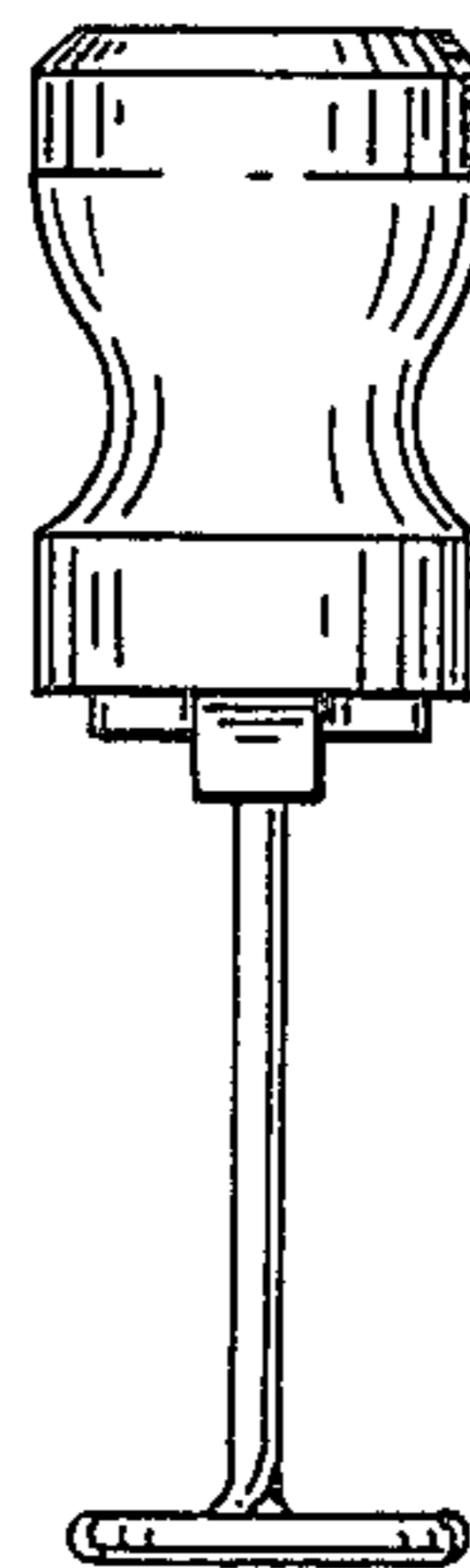


FIG. 3.