

[54] **RAKE**

[75] Inventor: **Walter Kolb**, Betzdorf, Fed. Rep. of Germany

[73] Assignee: **Wolf-Gerate GmbH**, Fed. Rep. of Germany

[\*\*] Term: **14 Years**

[21] Appl. No.: **383,154**

[22] Filed: **May 28, 1982**

[52] U.S. Cl. .... **D8/13**

[58] Field of Search ..... **D8/13, 11; 56/400.01, 56/400.11, 400.21; 172/378, 371, 380, 381**

2,561,336 7/1951 Bucsko et al. .... 172/371

**FOREIGN PATENT DOCUMENTS**

137814 6/1947 Australia ..... 172/381

1249160 11/1960 France ..... 56/400.01

459918 1/1937 United Kingdom ..... 172/378

**OTHER PUBLICATIONS**

Item 18, Hand Rake, p. 61, Hardware Age, May 3, 1962; Union Fork & Hoe No. GT-55.

*Primary Examiner*—Wallace R. Burke  
*Assistant Examiner*—Horace B. Fay  
*Attorney, Agent, or Firm*—Ostrolenk, Faber, Gerb & Soffen

[56] **References Cited**  
**U.S. PATENT DOCUMENTS**

D. 35,445 12/1901 Kingsbury ..... D8/13

D. 164,372 8/1951 Lewis ..... D7/395

460,157 9/1891 Osborne ..... 172/378

923,629 1/1909 Dalpay ..... D8/13

1,005,152 10/1911 Carlock ..... 172/378

1,477,302 12/1923 Swartz ..... D8/13

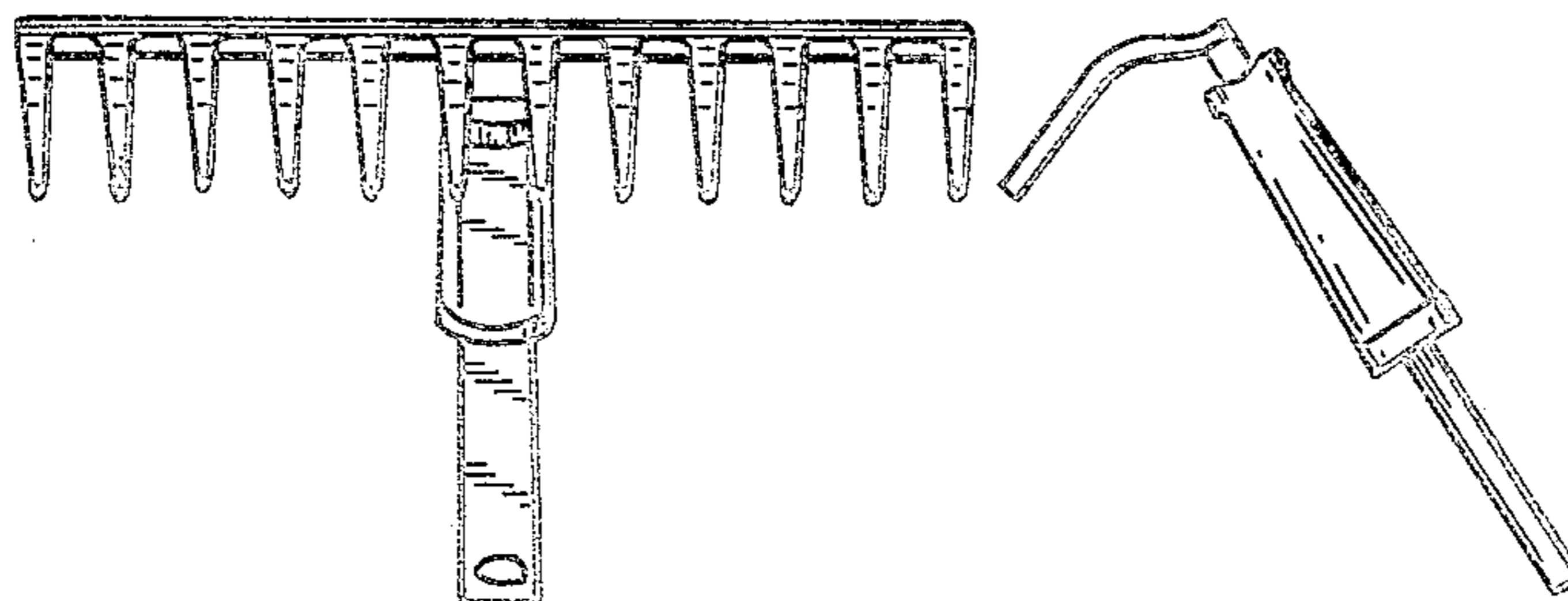
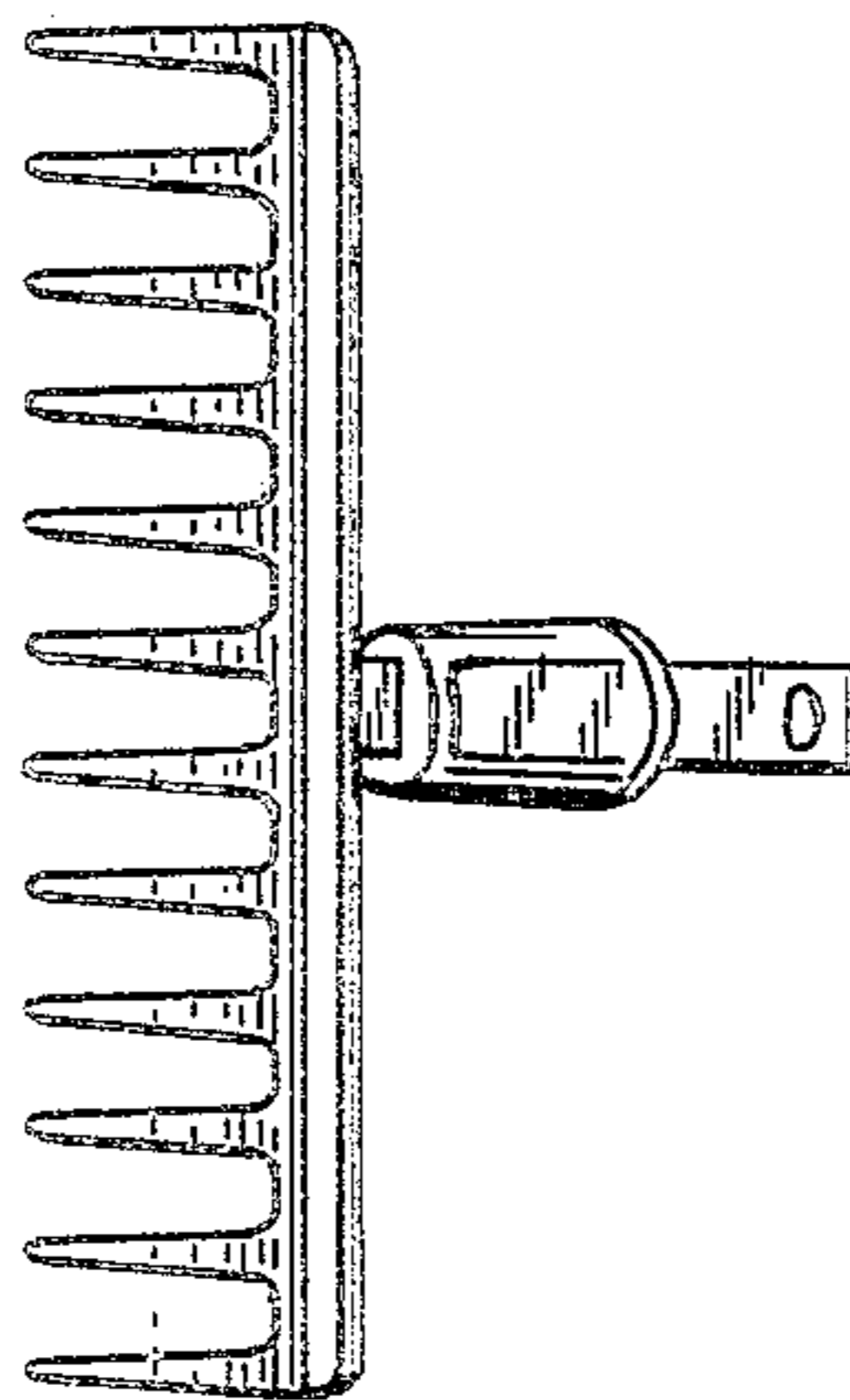
1,666,374 4/1928 Gatti ..... 172/380

2,196,129 4/1940 Swisher ..... 172/378

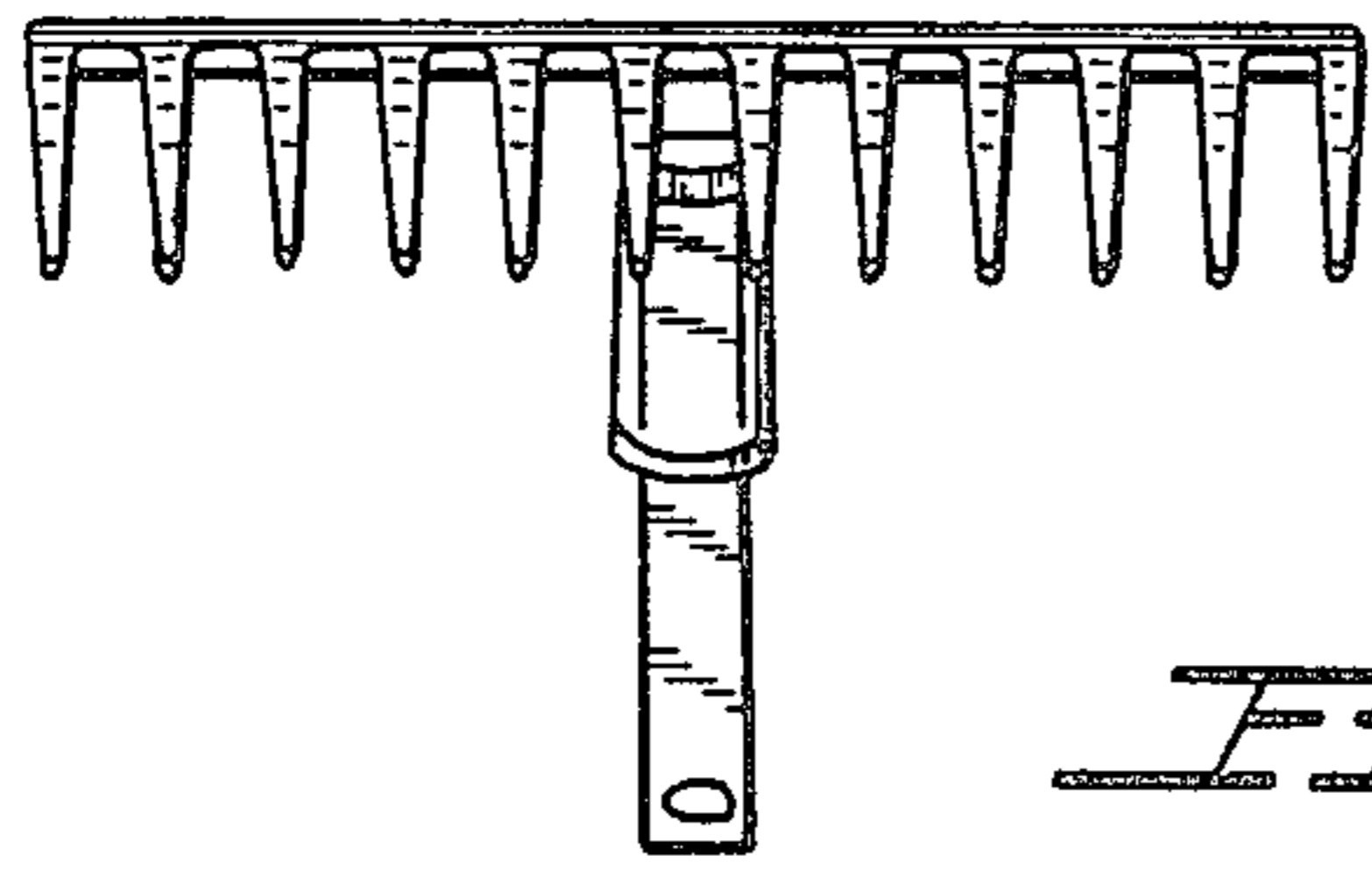
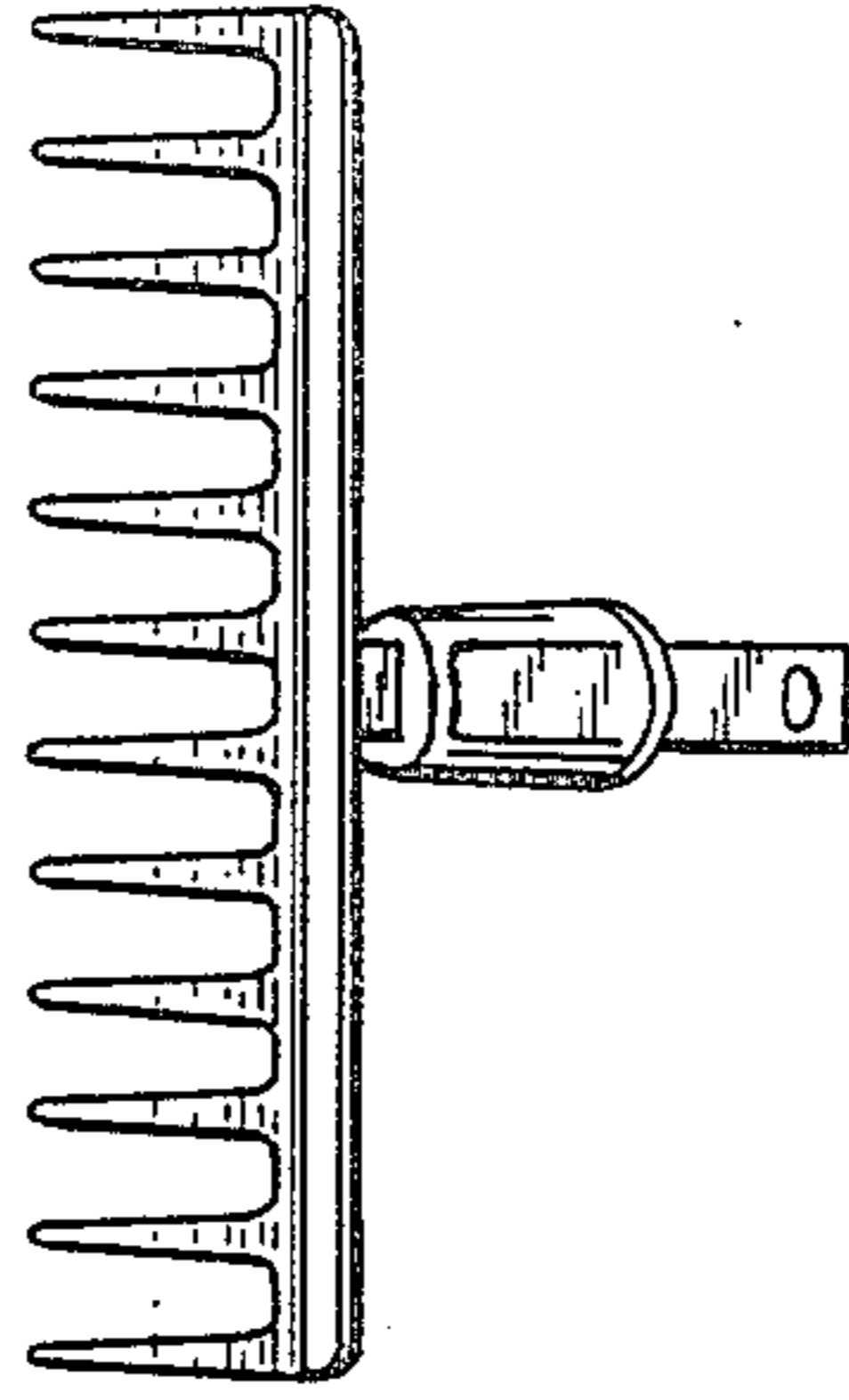
[57] **CLAIM**  
 The ornamental design for a rake, as shown.

**DESCRIPTION**

FIG. 1 is a top view of a rake showing my new design;  
 FIG. 2 is a bottom view thereof;  
 FIG. 3 is a front view thereof;  
 FIG. 4 is a rear view thereof;  
 FIG. 5 is a left side view thereof; and  
 FIG. 6 is a right side view thereof.

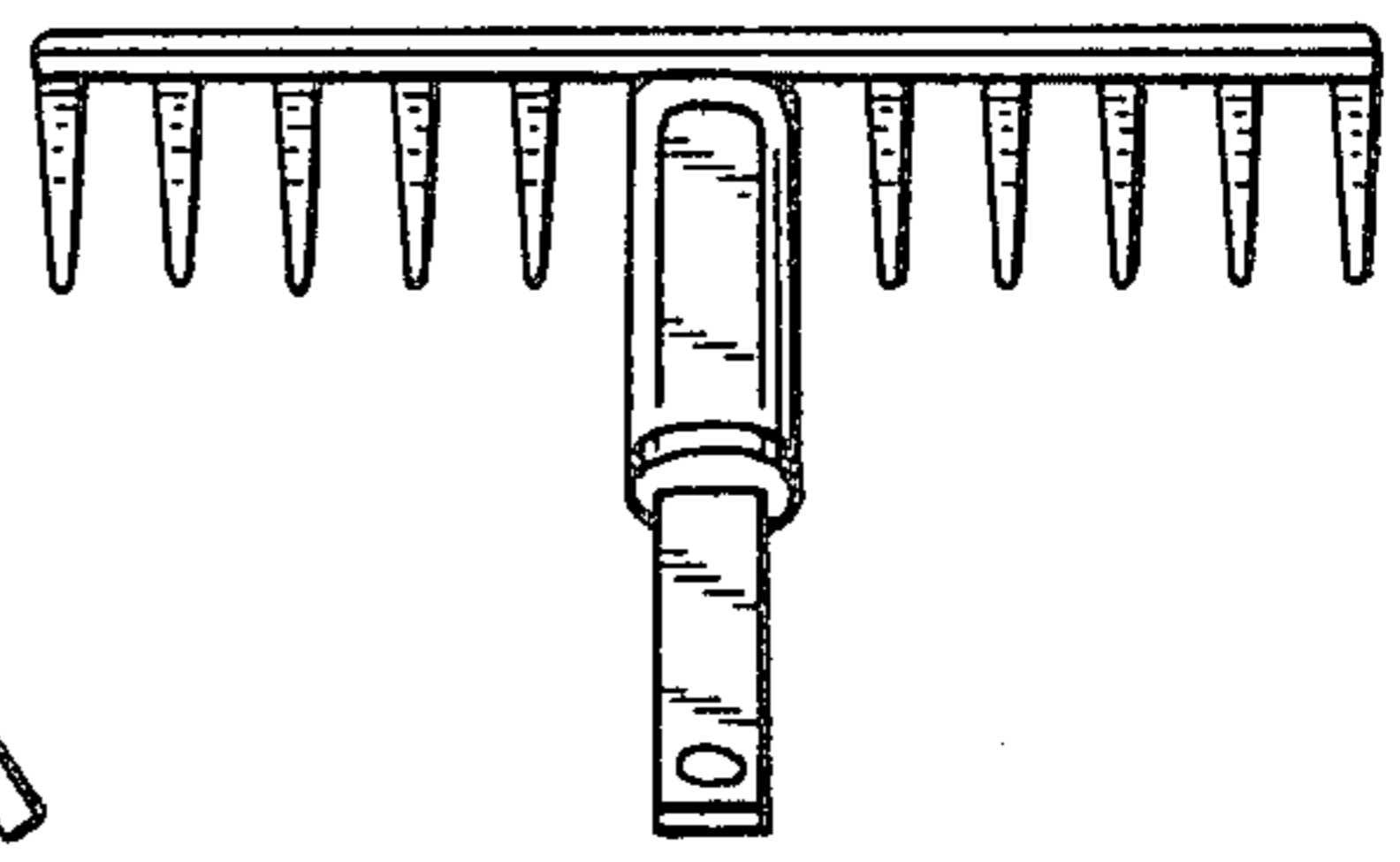
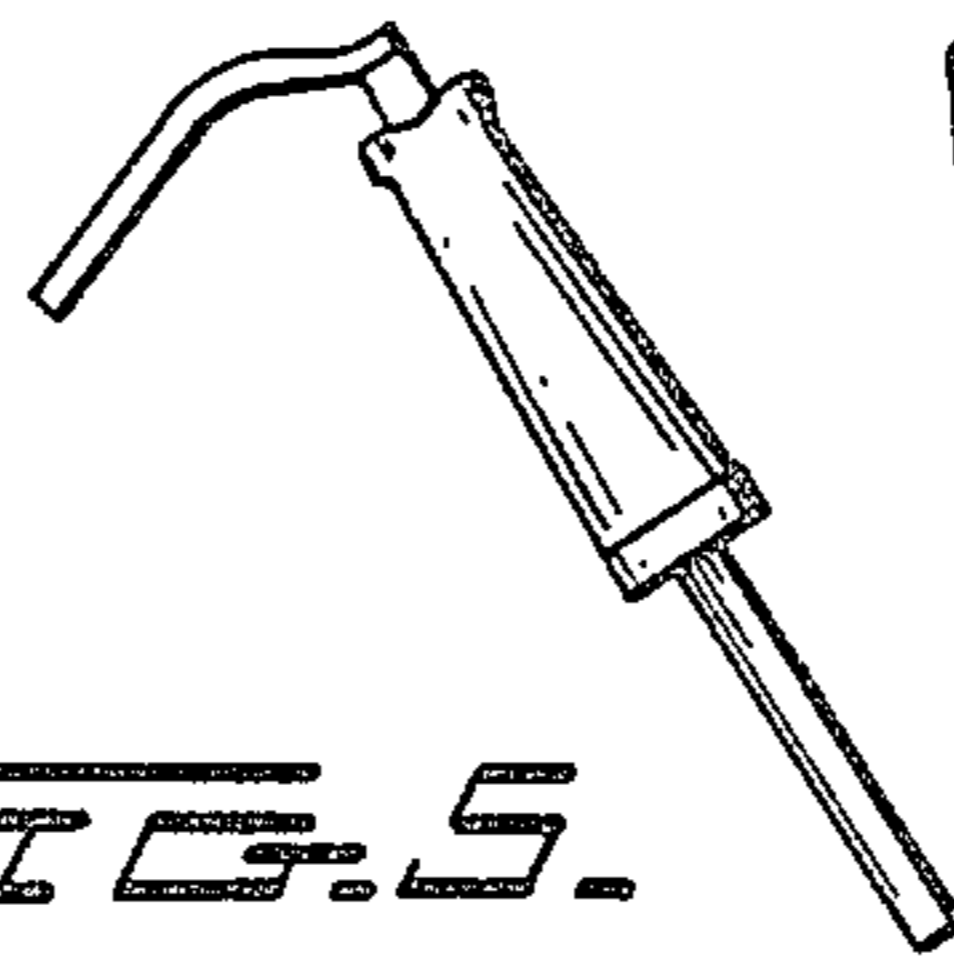


*FIG. 1.*



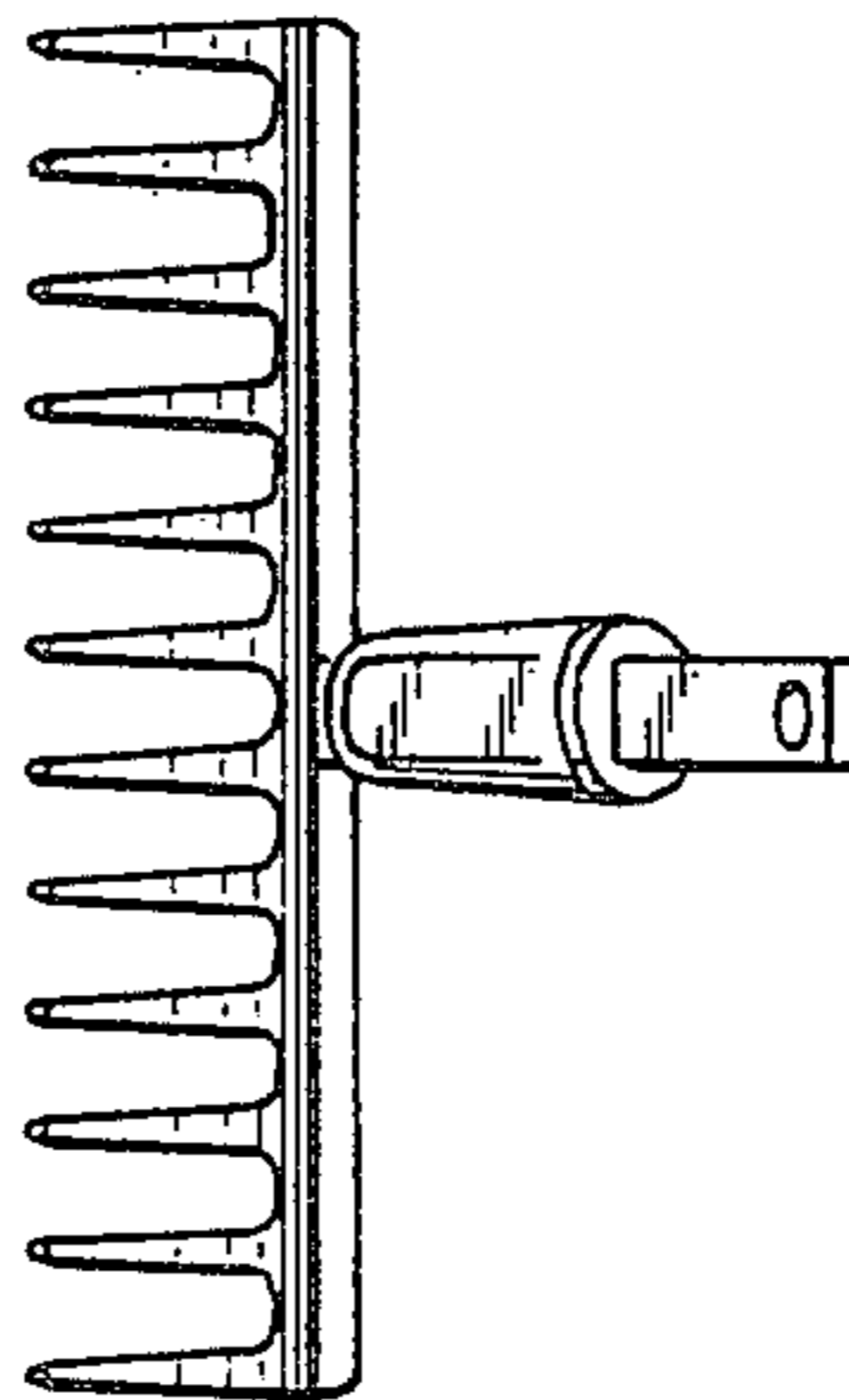
*FIG. 3.*

*FIG. 5.*



*FIG. 4.*

*FIG. 2.*



*FIG. 6.*

