

[54] **ARTICLE DISPLAY BRACKET**
 [75] Inventor: **Wilma R. Beach**, Rhinebeck, N.Y.
 [73] Assignee: **Daniel E. Gelles Associates, Inc.**,
 New York, N.Y.
 [**] Term: **14 Years**
 [21] Appl. No.: **498,068**
 [22] Filed: **May 25, 1983**
 [52] U.S. Cl. **D6/572; D6/574**
 [58] **Field of Search** **D6/300, 308, 310, 314,**
D6/319, 419-420, 429-431, 444, 446, 448, 450,
451, 470, 509-512, 524, 522, 523, 528, 531, 535,
546, 549, 552-553, 555, 559-563, 566-574;
D8/373; 248/447.1, 459, 441.1, 295.1, 243, 244,
300, 473, 469, 466; 211/26, 60.1, 70.1, 70.6,
70.8, 72, 73, 87, 88, 89, 90, 112, 126, 134, 135,
153; 108/25, 26.2, 29, 30, 42, 59, 137, 138, 144,
151, 152

D. 239,899 5/1976 Malcolm D6/419
 D. 252,000 6/1979 Smith, III D6/574
 955,734 4/1910 Wolkerstofer D6/570
 1,586,854 6/1926 Stansfield 211/171
 2,141,008 12/1938 Meyer 211/134
 2,309,769 2/1943 Hubbard 248/295.1
 3,371,961 3/1968 Colgan 248/295.1

OTHER PUBLICATIONS

SP Industries, Inc., 1980, p. 6, Pair Displayers (10) #AC122904.

Primary Examiner—B. J. Bullock
Assistant Examiner—Suzanne N. Gitlin
Attorney, Agent, or Firm—Albert F. Kronman

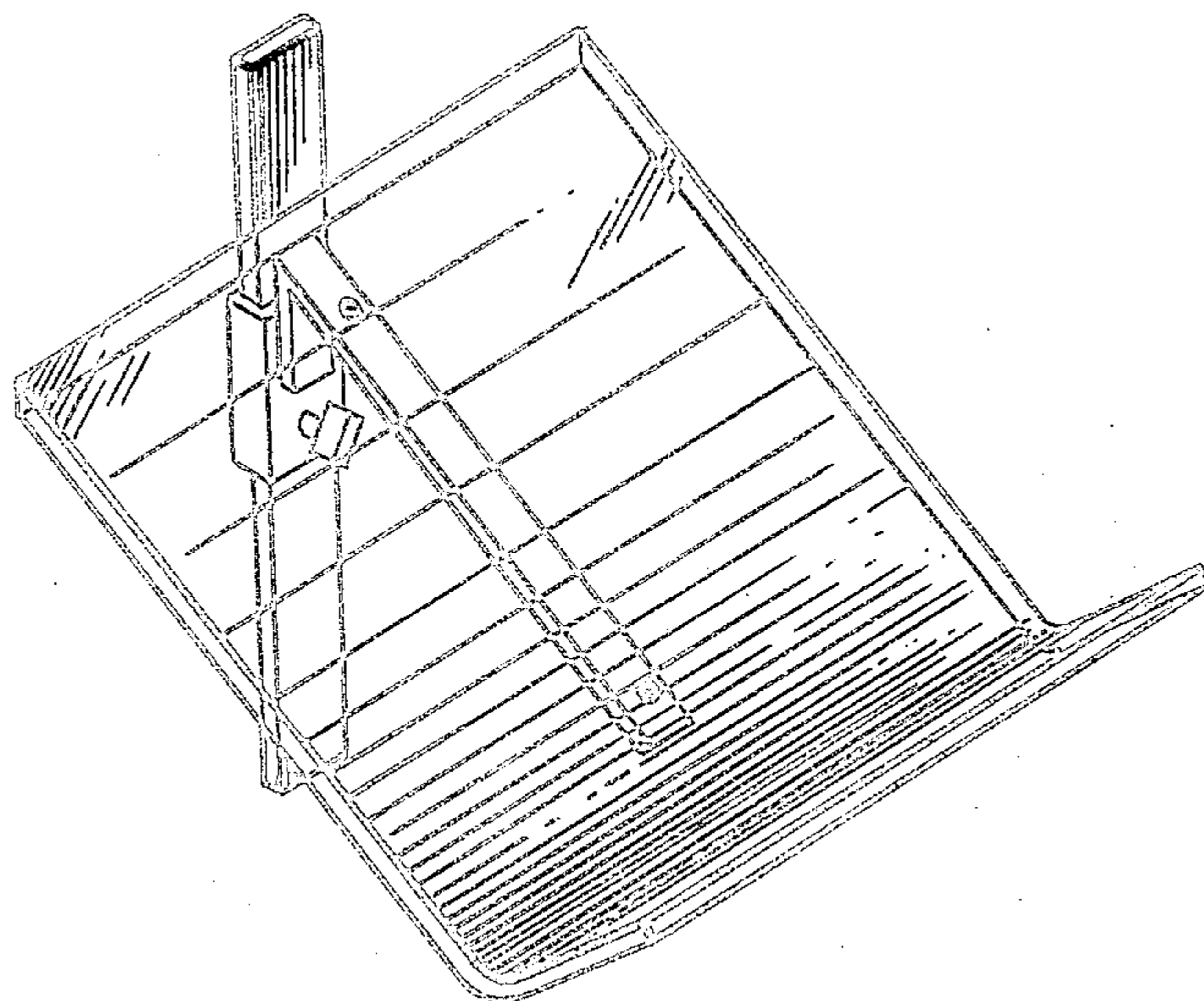
[57] **CLAIM**

The ornamental design for an article display bracket, substantially as shown and described.

DESCRIPTION

FIG. 1 is an isometric view of an article display bracket showing my new design;
 FIG. 2 is a front elevational view thereof;
 FIG. 3 is a side elevational view thereof;
 FIG. 4 is a bottom plan view thereof.

[56] **References Cited**
U.S. PATENT DOCUMENTS
 D. 225,707 1/1973 Brozen D6/574



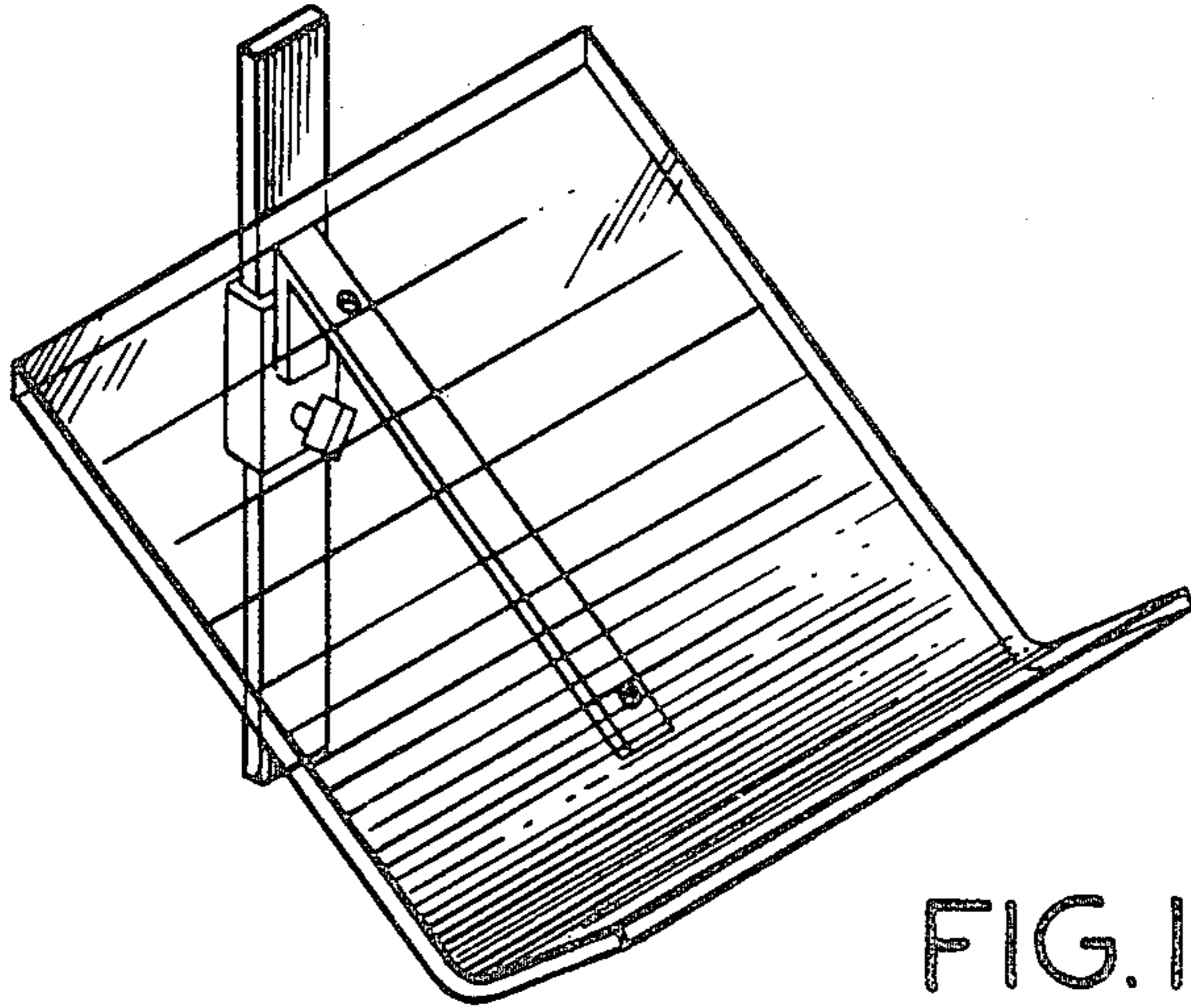


FIG. 1

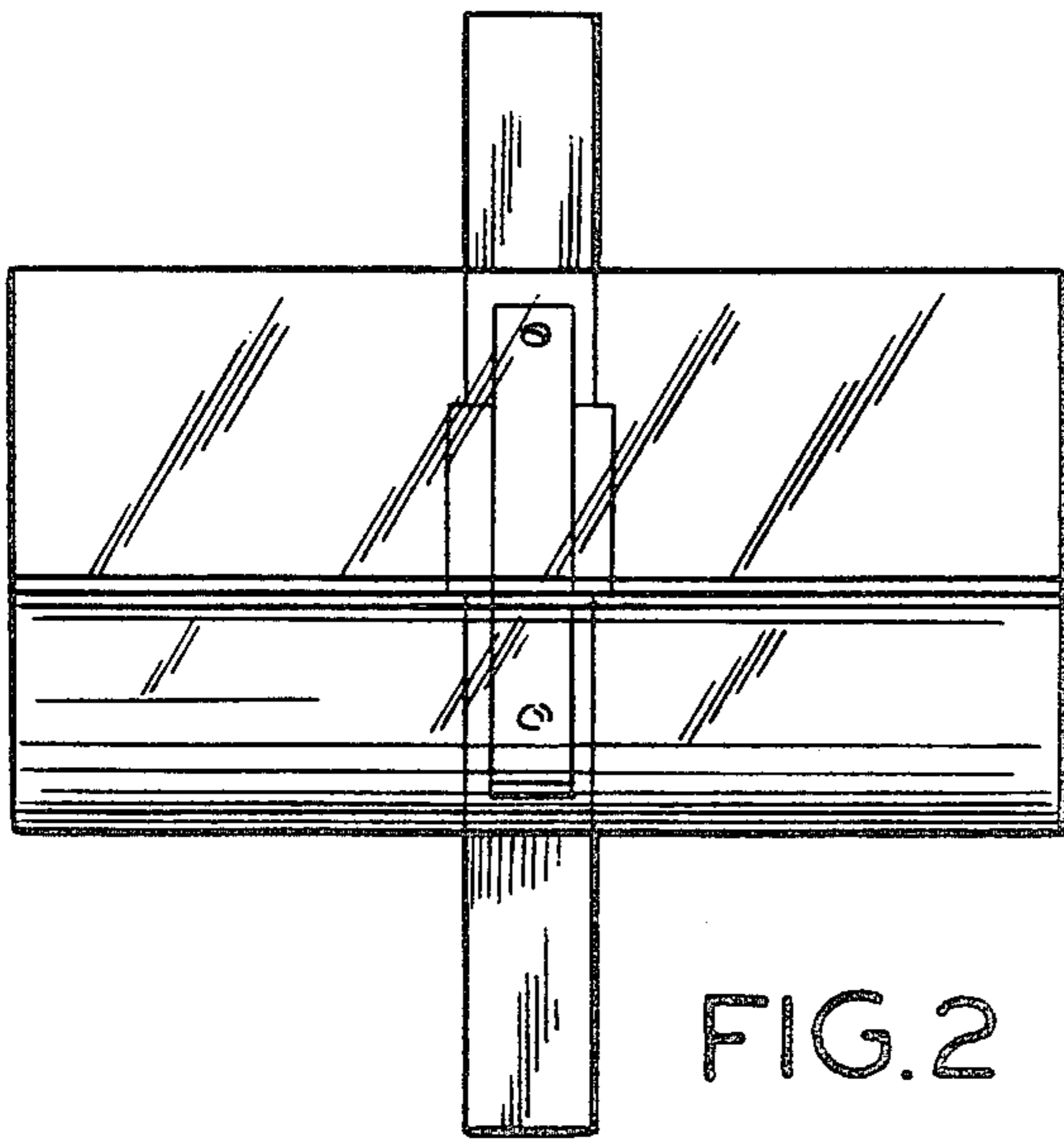


FIG. 2

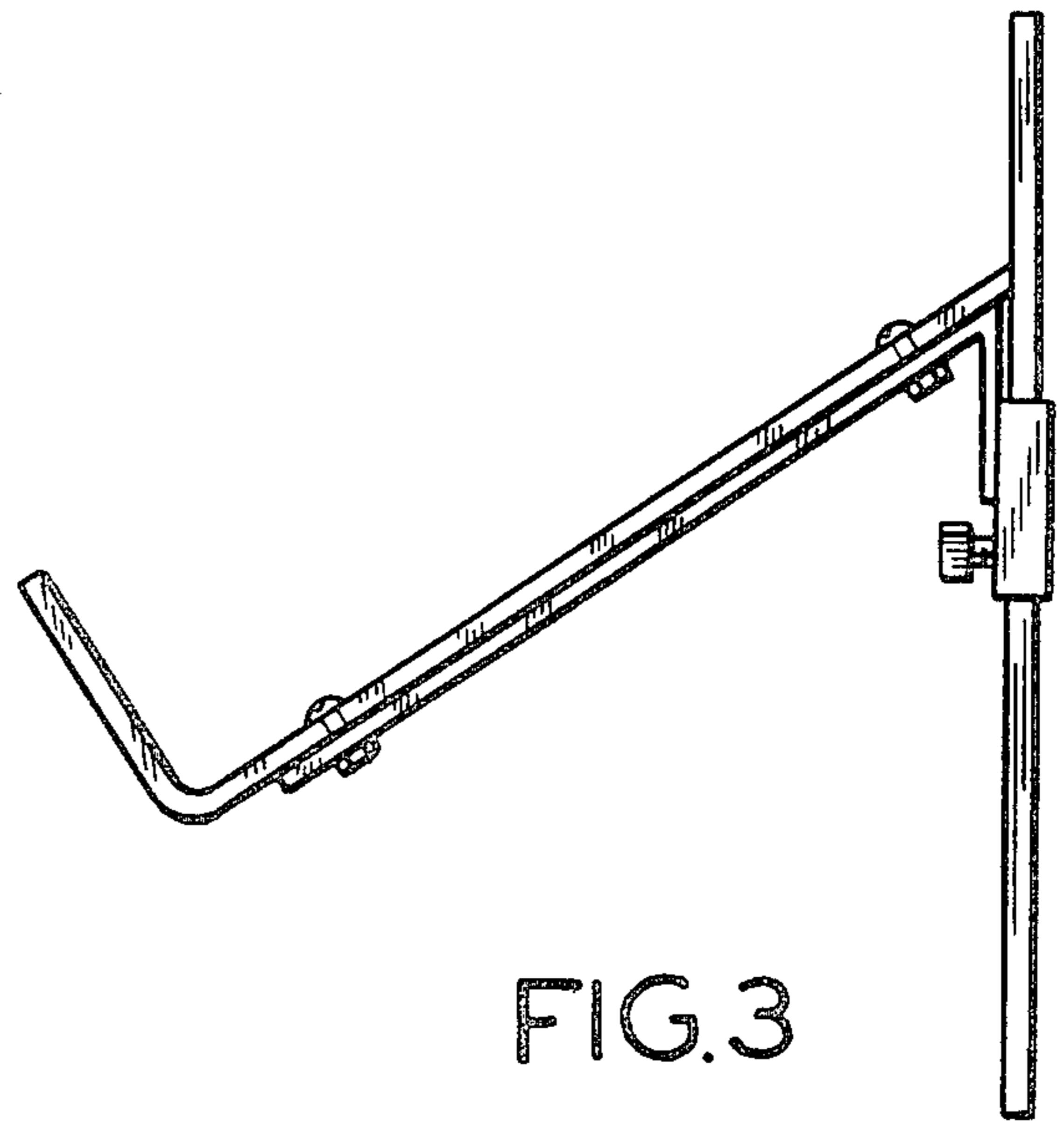


FIG. 3

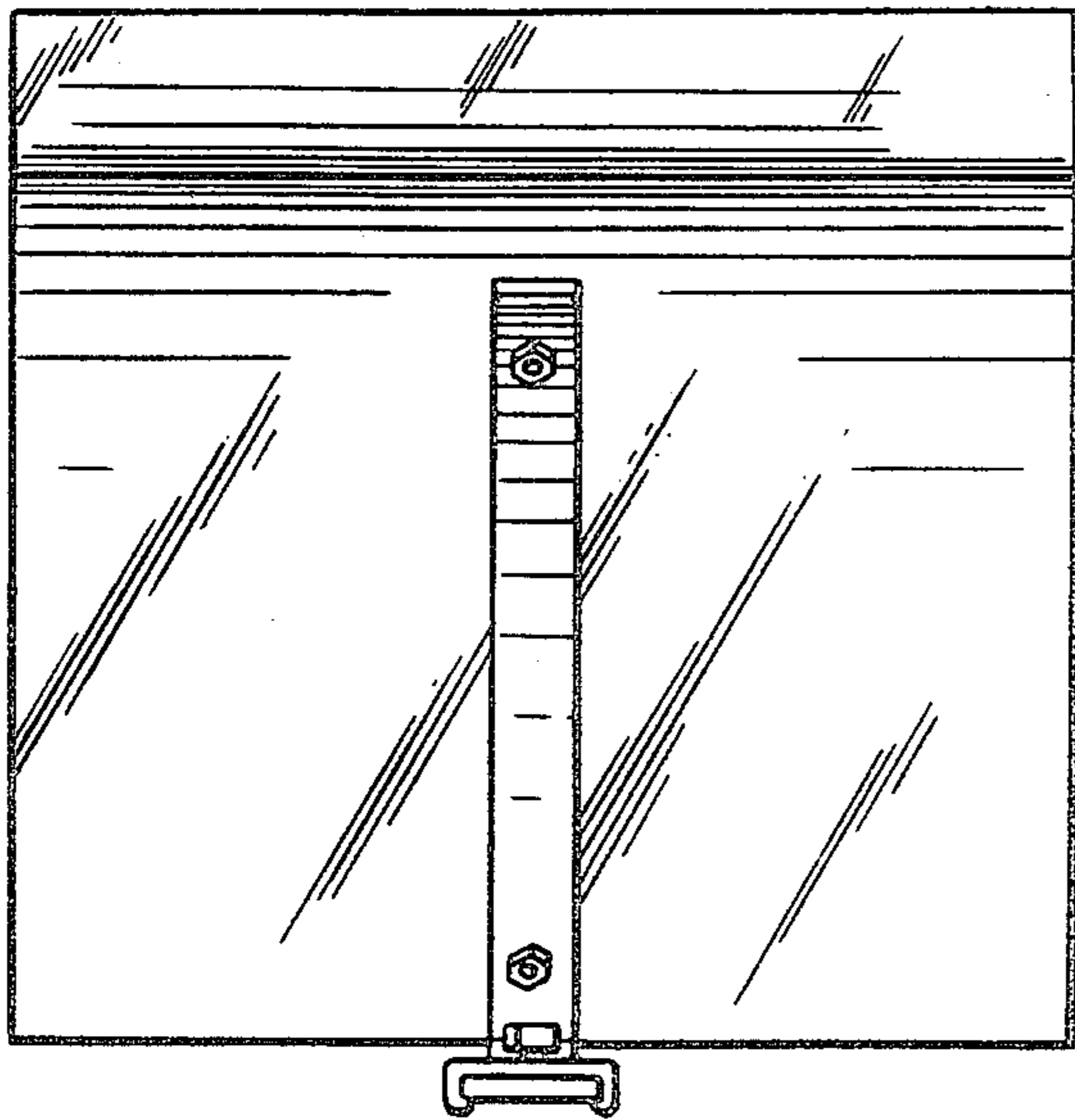


FIG. 4