

[54] **CHAIR**

[76] **Inventor: Charles A. Gibilterra, 12722 Tyson Pl., Granada Hills, Calif. 91344**

[**] **Term: 14 Years**

[21] **Appl. No.: 462,947**

[22] **Filed: Mar. 15, 1983**

[52] **U.S. Cl. D6/362**

[58] **Field of Search D6/334, 362, 379**

[56] **References Cited**

U.S. PATENT DOCUMENTS

- D. 56,169 8/1920 Jones et al. D6/362 X
- D. 189,642 1/1961 Hess D6/379
- D. 248,524 7/1978 Gabourie D6/379
- D. 260,065 8/1981 Petersen D6/379

- D. 273,249 4/1984 Petitt D6/366
- D. 273,640 5/1984 Petitt D6/366

Primary Examiner—Bruce W. Dunkins
Attorney, Agent, or Firm—Donald D. Mon

[57] **CLAIM**

The ornamental design for a chair, as shown and described.

DESCRIPTION

FIG. 1 is a right hand elevation of the chair according to the invention, the reverse side being the mirror image thereof; and

FIG. 2 is a front view of FIG. 1;

FIG. 3 is a rear view of FIG. 1; and

FIG. 4 is a top plan view of FIG. 1.

The dot-dash lines used to show a base member are for illustrative purposes only.

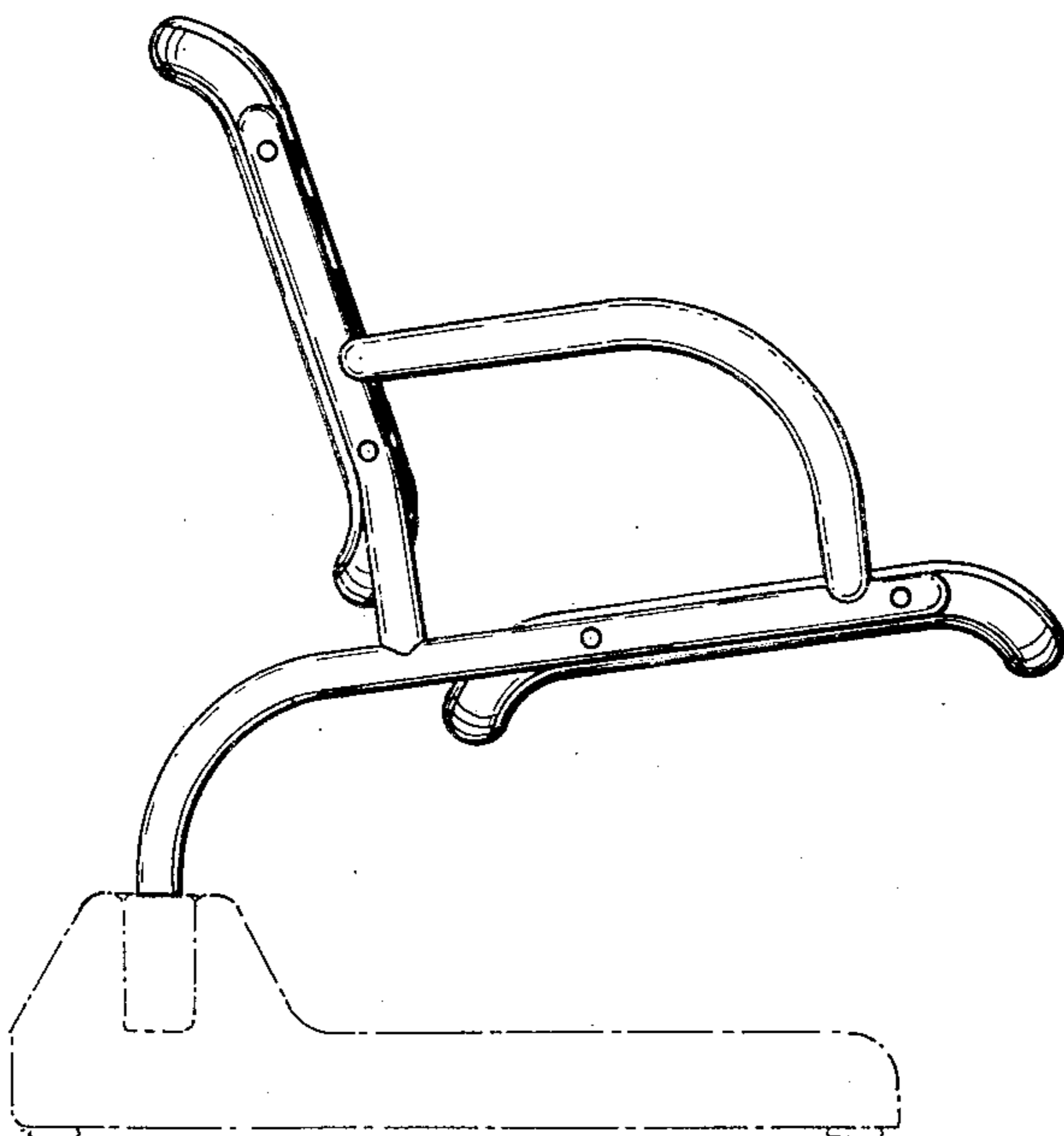


FIG. 2

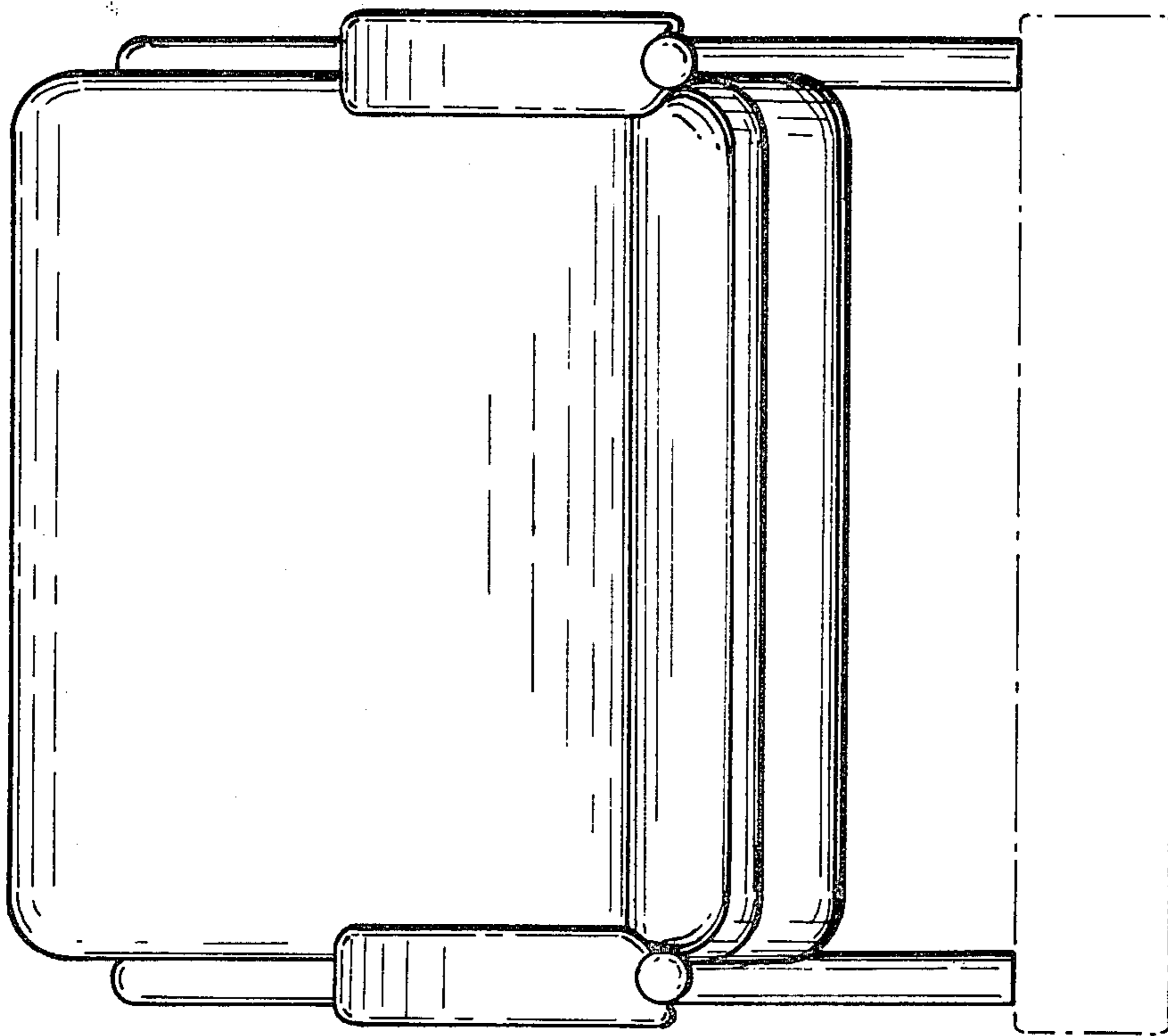


FIG. 1

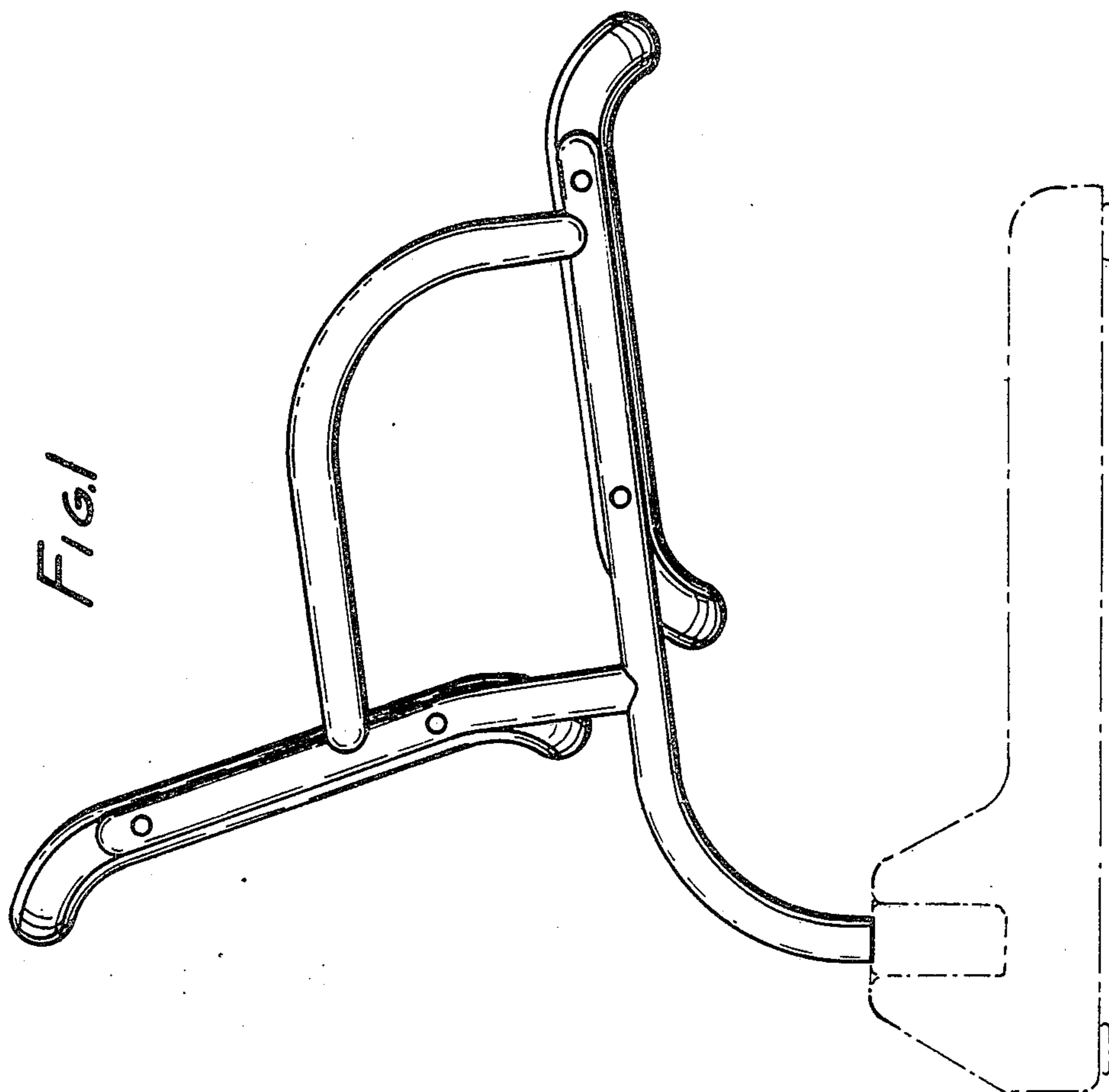


FIG. 4

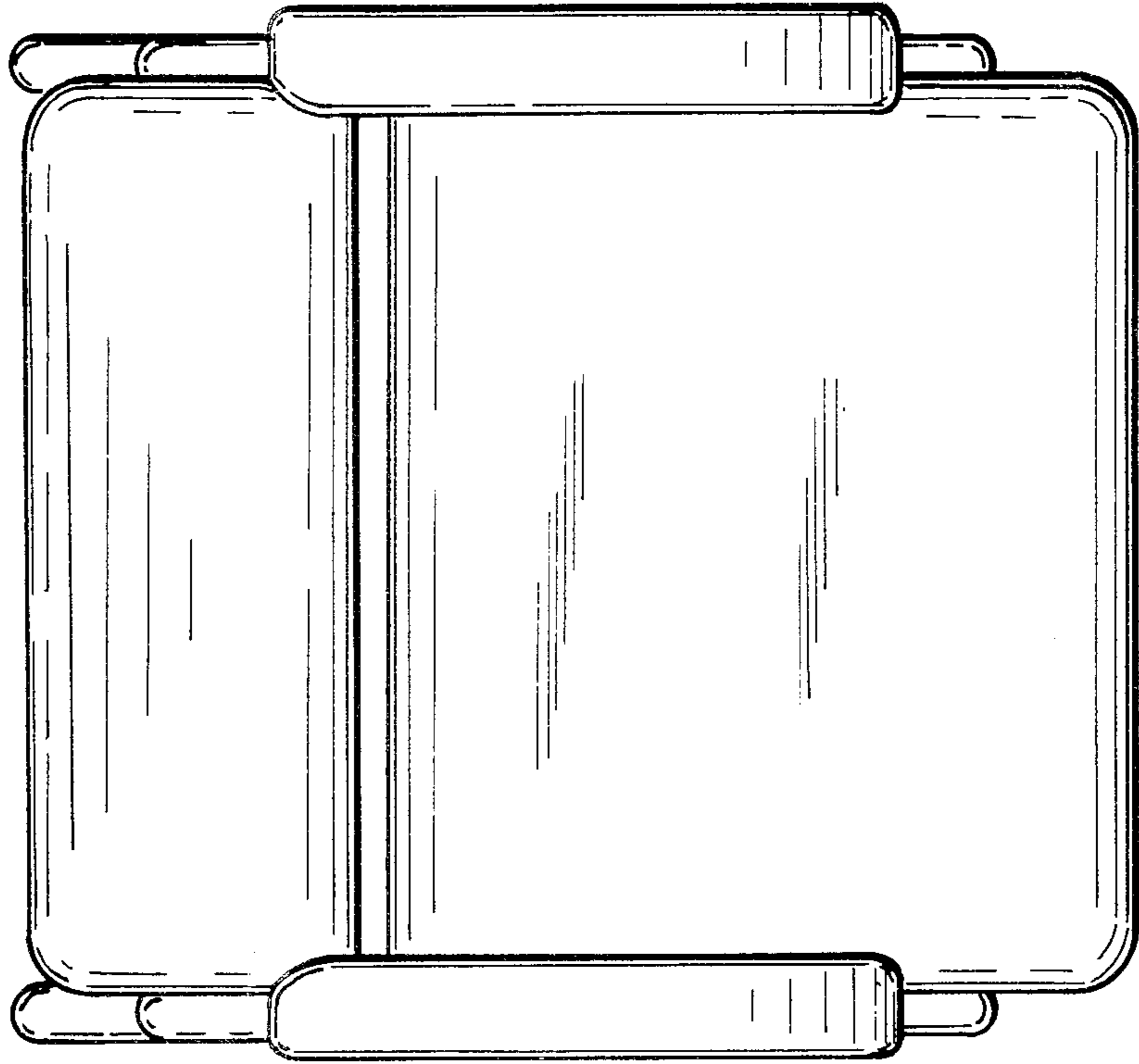


FIG. 3

