

[54] **TOY SAFE**  
[75] **Inventor: Pietro Catelli, Como, Italy**  
[73] **Assignee: Artsana S.p.A., Italy**  
[\*\*] **Term: 14 Years**  
[21] **App. No.: 518,150**  
[22] **Filed: Jul. 28, 1983**  
[30] **Foreign Application Priority Data**

[IT] Italy .....  
[52] **U.S. Cl. .... D99/35**  
[58] **Field of Search ..... D99/28, 34, 35, 37;**  
109/54; 232/4 R

[56] **References Cited**  
**U.S. PATENT DOCUMENTS**  
D. 12,357 7/1881 Kyser et al. .... D99/35  
416,496 12/1889 Price ..... 232/4 R  
746,205 12/1903 Valentine ..... 232/4 R

1,048,774 12/1912 Whittam ..... 232/4 R  
1,199,723 9/1916 Widell ..... 232/4 R

**OTHER PUBLICATIONS**

Helen Gallagher Foster House, '68-'69, back cover,  
Toy Safe, top row, middle.

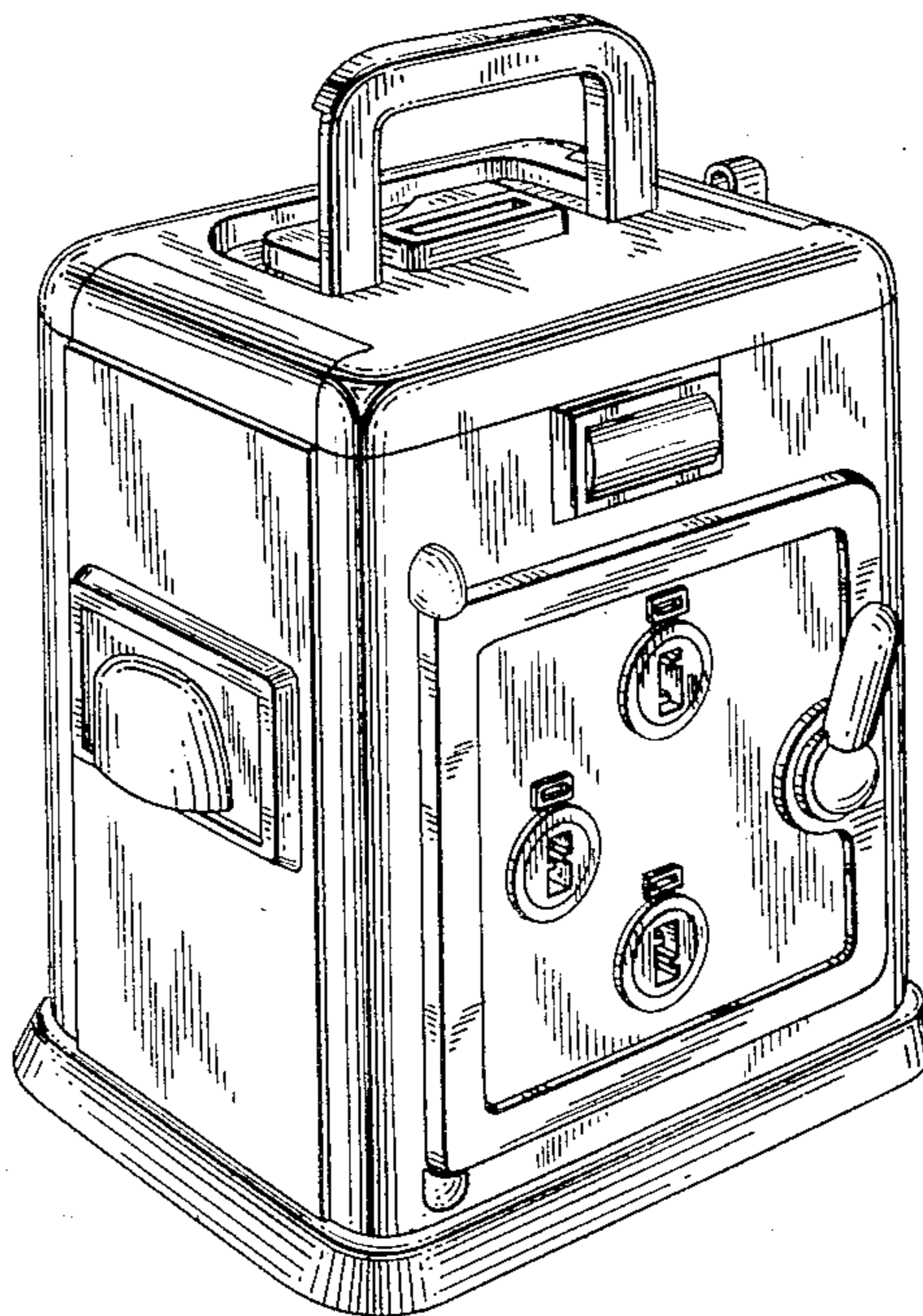
*Primary Examiner*—Bernard Ansher  
*Assistant Examiner*—Terry Pfeffer  
*Attorney, Agent, or Firm*—Steinberg & Raskin

[57] **CLAIM**

The ornamental design for a toy safe, as shown.

**DESCRIPTION**

FIG. 1 is a perspective view of a toy safe showing my new design;  
FIG. 2 is a top plan view thereof;  
FIG. 3 is a front elevational view thereof;  
FIG. 4 is a right side elevational view thereof;  
FIG. 5 is a rear elevational view thereof;  
FIG. 6 is a left side elevational view thereof; and  
FIG. 7 is a bottom plan view thereof.



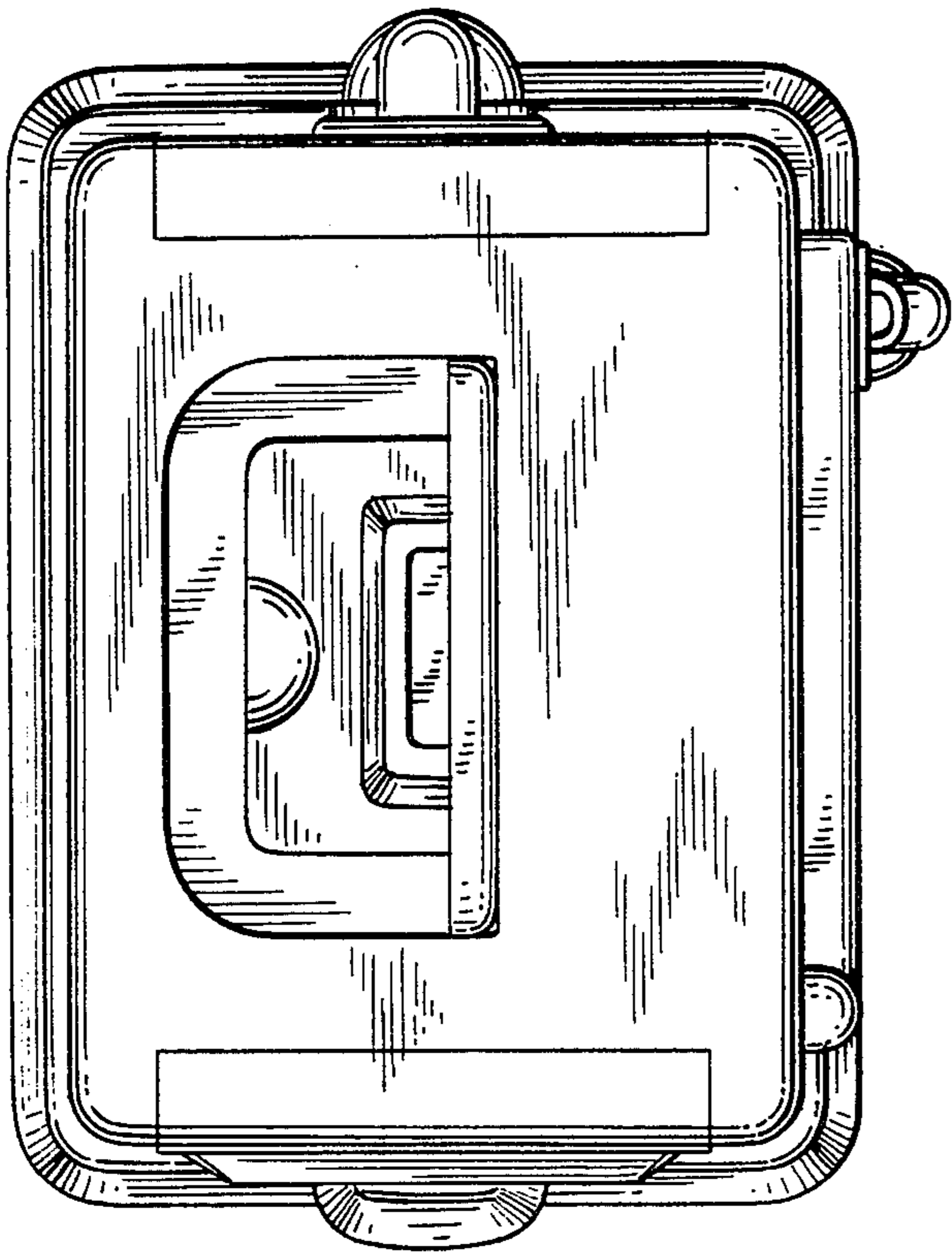


FIG. 2

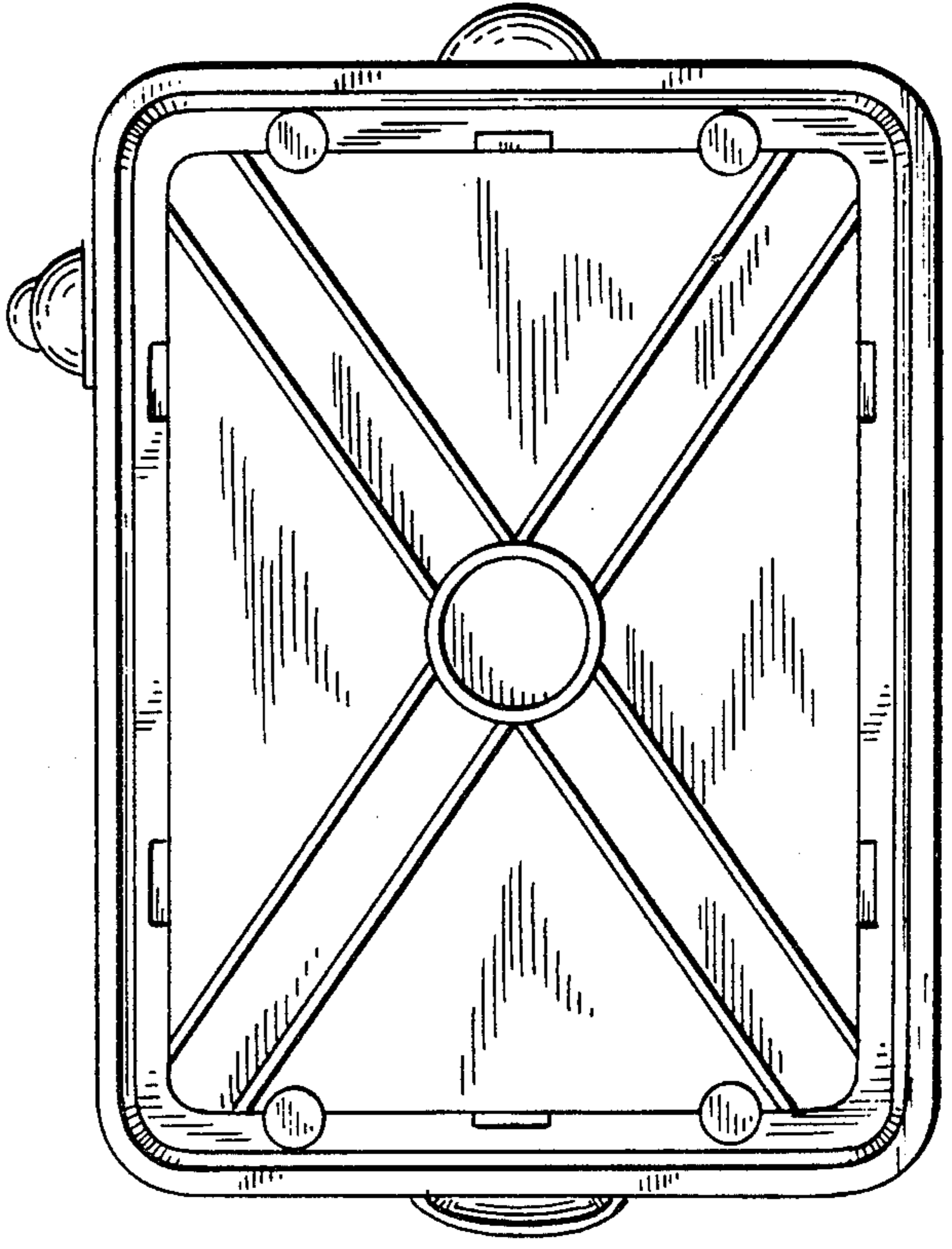


FIG. 7

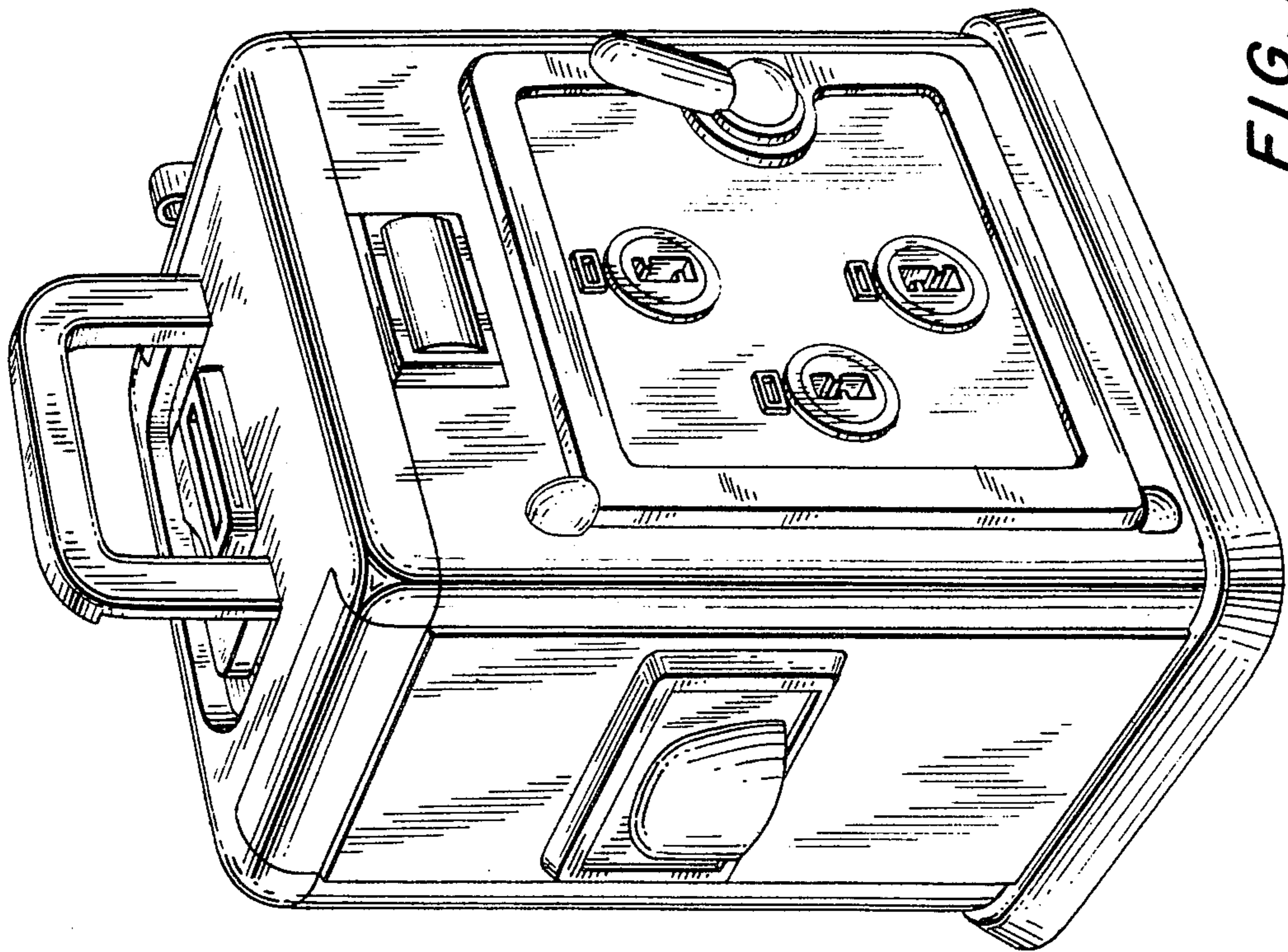


FIG. 1

FIG. 4

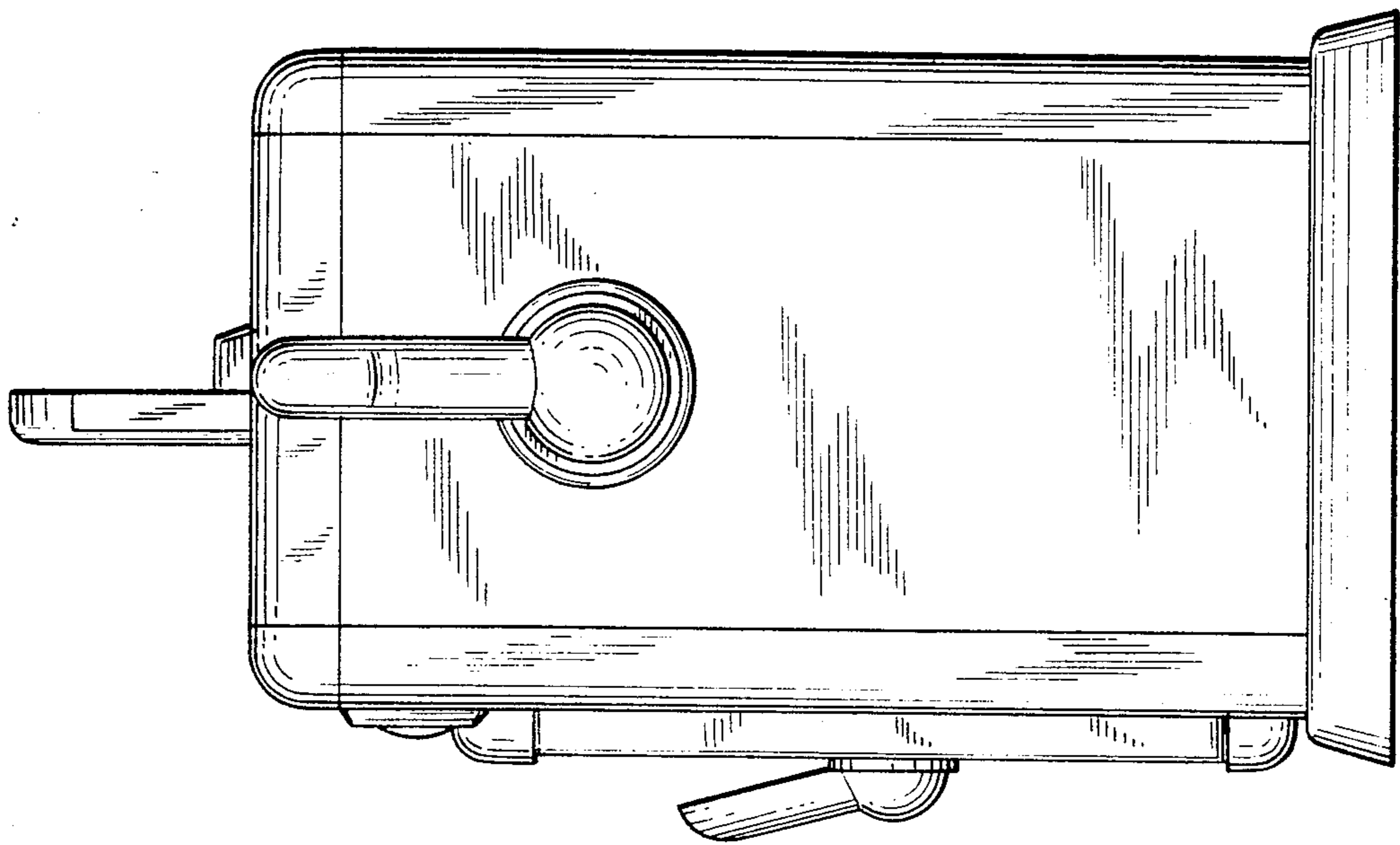


FIG. 3

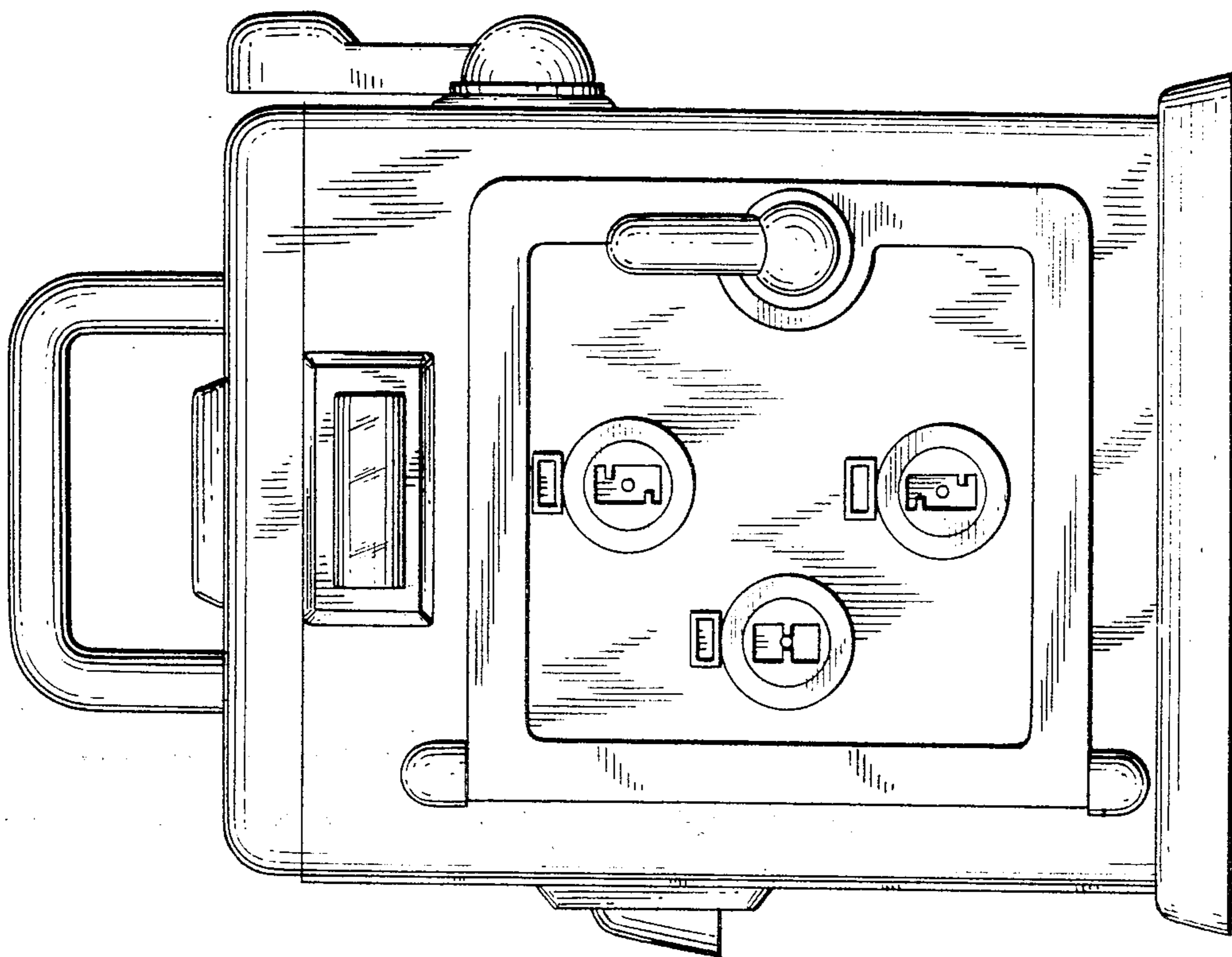


FIG. 6

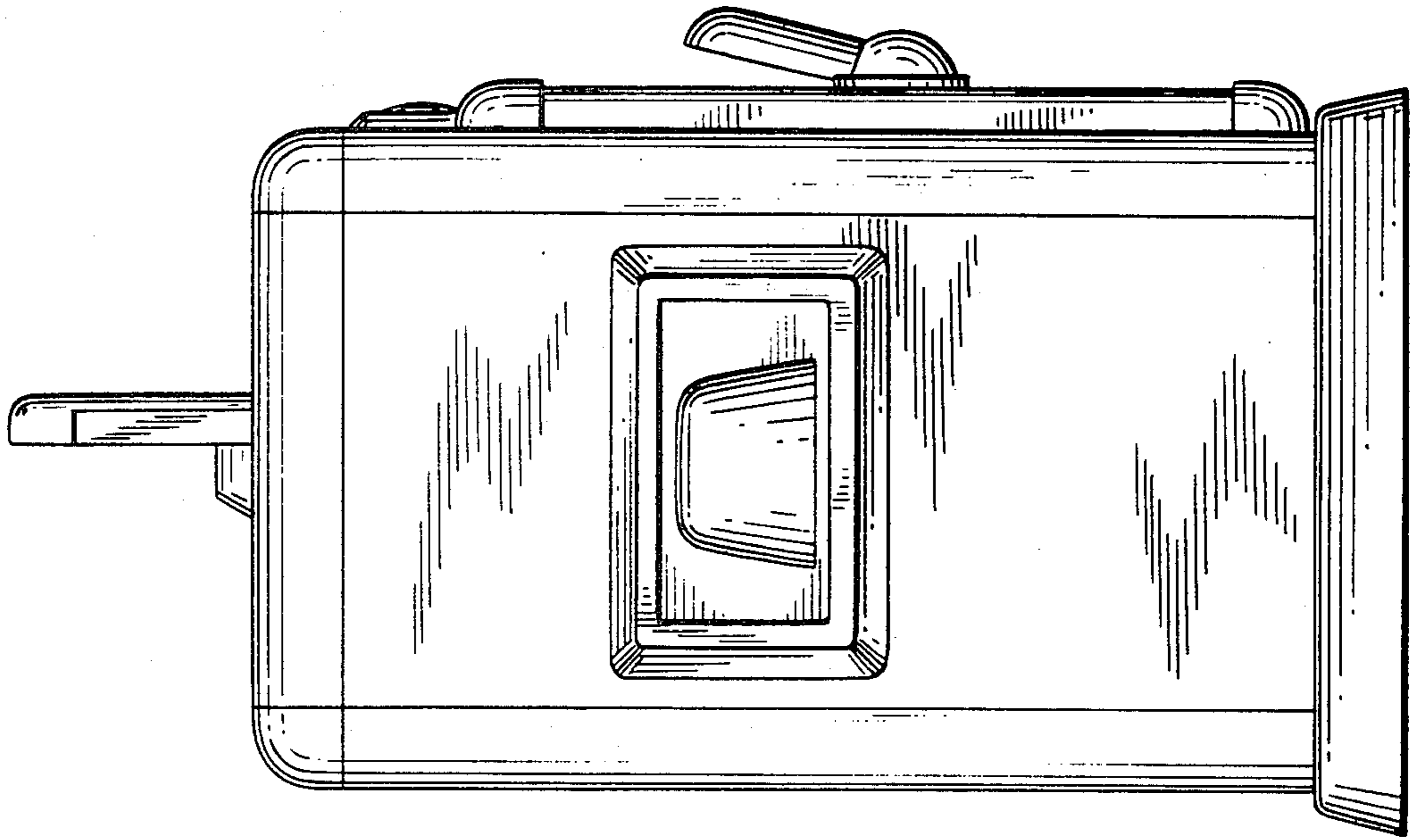


FIG. 5

