

[54] COMBINED PACKING AND STORING BOX FOR FISH

D. 253,076 10/1979 Larson D34/40
D. 266,539 10/1982 Larson D34/40
D. 270,678 9/1983 Stein D34/40

[76] Inventor: Per S. Stromberg, P.O. Box 65,
N-2011 Strommen, Norway

Primary Examiner—Robert C. Spangler
Attorney, Agent, or Firm—Watson, Cole, Grindle &
Watson

[**] Term: 14 Years

[21] Appl. No.: 418,482

[57] CLAIM

[22] Filed: Sep. 15, 1982

The ornamental design for a combined packing and storing box for fish, as shown.

[30] Foreign Application Priority Data

Mar. 17, 1982 [NO] Norway 62.754

[52] U.S. Cl. D34/40

[58] Field of Search D34/40; D9/456, 341,
D9/424, 425; 206/557; 229/30

DESCRIPTION

FIG. 1 is a top perspective view of a combined packing and storing box for fish showing my new design; FIG. 2 is a bottom perspective view; FIG. 3 is another top perspective view; FIG. 4 is another bottom perspective view; FIG. 5 is an enlarged cross-sectional view as seen along line 5—5 in FIG. 1; and FIG. 6 is an enlarged cross-sectional view as seen along line 6—6 in FIG. 1.

[56] References Cited

U.S. PATENT DOCUMENTS

D. 242,496 11/1976 Carroll et al. D34/40
D. 246,872 1/1978 White D34/40
D. 251,479 4/1979 Cherry D34/40

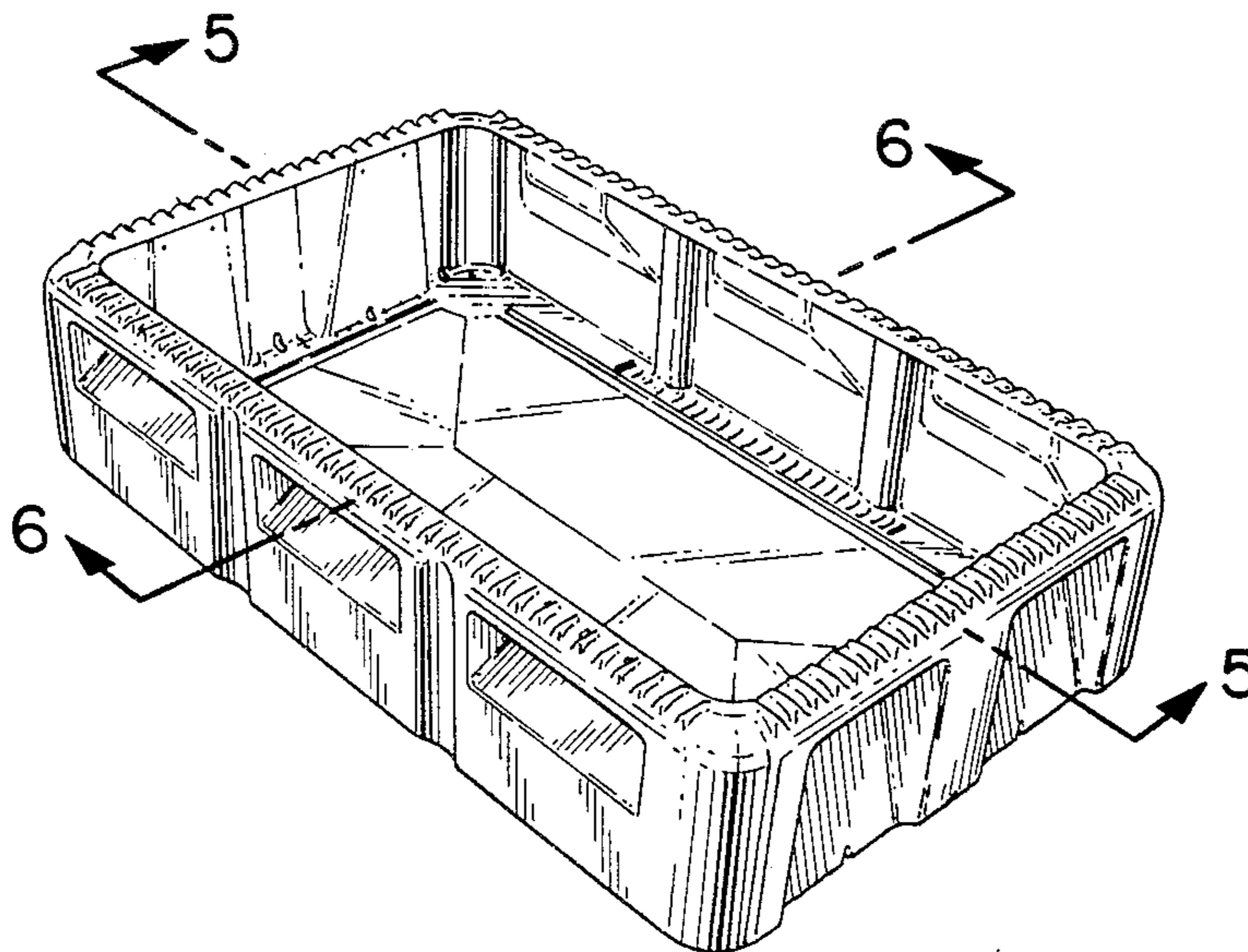


Fig. 1.

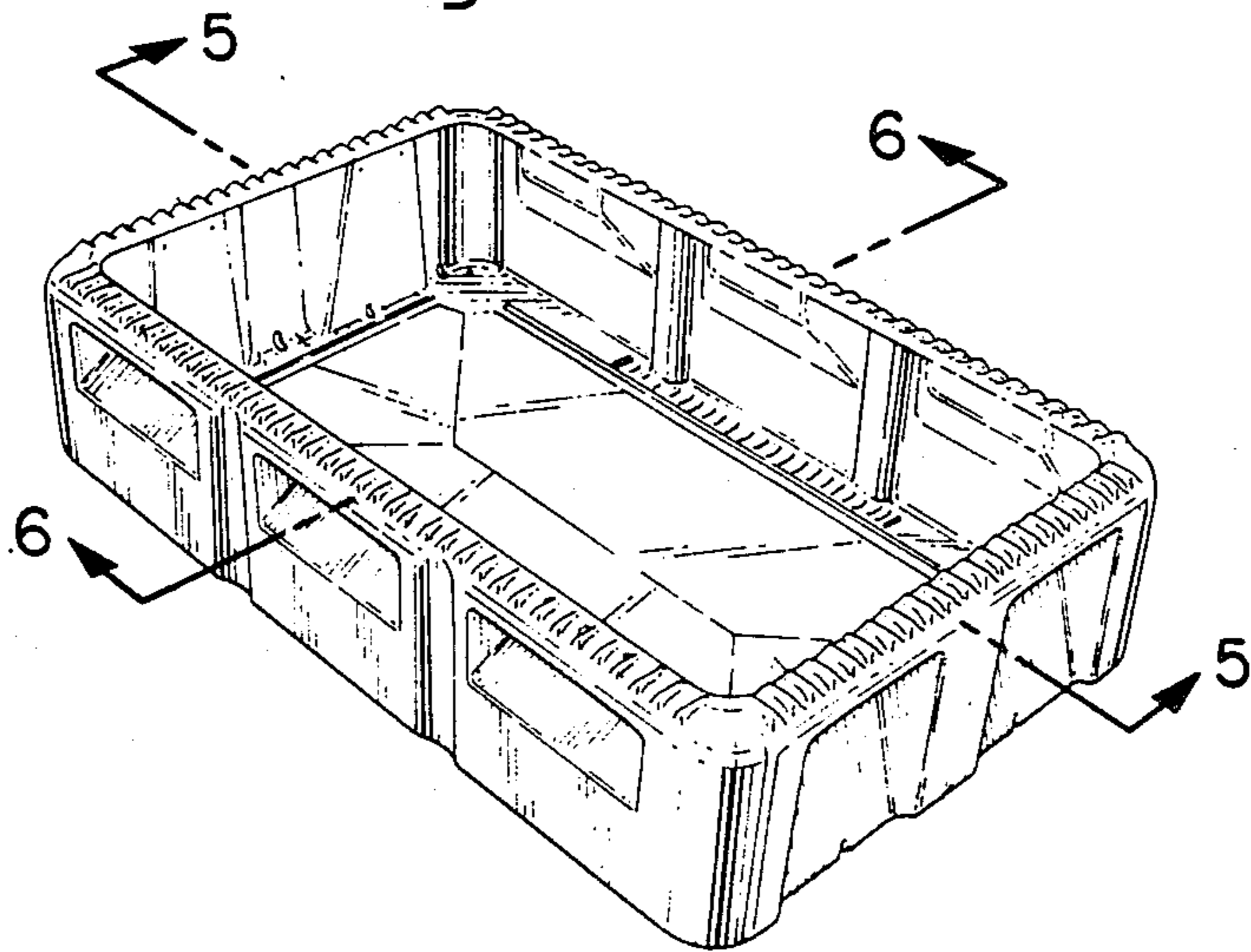


Fig. 2.

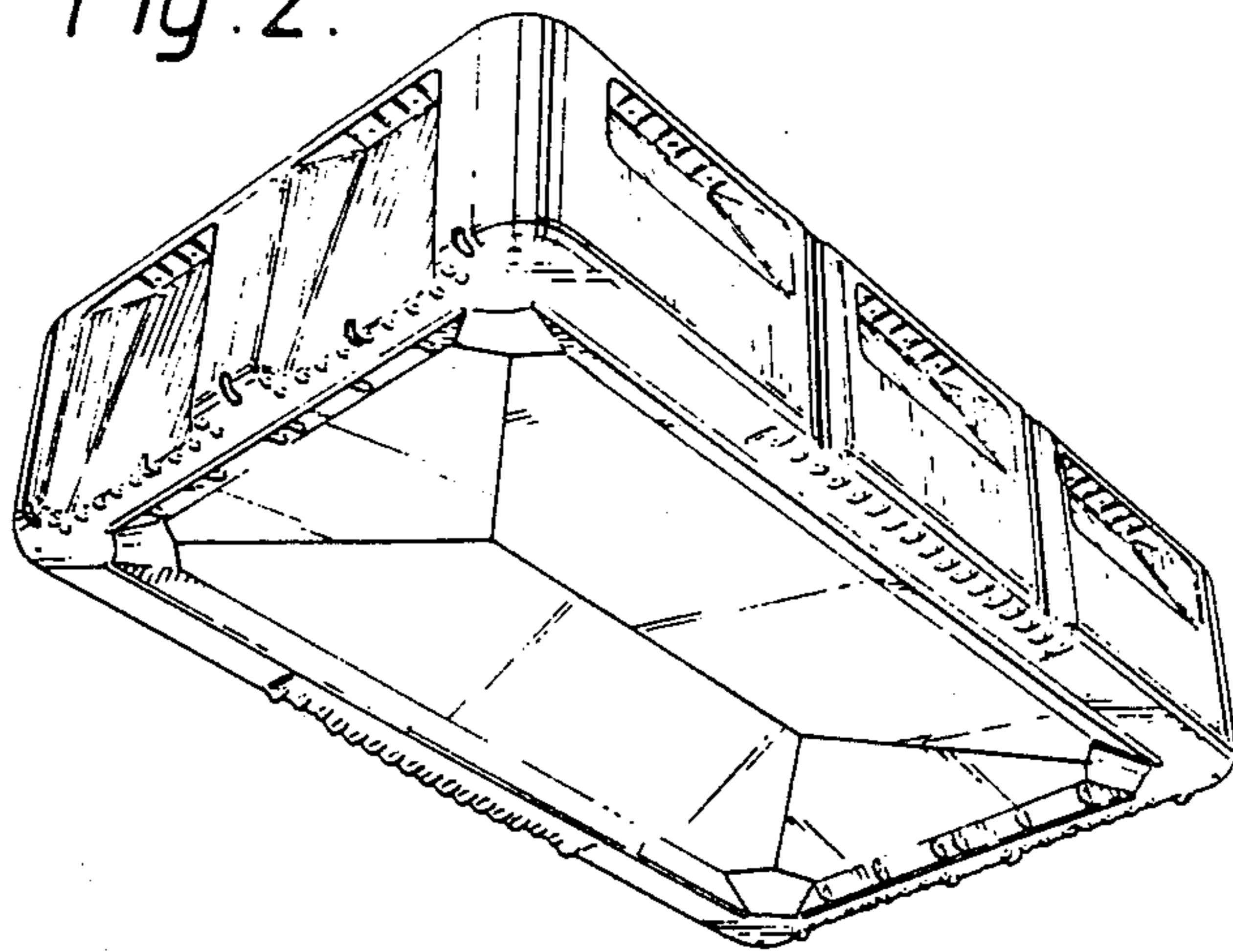


Fig. 3.

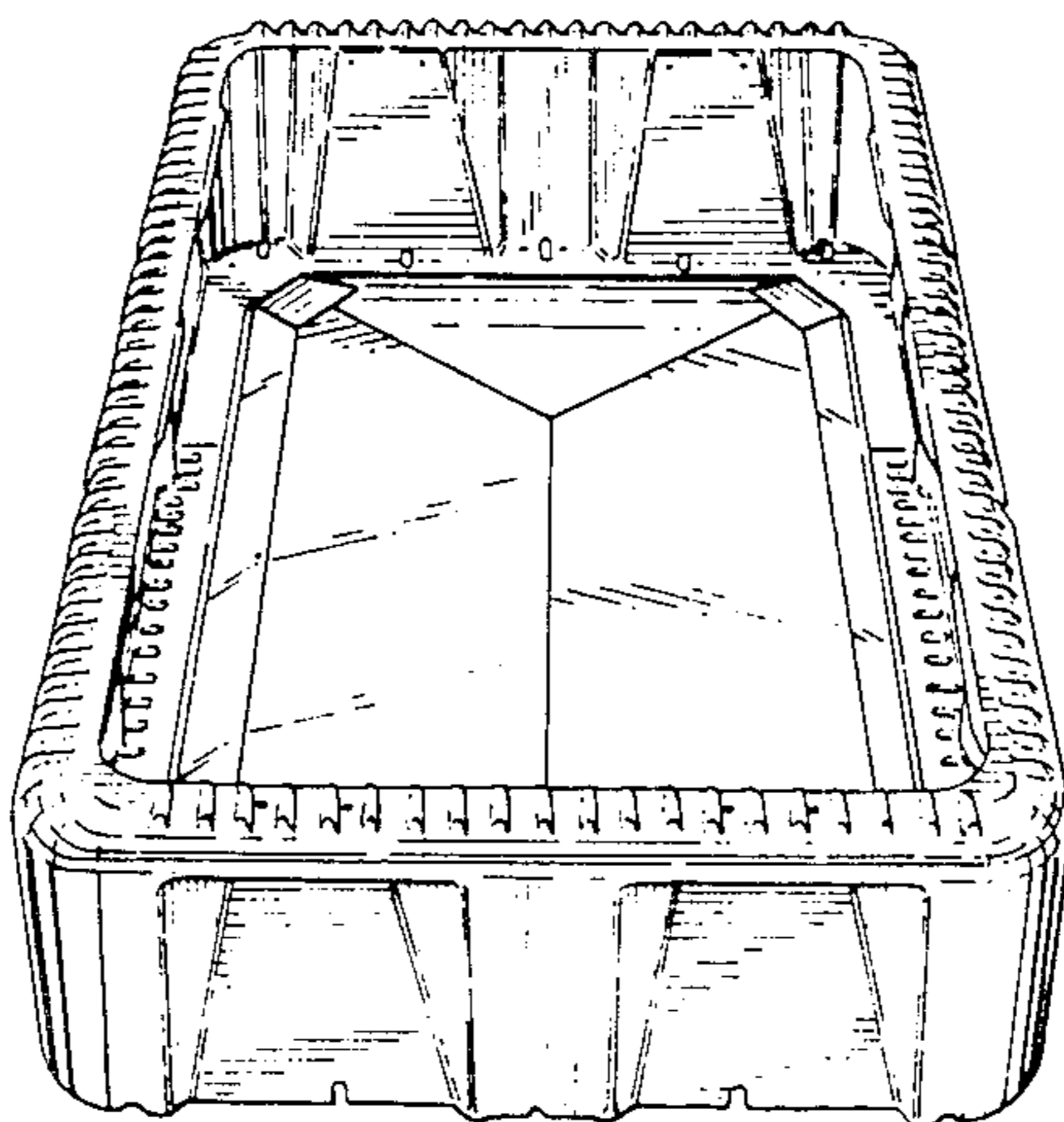


Fig. 4.

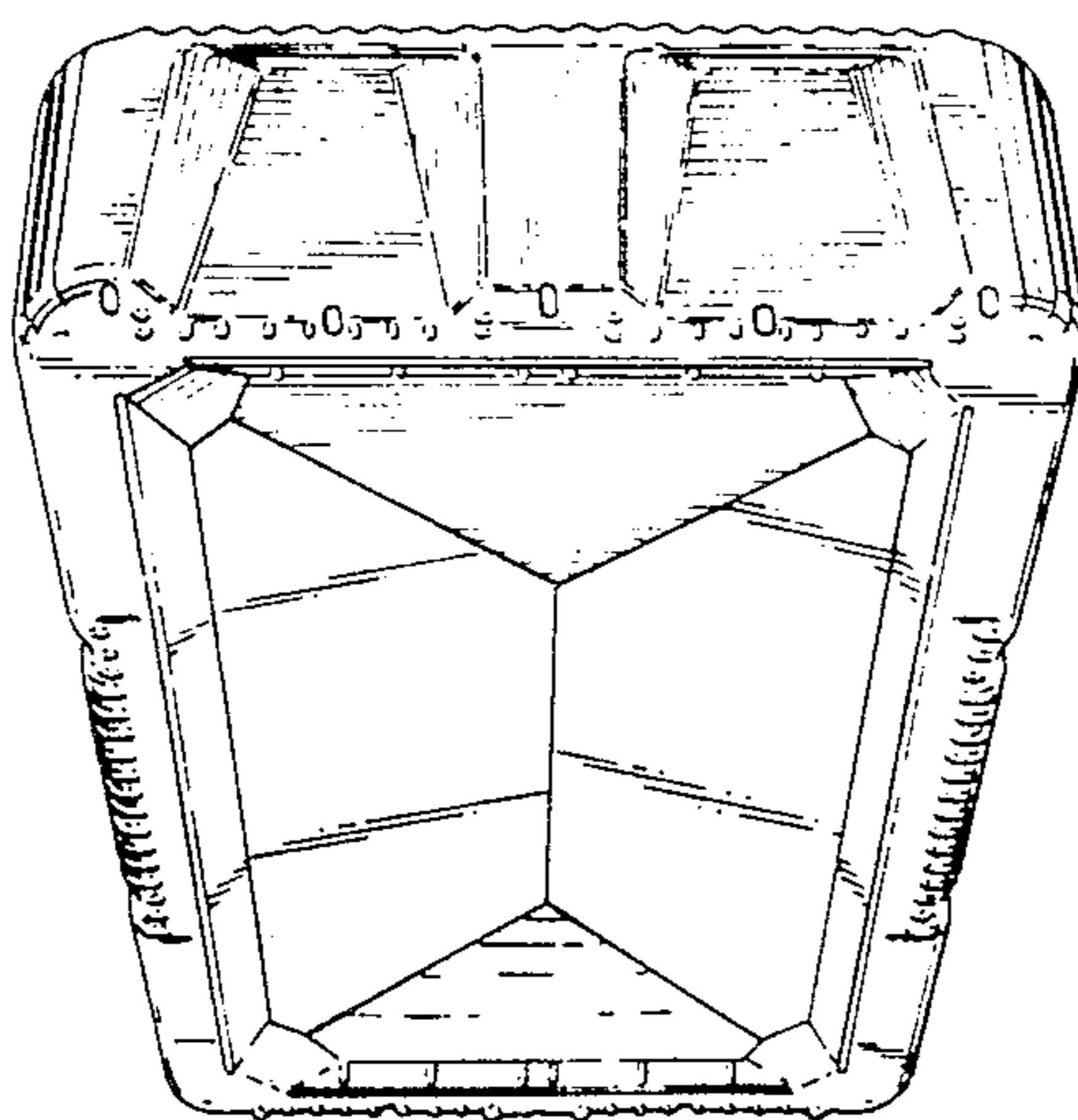


FIG. 5

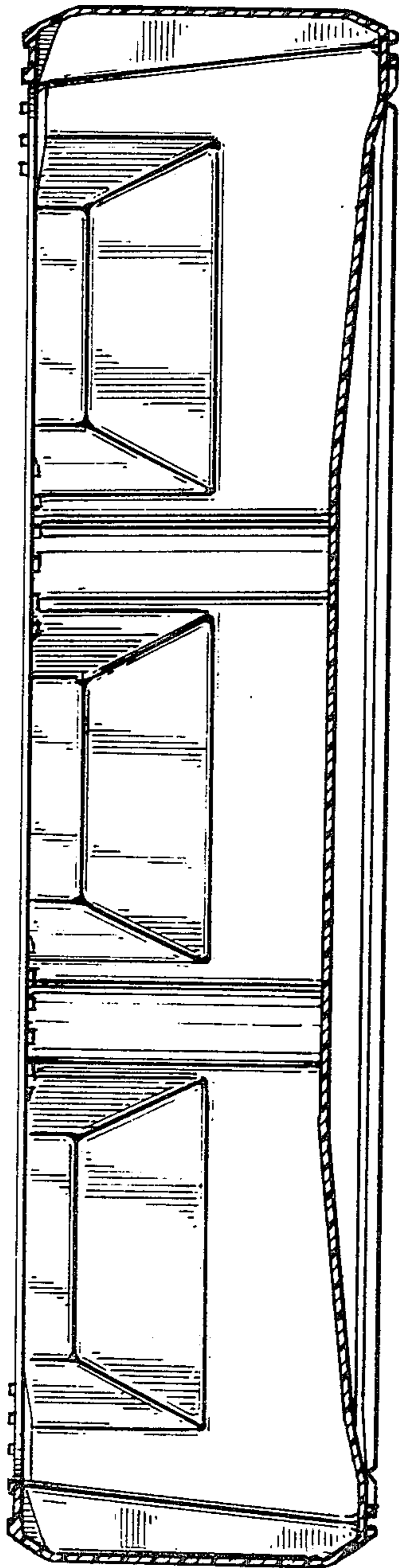


FIG. 6

