

[54] BABY SEAT ATTACHMENT FOR SHOPPING CARTS

[76] Inventor: Donald Gugler, 10208 Swinton Ave., Granada Hills, Calif. 91343

[**] Term: 14 Years

[21] Appl. No.: 501,849

[22] Filed: Jun. 7, 1983

[52] U.S. Cl. D34/27; D34/24

[58] Field of Search D34/17, 24, 25, 27; 280/33.99 B, 33.99 A, 47.25, 47.26; 297/DIG. 4; D6/333, 366, 379, 380

[56] References Cited

U.S. PATENT DOCUMENTS

2,508,670 5/1950 Goldman 297/DIG. 4
3,229,990 1/1966 Weimer 280/47.25

3,829,113 8/1974 Epelbaum 280/47.25

FOREIGN PATENT DOCUMENTS

162172 4/1948 Fed. Rep. of Germany ... 280/47.25

Primary Examiner—James M. Gandy
Assistant Examiner—Kay H. Chin
Attorney, Agent, or Firm—Allan M. Shapiro

[57] CLAIM

The ornamental design for a baby seat attachment for shopping carts, as shown.

DESCRIPTION

FIG. 1 is a perspective view of a baby seat attachment for shopping carts, showing my new design, as seen from the top, front and right side; FIG. 2 is a left side elevational view thereof; and FIG. 3 is a perspective view as seen from the bottom, rear and left side thereof.

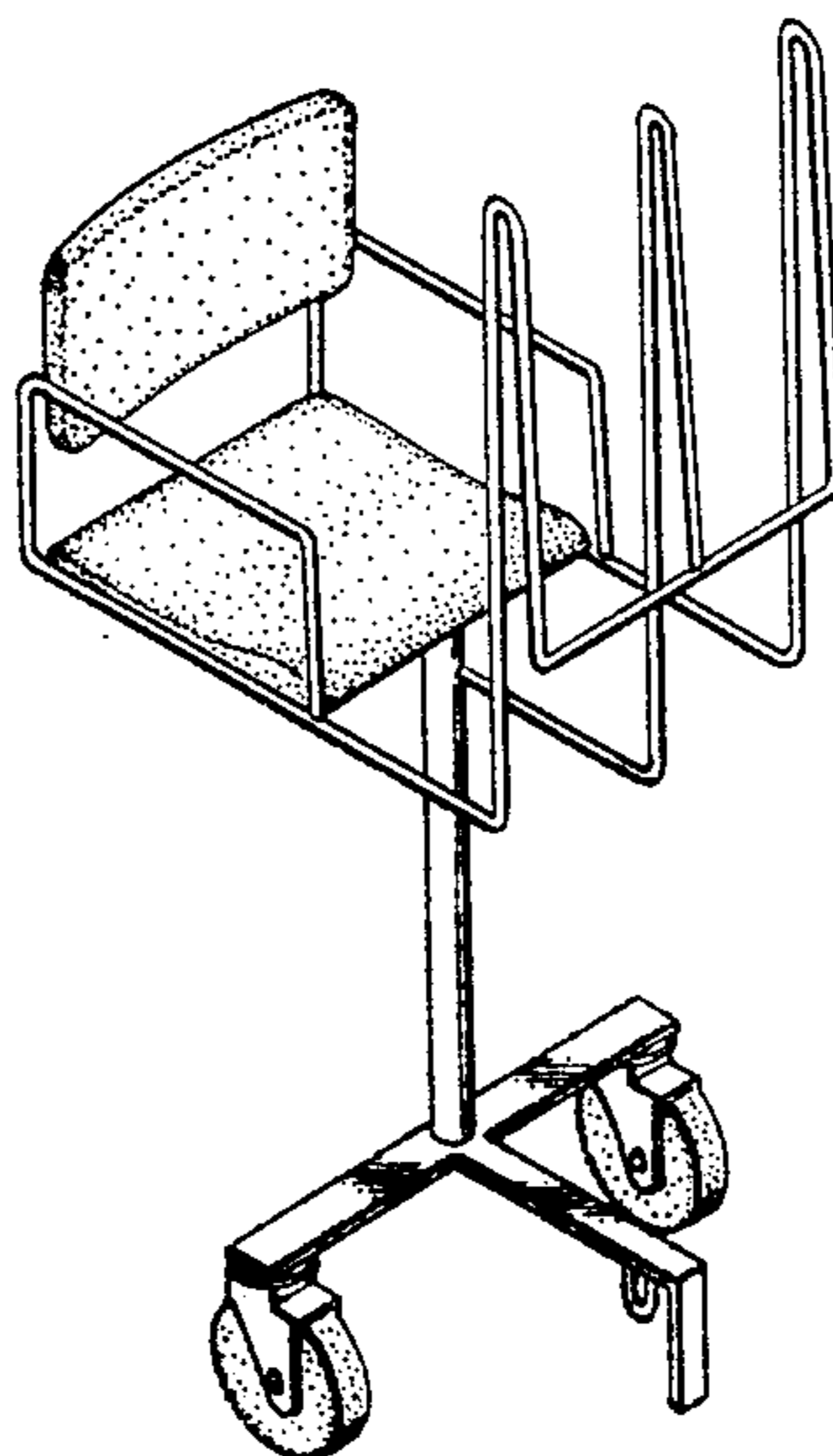


FIG. 1

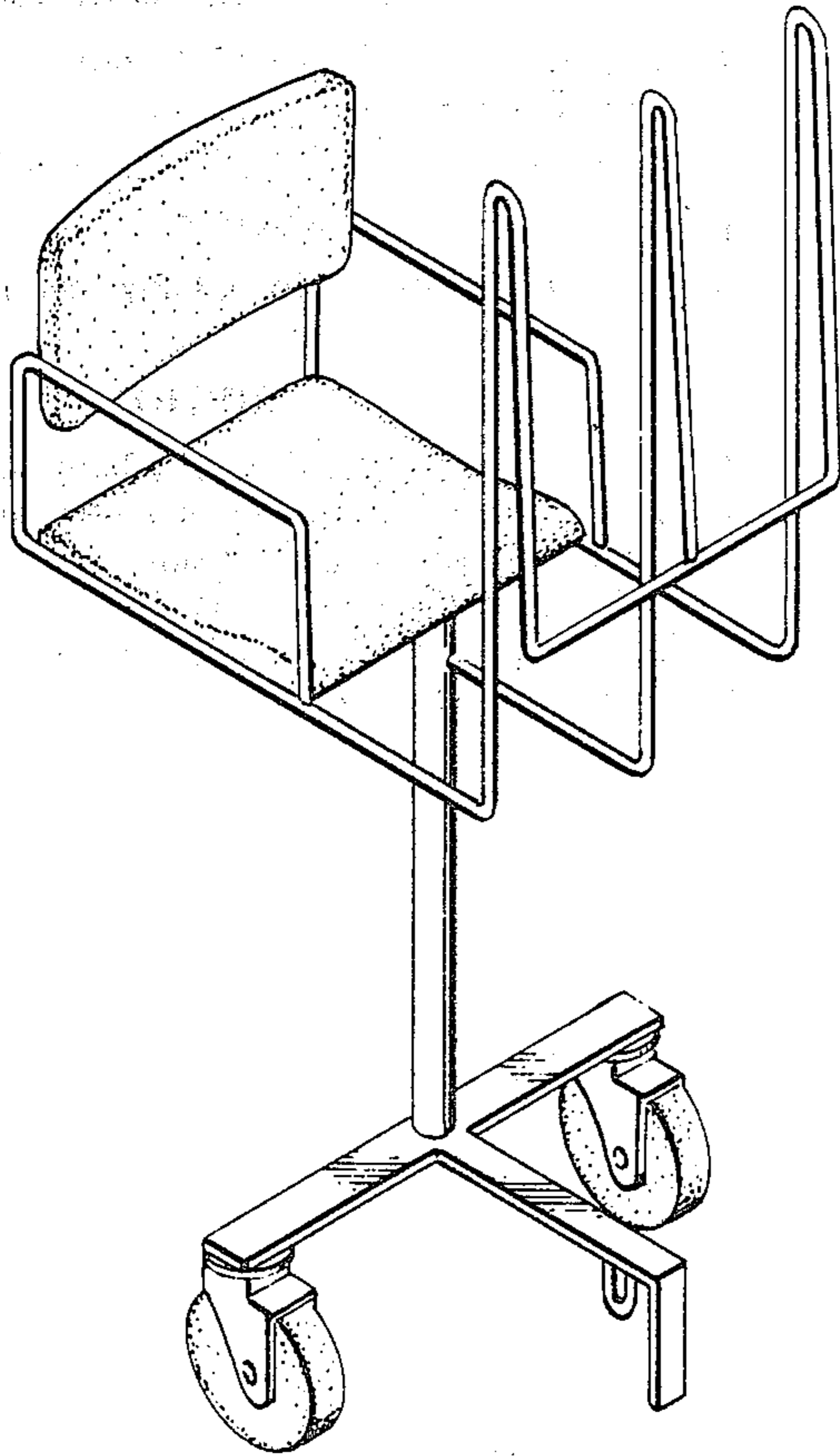


FIG. 2

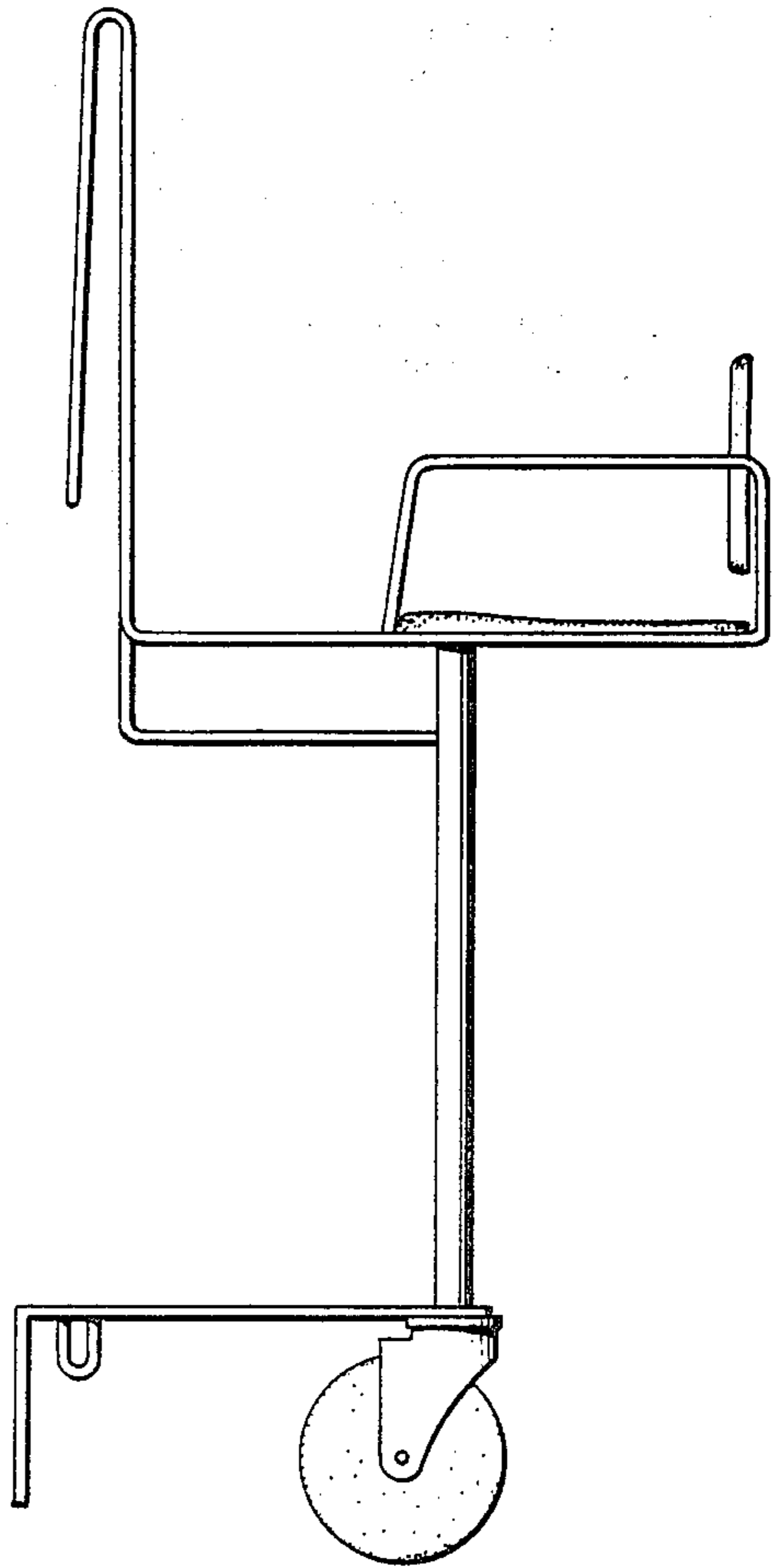


FIG. 3

