

[54] DOLLY FOR HOLDING AND TILTING A BUCKET

[76] Inventor: John DiFede, 24878 Tioga Rd., Hayward, Calif. 94544

[**] Term: 14 Years

[21] Appl. No.: 457,565

[22] Filed: Jan. 13, 1983

[52] U.S. Cl. D34/23; D34/17

[58] Field of Search D34/17, 23, 14; 280/87.02 W, 79.1 A, 47.34, 79.1 R, 79.3; 248/129

[56] References Cited

U.S. PATENT DOCUMENTS

D. 160,918	11/1950	Berner	D34/17
846,451	3/1907	Burry	280/79.3
931,849	8/1909	Dickinson	248/129
1,628,722	5/1927	Haertel	248/129
2,444,992	7/1948	Kittel	248/129

2,583,644	1/1952	Grimes	280/47.34
2,745,676	5/1956	Scott	248/129
2,950,925	8/1960	Larson	248/129
4,123,078	10/1978	Murakami	280/87.02 W

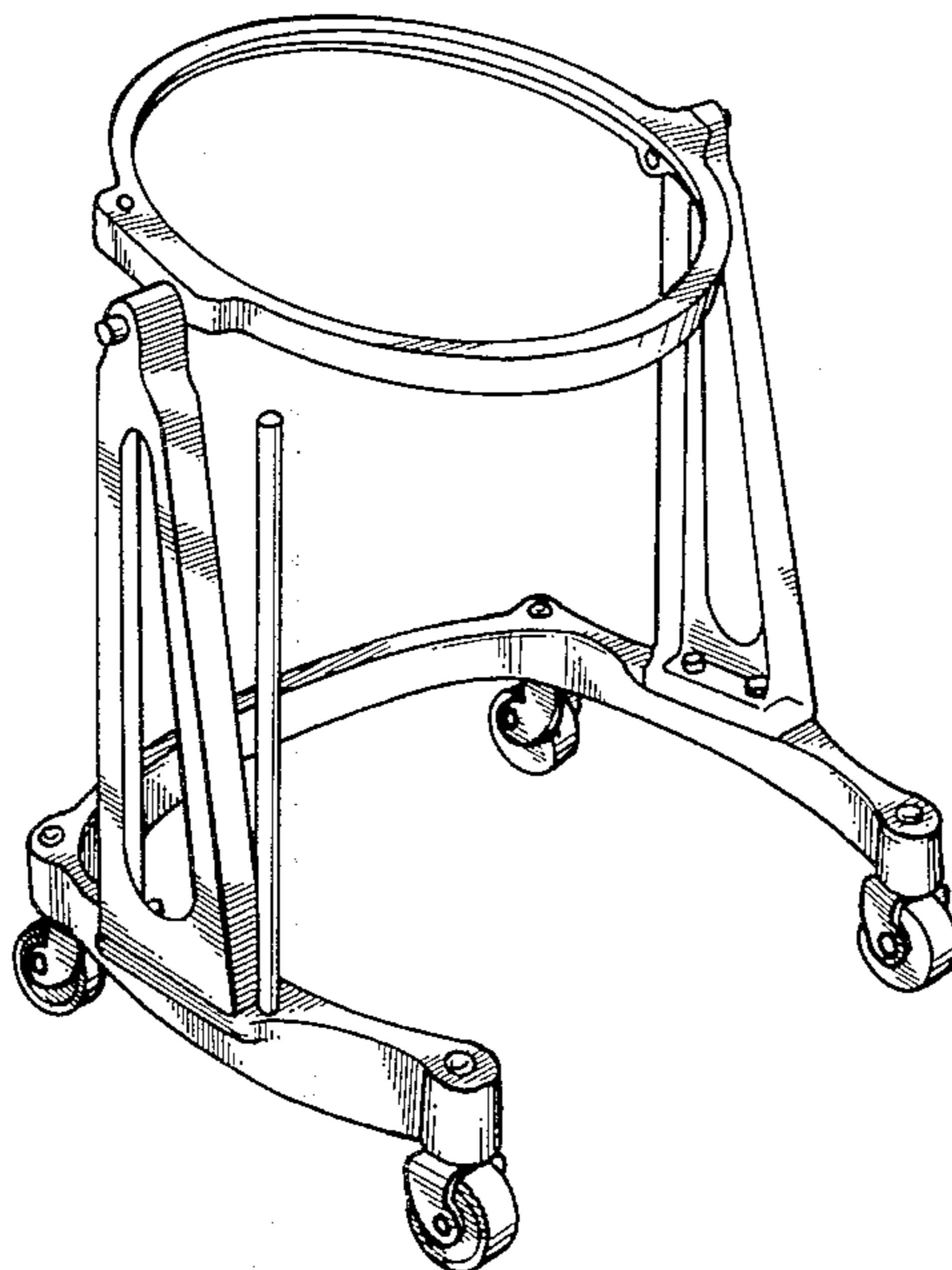
Primary Examiner—James M. Gandy
Assistant Examiner—Kay H. Chin
Attorney, Agent, or Firm—Linval B. Castle

[57] CLAIM

The ornamental design for a dolly for holding and tilting a bucket, as shown.

DESCRIPTION

FIG. 1 is a perspective view of my dolly for holding and tilting a bucket;
FIG. 2 is a first side elevational view thereof;
FIG. 3 is a front elevational view thereof;
FIG. 4 is a second side elevation view thereof;
FIG. 5 is a bottom view thereof;
FIG. 6 is a rear elevation view thereof; and
FIG. 7 is a top plan view thereof.



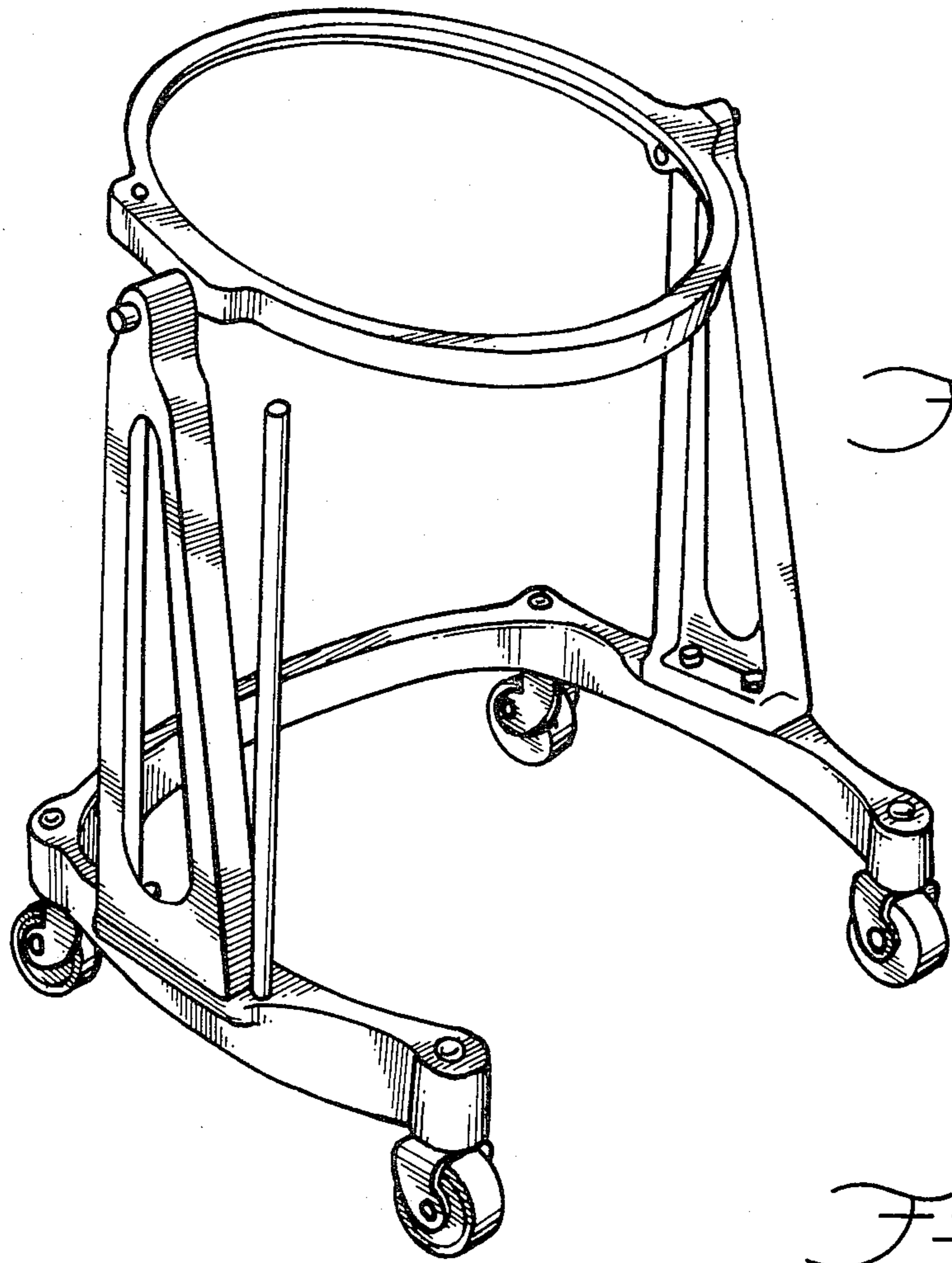


FIG. 1-

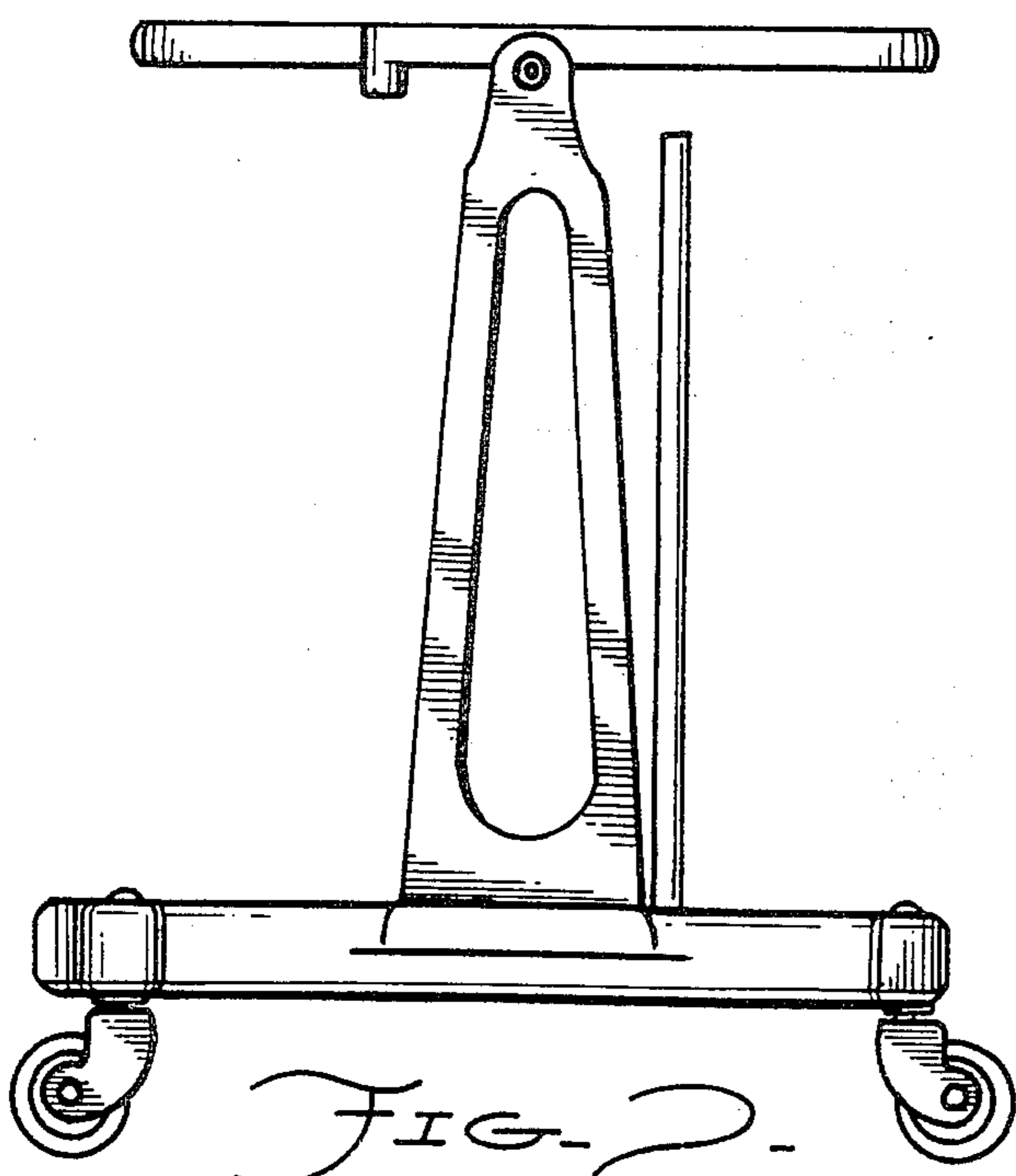


FIG. 2-

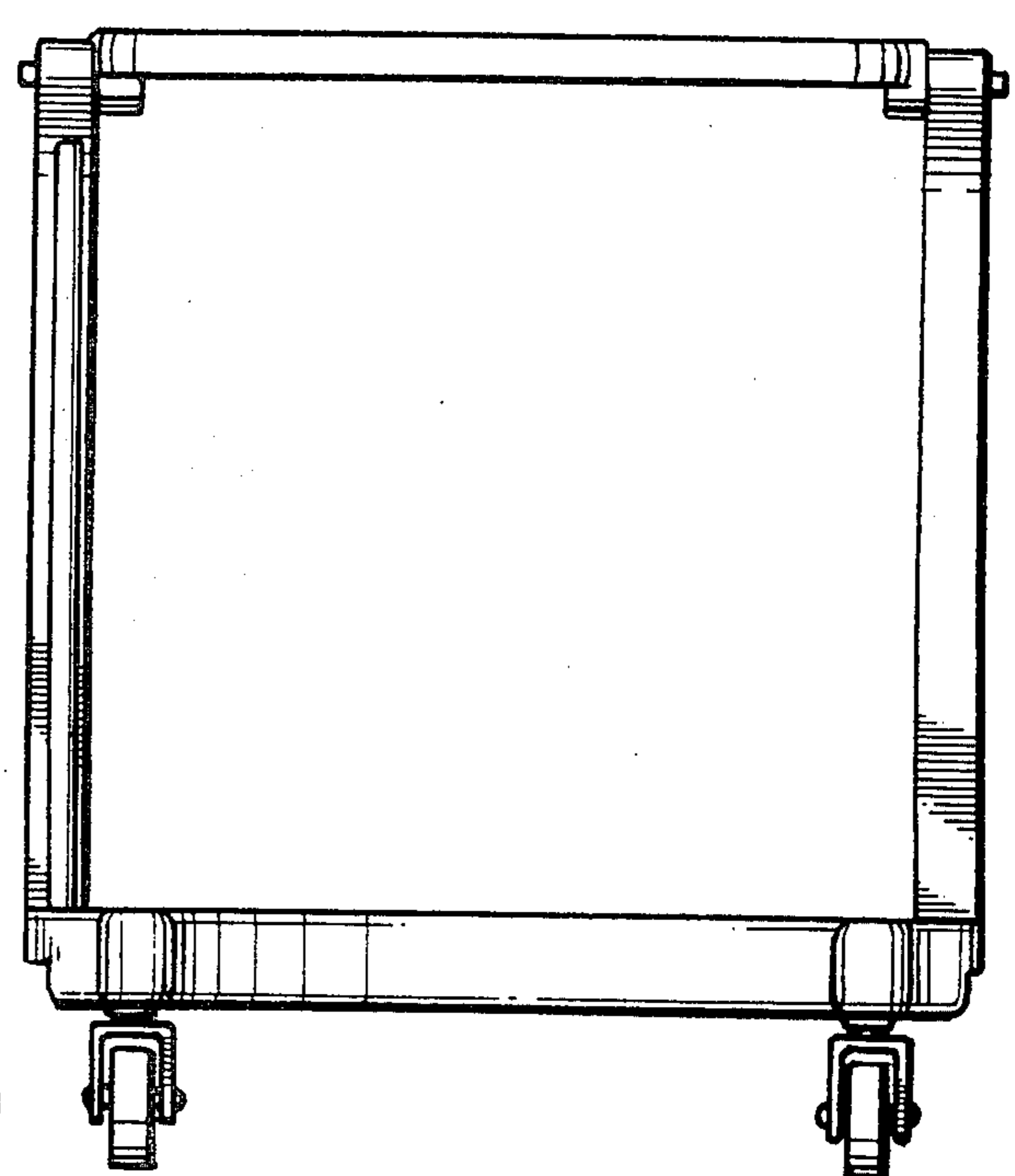


FIG. 3-

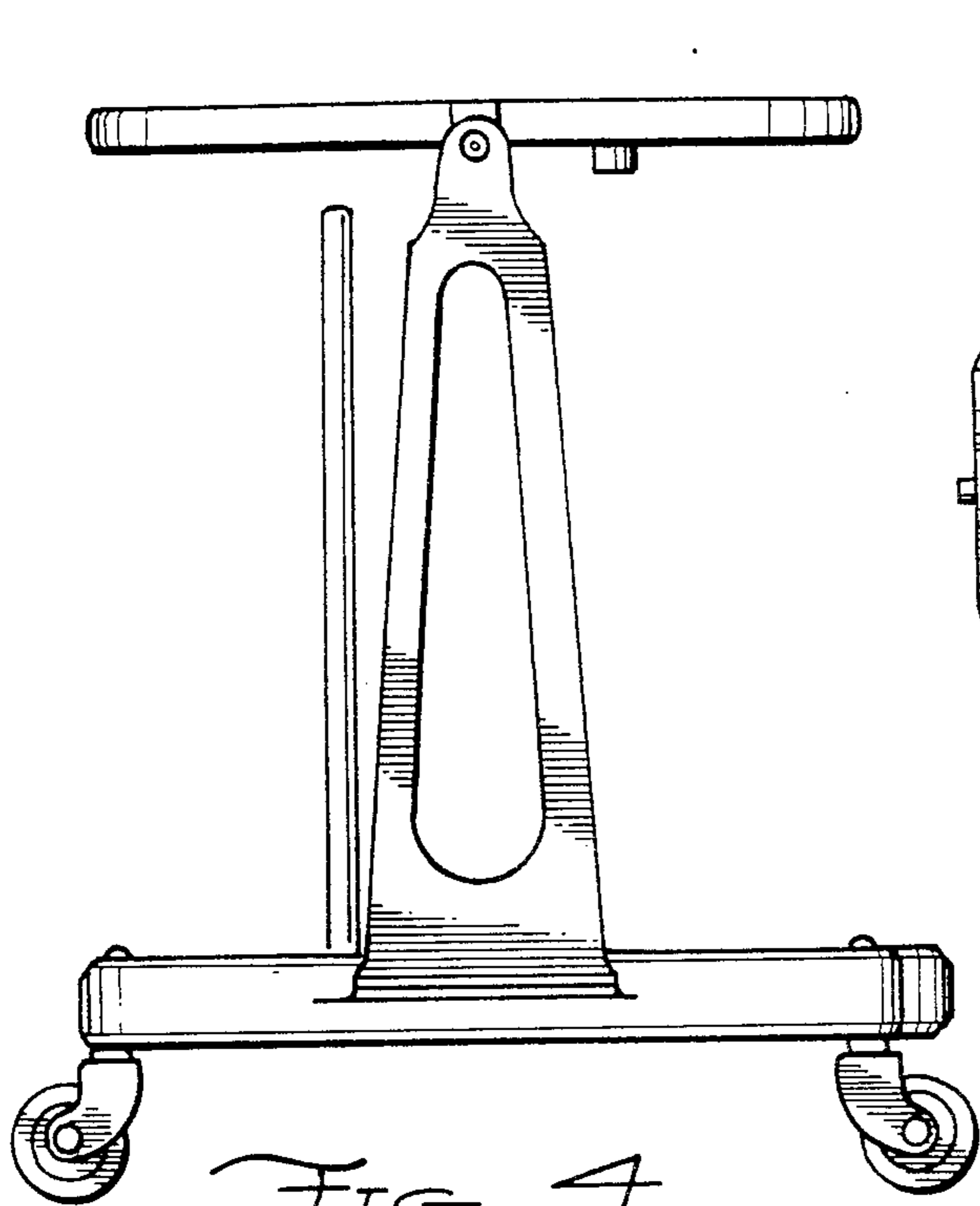


FIG. 4-

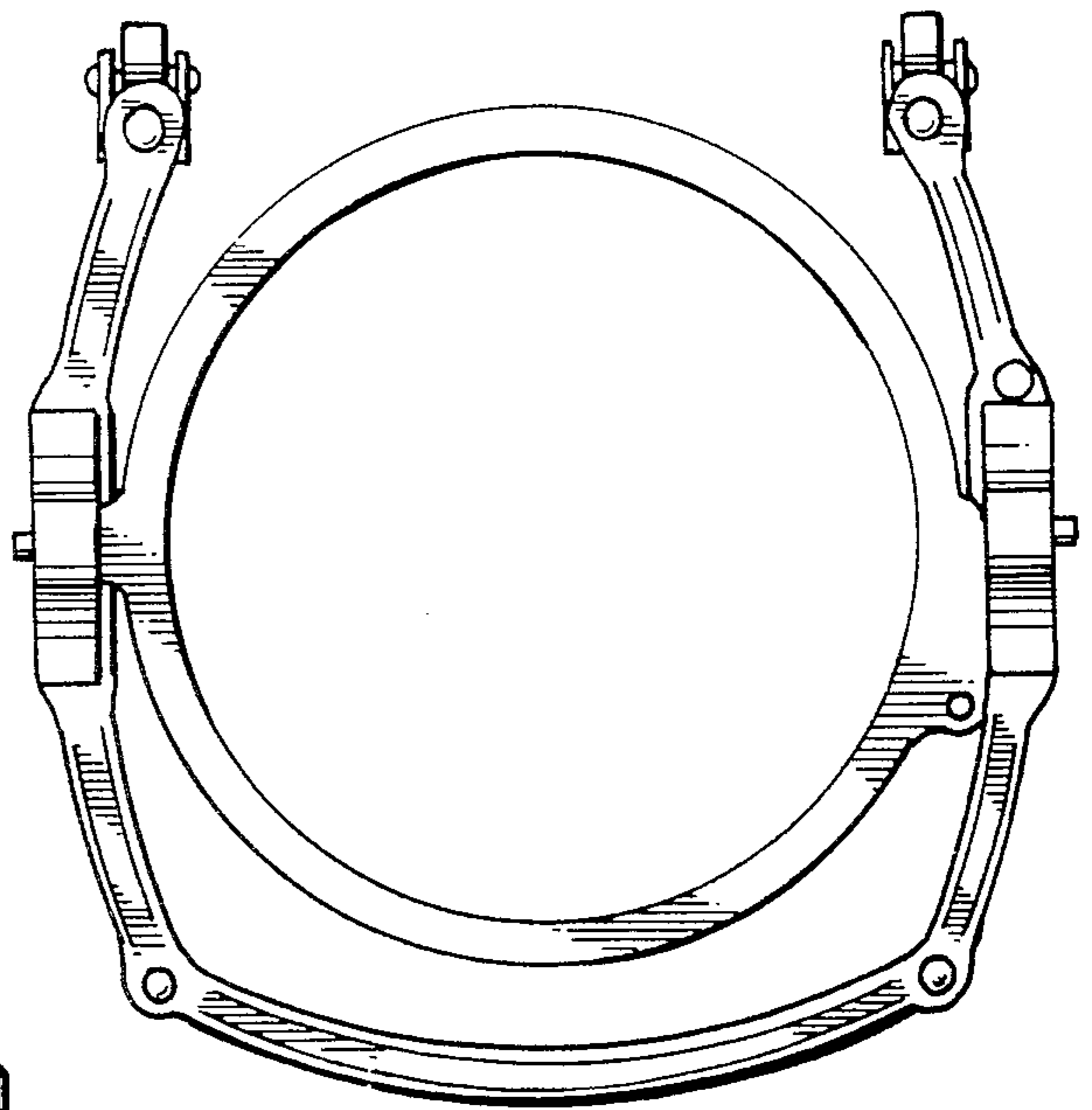


FIG. 7-

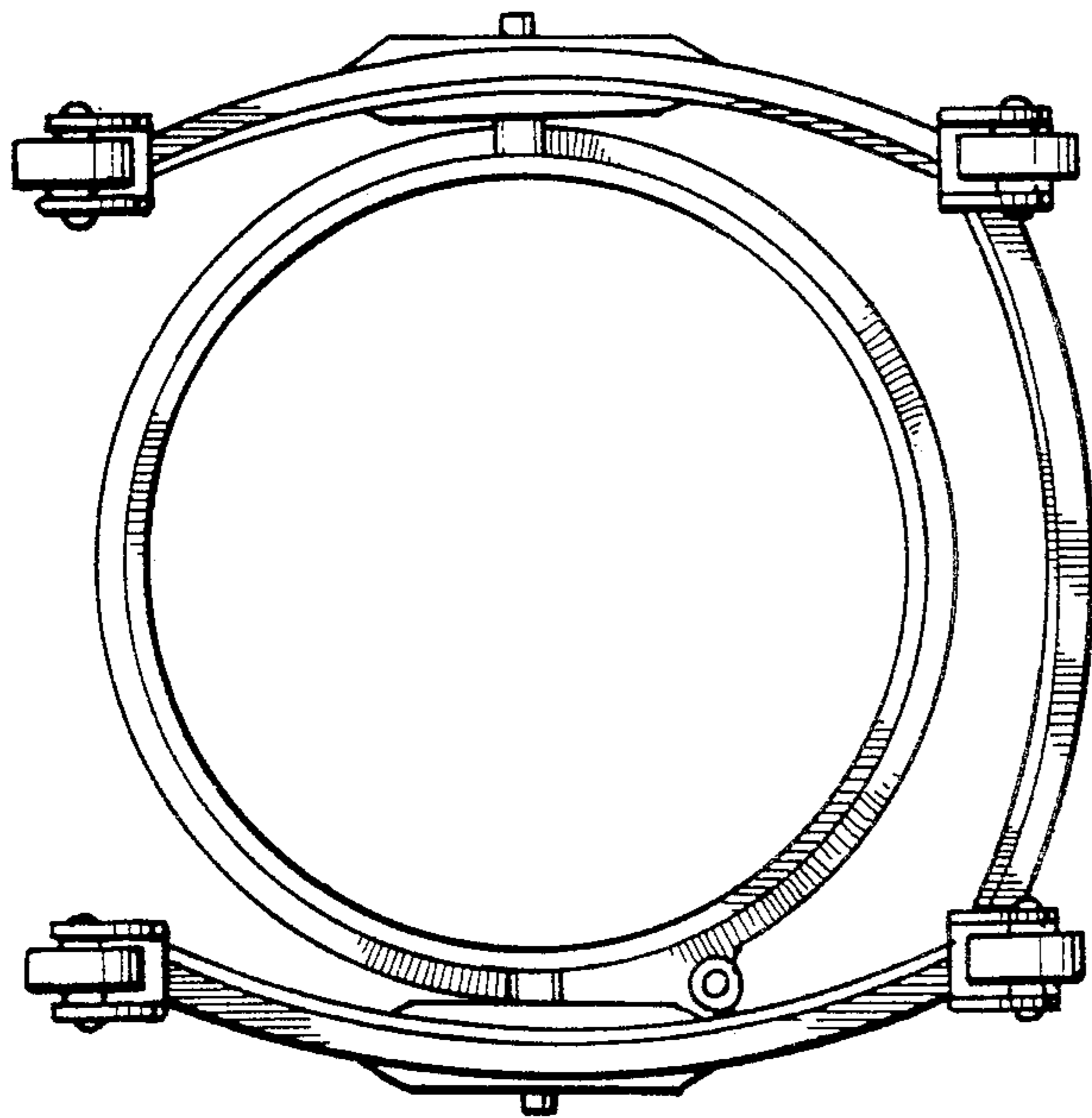


FIG. 5-

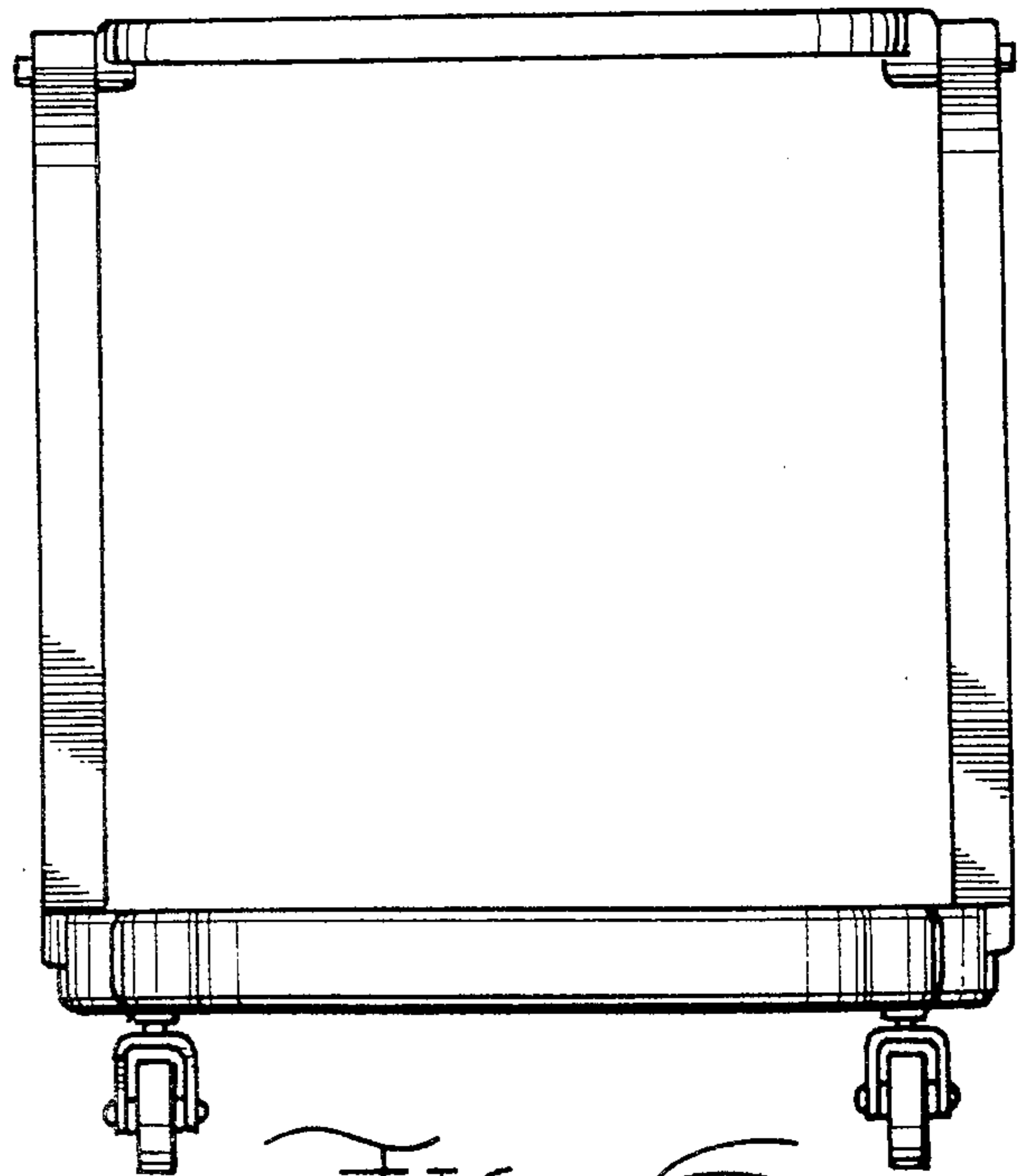


FIG. 6-