

[54] VENDING CART

[75] Inventor: Thomas Carvel, Chauncey, N.Y.

[73] Assignee: Carvel Corporation, Yonkers, N.Y.

[\*\*] Term: 14 Years

[21] Appl. No.: 552,210

[22] Filed: Nov. 15, 1983

[52] U.S. Cl. .... D34/20; D34/14

[58] Field of Search ..... D34/14, 20, 17, 19, D34/21; 280/47.35, 47.36, 79.1 R, 79.2; 296/22

[56] References Cited

U.S. PATENT DOCUMENTS

D. 145,897	11/1946	Hathaway	.....	D34/14
D. 225,839	1/1973	Bachman et al.	.....	D34/20
D. 228,063	8/1973	Keeshin et al.	.....	D34/14
2,733,094	1/1956	Carlton	.....	296/22
2,948,798	8/1960	Ness	.....	280/79.2

FOREIGN PATENT DOCUMENTS

718017 10/1966 Italy ..... 280/47.35

Primary Examiner—James M. Gandy

Assistant Examiner—Kay H. Chin

Attorney, Agent, or Firm—Jordan and Hamburg

[57] CLAIM

The ornamental design for a vending cart, as shown and described.

DESCRIPTION

FIG. 1 is a perspective view of a vending cart, showing my new design;

FIG. 2 is one side elevation view thereof, the other side being identical thereto;

FIG. 3 is one end elevation view thereof;

FIG. 4 is a top plan view thereof;

FIG. 5 is the other end elevation view thereof; and

FIG. 6 is a perspective view of a vending cart showing a second embodiment of my new design which differs from the first embodiment by the addition of identical receptacles positioned at each end of the cart and two vertical poles supporting two umbrellas and a horizontal sign support.

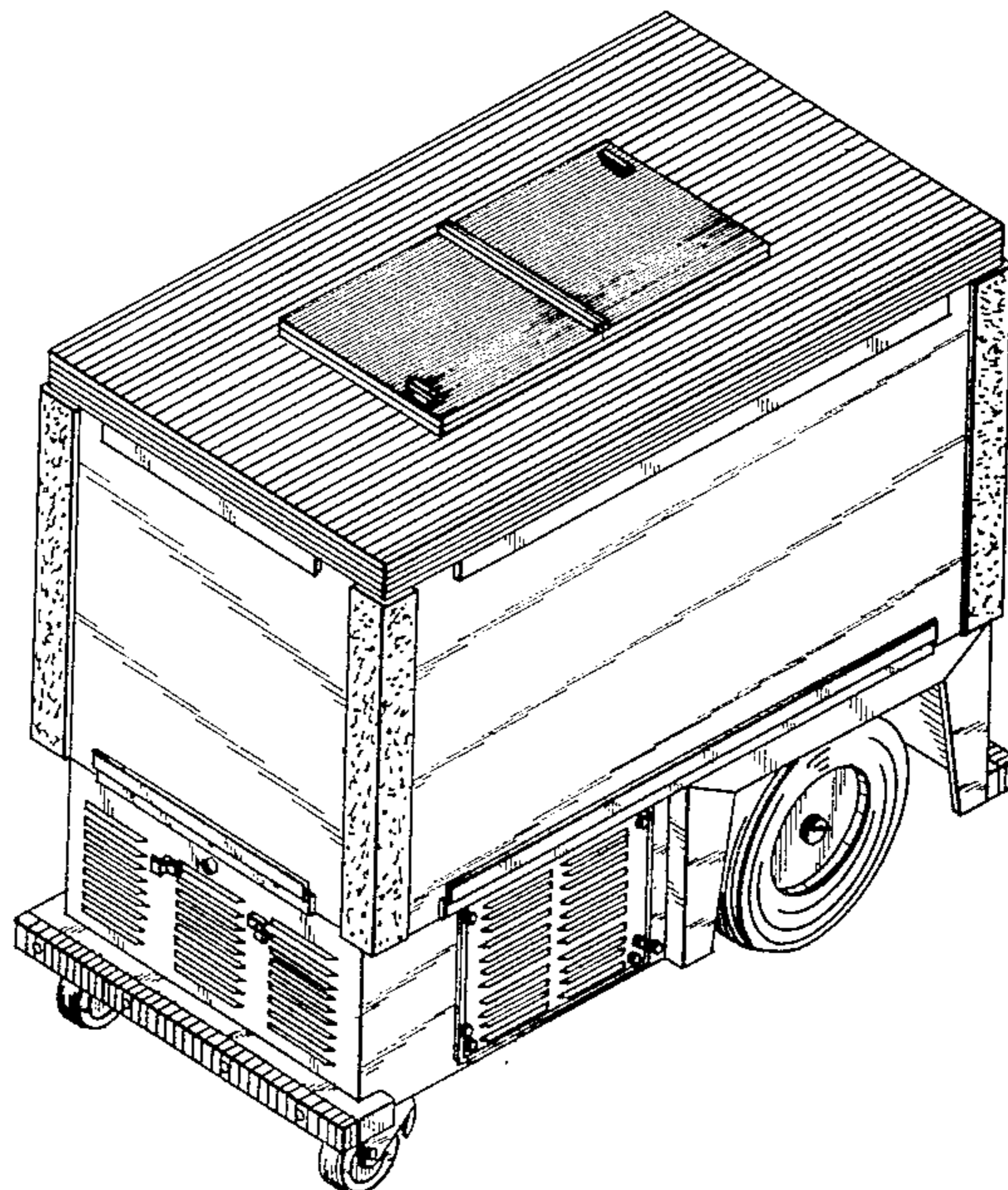


FIG. 1

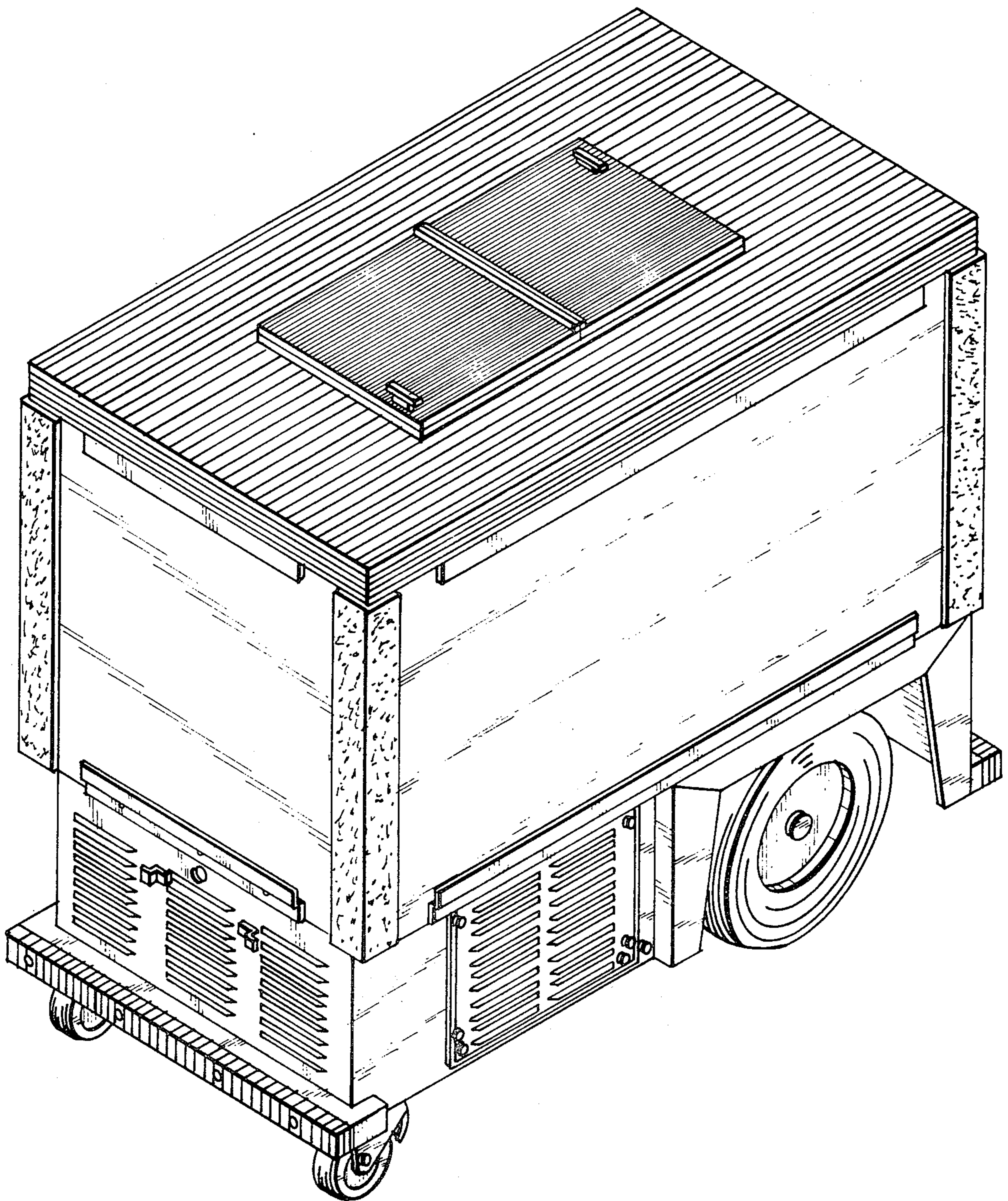


FIG. 3

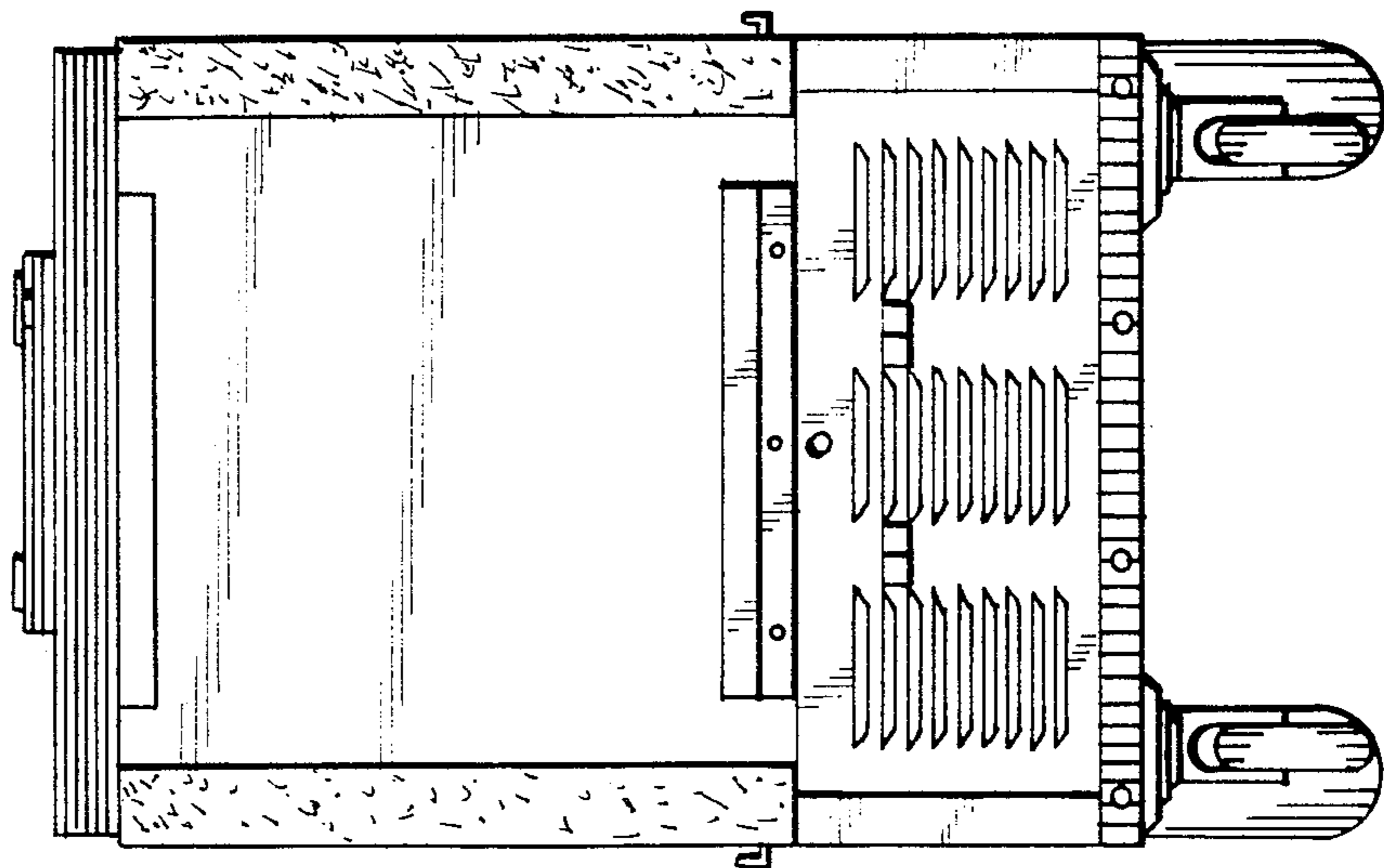


FIG. 2

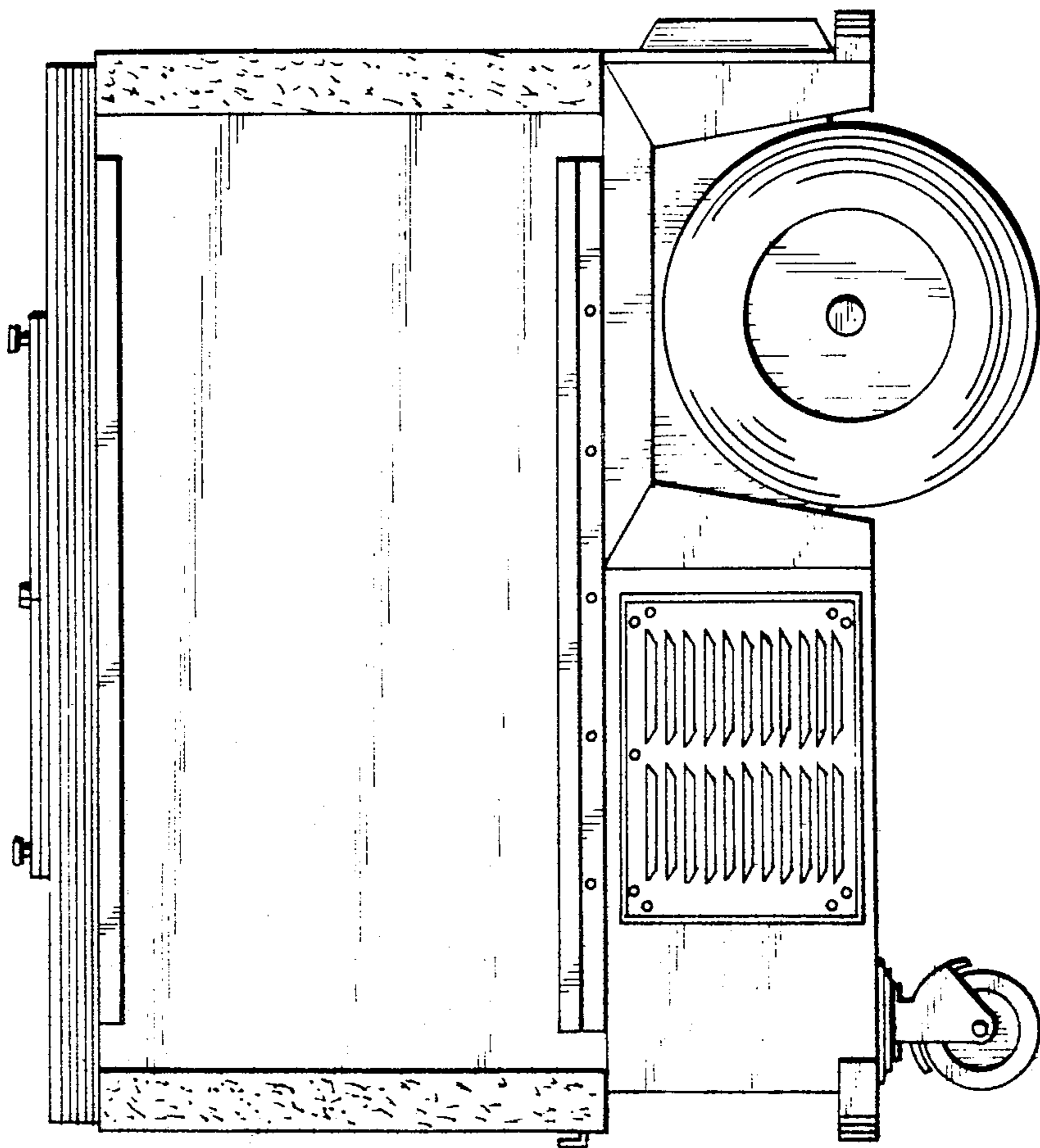


FIG. 5

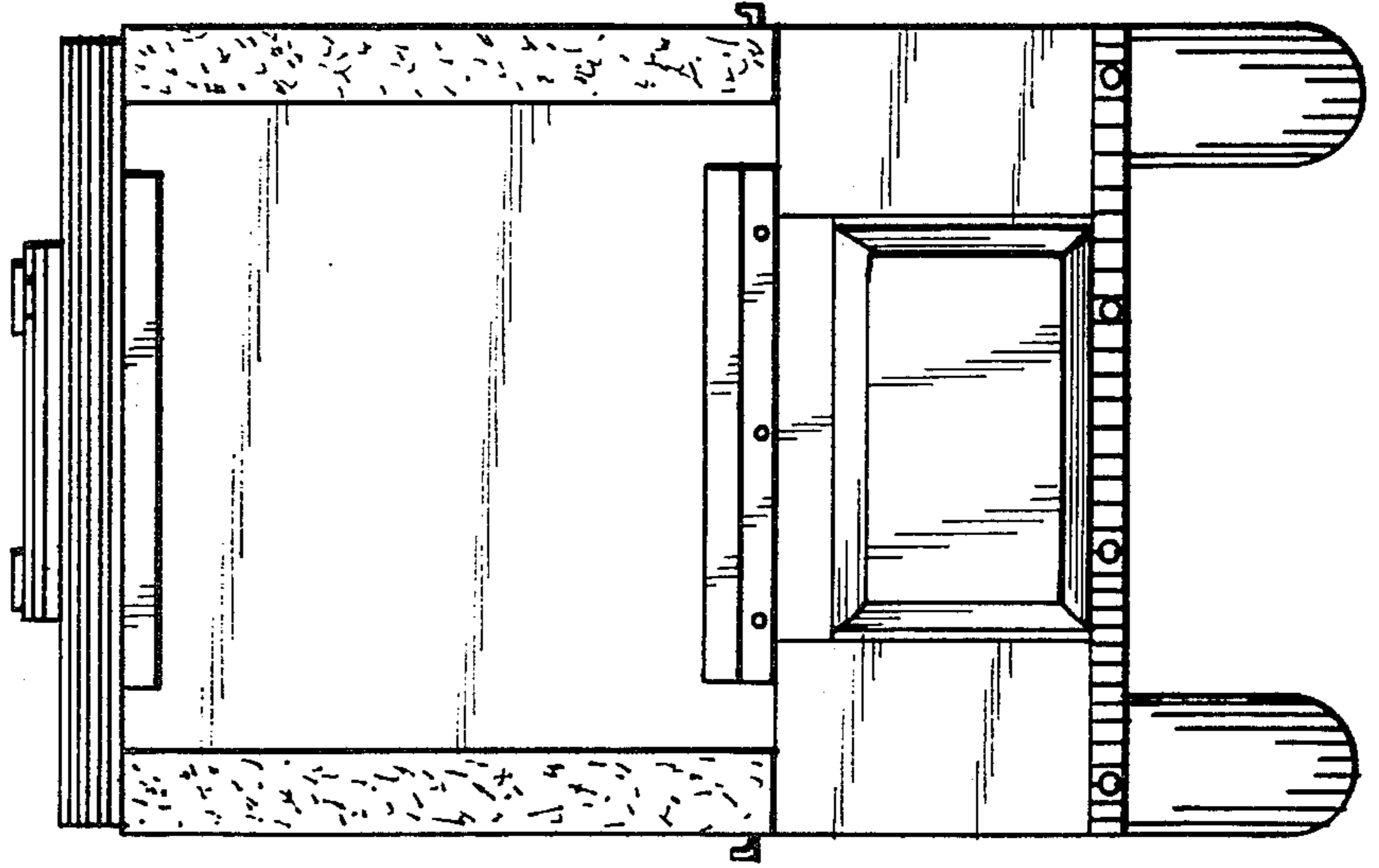


FIG. 4

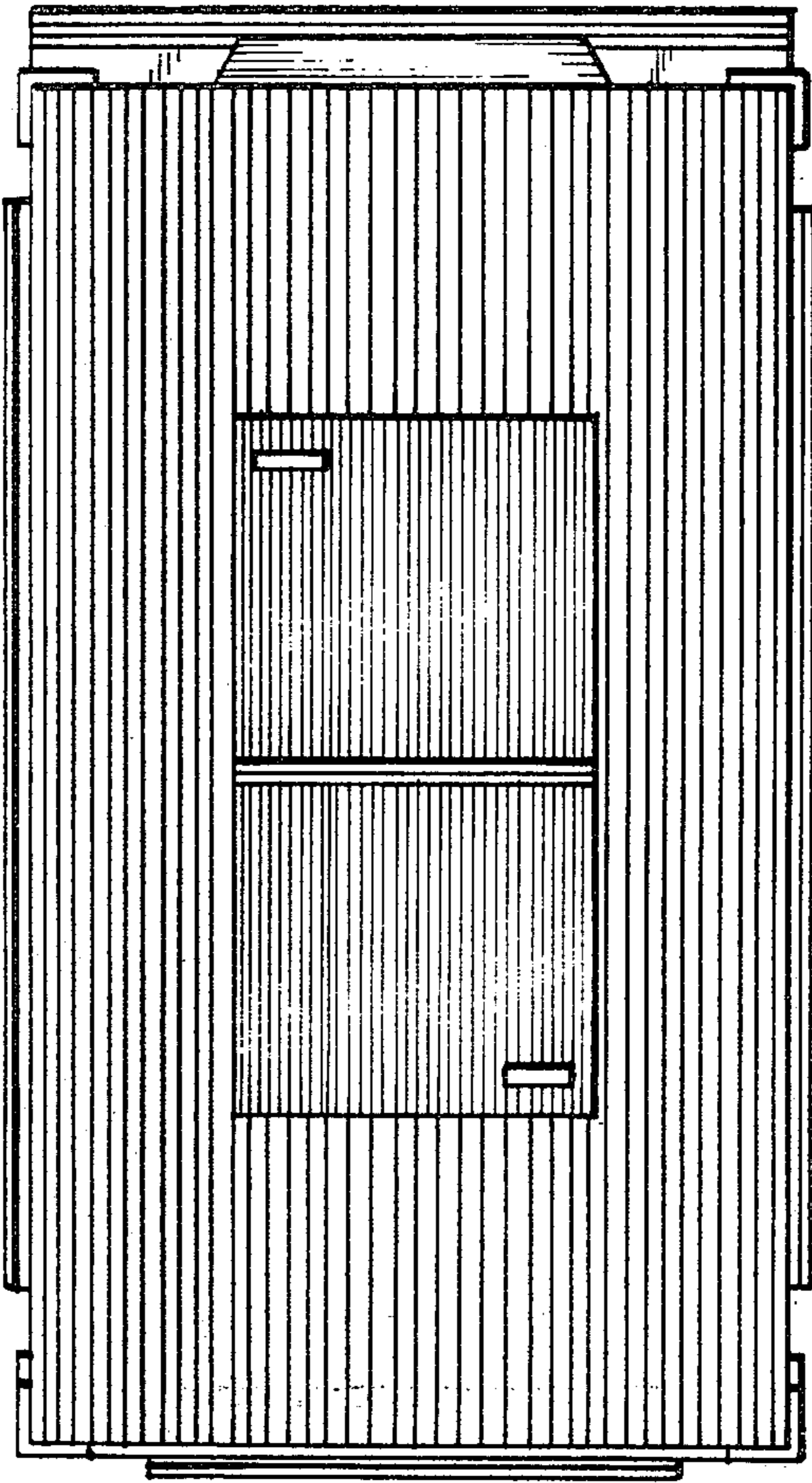


FIG. 6

