

[54] MOP HOLDER

[75] Inventors: Philip Jaros, Gloversville; Paul O. Wright, Schenectady, both of N.Y.

[73] Assignee: White Mop Wringer Company, Fultonville, N.Y.

[**] Term: 14 Years

[21] Appl. No.: 510,721

[22] Filed: Jul. 5, 1983

[52] U.S. Cl. D32/50

[58] Field of Search D32/50, 51, 52; 15/147, 15/150, 151, 229

[56] References Cited

U.S. PATENT DOCUMENTS

- Re. 6,719 10/1875 Seymour .
- 55,961 6/1866 Rodier .
- 58,872 10/1866 Morehouse .
- 67,873 8/1867 Guild .
- 113,457 4/1871 Selden et al. .
- 116,574 7/1871 Edward .
- 167,304 8/1875 Clark .
- 170,525 11/1875 Clark .
- 180,724 8/1876 Mather .
- 297,067 4/1884 Cornelius .
- 366,309 7/1887 Dew .
- 434,254 8/1890 Davis .
- 550,269 11/1895 Held .
- 592,838 11/1897 Solem .
- 684,155 10/1901 Wilburn .
- 803,769 11/1905 Loeber .
- 1,182,786 5/1916 Morrison 15/147 R

- 1,478,339 12/1923 Jayne .
- 1,960,720 5/1934 Toplitz 15/150
- 1,992,168 2/1935 Boyens et al. 15/153
- 2,440,099 4/1948 Kind 15/245
- 2,797,968 7/1957 Le Febvre et al. 19/306
- 3,075,224 1/1963 Zucker 15/229
- 3,605,161 9/1971 Moss et al. 15/150
- 3,813,724 6/1974 Unger 15/150
- 3,983,596 10/1976 Siemund 15/151 X
- 4,015,305 4/1977 Komatsu 15/150
- 4,245,368 1/1981 Cotey et al. 15/229

FOREIGN PATENT DOCUMENTS

532871 9/1955 Italy .

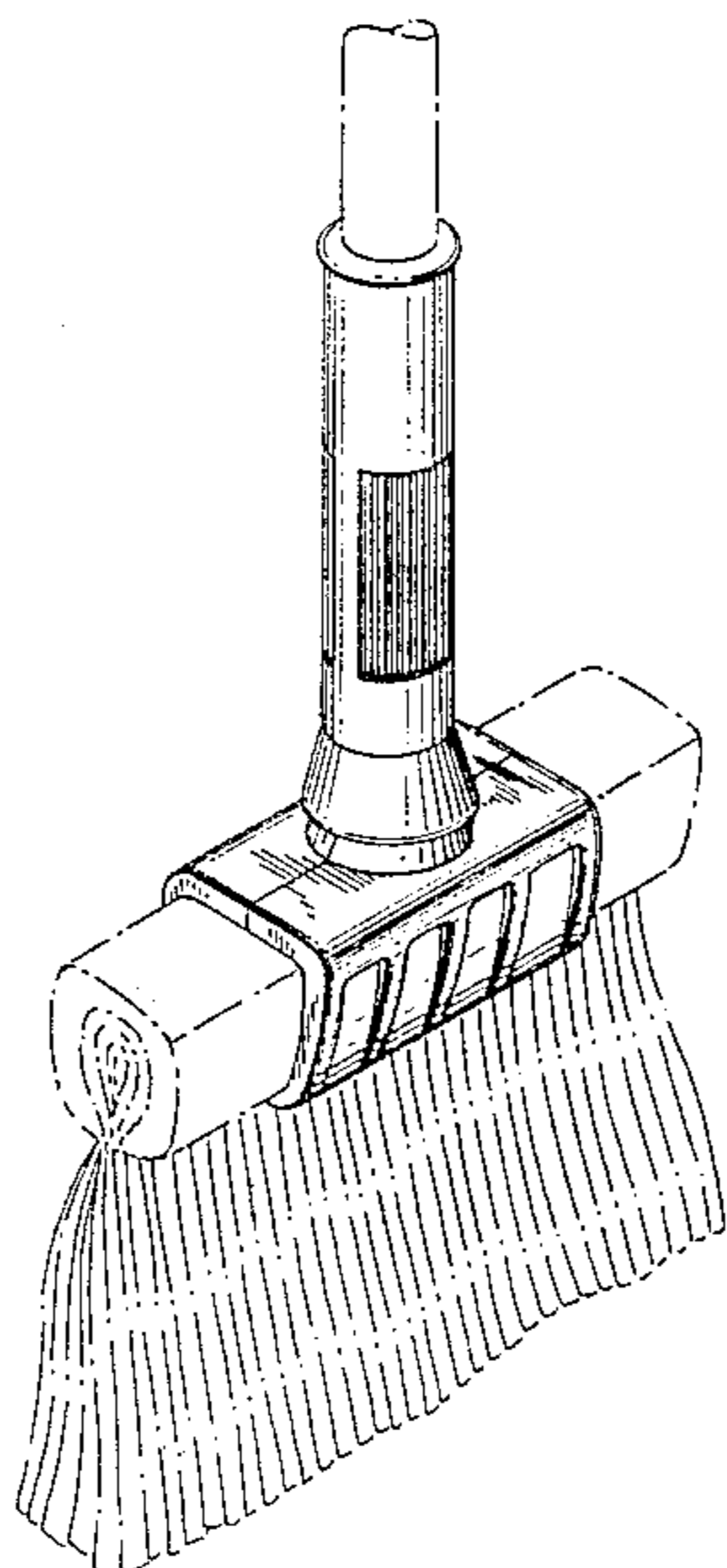
Primary Examiner—Catherine E. Kemper
Attorney, Agent, or Firm—Robert C. Morgan; Robert R. Jackson; Douglas J. Gilbert

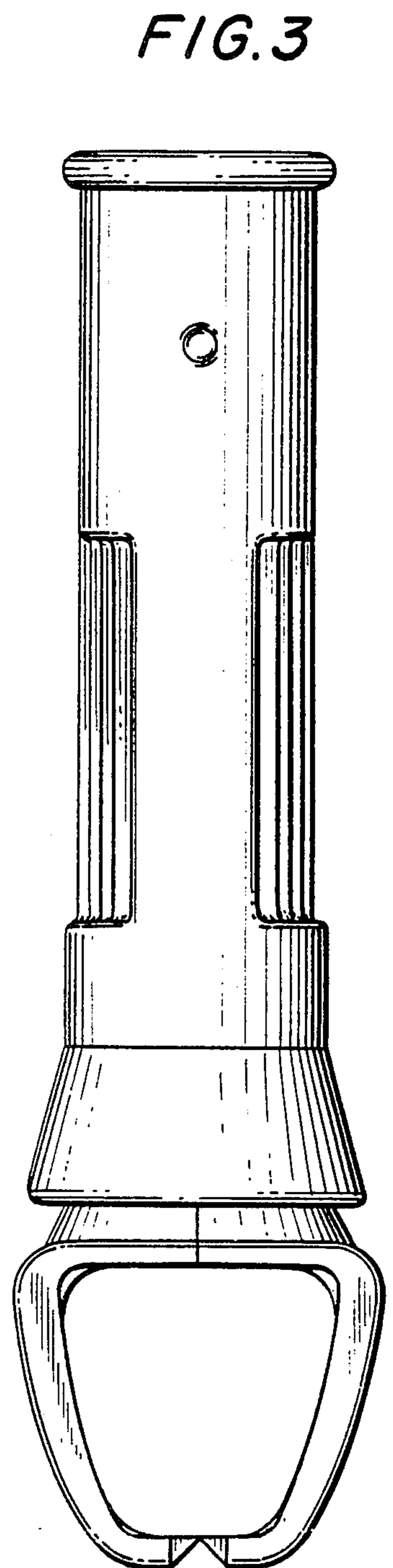
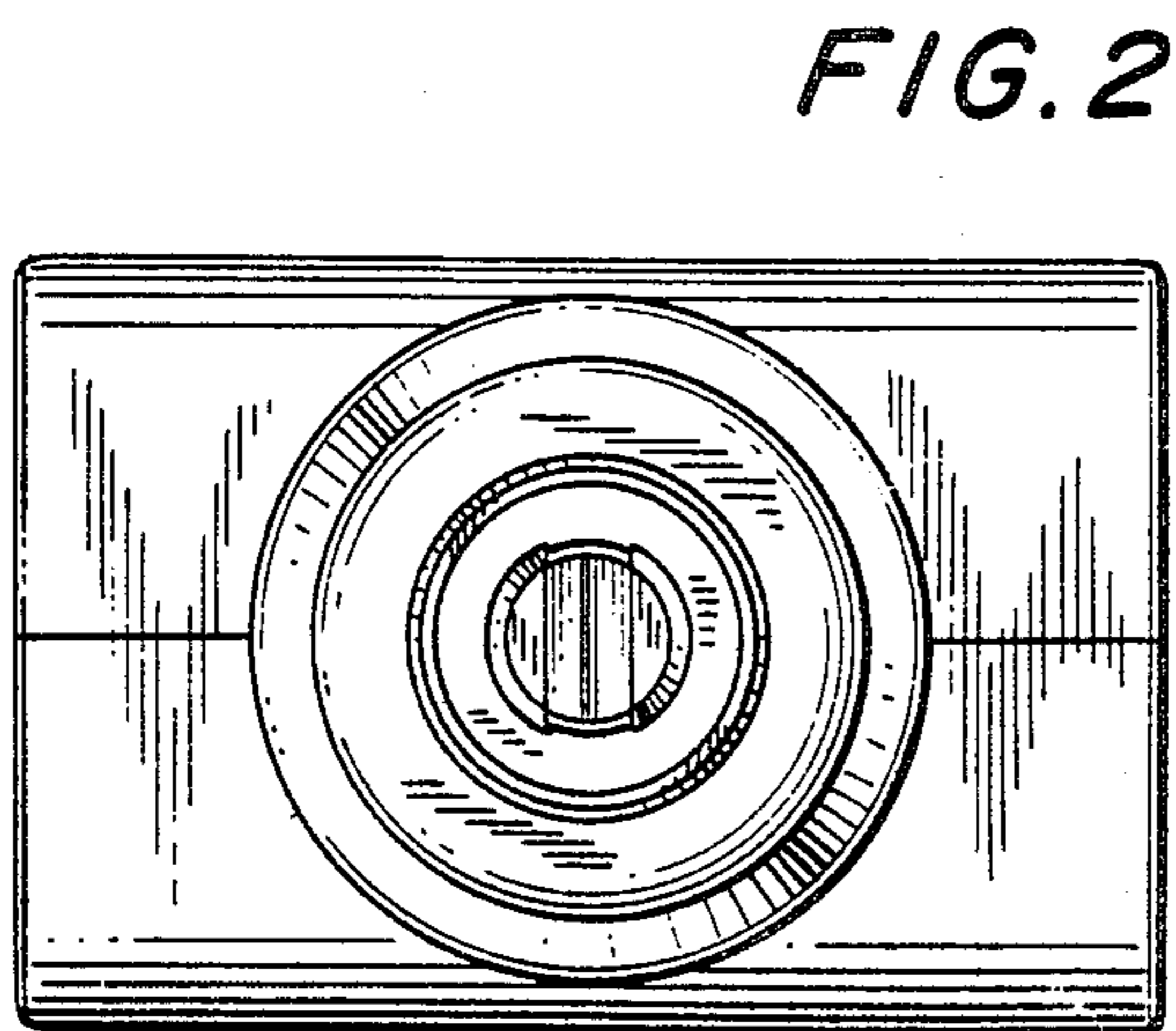
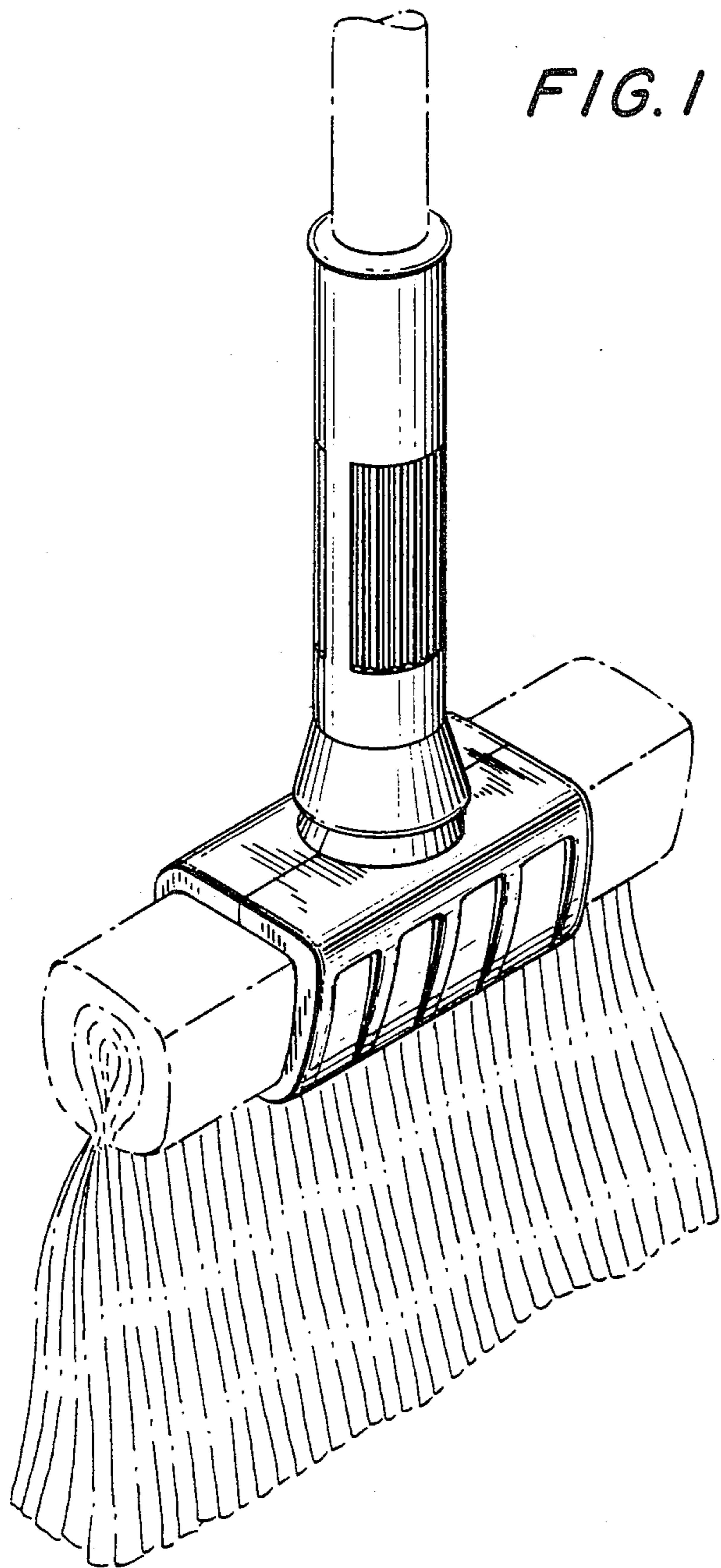
[57] CLAIM

The ornamental design for a mop holder, as shown and described.

DESCRIPTION

FIG. 1 is a top perspective view of a mop holder, showing our new design;
FIG. 2 is a top plan view thereof;
FIG. 3 is an elevational view of the end opposite that shown in FIG. 1;
FIG. 4 is a side elevational view the opposite side being a mirror image thereof;
FIG. 5 is a bottom plan view thereof.
The broken line disclosure of a mop and handle in FIG. 1 is for illustrative purposes only and forms no part of the claimed design.





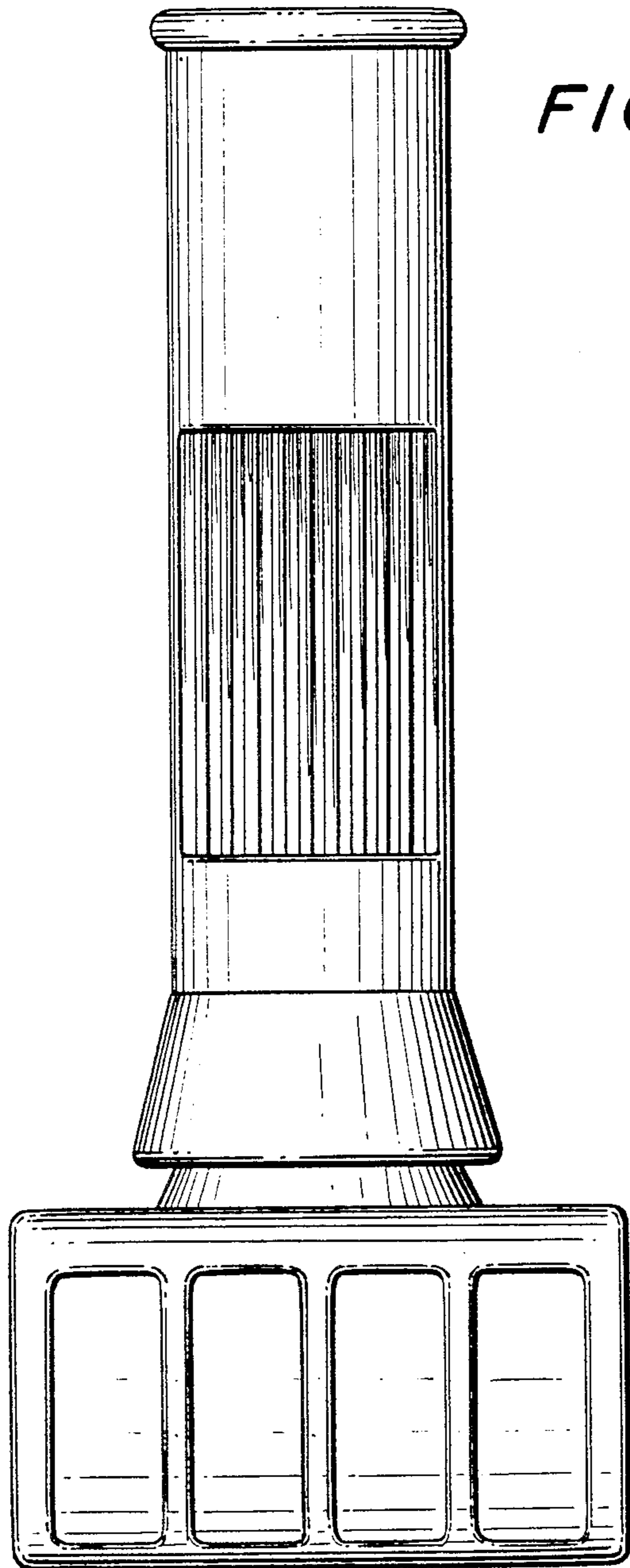


FIG. 4

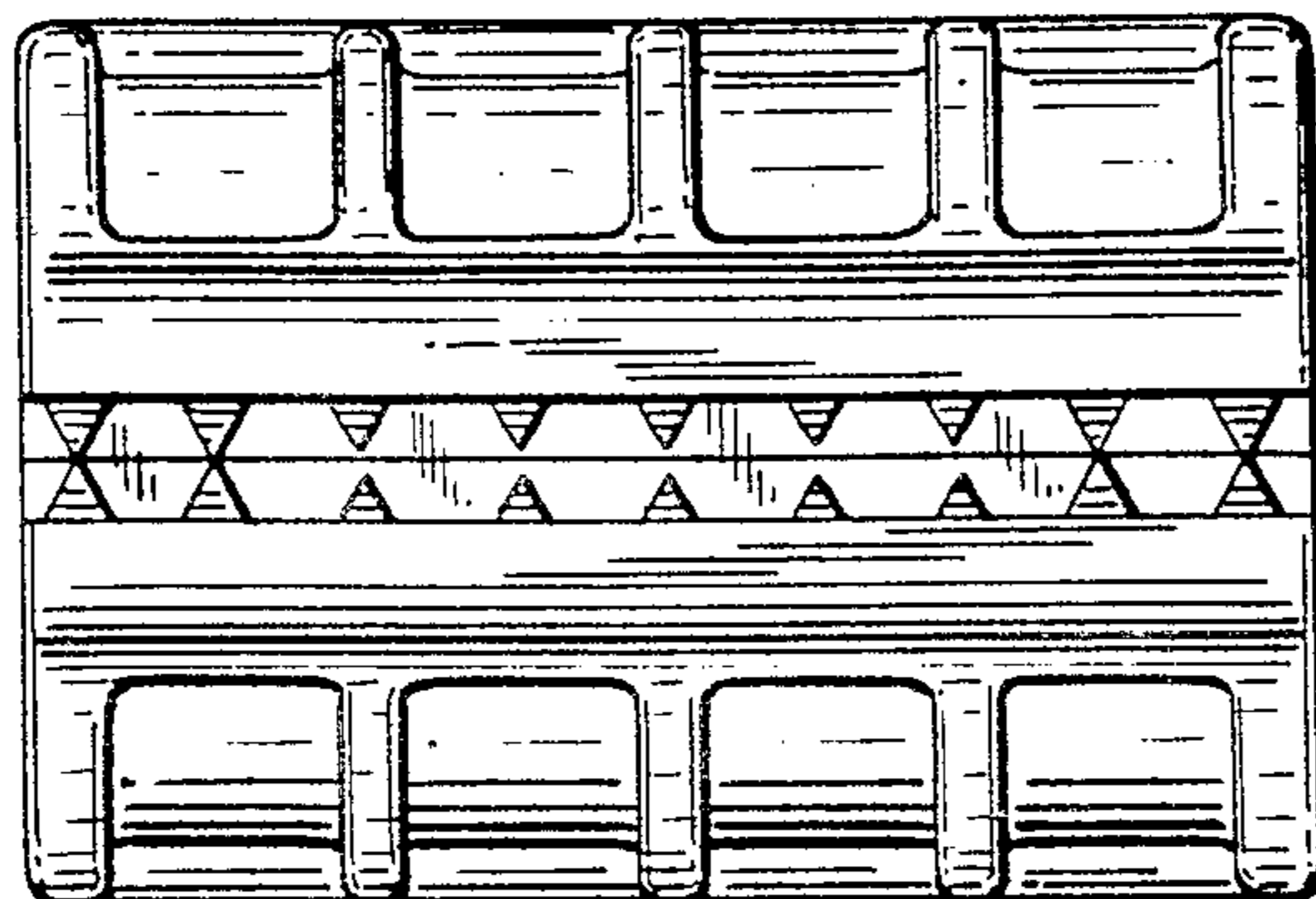


FIG. 5