

[54] **HAIR DRYER**

[75] Inventor: **John Wistrand**, New Canaan, Conn.

[73] Assignee: **Clairol Incorporated**, New York, N.Y.

[**] Term: **14 Years**

[21] Appl. No.: **539,200**

[22] Filed: **Oct. 5, 1983**

[52] U.S. Cl. **D28/13**

[58] Field of Search D28/9, 10, 12, 13, 15-18,
D28/99; 34/96-101; 219/222; 132/9

[56] **References Cited**

U.S. PATENT DOCUMENTS

- D. 258,014 1/1981 Lam D28/13
- D. 265,767 8/1982 Stewart et al. D28/13
- D. 268,369 3/1983 McBrien D28/13

- D. 276,941 12/1984 Stansbury, Jr. D28/13
- D. 278,085 3/1985 Rittenhouse et al. D28/13

Primary Examiner—Louis S. Zarfes
Attorney, Agent, or Firm—John J. Balsler

[57] **CLAIM**

The ornamental design for a hair dryer, substantially as shown and described.

DESCRIPTION

FIG. 1 is a top plan view of a dryer showing my new design;

FIG. 2 is a right side elevational view thereof, the conventional power cord being broken away for ease of illustration;

FIG. 3 is a front elevational view thereof;

FIG. 4 is a back elevational view thereof;

FIG. 5 is a left side elevational view thereof; and

FIG. 6 is a bottom plan view thereof.

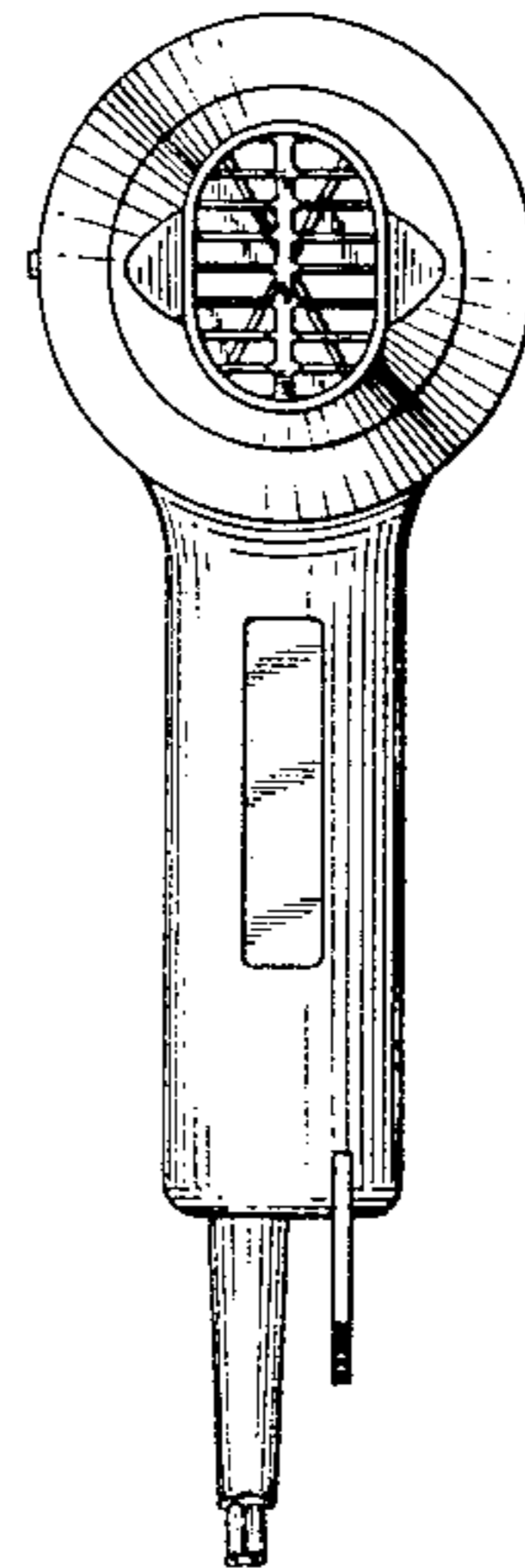
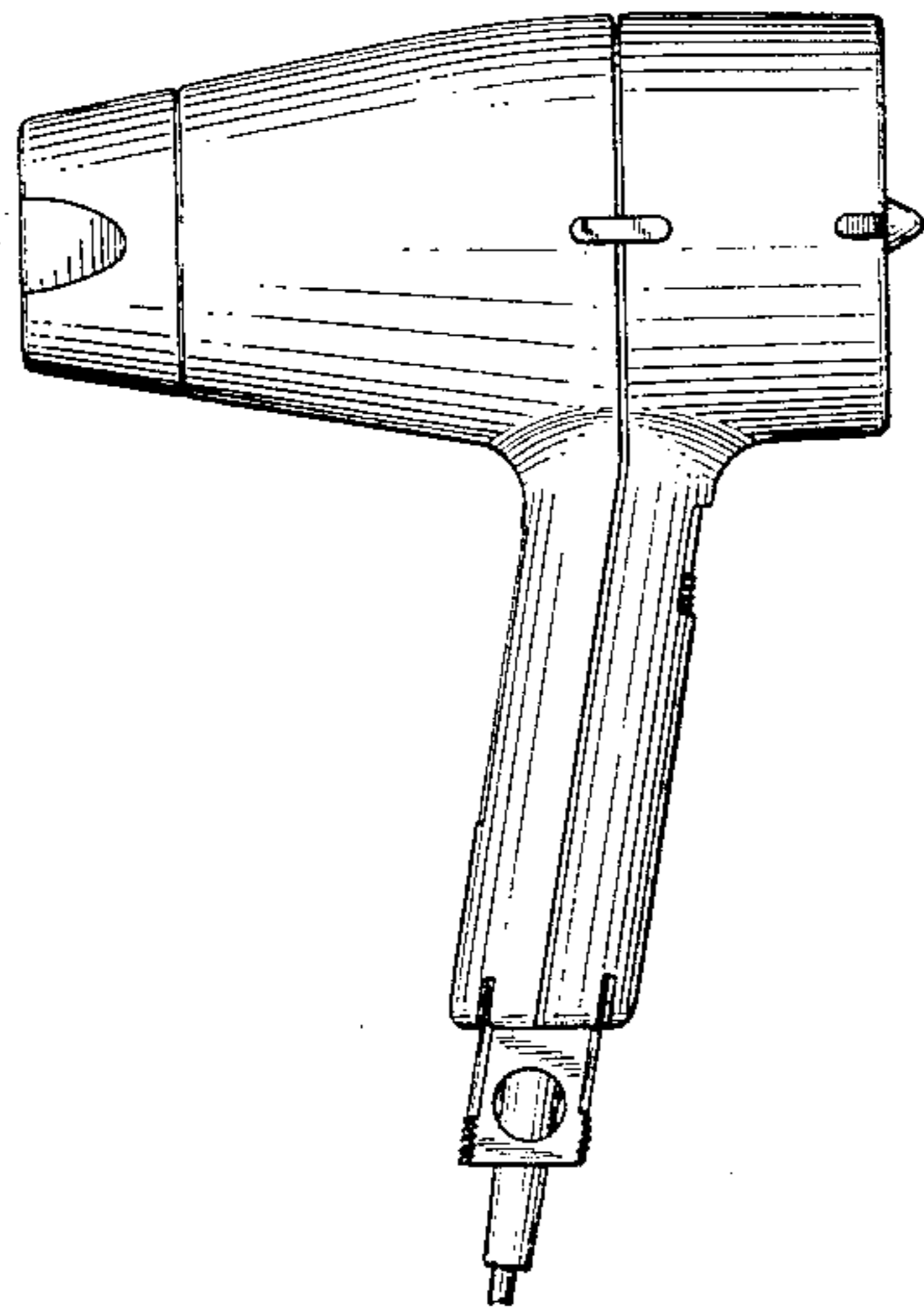


FIG. 1

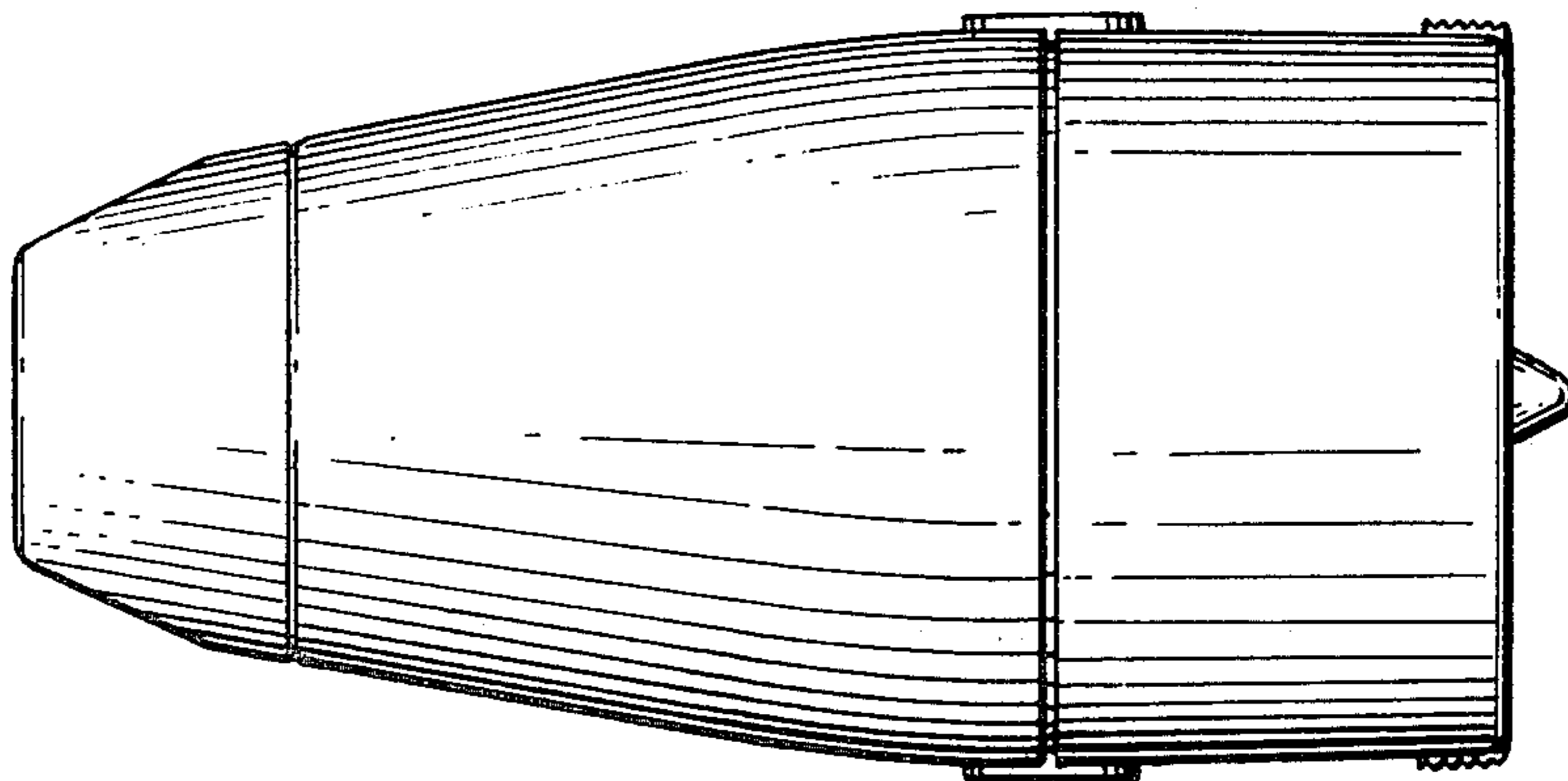
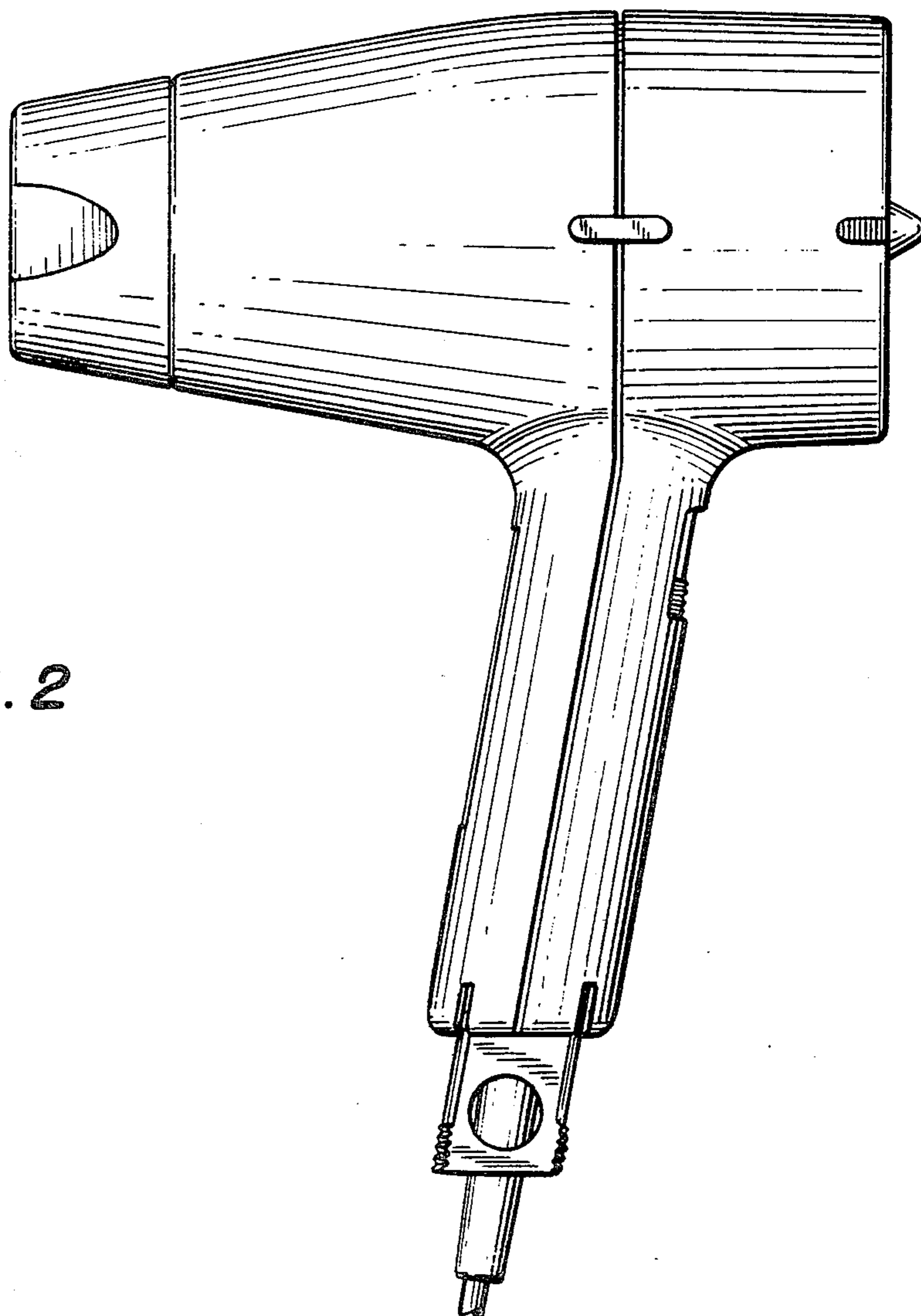


FIG. 2



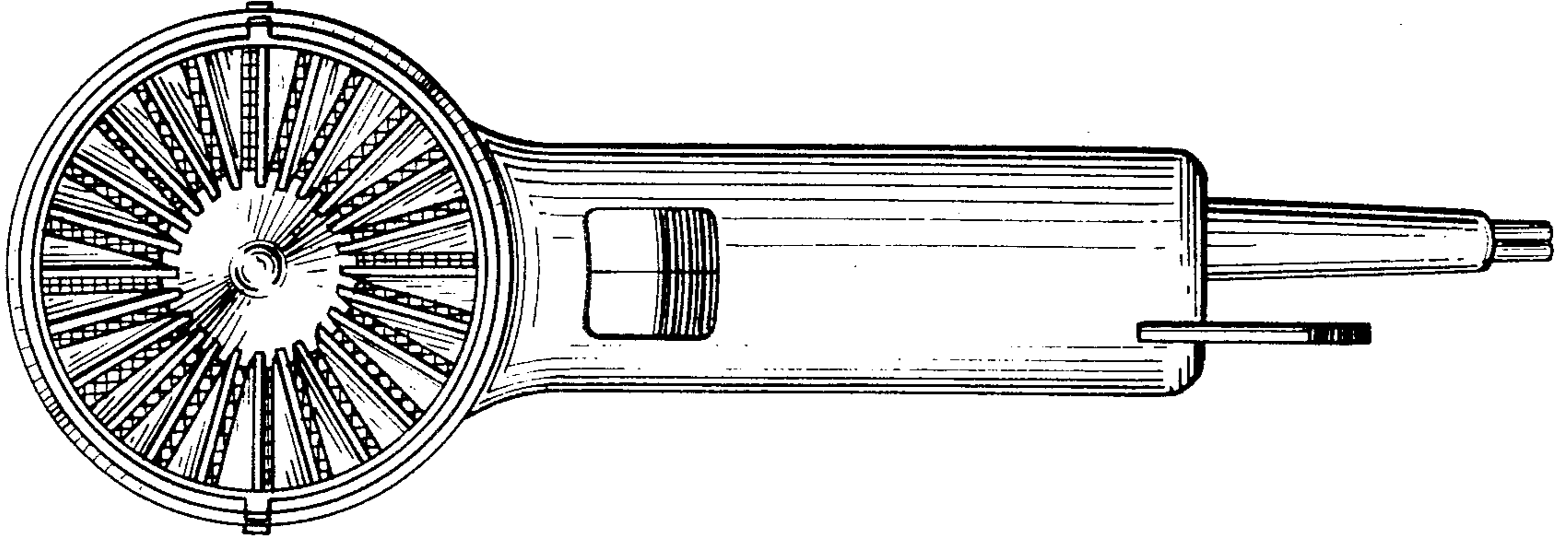


FIG. 4

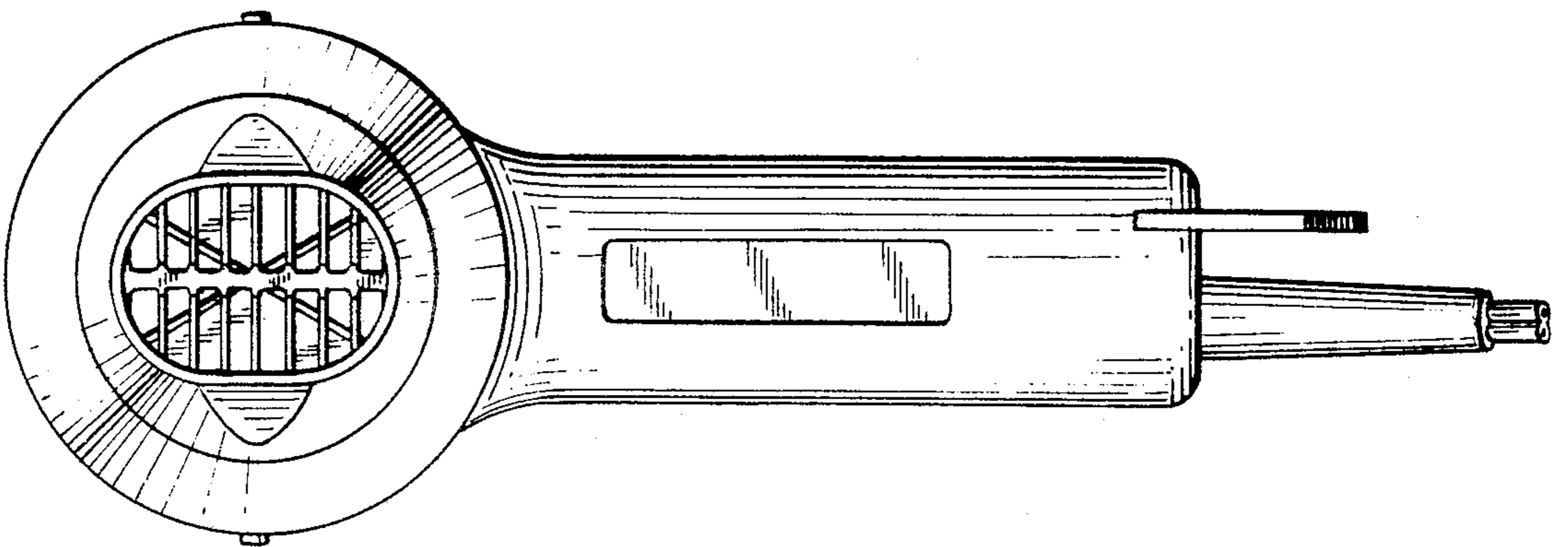


FIG. 3

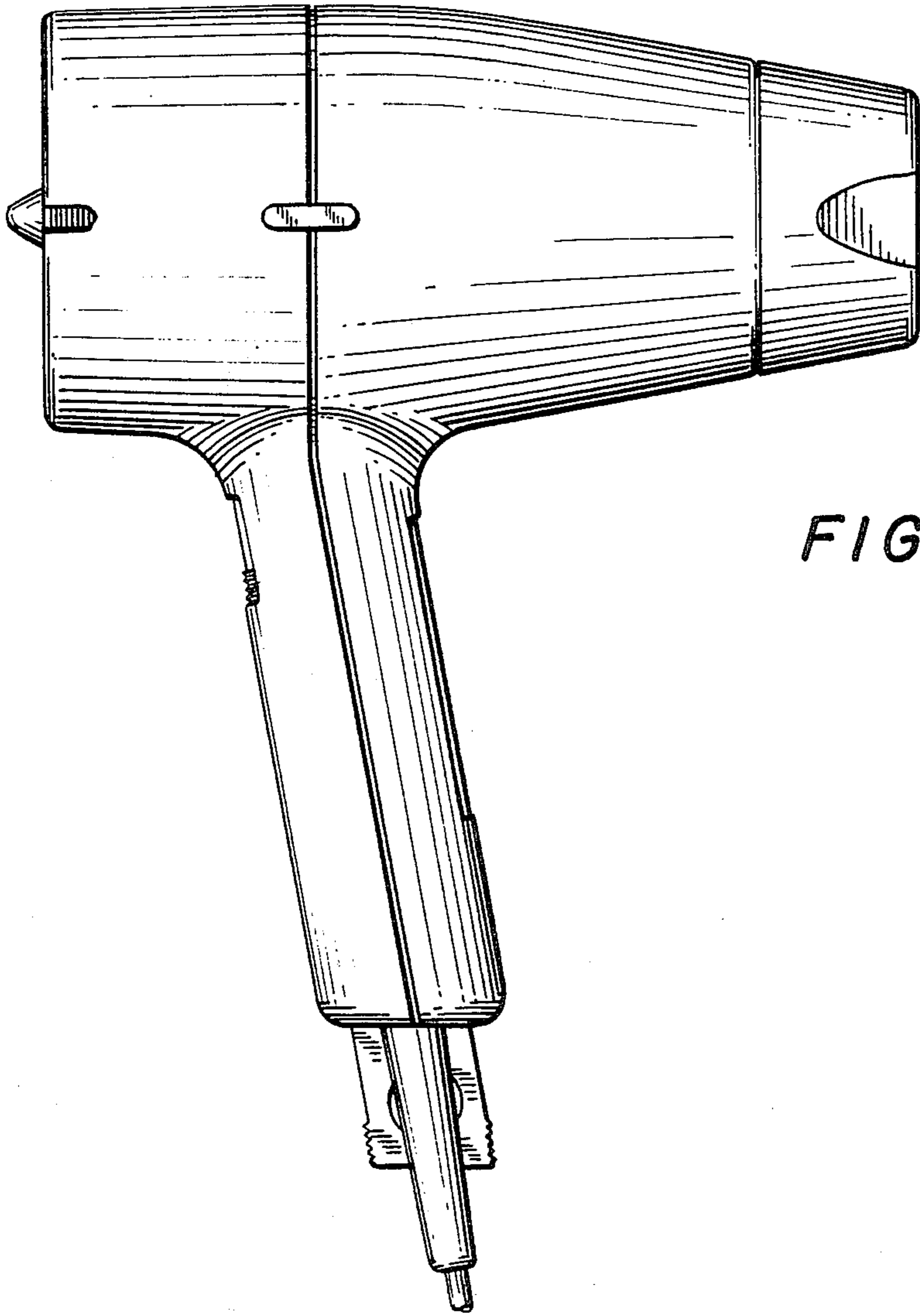


FIG. 5

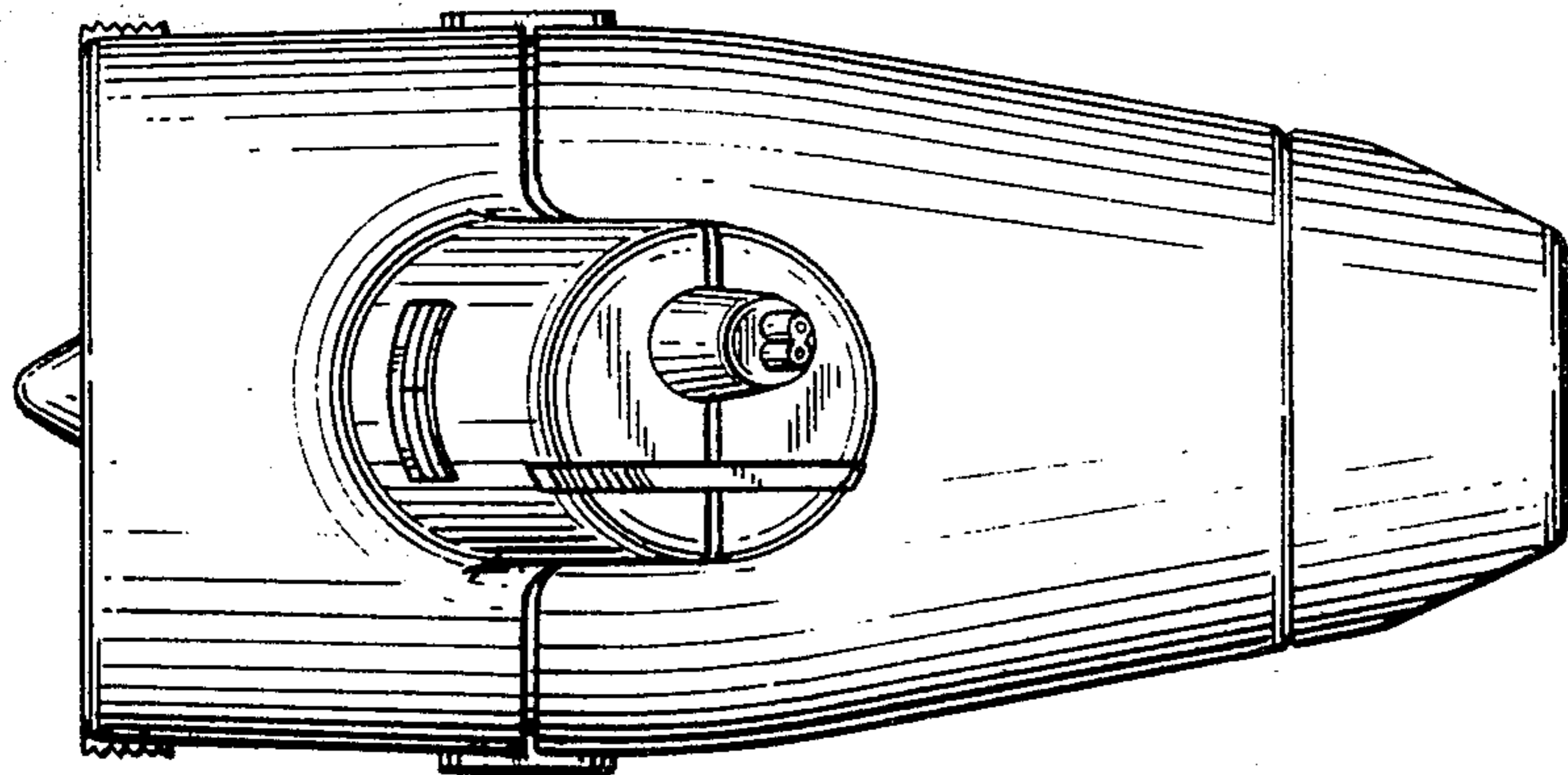


FIG. 6