

[54] **TABLE LAMP**

[76] Inventor: **Ernesto Gismondi**, Piazzetta Brera,  
24/4, Milan, Italy

[\*\*] Term: **14 Years**

[21] Appl. No.: **470,834**

[22] Filed: **Feb. 28, 1983**

[30] **Foreign Application Priority Data**

Sep. 10, 1982 [IT] Italy ..... 22841B/82  
[52] **U.S. Cl.** ..... **D26/63**  
[58] **Field of Search** ..... D26/61-66;  
362/269, 271, 275, 277, 279, 413, 414, 418, 427

[56] **References Cited**

**U.S. PATENT DOCUMENTS**

D. 122,711 9/1940 May ..... D26/63  
D. 215,480 9/1969 Froelich et al. .... D26/65  
3,341,702 9/1967 Newmann ..... 362/269

**FOREIGN PATENT DOCUMENTS**

2148093 5/1972 Fed. Rep. of Germany ..... 362/413

**OTHER PUBLICATIONS**

Abitare Supplement-Lamps, p. 26, "Praxis" Table Lamp.  
Lighting Design and Application, 10-1978, p. 49, "Eye-shade" Lamps Shades and Handles.

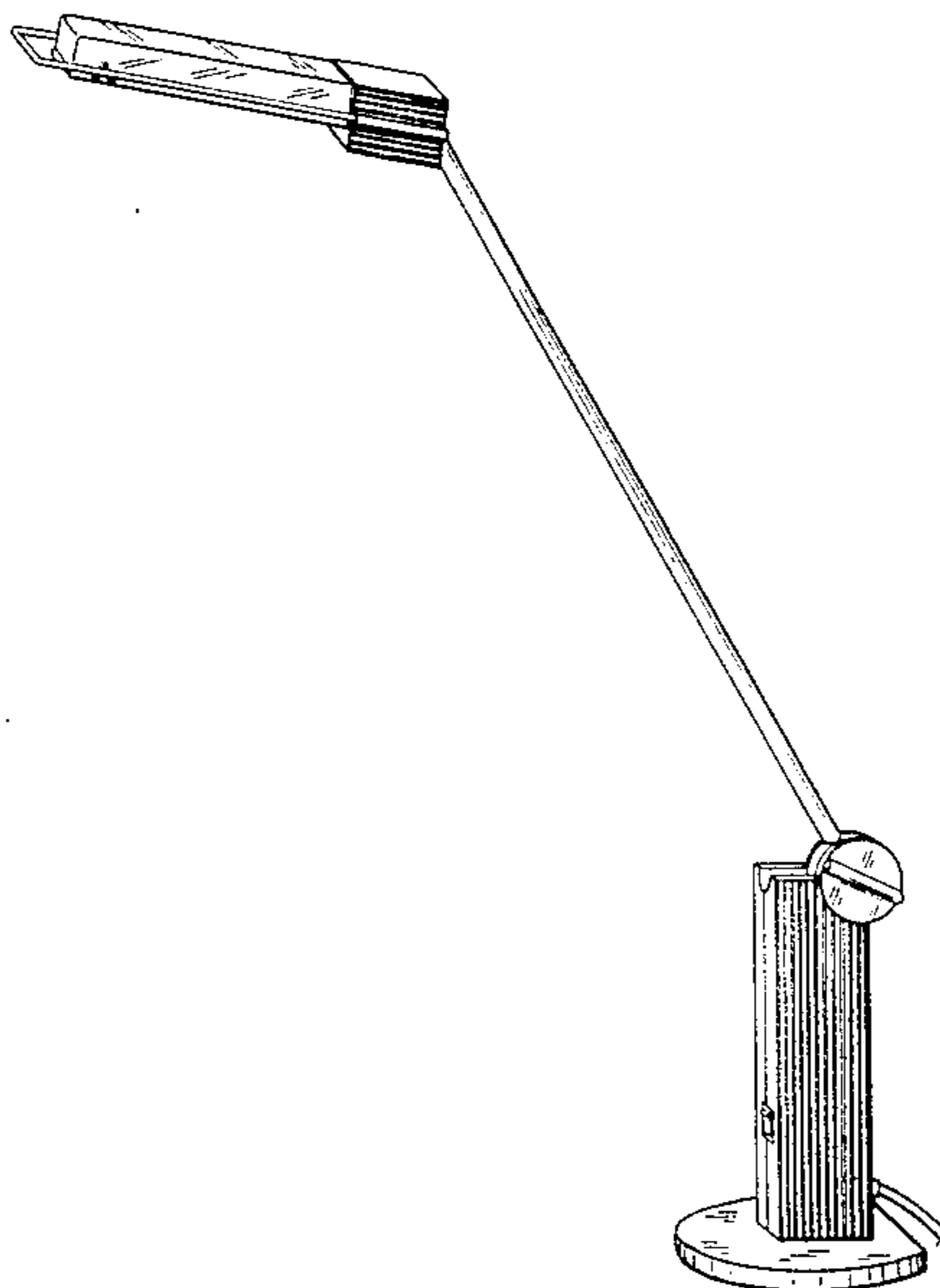
*Primary Examiner*—Susan J. Lucas  
*Attorney, Agent, or Firm*—Guido Modiano; Albert Josif

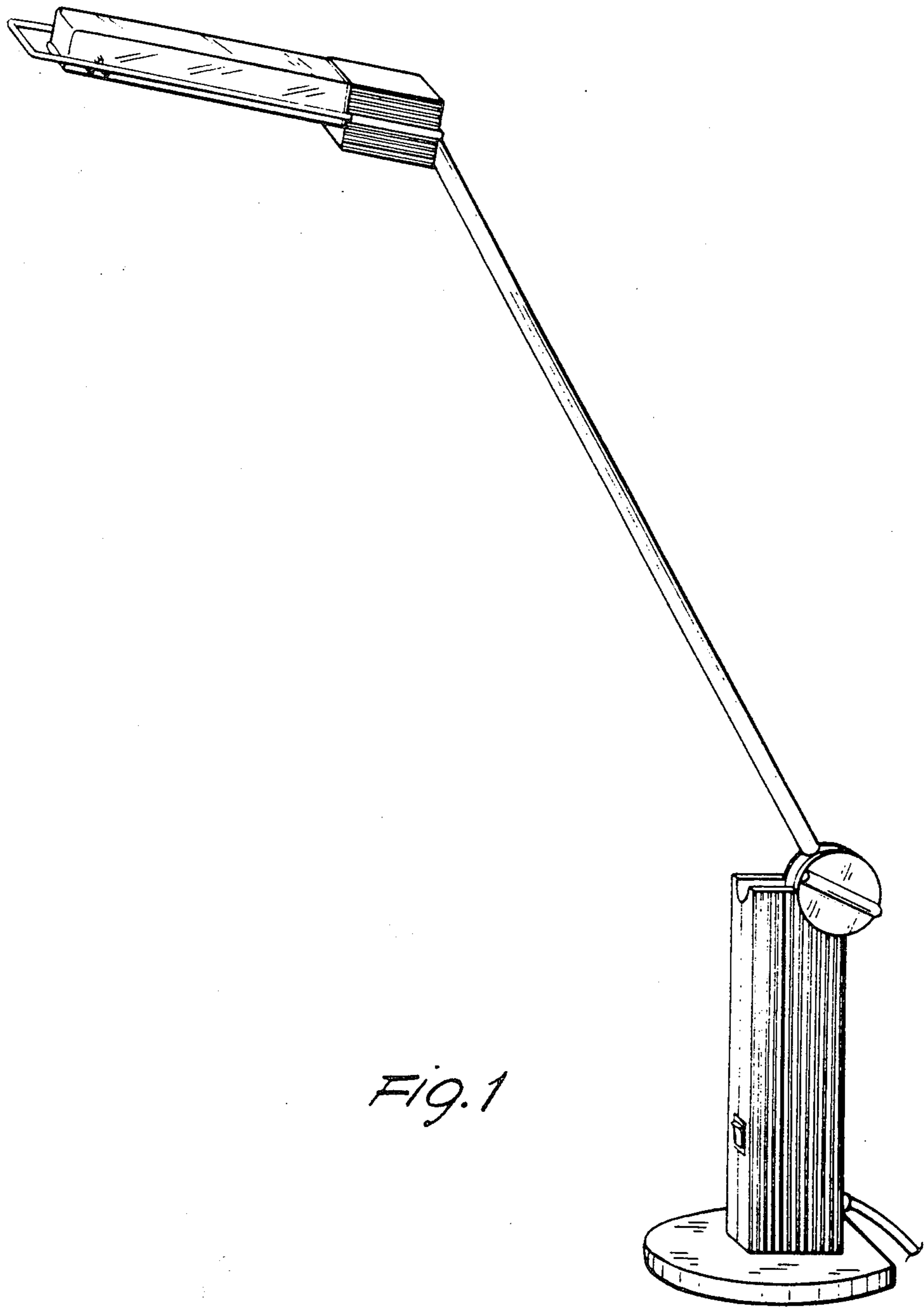
[57] **CLAIM**

The ornamental design for a table lamp, as shown and described.

**DESCRIPTION**

FIG. 1 is a perspective view of a table lamp showing my new design;  
FIG. 2 is a perspective view thereof with the arm of the lamp positioned in a different way with respect to FIG. 1;  
FIG. 3 is a plan view from above thereof;  
FIG. 4 is a plan view from below thereof;  
FIG. 5 is a lateral elevational view thereof from one side;  
FIG. 6 is a lateral elevational view thereof from the other side;  
FIG. 7 is a rear elevational view thereof;  
FIG. 8 is a front elevational view thereof.





*FIG. 1*

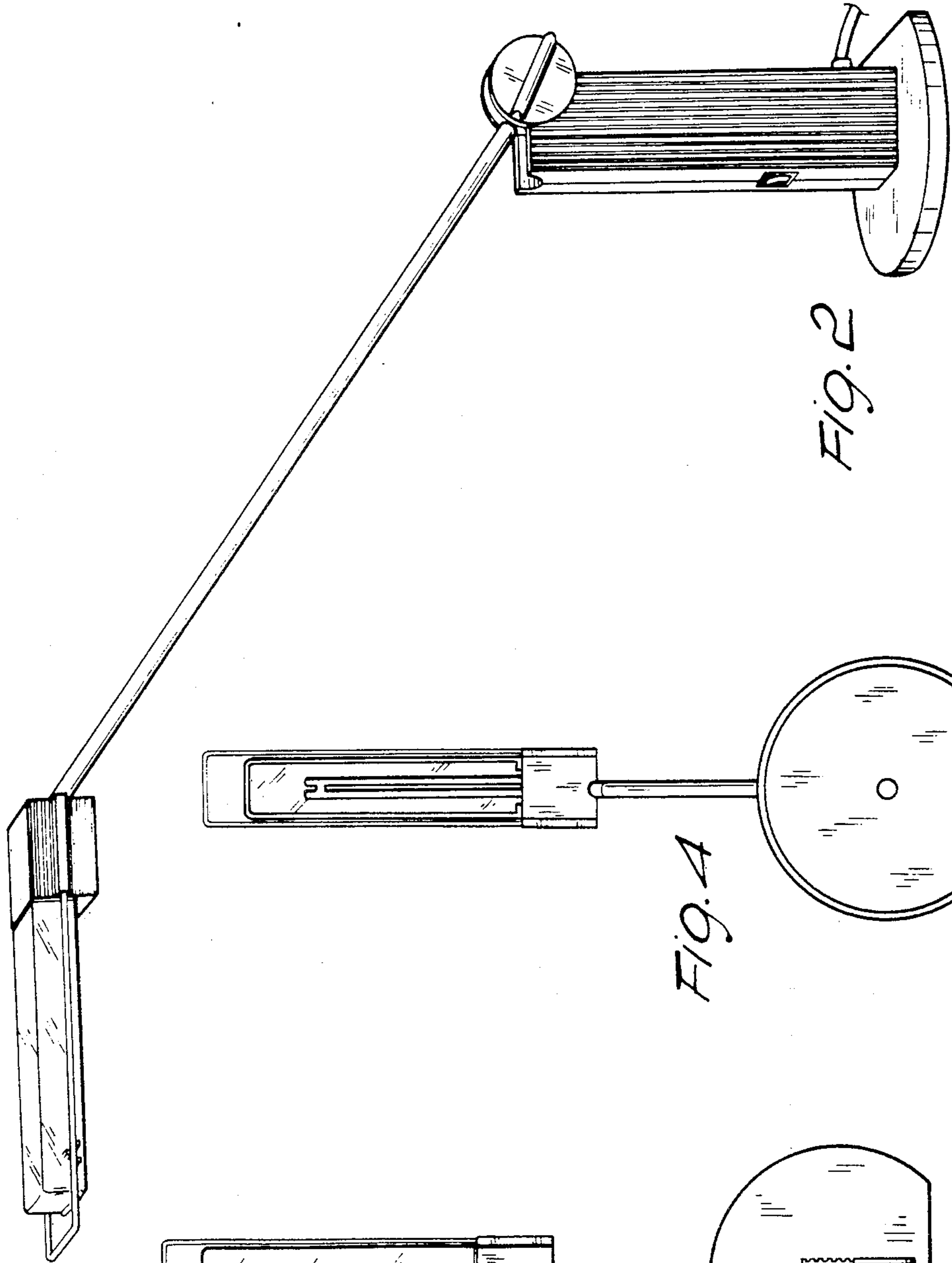


FIG. 2

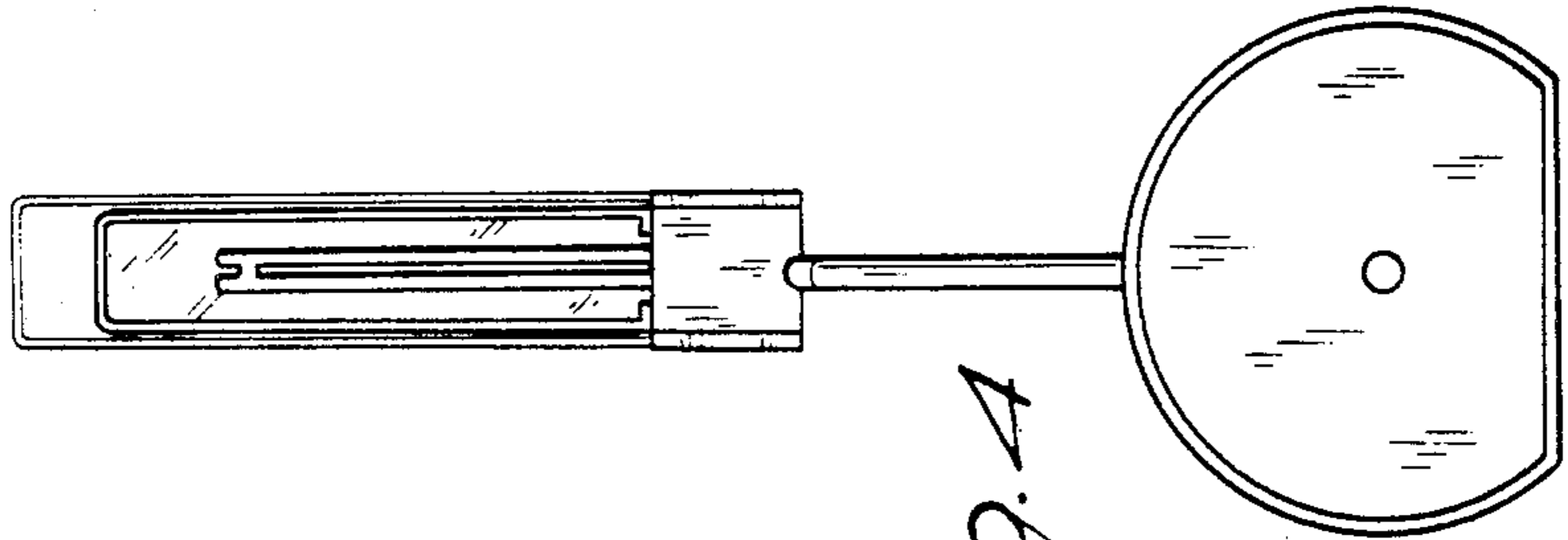


FIG. 4

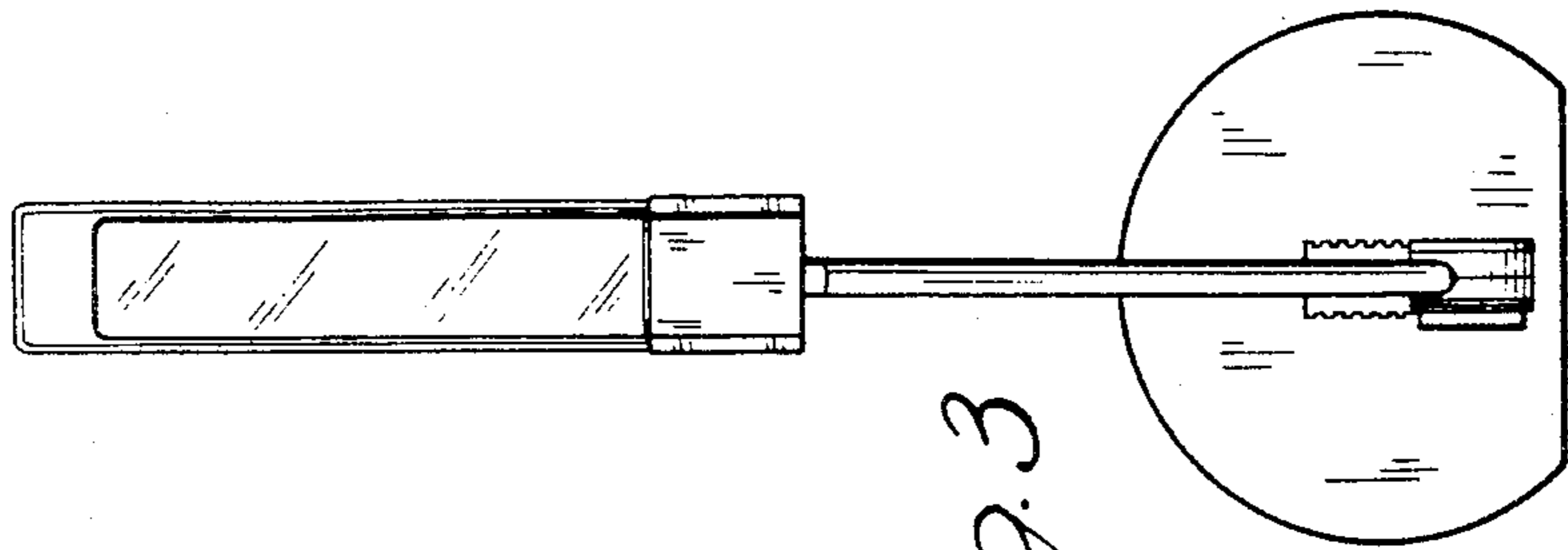


FIG. 3

