

[54] **MOTORCYCLE LIGHT**

[76] Inventor: **Michael G. Ofield**, 1061 Harding St.,
Long Beach, Calif. 90810

[**] Term: **14 Years**

[21] Appl. No.: **510,651**

[22] Filed: **Jul. 5, 1983**

Related U.S. Application Data

[63] Continuation-in-part of Ser. No. 400,862, Jul. 22, 1982,
abandoned.

[52] **U.S. Cl.** **D26/28**

[58] **Field of Search** **D26/28-37;**
362/72, 61, 80, 81, 82, 83, 235, 267, 297, 310,
311, 362

References Cited

U.S. PATENT DOCUMENTS

3,761,957 9/1973 Jarrett 362/311 X

FOREIGN PATENT DOCUMENTS

1605914 7/1973 Fed. Rep. of Germany 362/297
1055930 1/1967 United Kingdom 362/80

Primary Examiner—Susan J. Lucas
Attorney, Agent, or Firm—Fulwider, Patton, Rieber,
Lee & Utecht

[57] **CLAIM**

The ornamental design for a motorcycle light, substan-
tially as shown.

DESCRIPTION

FIG. 1 is a perspective view of a motorcycle light,
showing my new design;
FIG. 2 is a right side elevational view thereof;
FIG. 3 is a left side elevational view thereof;
FIG. 4 is a top plan view thereof;
FIG. 5 is a bottom plan view thereof;
FIG. 6 is a front elevational view thereof; and
FIG. 7 is a rear elevational view thereof.

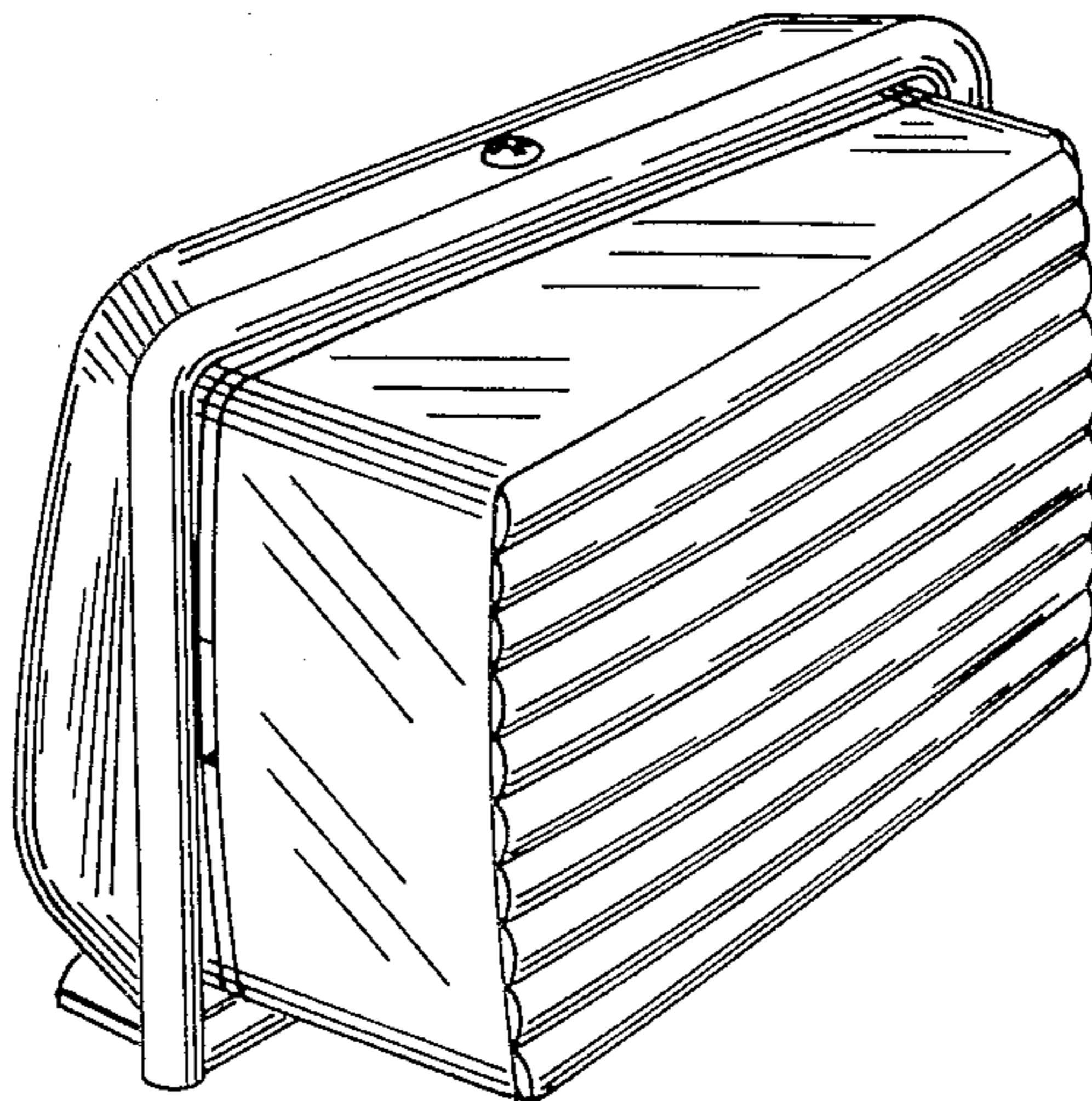


FIG. 1

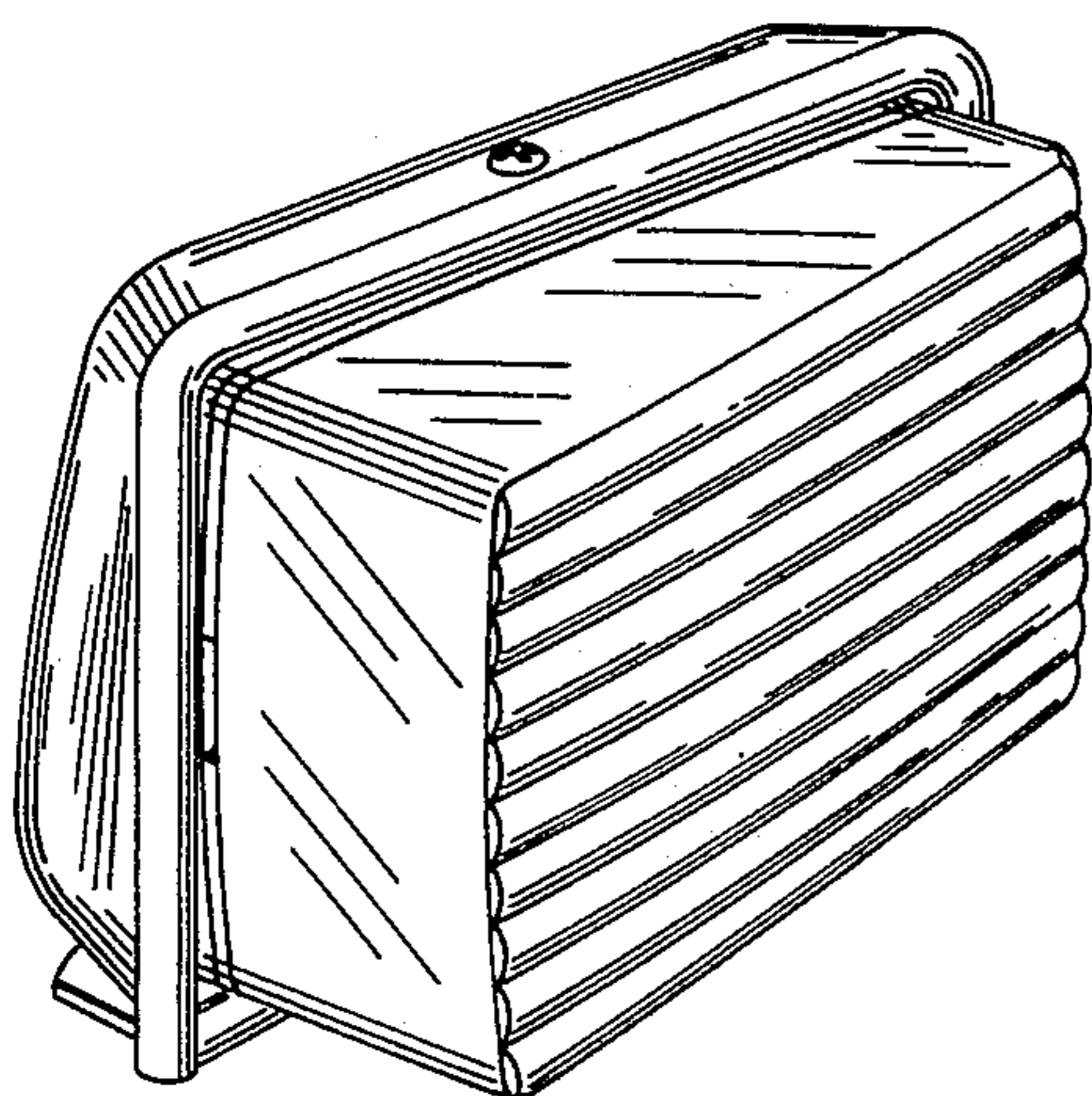


FIG. 2

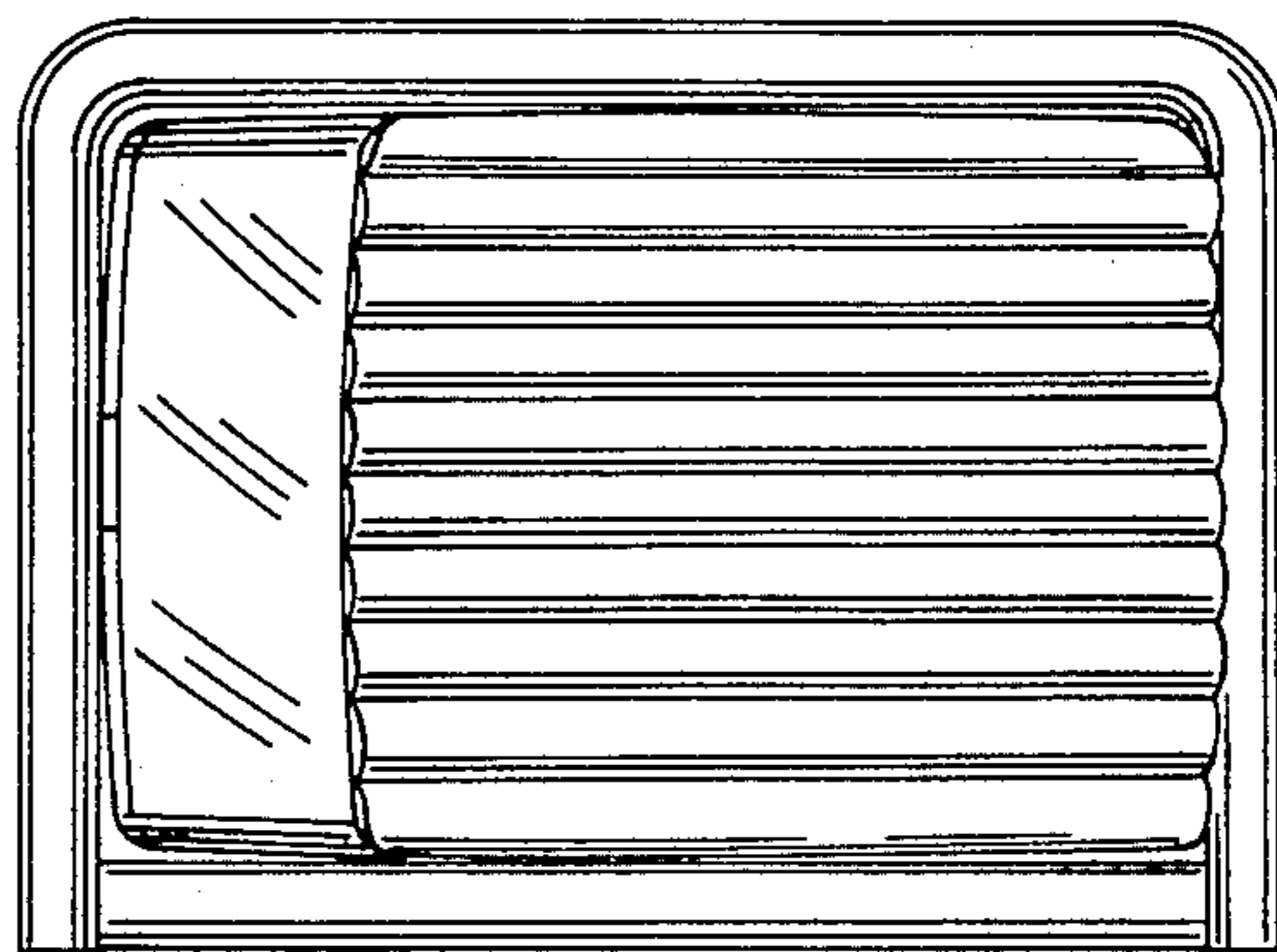


FIG. 3

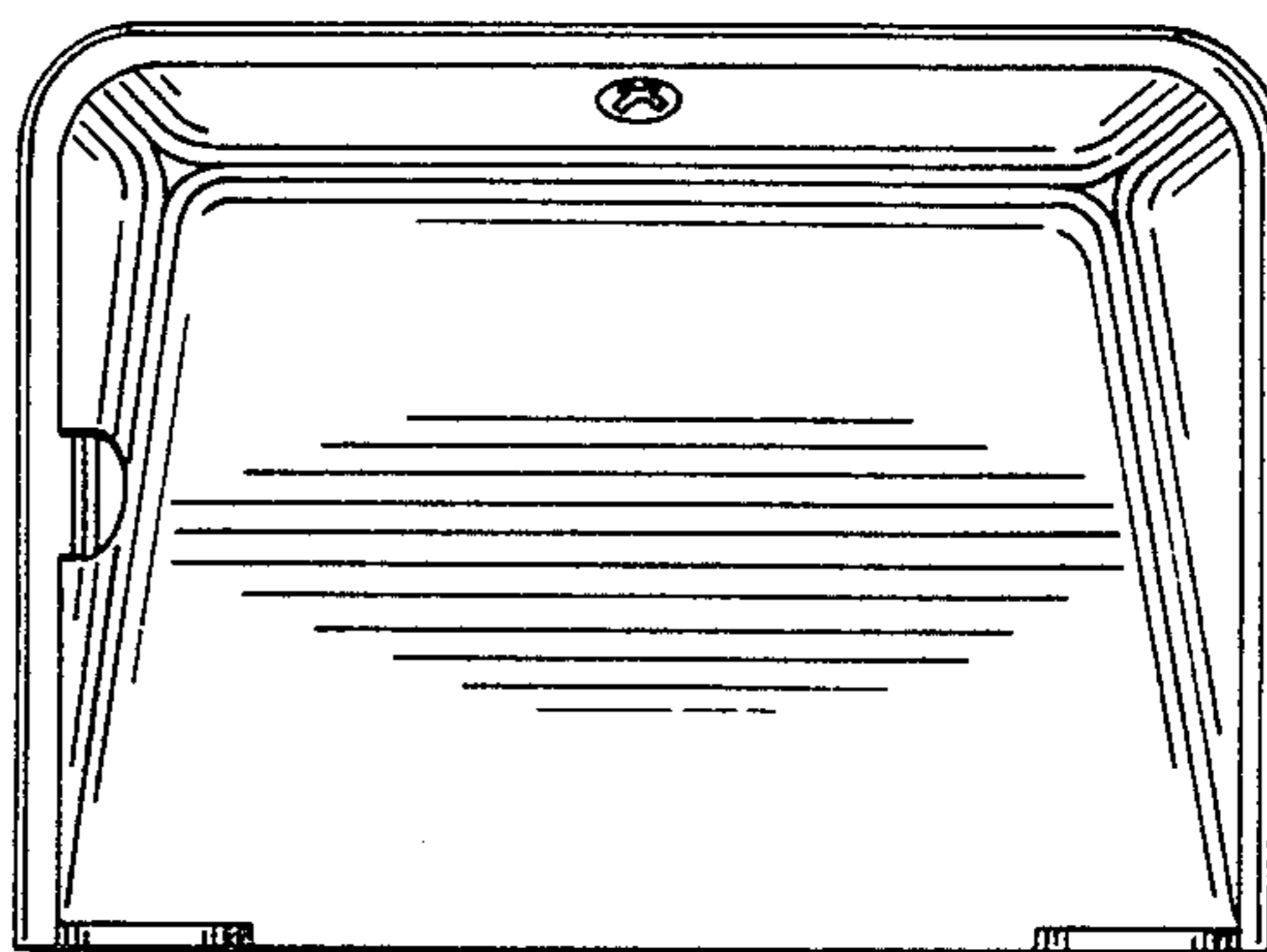


FIG. 4

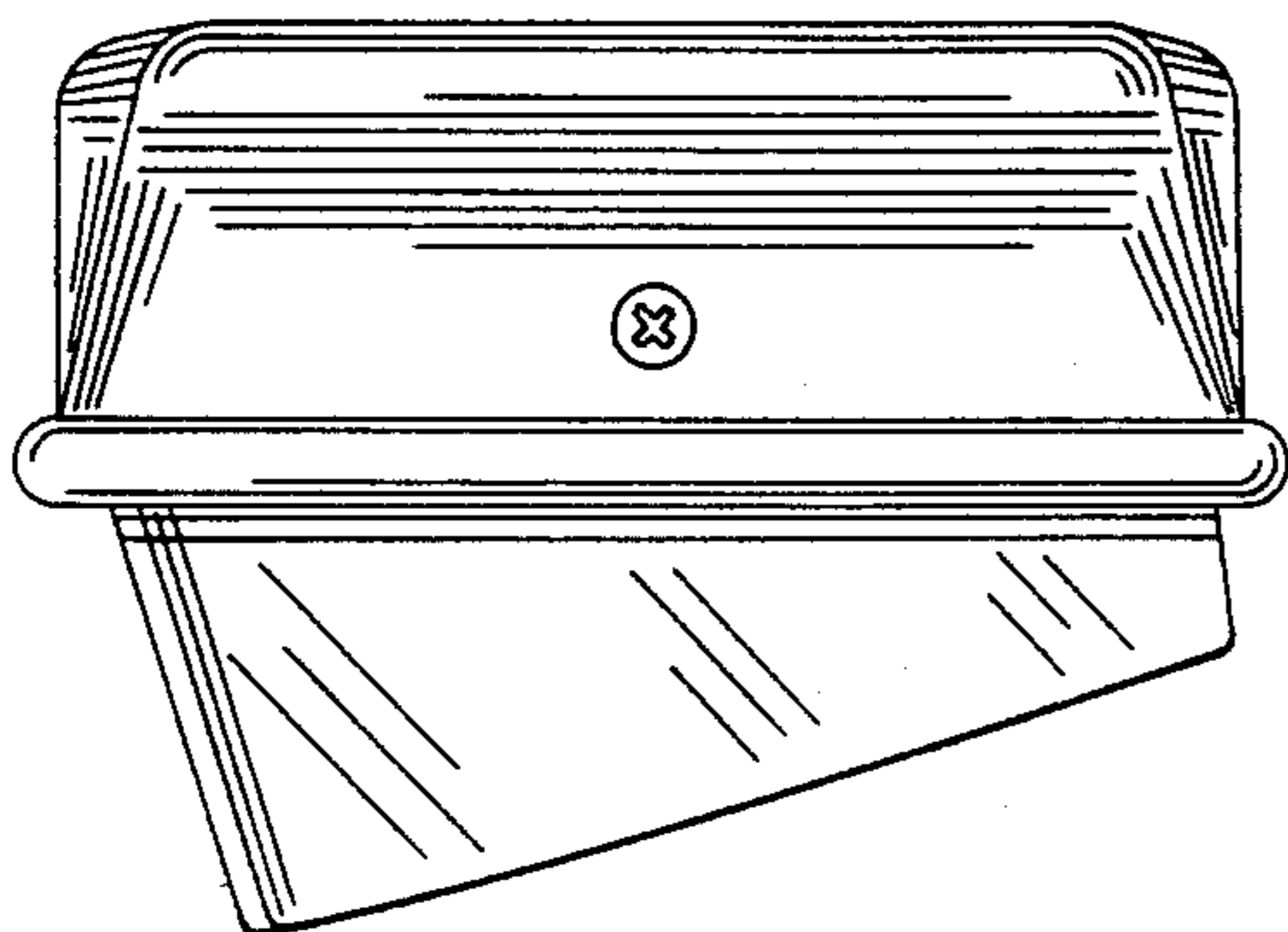


FIG. 5

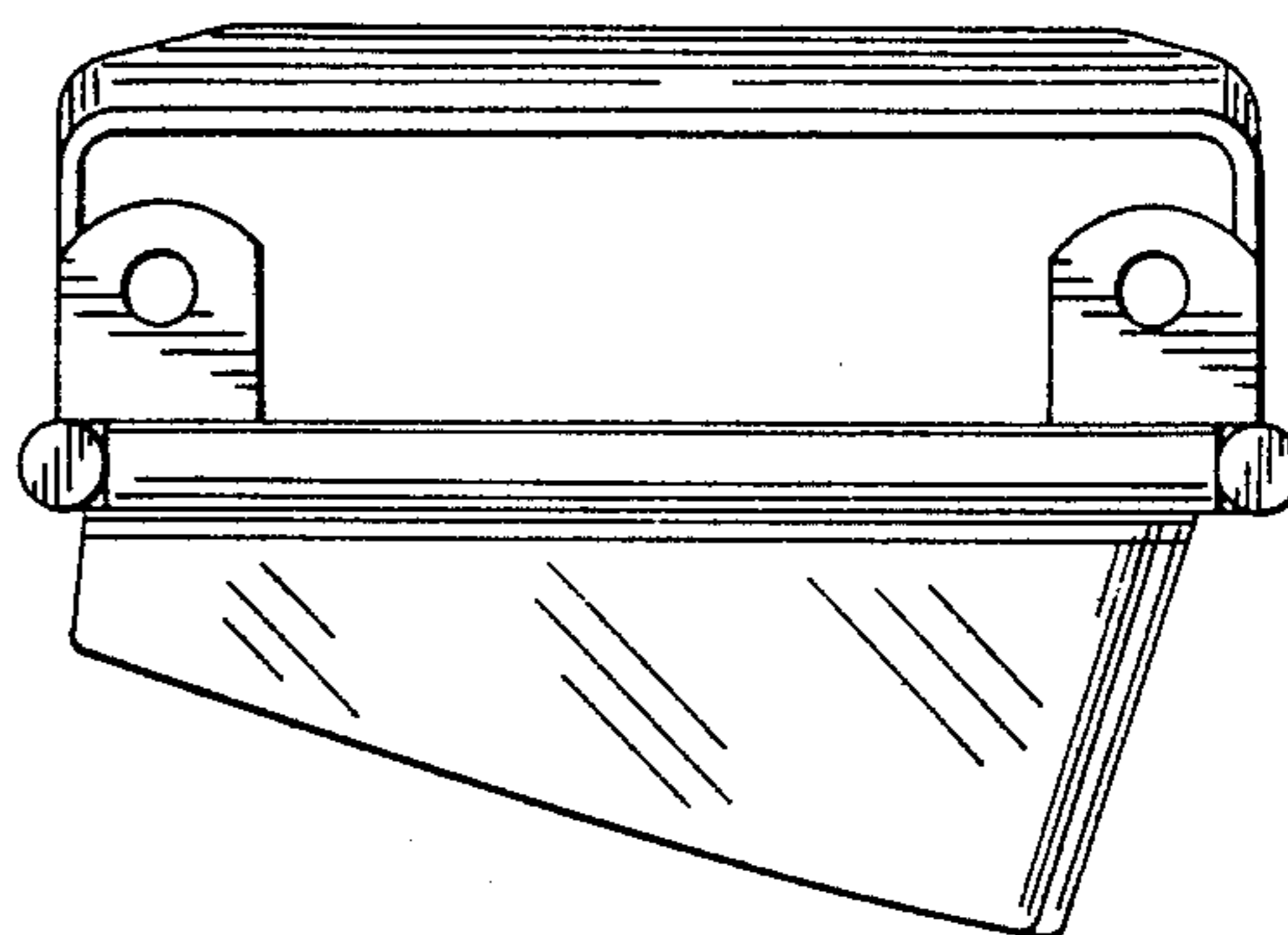


FIG. 6

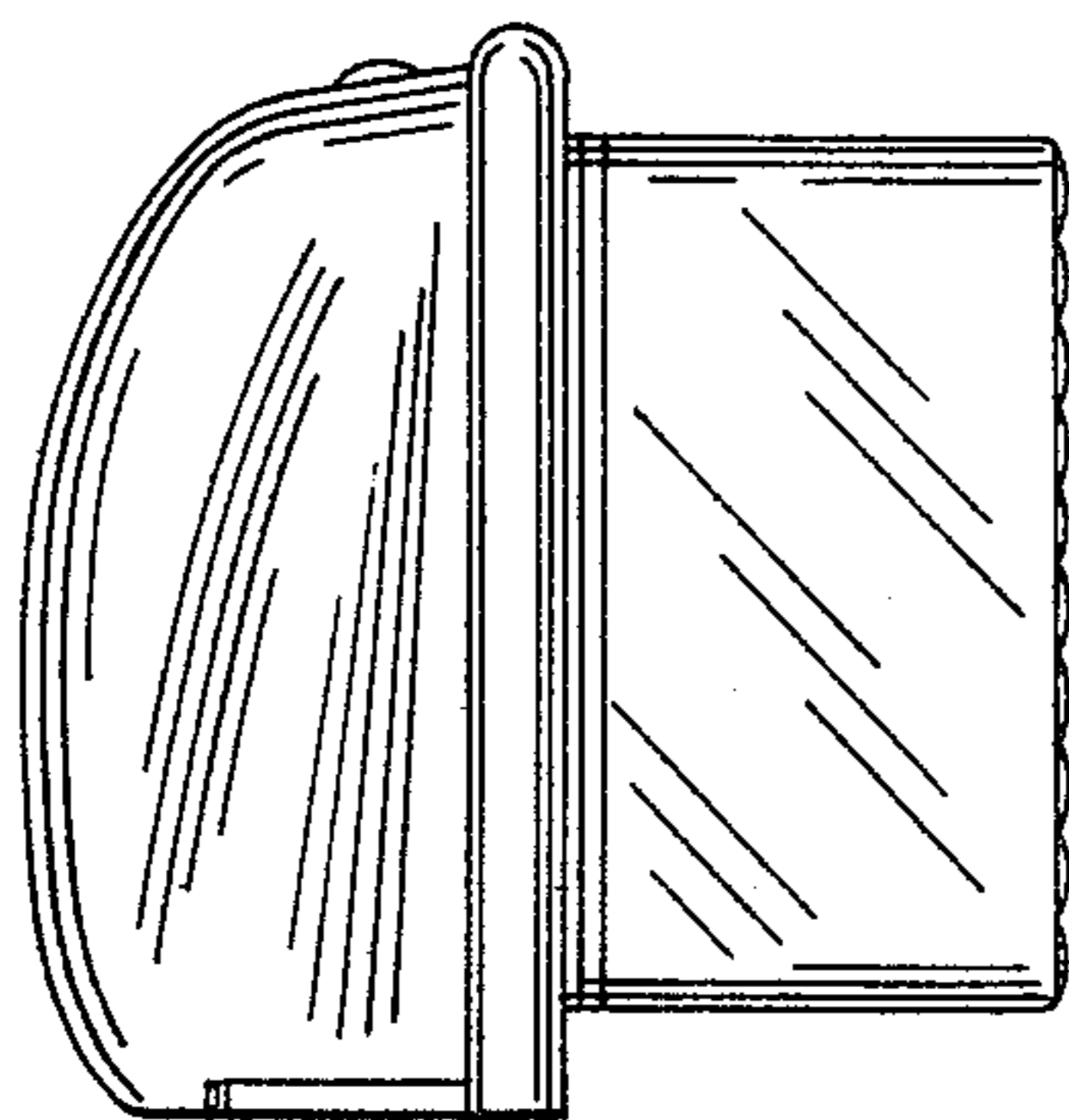


FIG. 7

