

[54] PROJECTION LAMP REFLECTOR

4,021,659 5/1977 Wiley 362/297

[75] Inventors: Lawrence R. Fraley, West Boxford, Mass.; Arnold E. Westlund, Jr., Winchester, Ky.

Primary Examiner—Susan J. Lucas
Attorney, Agent, or Firm—Lawrence R. Fraley

[73] Assignee: GTE Products Corporation, Stamford, Conn.

[57] CLAIM

The ornamental design for a projection lamp reflector, as shown and described.

[**] Term: 14 Years

DESCRIPTION

[21] Appl. No.: 538,723

FIG. 1 is a front perspective view of a projection lamp reflector illustrating our new design; FIG. 2 is a front elevational view thereof; FIG. 3 is a side elevational view thereof; and FIG. 4 is a top plan view thereof.

[22] Filed: Oct. 3, 1983

The characteristic features of our design reside in the reflecting facets and spaced reflecting stripes on the internal surface of the reflector, it being understood that the facets and stripes are visible from the exterior of the reflector because of the relative frequency of the material from which it is made.

[52] U.S. Cl. D26/2

[58] Field of Search D26/1, 2, 3, 24, 26; 362/341, 346-349, 216, 226, 297, 307, 309, 310, 311; 313/315, 318, 110, 113, 114, 116

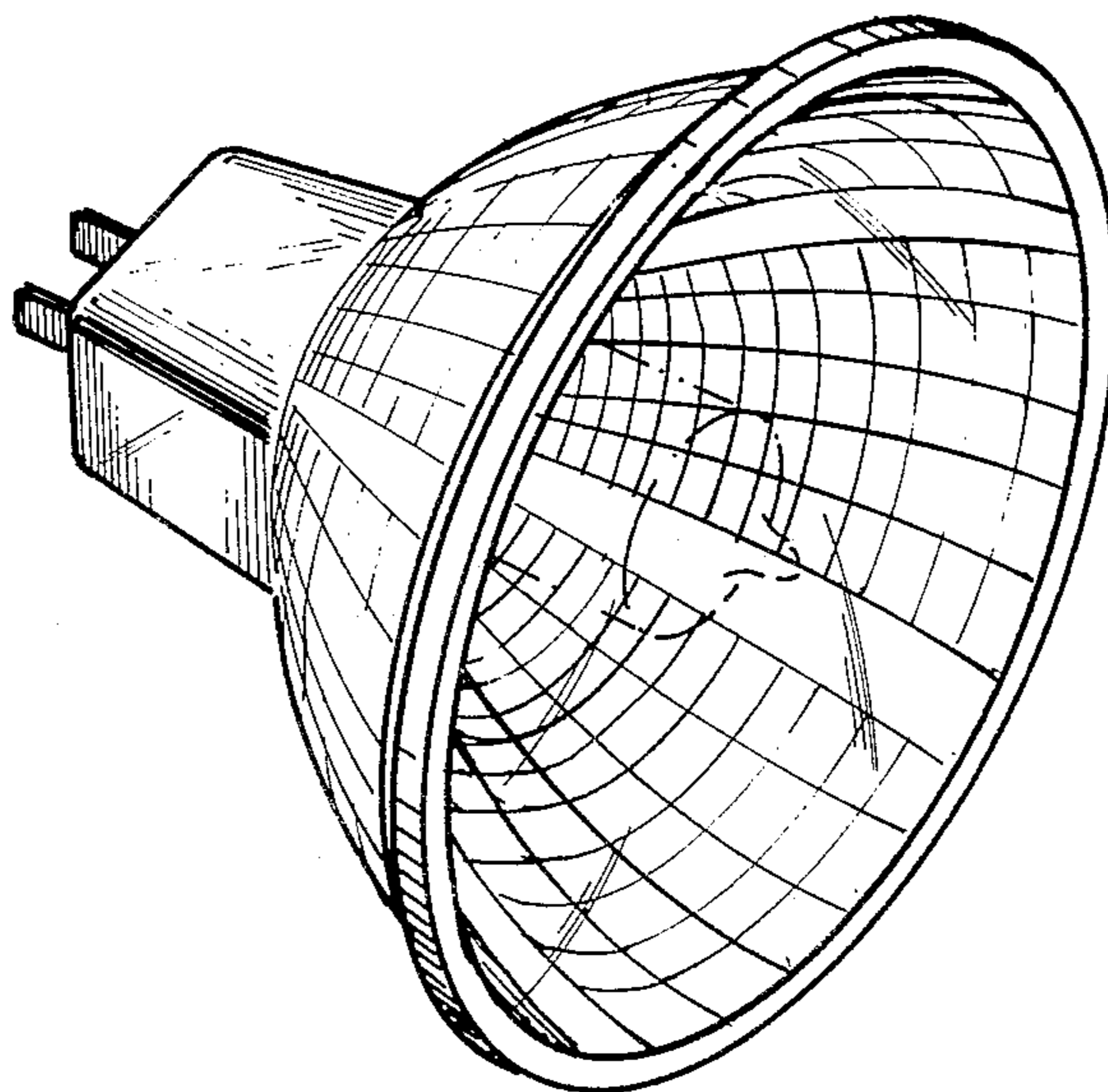
The bottom view of the reflector (opposite the top view in FIG. 4) not shown in the accompanying Drawings, is substantially identical to the top view in FIG. 4. The side view of the reflector opposite the side view in FIG. 3, and also not shown in the accompanying Drawings, is substantially identical to the side view in FIG. 3.

[56] References Cited

U.S. PATENT DOCUMENTS

38,668	5/1863	Gibson .	
D. 236,533	8/1975	Wierzbicki	D26/2
D. 253,195	10/1979	Henkel et al.	D26/2
915,444	3/1909	Cowper-Coles	362/341
1,253,813	1/1918	Gray .	
1,394,319	10/1921	McNeal .	
1,516,379	11/1924	Dufek	362/348
1,726,379	8/1929	Benford .	
2,174,937	10/1939	Dietz	362/346
2,565,757	8/1951	Coulter .	

The lamp member illustrated in phantom in FIGS. 1 and 2 is for illustrative purposes only and does not constitute part of the reflector herein.



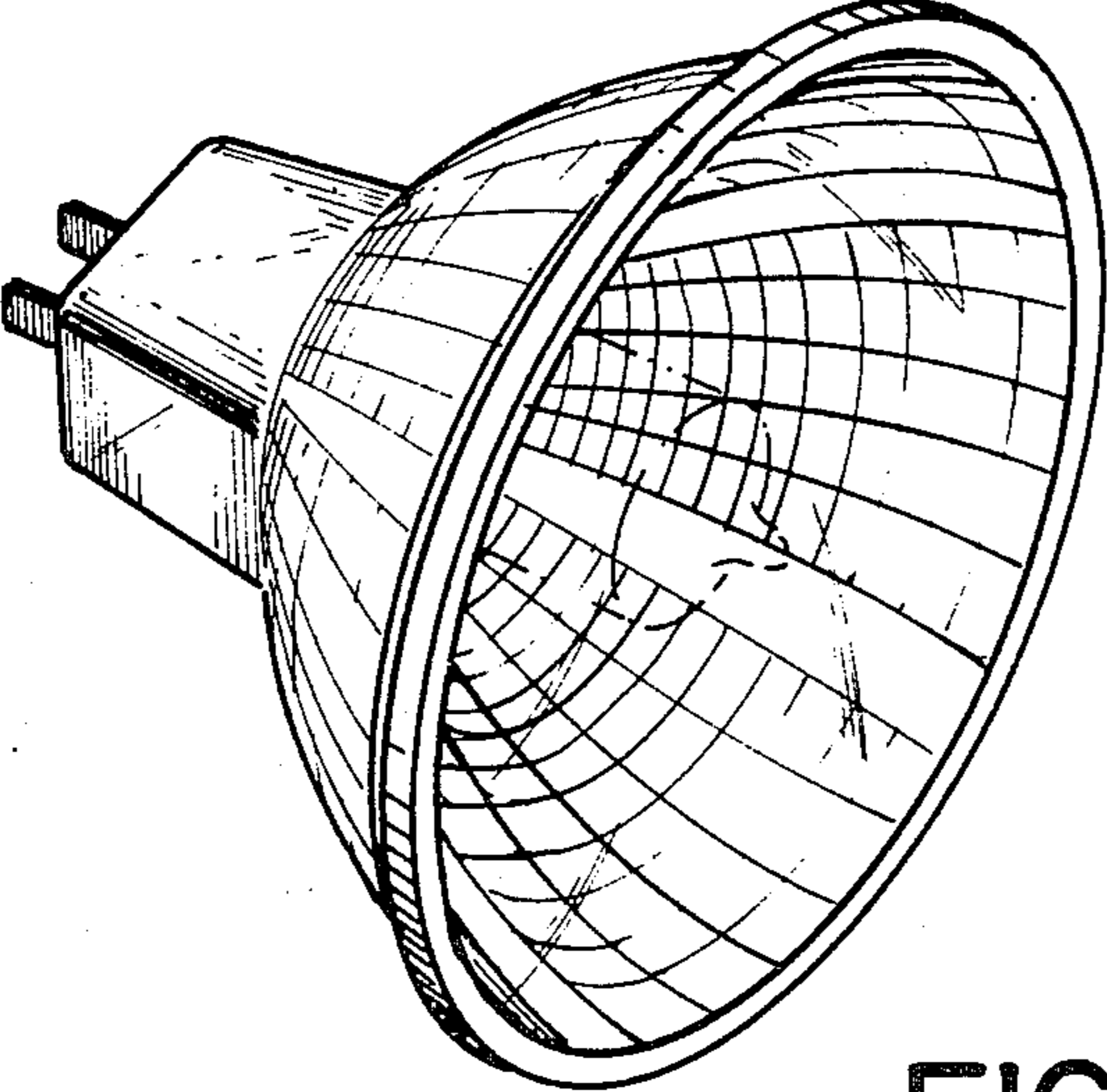


FIG. 1

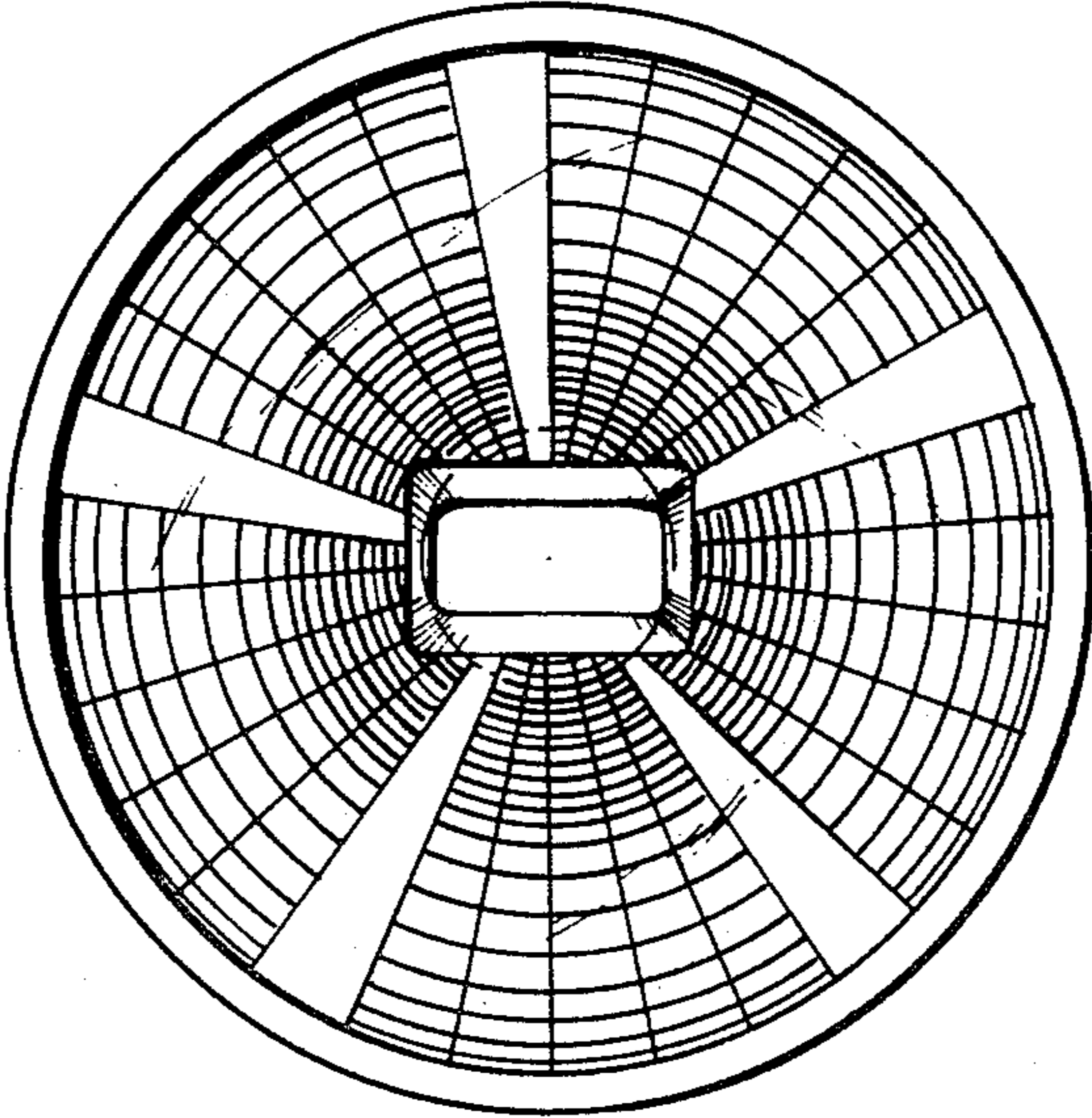


FIG. 2

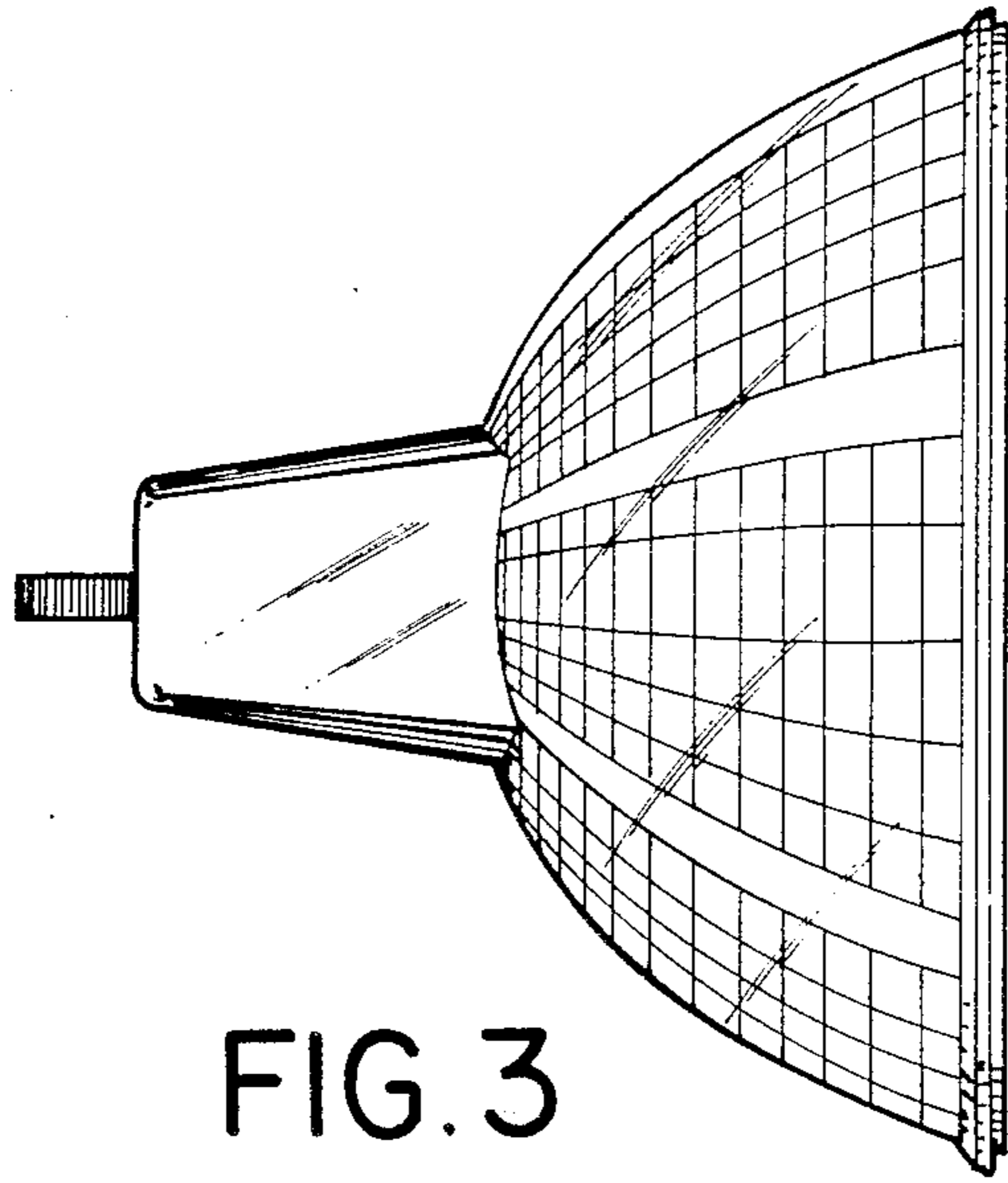


FIG. 3

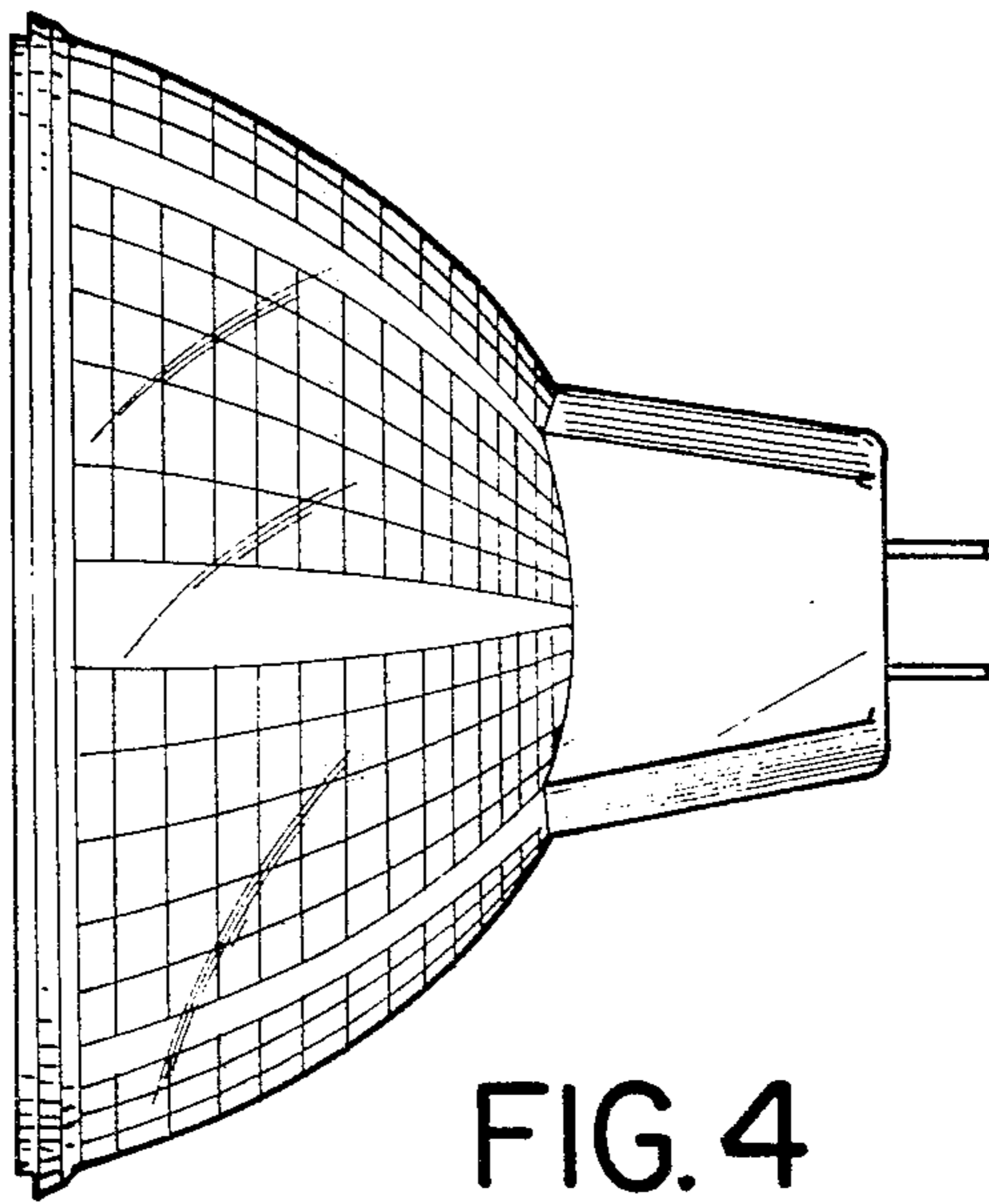


FIG. 4