

[54] COLLIMATOR FOR DENTAL X-RAY INSTRUMENT AIMING RINGS

[75] Inventor: Nicholas J. Sico, Jr., Elgin, Ill.

[73] Assignee: Rinn Corporation, Elgin, Ill.

[**] Term: 14 Years

[21] Appl. No.: 464,610

[22] Filed: Feb. 7, 1983

[52] U.S. Cl. D24/2; D24/5; D24/16

[58] Field of Search 378/147-153, 378/170, 205; D24/4, 5, 8, 10, 2, 16

[56] References Cited

U.S. PATENT DOCUMENTS

D. 246,665	12/1977	Updegrave	D24/2
1,947,014	2/1934	Levy	378/170
2,034,049	3/1936	Levy	378/170 X
2,090,933	8/1937	Bolin	378/170
3,473,026	10/1969	Updegrave	378/170
4,150,296	4/1979	Edeland et al.	378/170

Primary Examiner—Catherine E. Kemper
Attorney, Agent, or Firm—McWilliams, Mann, Zummer & Sweeney

[57] CLAIM

The ornamental design for collimator for dental x-ray

instrument aiming rings, substantially as shown and described.

DESCRIPTION

FIG. 1 is a perspective view of a collimator for dental x-ray instrument aiming rings, showing my new design; FIG. 2 is an elevational view thereof, taken from the front side of FIG. 1; FIG. 3 is a top plan view thereof taken from the top of FIG. 2; FIG. 4 is a side elevational view thereof, taken from the right hand side of FIG. 2; FIG. 5 is an elevational view thereof, taken from the back side of FIGS. 1 and 2; FIG. 6 is a side elevational view taken from the left hand side of FIG. 2; FIG. 7 is a perspective view of a second embodiment of a collimator for dental x-ray instrument aiming rings; FIG. 8 is an elevational view thereof, taken from the front side of FIG. 7; FIG. 9 is a top plan view thereof, taken from the top of FIG. 8; FIG. 10 is a side elevational view thereof, taken from the right hand side of FIG. 8; FIG. 11 is an elevational view thereof, taken from the back side of FIGS. 7 and 8.

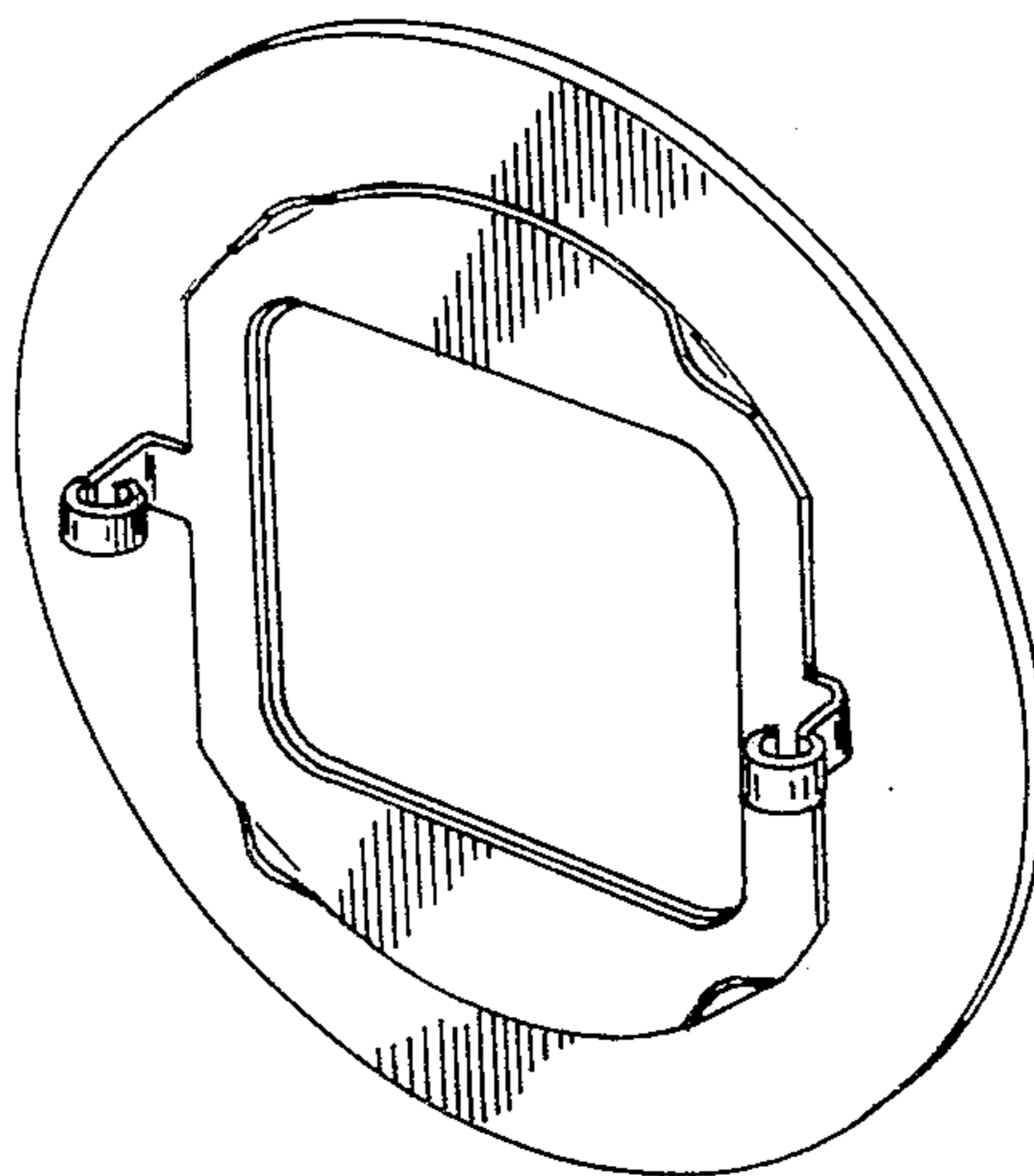


FIG. 1.

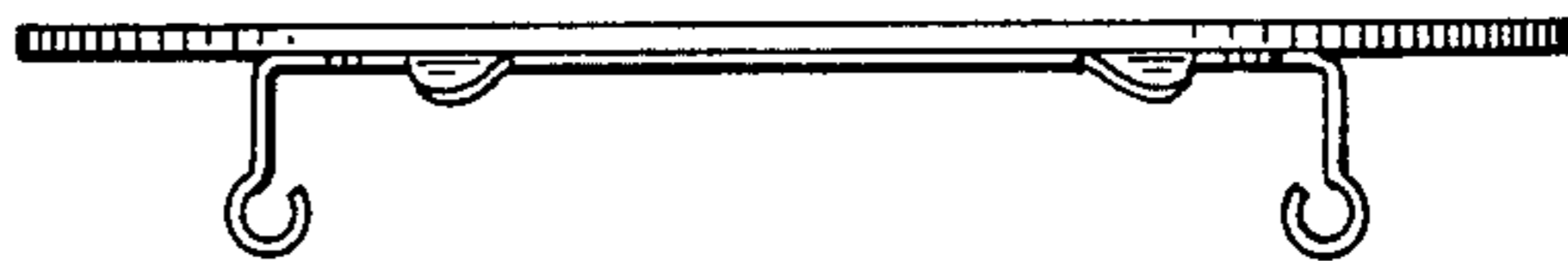
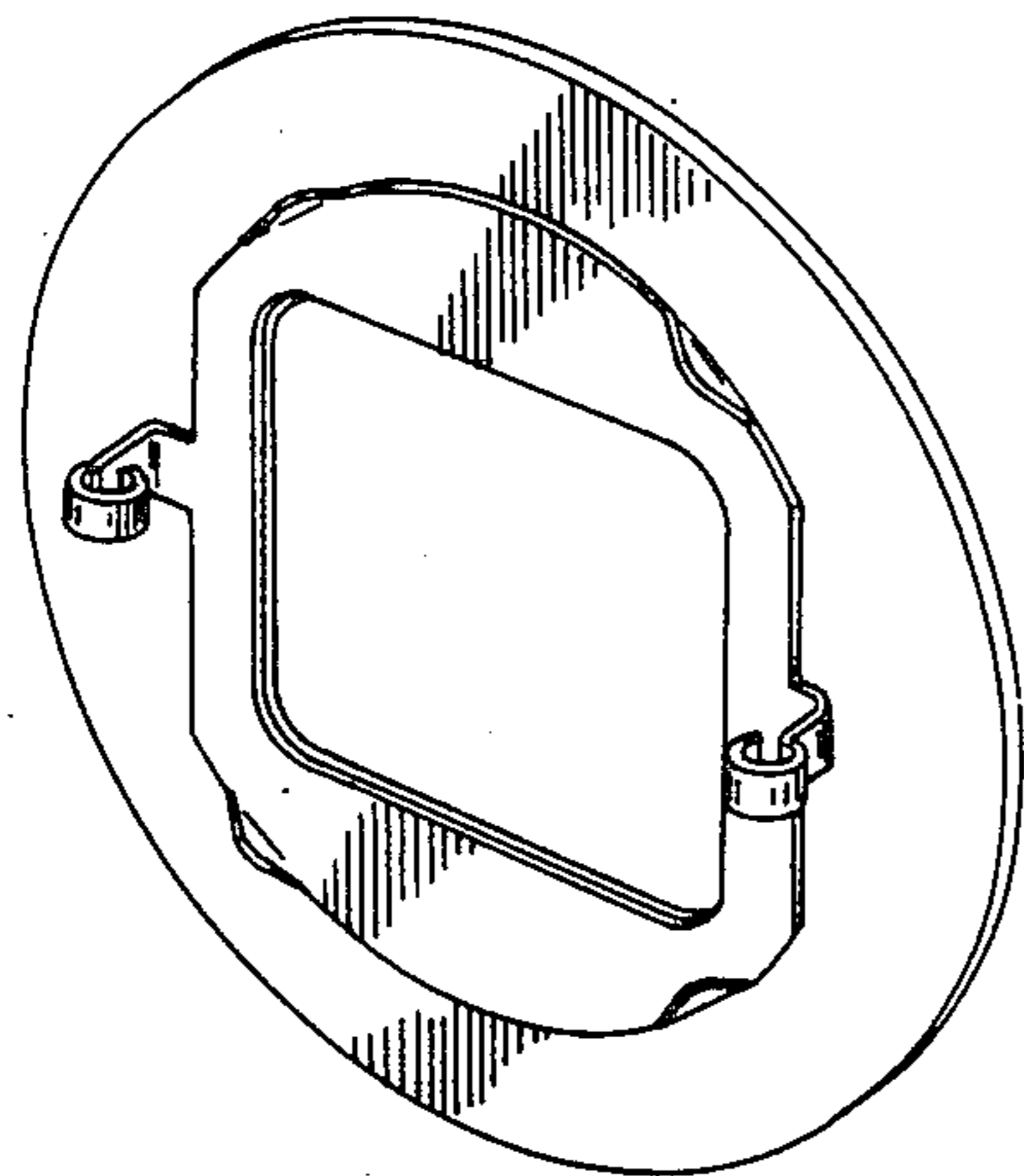


FIG. 3.

FIG. 2.

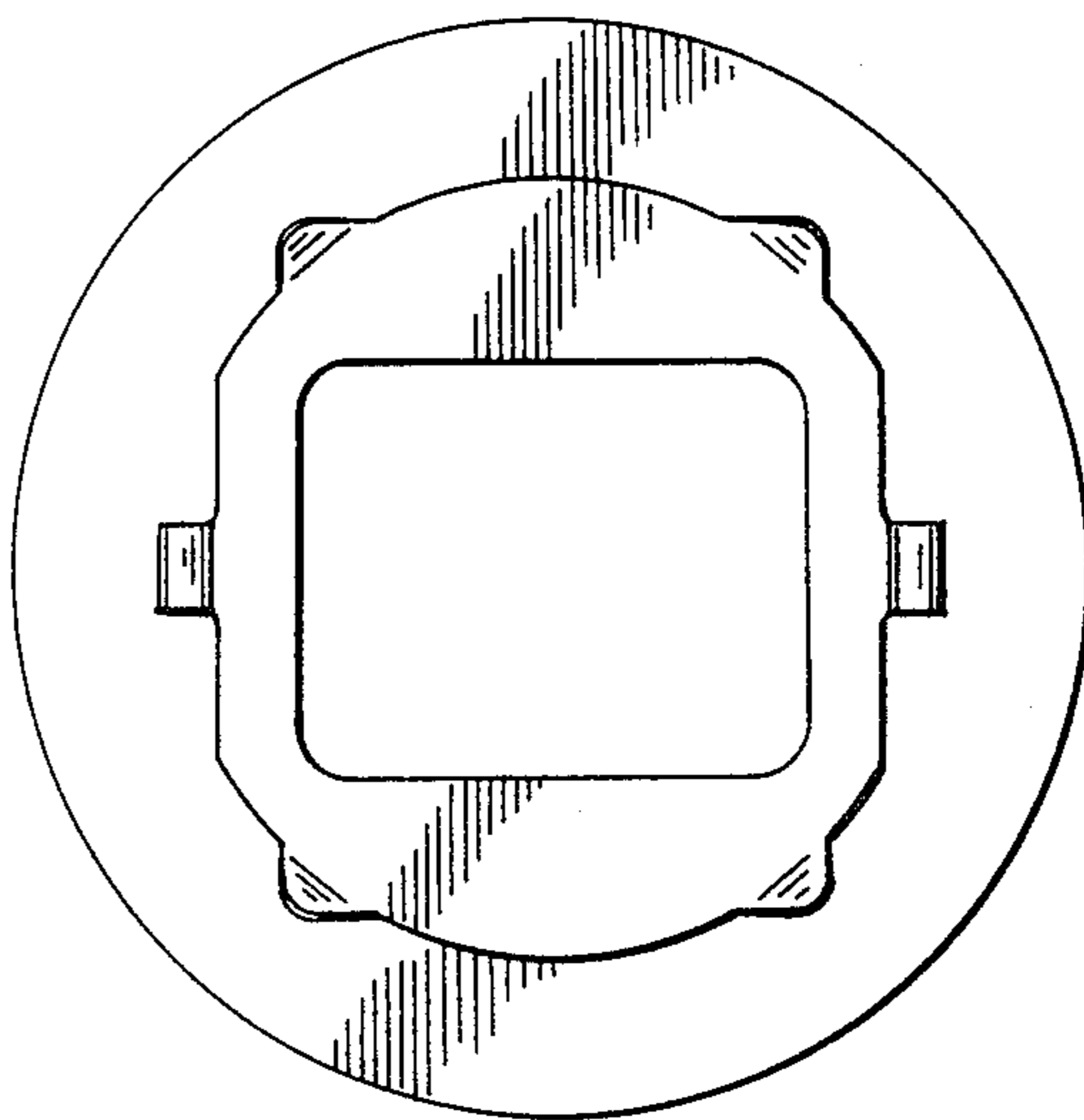


FIG. 5.

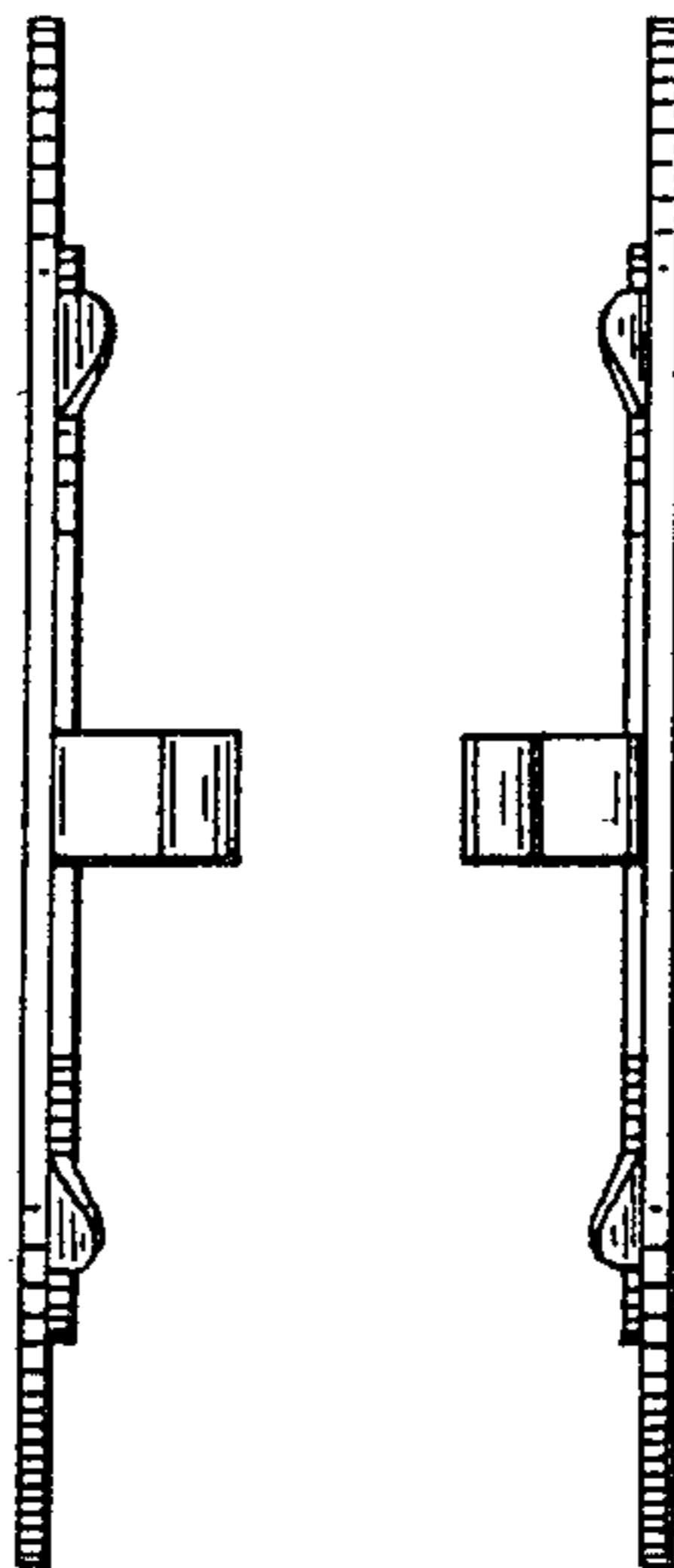
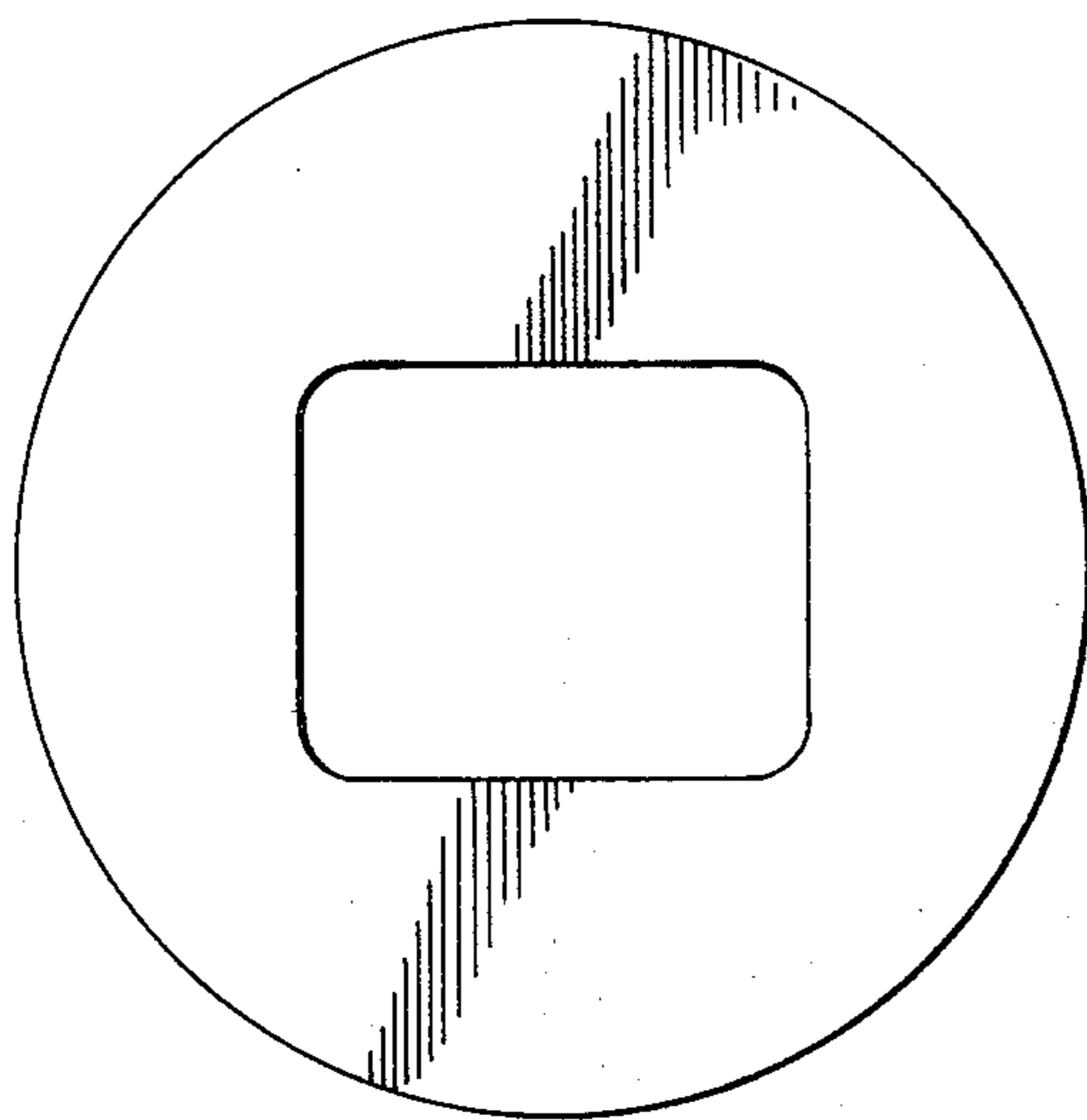


FIG. 6. FIG. 4.

FIG. 7.

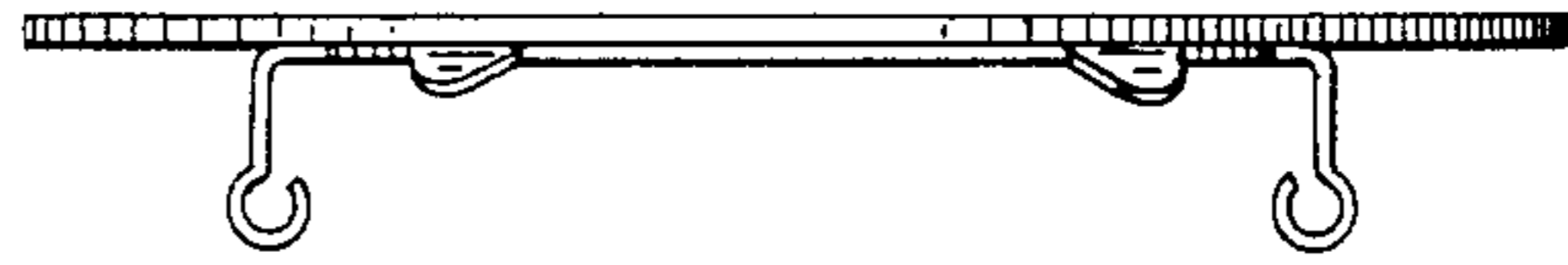
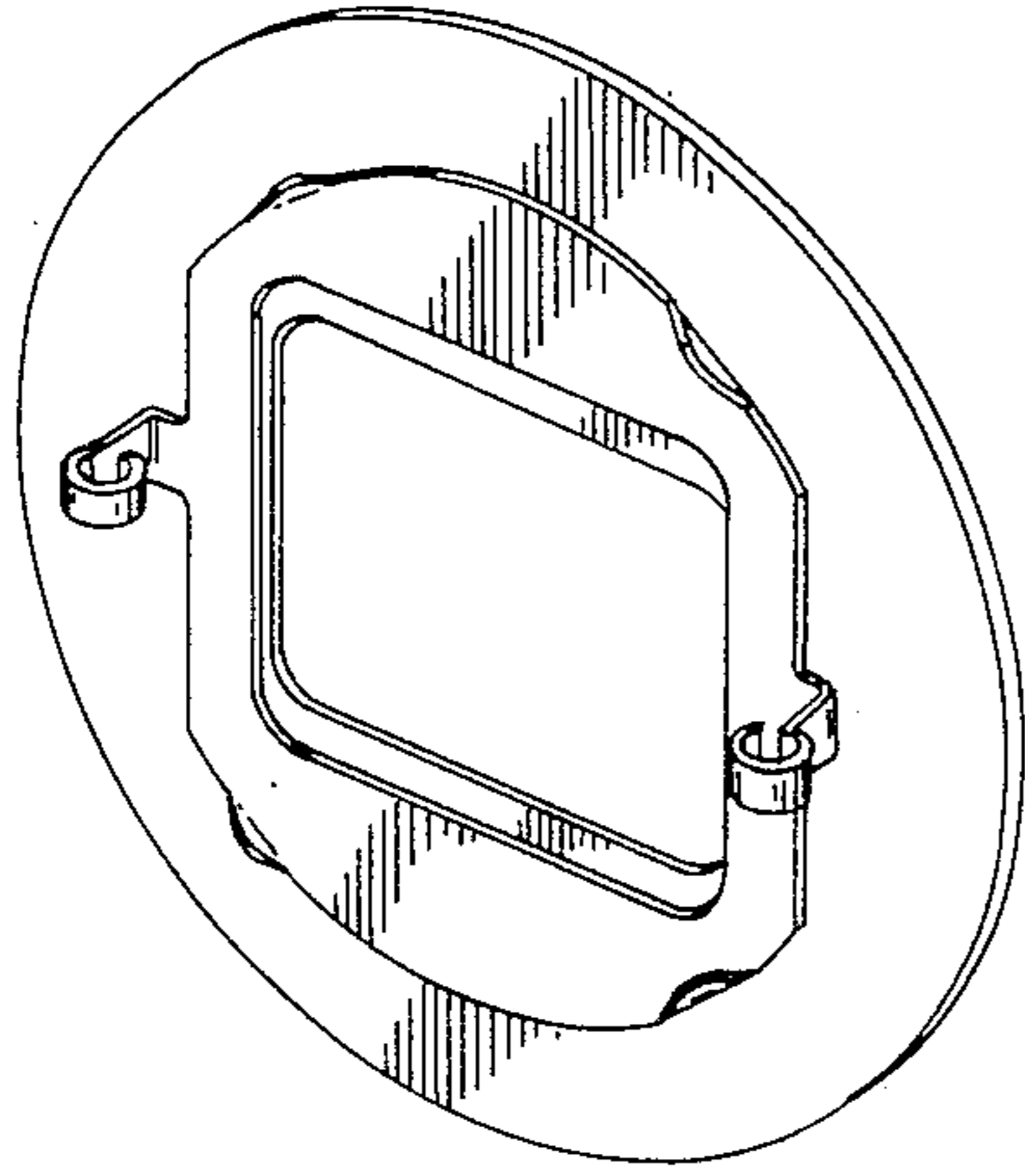


FIG. 9.

FIG. 8.

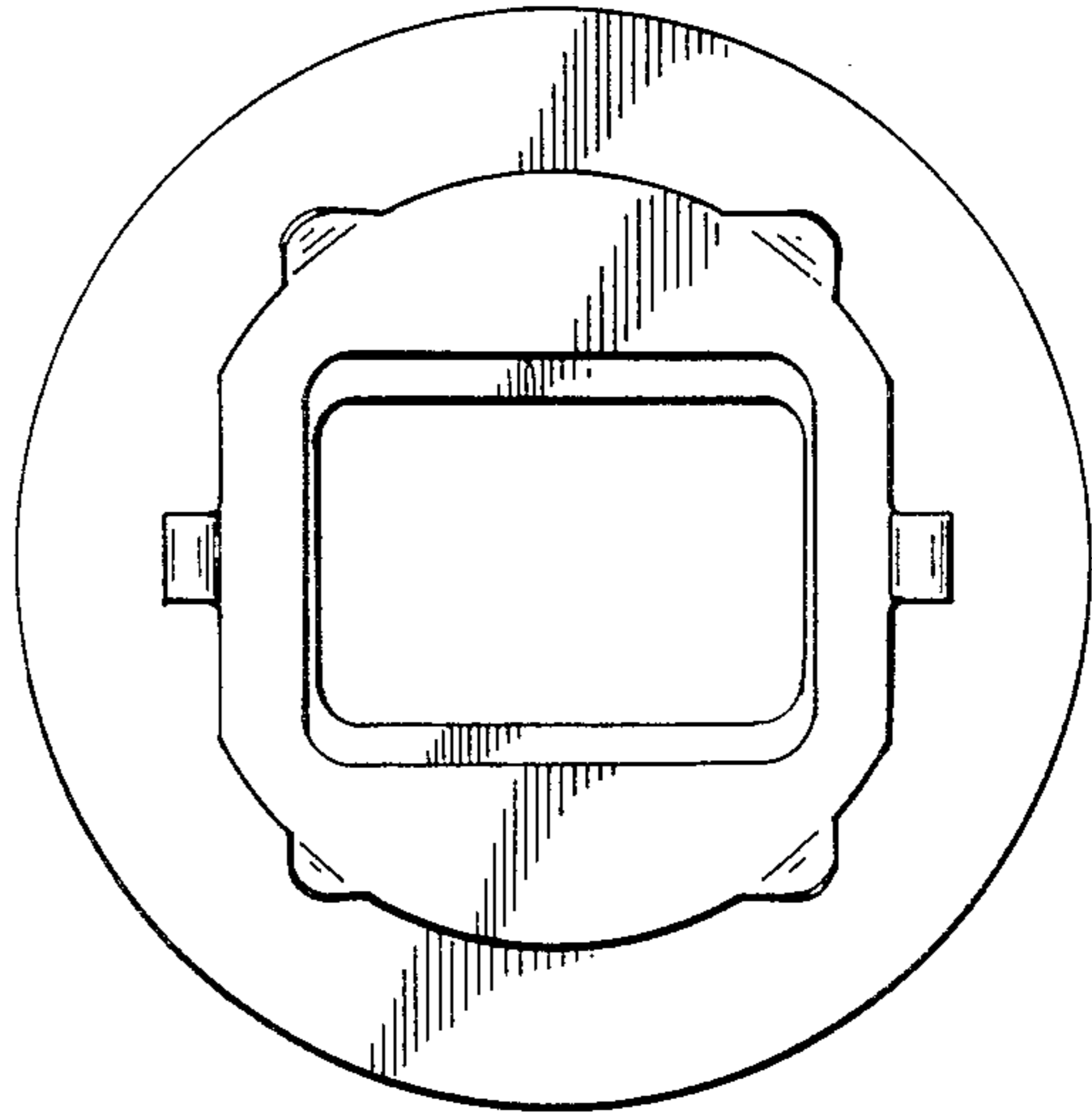


FIG. 11.

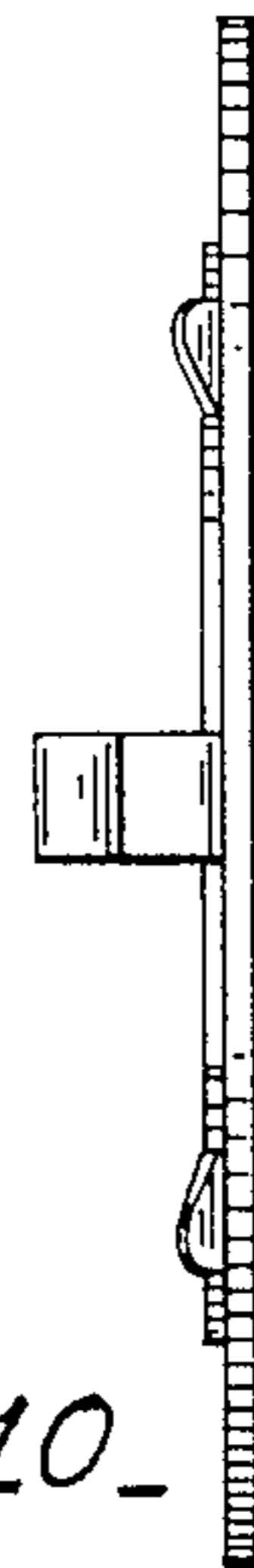
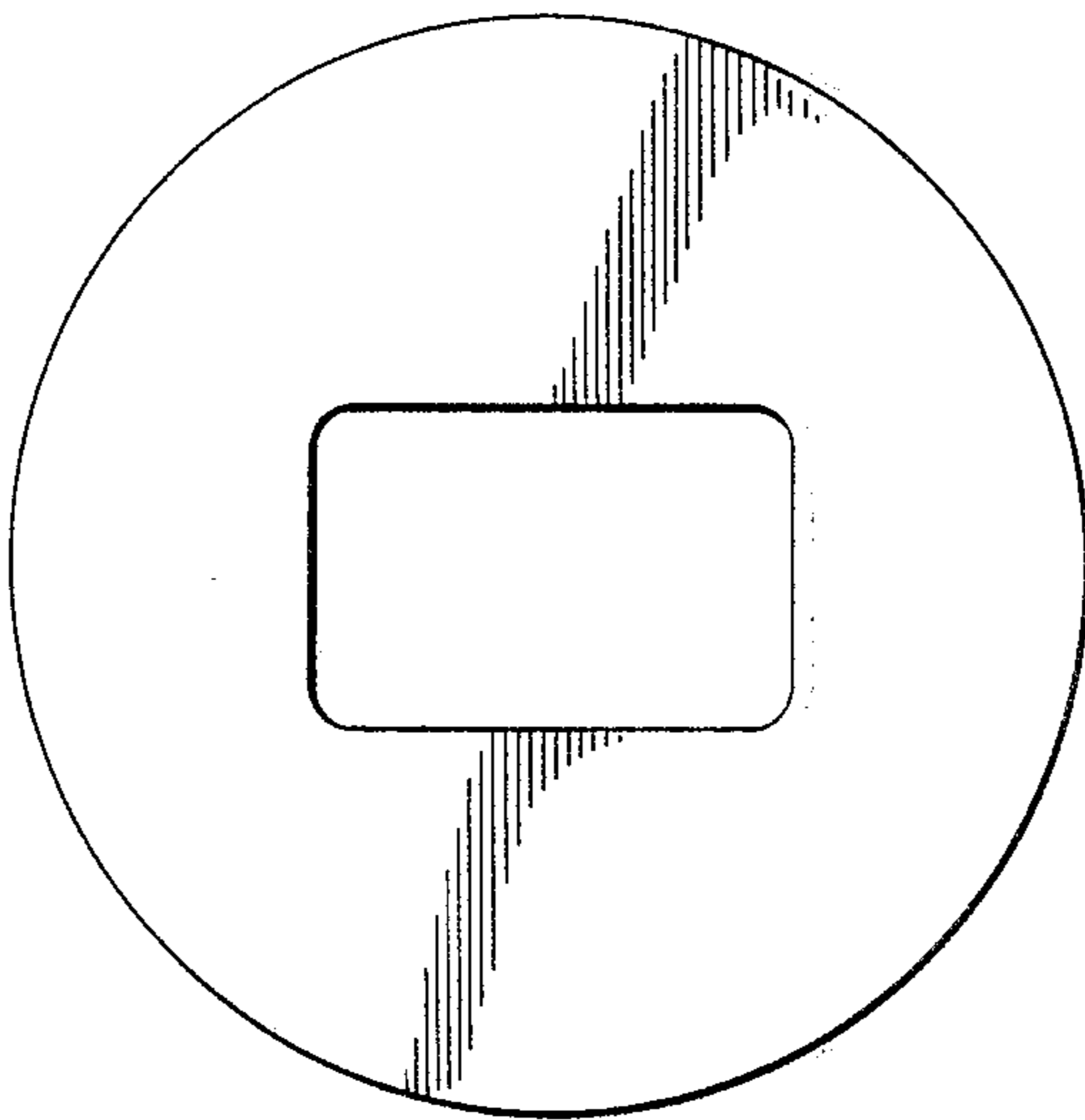


FIG. 10.