

[54] **FISHING REEL**

[75] **Inventors: Kanji Iinuma; Yasuhisa Kameda, both of Tokyo, Japan**

[73] **Assignee: Daiwa Seiko, Inc., Tokyo, Japan**

[\*\*] **Term: 14 Years**

[21] **Appl. No.: 486,769**

[22] **Filed: Apr. 20, 1983**

[30] **Foreign Application Priority Data**

Dec. 28, 1982 [JP] Japan ..... 57-58118

[52] **U.S. Cl.** ..... **D22/25**

[58] **Field of Search** ..... **D22/25; 242/84.1 R, 242/84.1 A, 84.2 R, 84.2 A, 84.2 F, 84.21 A, 84.4**

[56] **References Cited**

**U.S. PATENT DOCUMENTS**

D. 245,784 9/1977 Okada ..... D22/25

D. 269,030 5/1983 Hiraishi et al. .... D22/25

4,480,802 11/1984 Chang et al. .... 242/84.2 R

*Primary Examiner*—A. Hugo Word  
*Attorney, Agent, or Firm*—Sughrue, Mion, Zinn, Macpeak and Seas

[57] **CLAIM**

The ornamental design for a fishing reel, as shown.

**DESCRIPTION**

FIG. 1 is a left side elevational view of a fishing reel showing our new design;

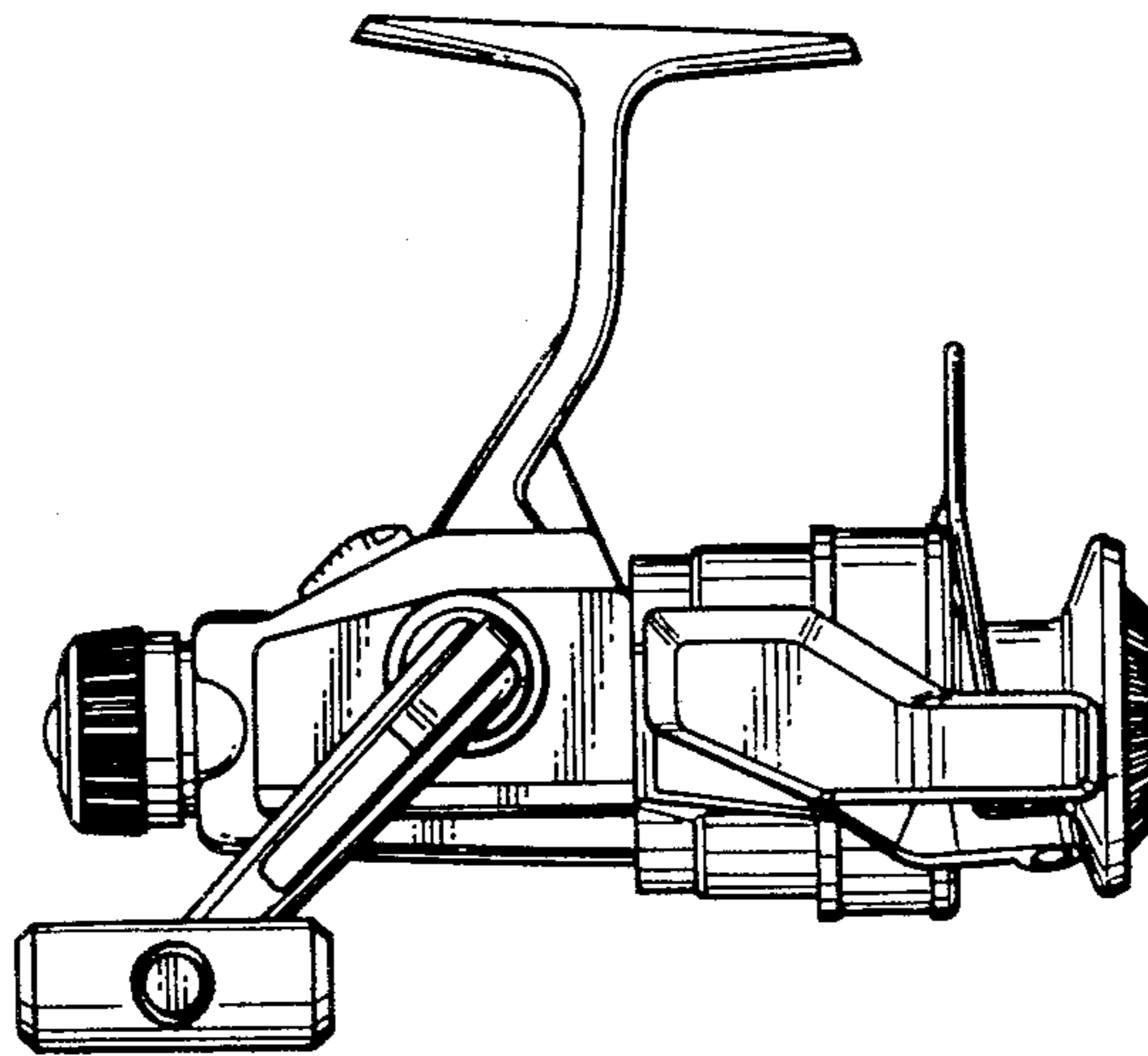
FIG. 2 is a right side elevational view thereof;

FIG. 3 is a rear elevational view thereof;

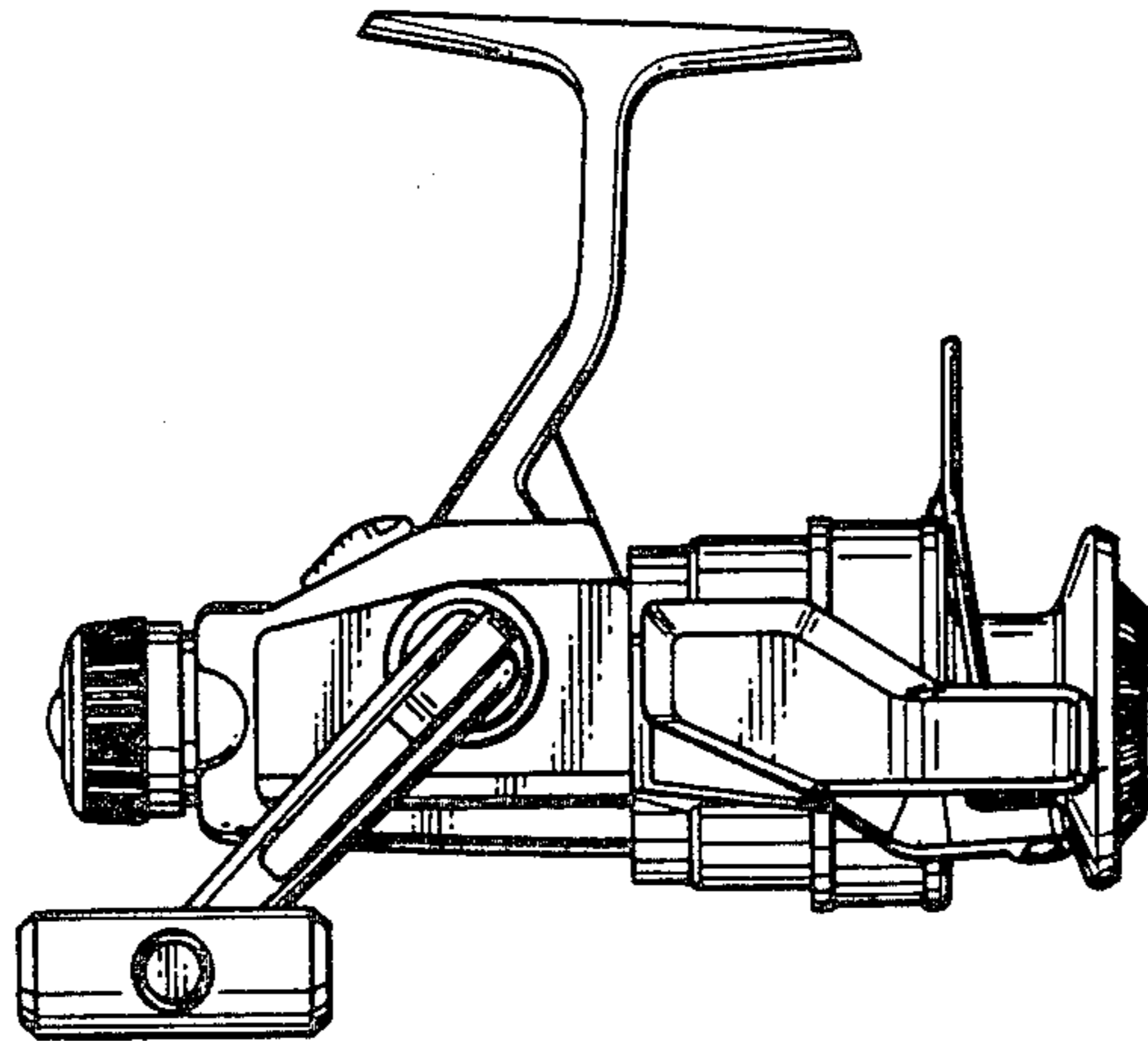
FIG. 4 is a front elevational view thereof;

FIG. 5 is a top plan view thereof; and

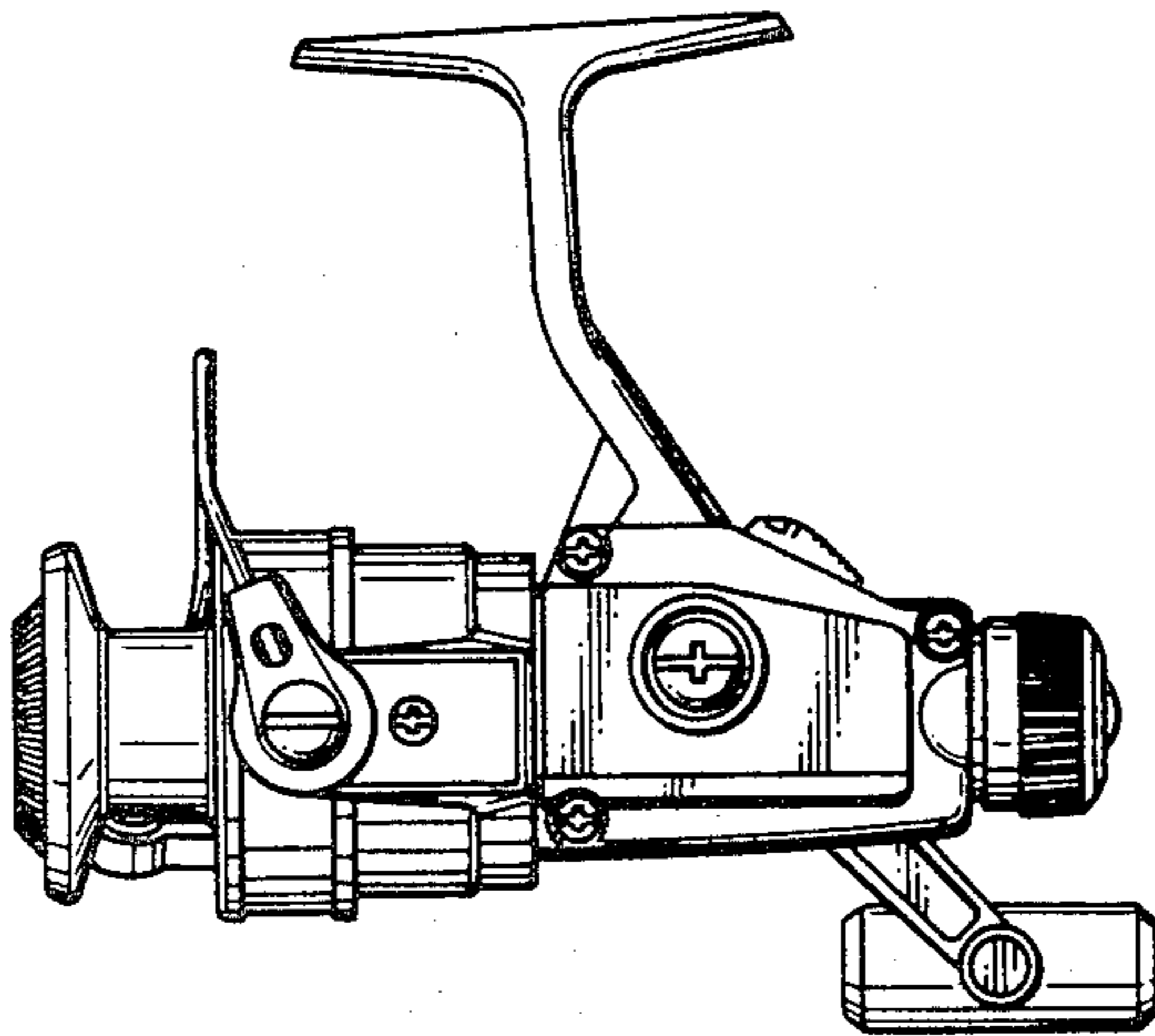
FIG. 6 is a bottom plan view thereof.



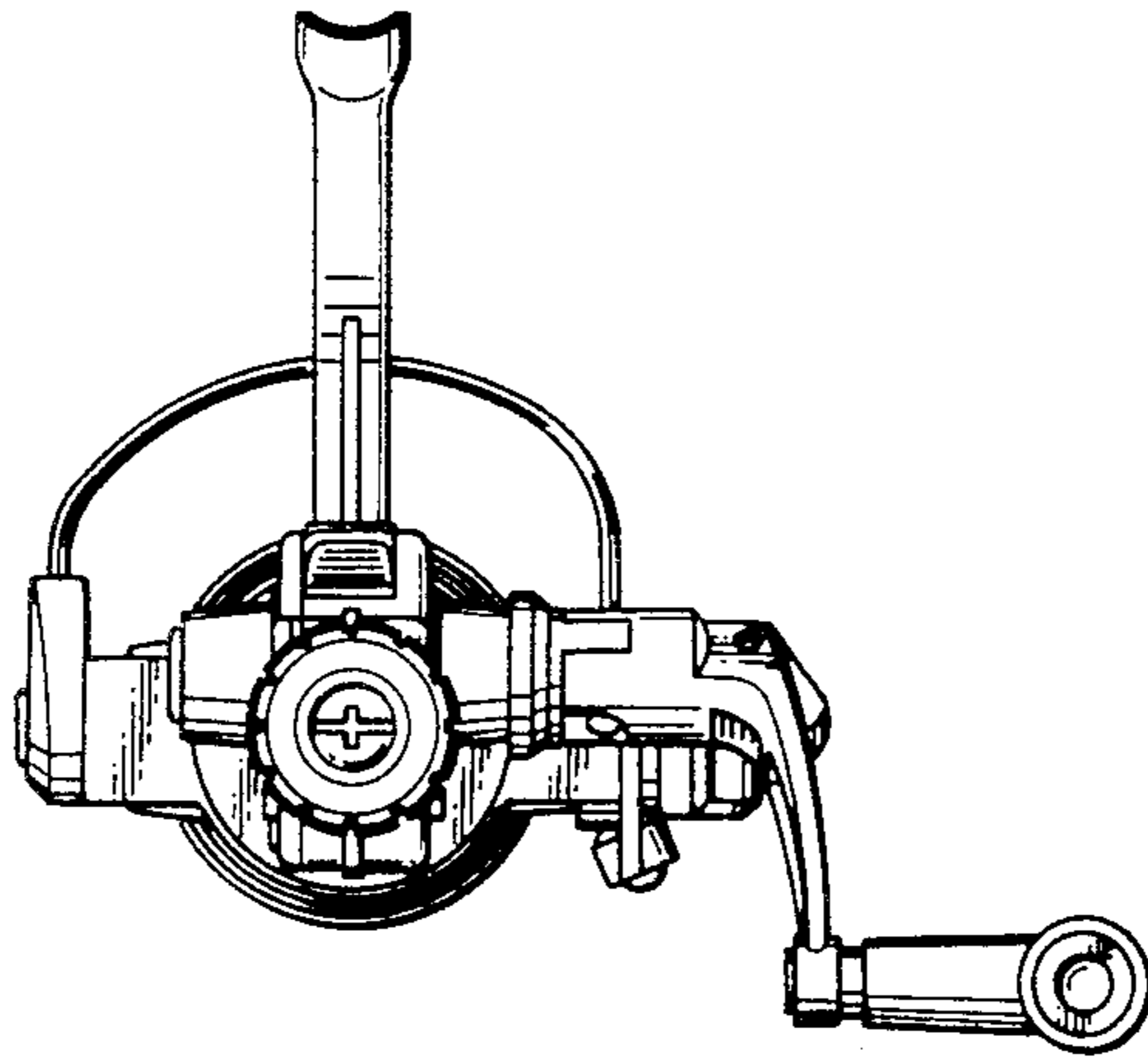
*Fig. 1*



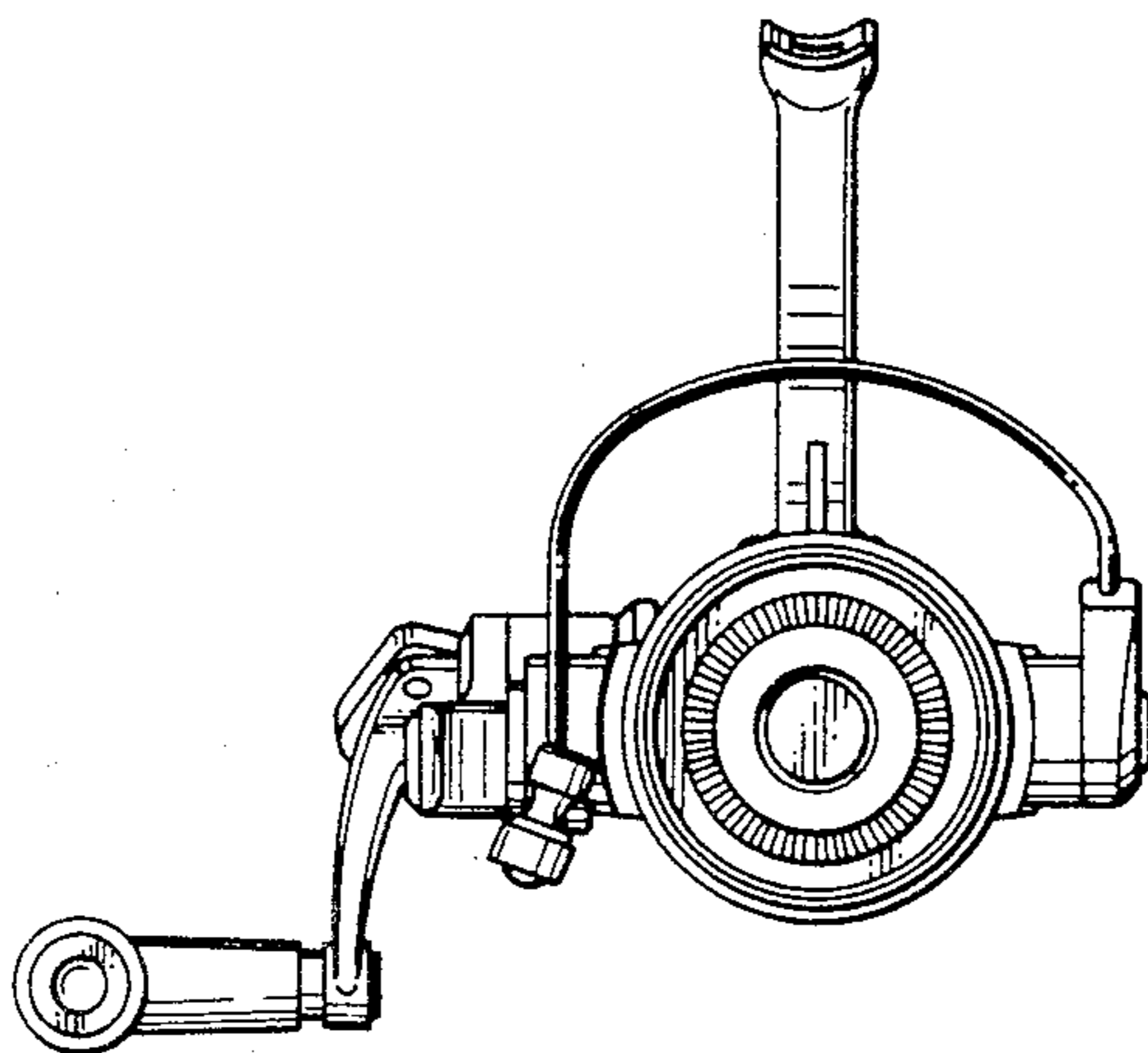
*Fig. 2*



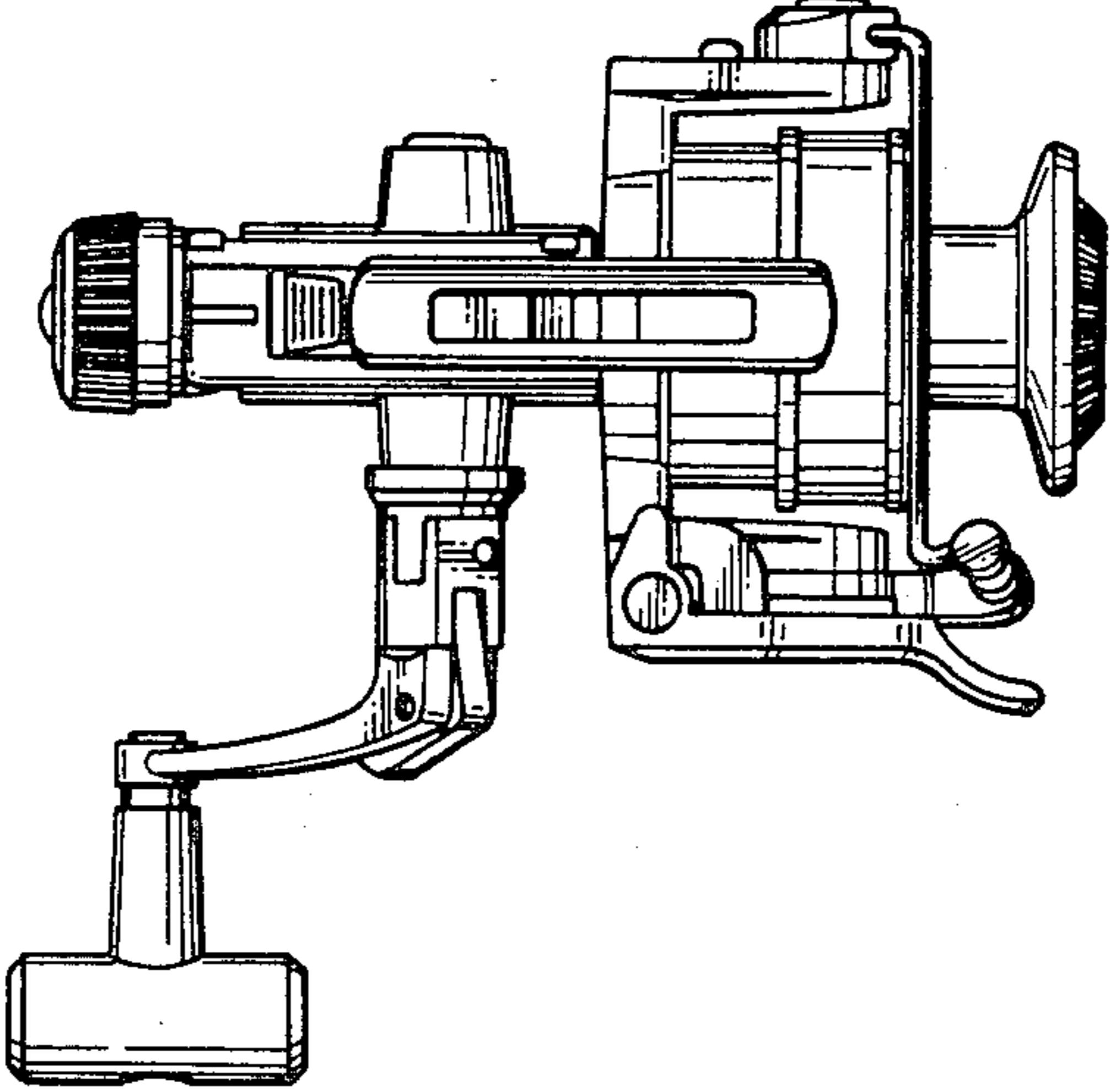
*Fig. 3*



*Fig. 4*



*Fig. 5*



*Fig. 6*

