

United States Patent [19]

Iinuma et al.

[11] Patent Number: **Des. 281,346**

[45] Date of Patent: **** Nov. 12, 1985**

[54] **FISHING REEL**

[75] Inventors: **Kanji Iinuma; Yasuhisa Kameda**, both of Tokyo, Japan

[73] Assignee: **Daiwa Seiko Inc.**, Tokyo, Japan

[**] Term: **14 Years**

[21] Appl. No.: **486,770**

[22] Filed: **Apr. 20, 1983**

[30] **Foreign Application Priority Data**

Dec. 29, 1982 [JP] Japan 57-58575
[52] U.S. Cl. **D22/25**
[58] Field of Search D22/25; 242/84.1 R,
242/84.1 A, 84.2 A, 84.2 R, 84.2 F, 84.21 A,
84.4

[56] **References Cited**

U.S. PATENT DOCUMENTS

D. 209,030 5/1983 Hiraishi et al. D22/25
D. 245,784 9/1977 Okada D22/25
4,480,802 11/1984 Chang et al. 242/84.2 R

Primary Examiner—A. Hugo Word
Attorney, Agent, or Firm—Sughrue, Mion, Zinn,
Macpeak & Seas

[57] **CLAIM**

The ornamental design for a fishing reel, as shown.

DESCRIPTION

FIG. 1 is a right side elevational view of a fishing reel showing our new design;
FIG. 2 is a left side elevational view thereof;
FIG. 3 is a front elevational view thereof;
FIG. 4 is a rear elevational view thereof;
FIG. 5 is a top plan view thereof; and
FIG. 6 is a bottom plan view thereof.

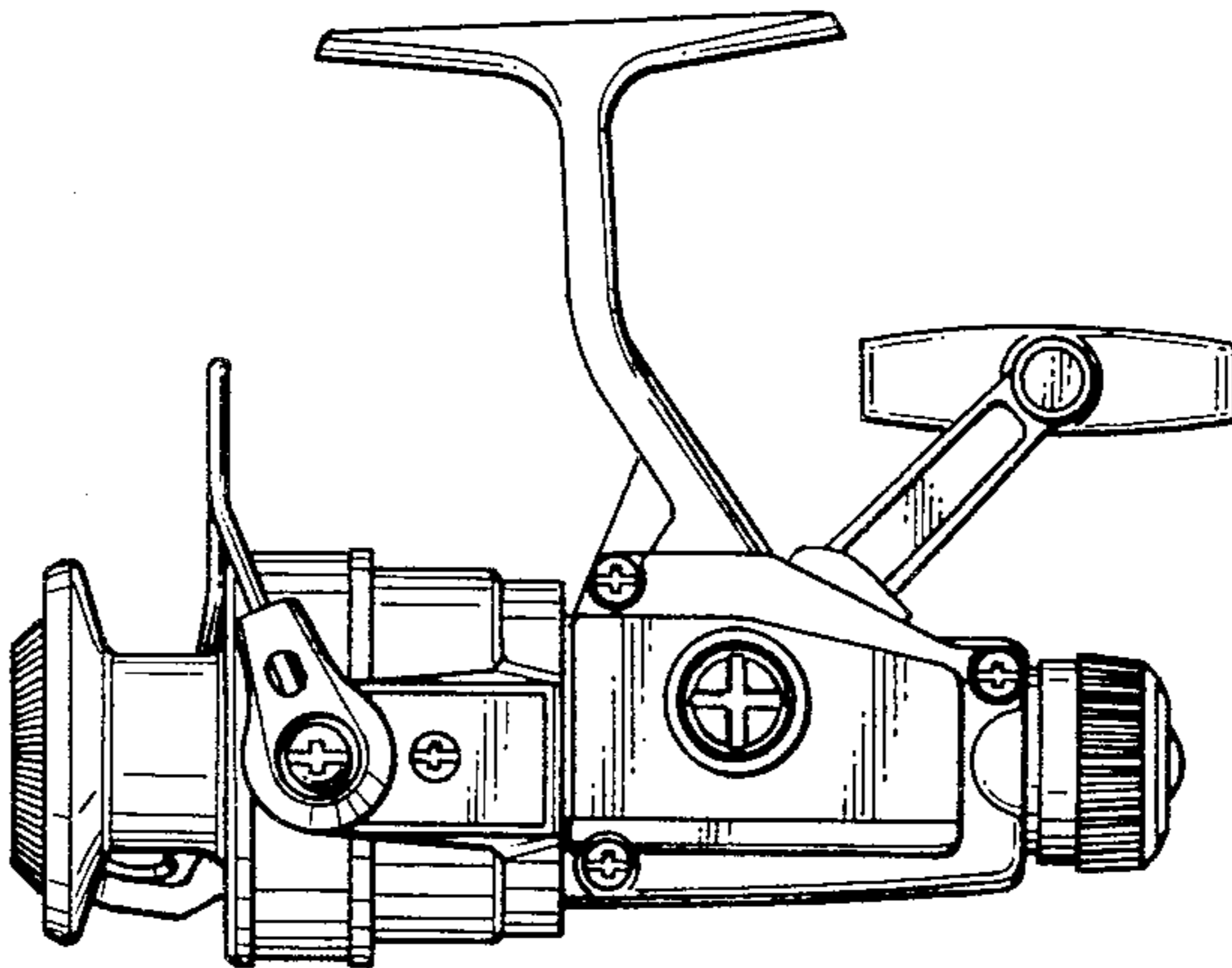


Fig. 1

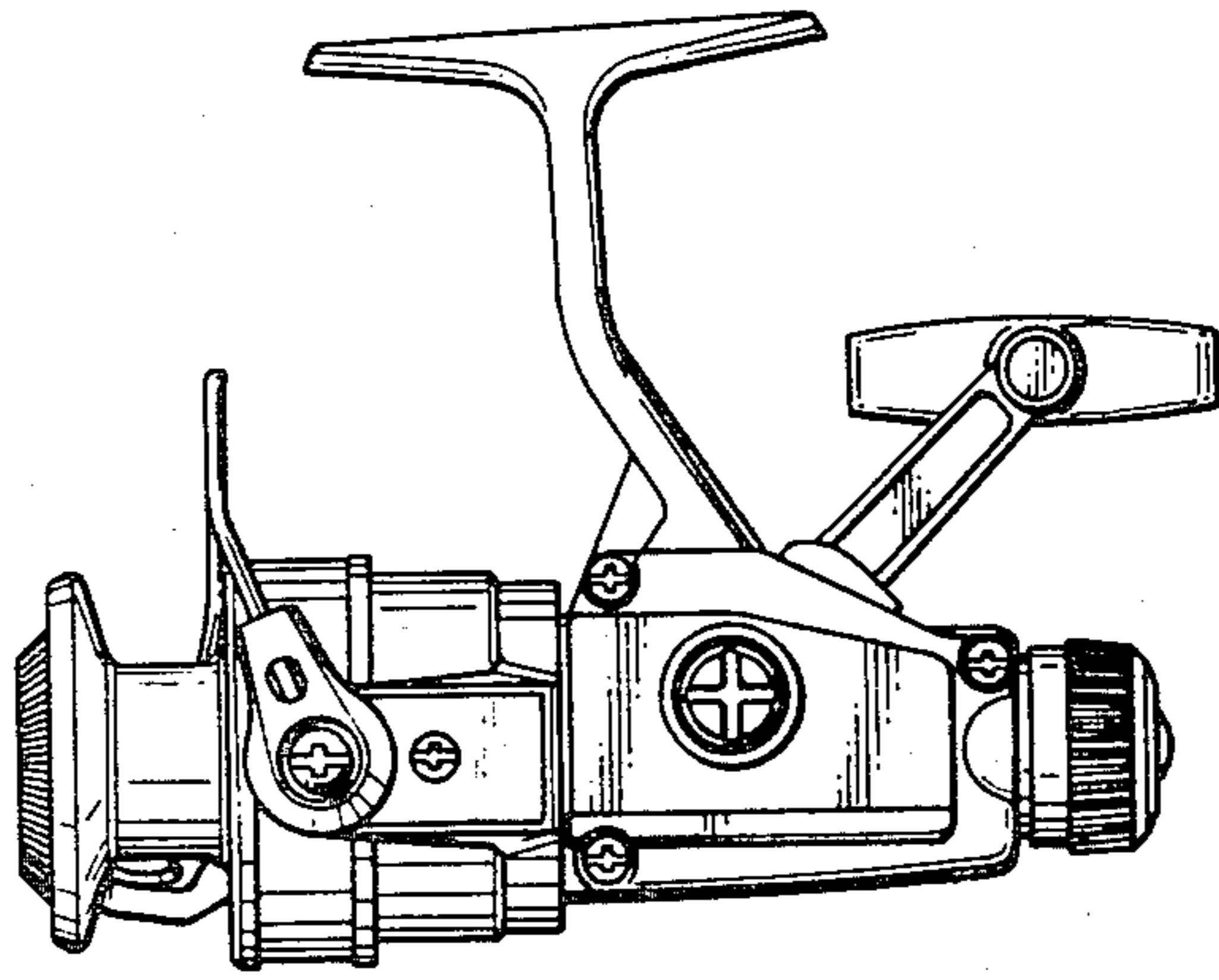


Fig. 2

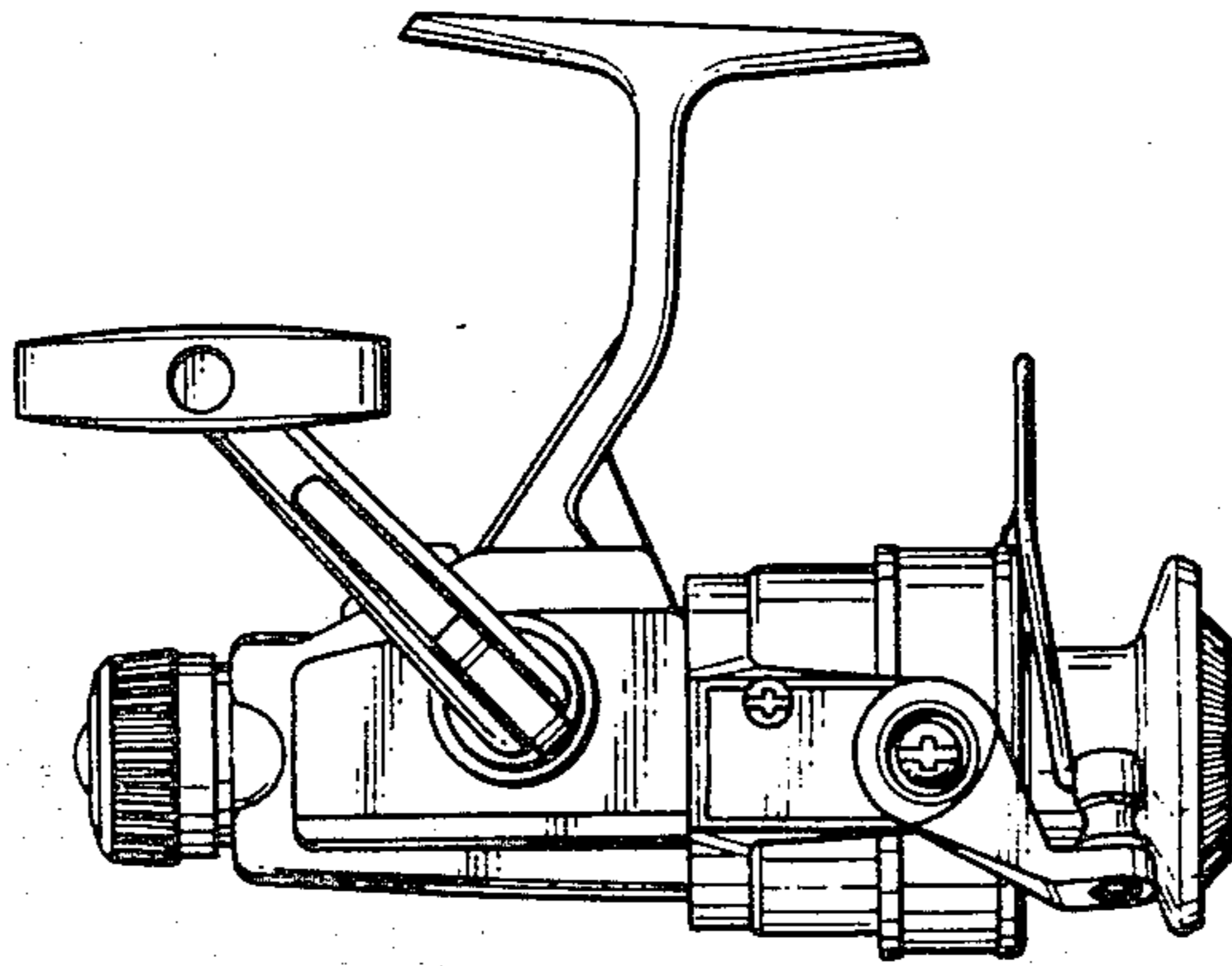


Fig. 3

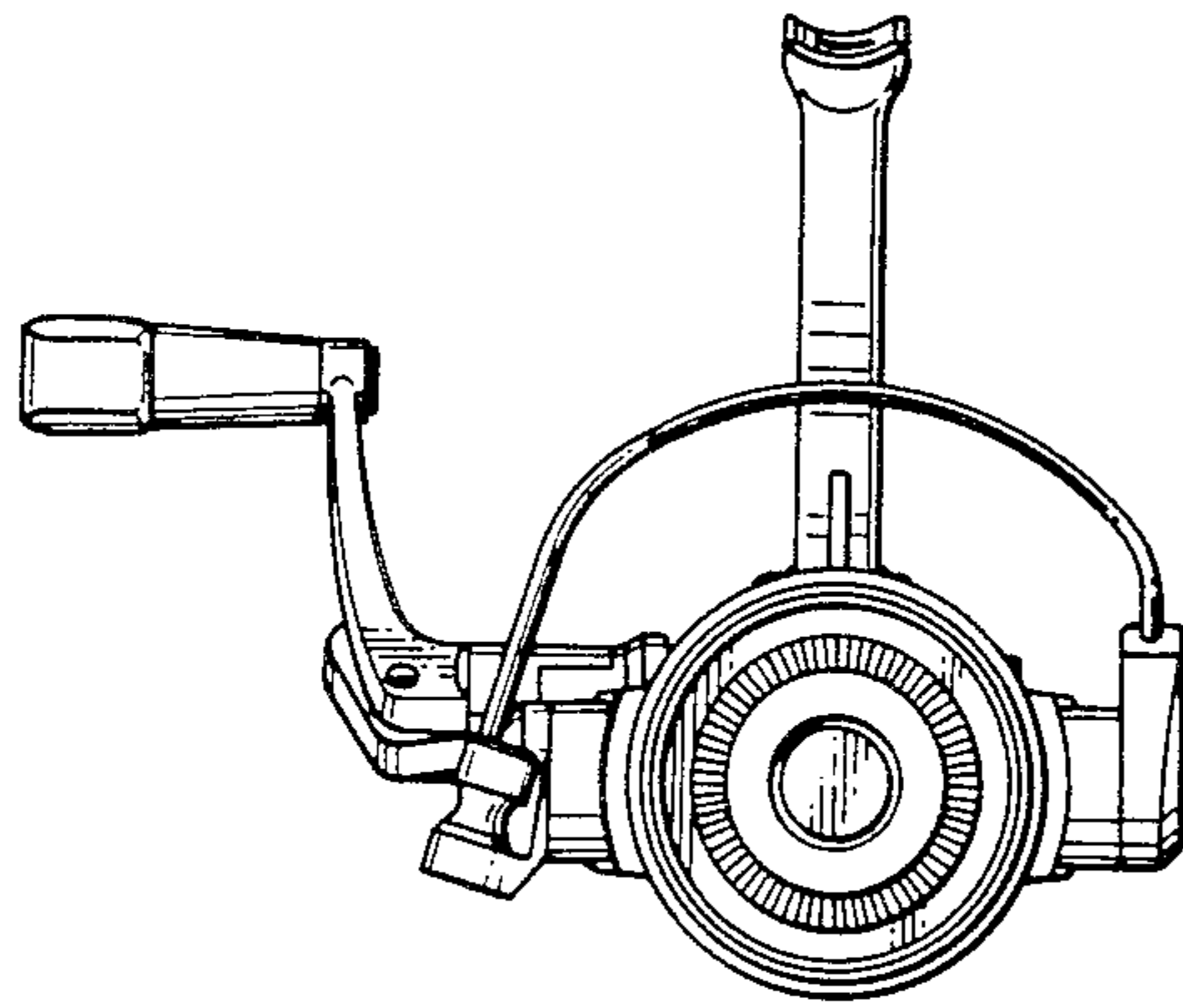


Fig. 4

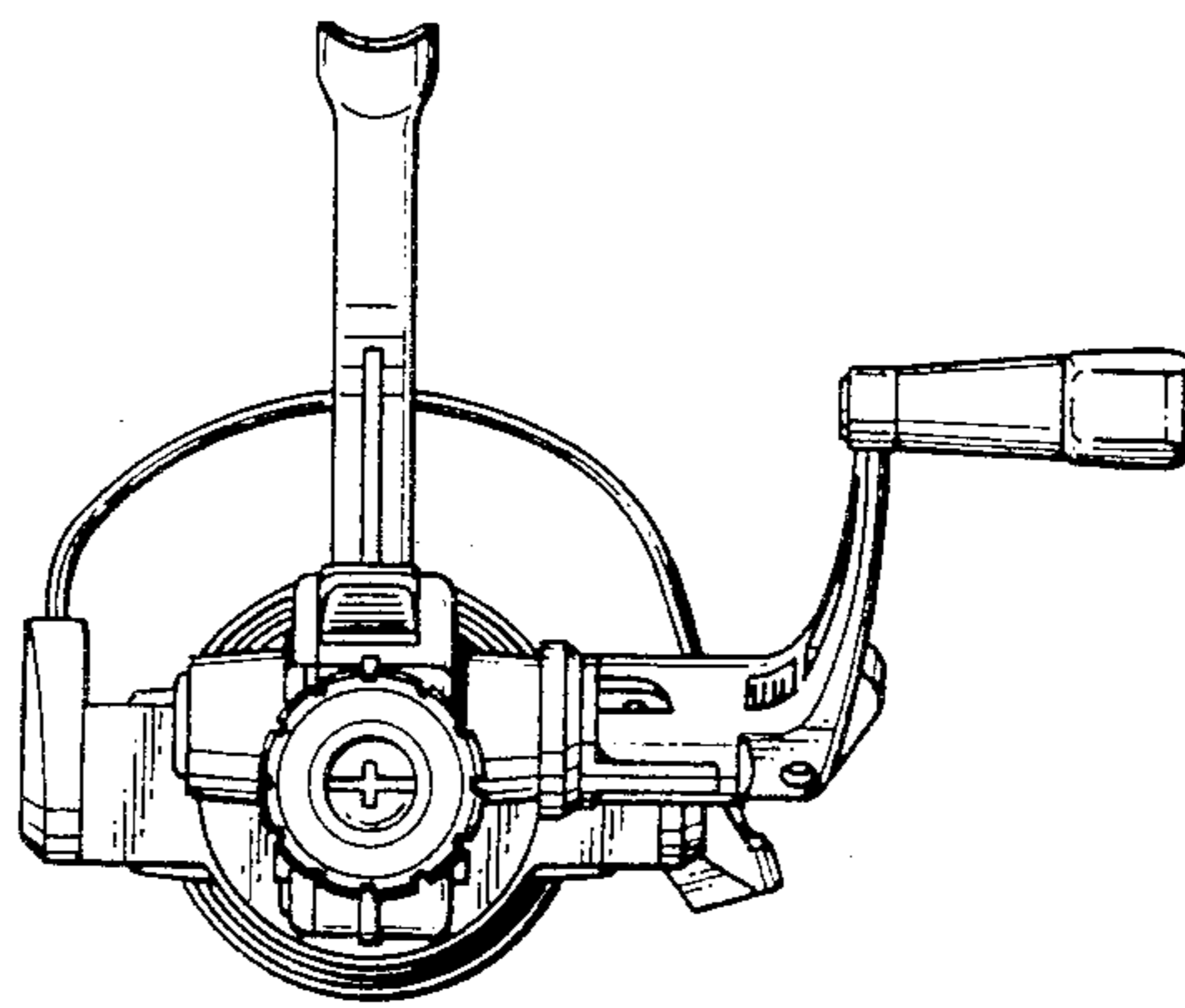


Fig. 5

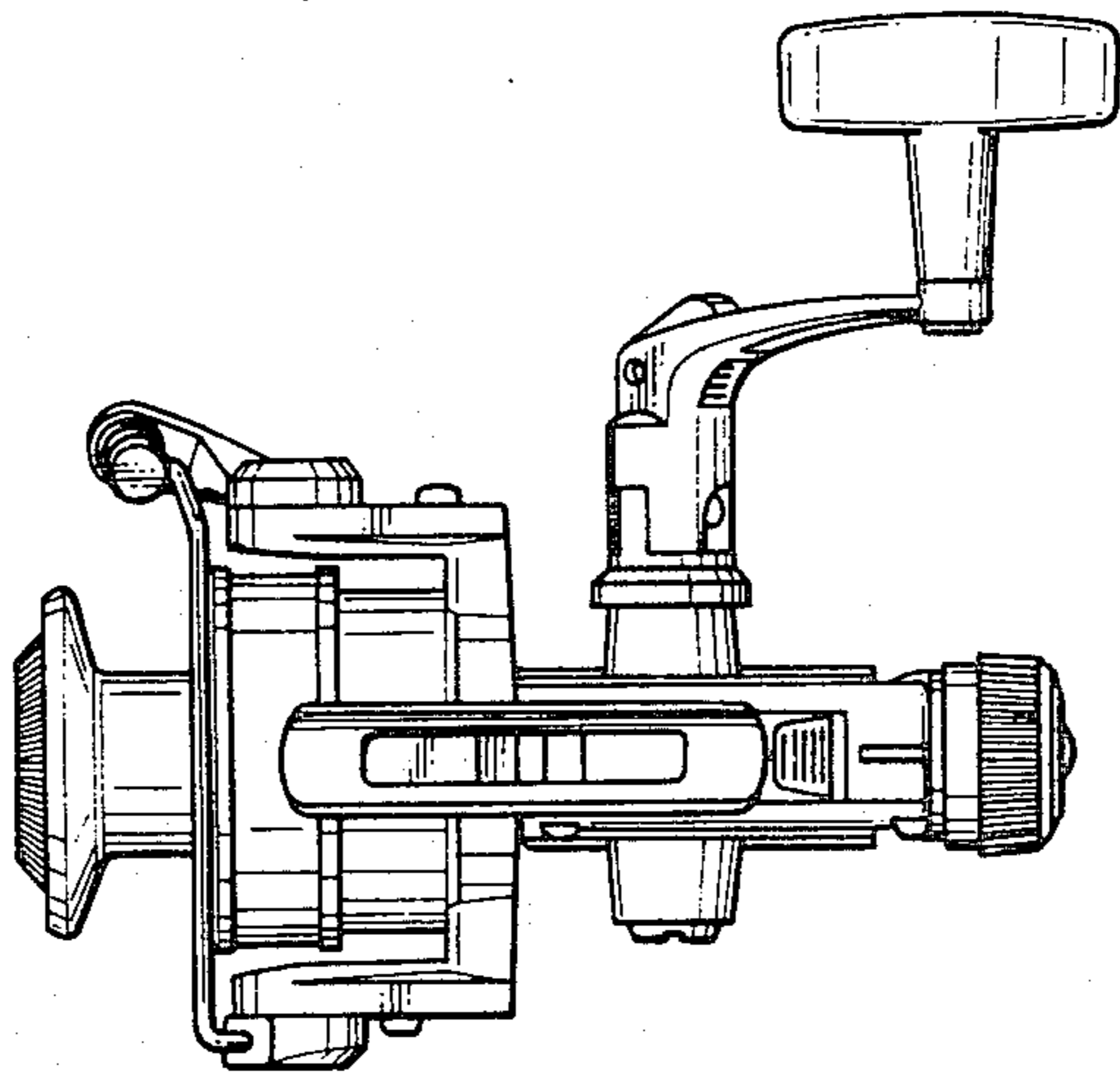


Fig. 6

