

[54] **FISHING REEL**

[75] **Inventor: Takashi Atobe, Tokyo, Japan**

[73] **Assignee: Daiwa Seiko, Inc., Tokyo, Japan**

[\*\*] **Term: 14 Years**

[21] **Appl. No.: 486,173**

[22] **Filed: Apr. 18, 1983**

[30] **Foreign Application Priority Data**

Oct. 18, 1982 [JP] Japan ..... 57-47297

[52] **U.S. Cl. .... D22/25**

[58] **Field of Search ..... D22/25; 242/84.1 R,  
242/84.1 A, 84.2 R, 84.2 F, 84.2 A, 84.21 A,  
84.4**

[56] **References Cited**

**U.S. PATENT DOCUMENTS**

D. 265,497 7/1982 Sakamoto et al. .... D22/25  
D. 266,184 9/1982 Inuma et al. .... D22/25

*Primary Examiner*—A. Hugo Word  
*Attorney, Agent, or Firm*—Sughrue, Mion, Zinn,  
Macpeak & Seas

[57] **CLAIM**

The ornamental design for a fishing reel, as shown.

**DESCRIPTION**

FIG. 1 is a front, and right side perspective view of a fishing reel showing my new design;  
FIG. 2 is a front and left side perspective view thereof;  
FIG. 3 is a top, rear and left side perspective view thereof; and  
FIG. 4 is a bottom perspective view thereof.

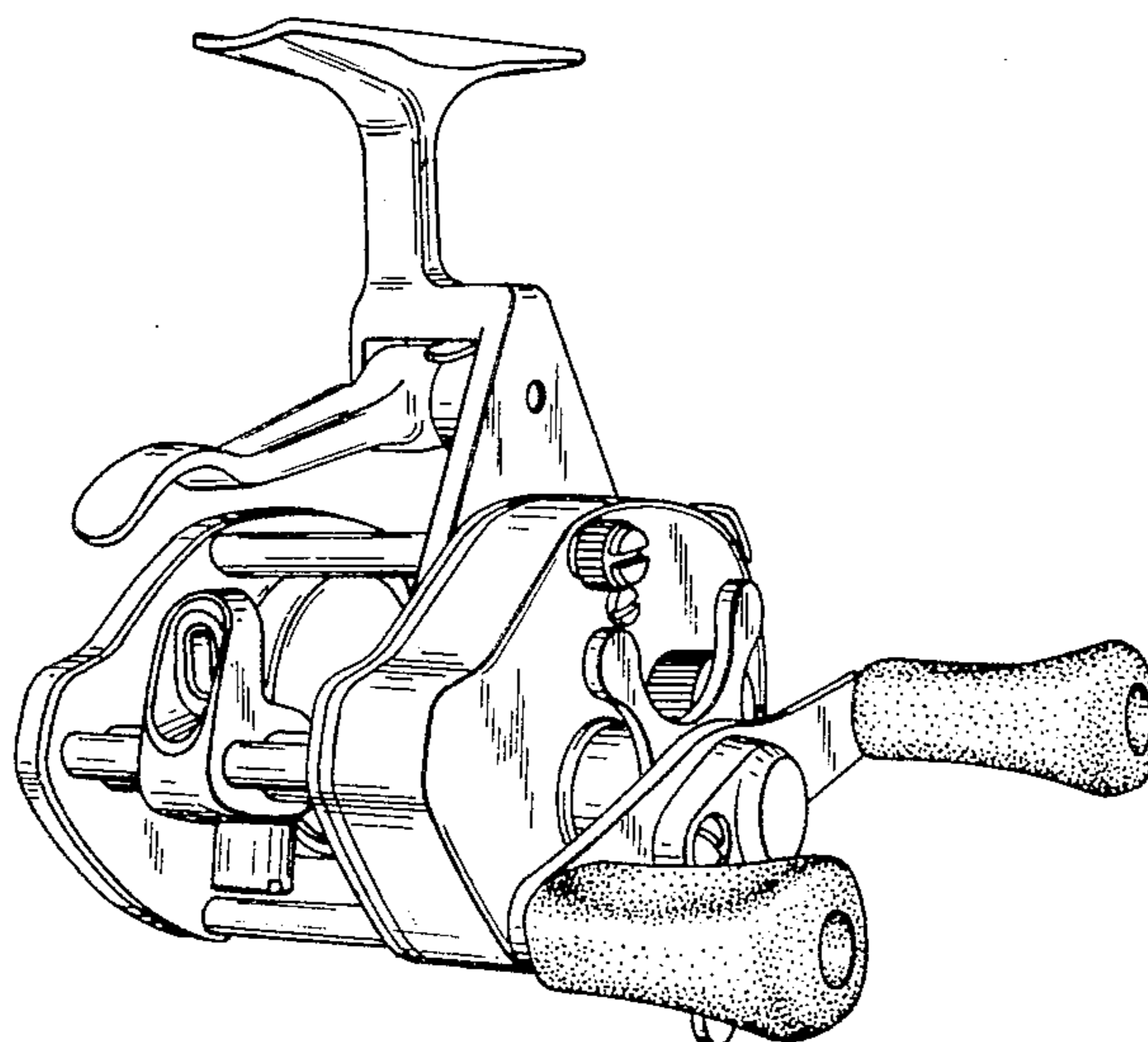


FIG. 1

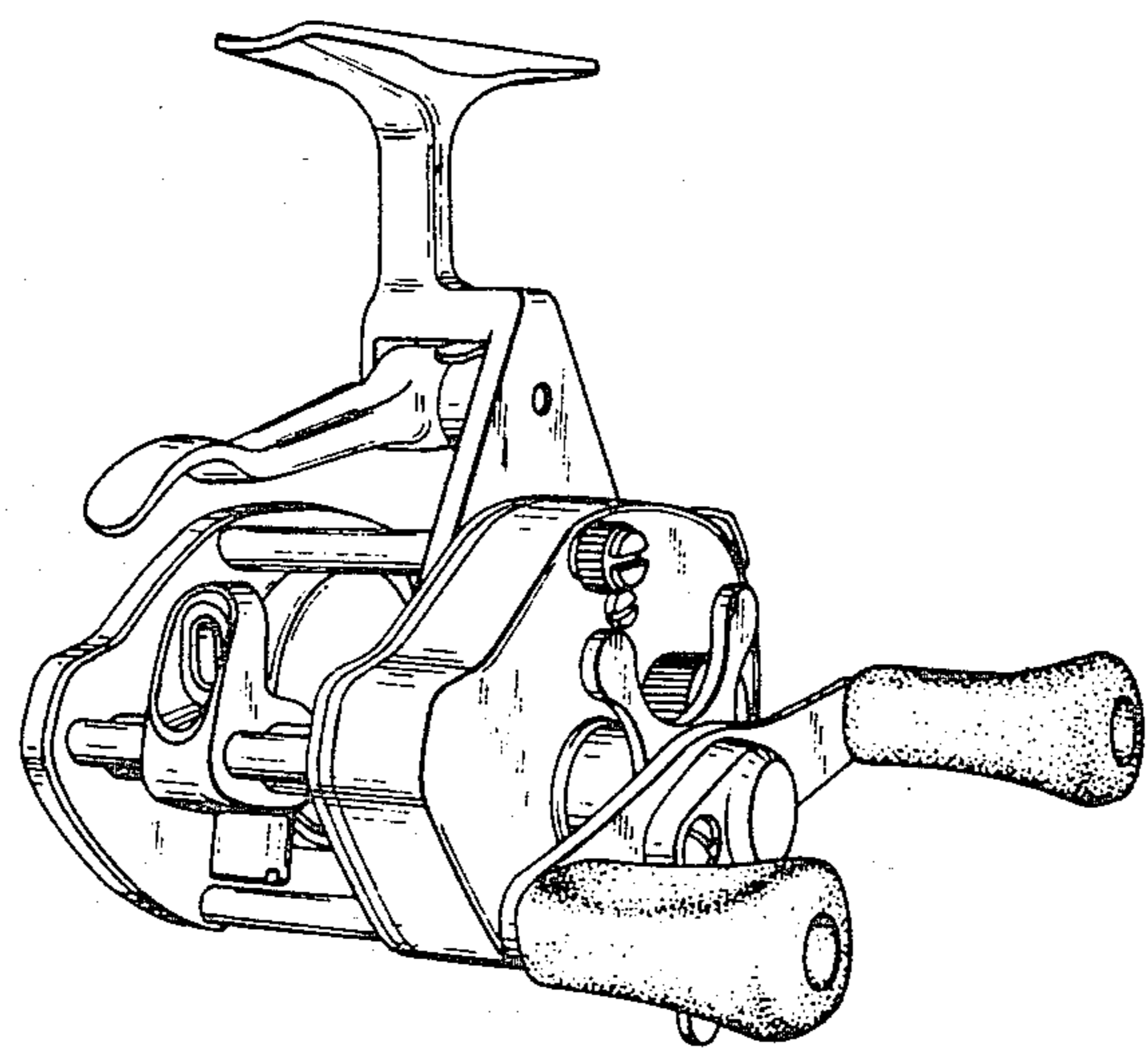


FIG. 2

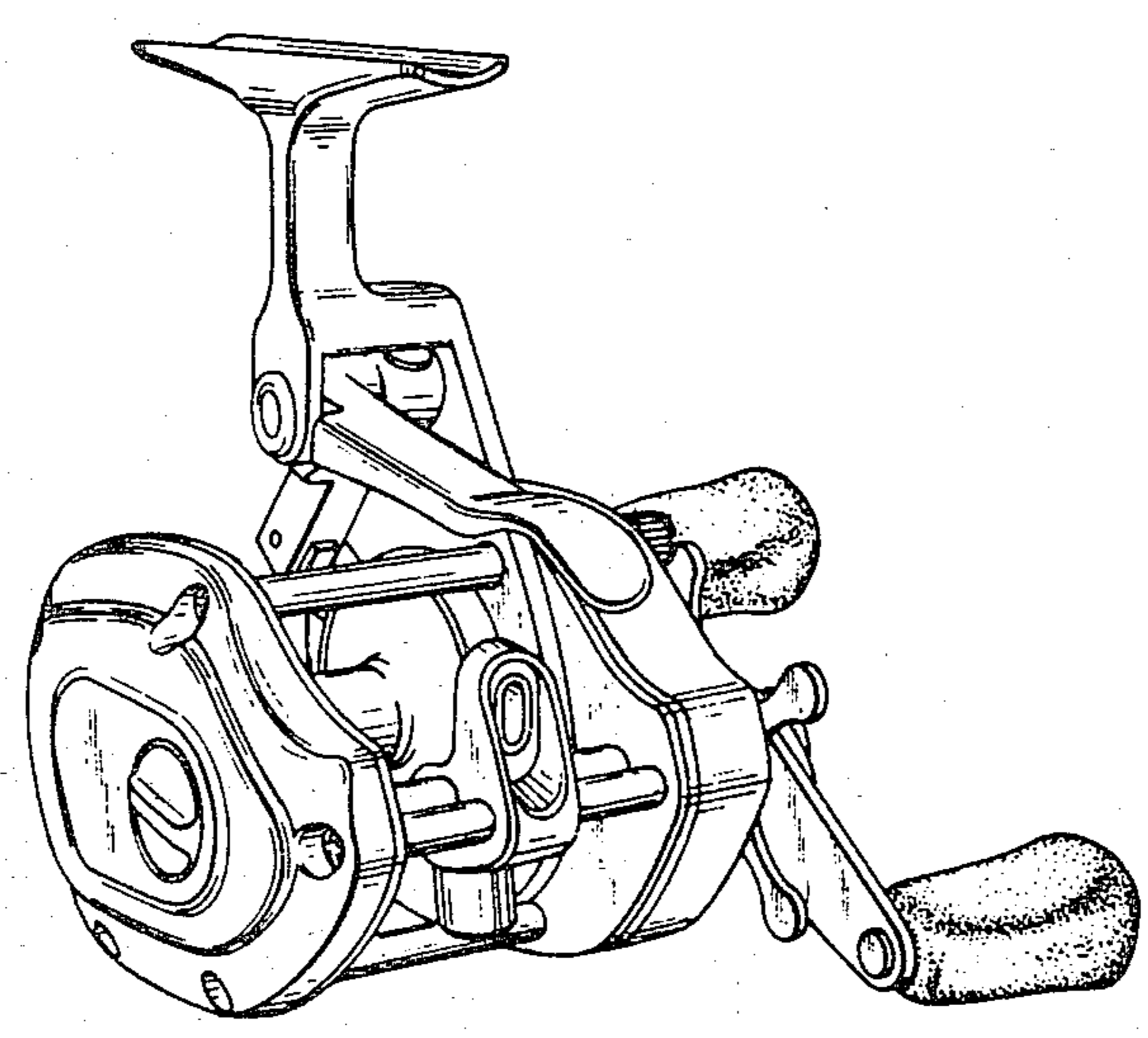


FIG. 3

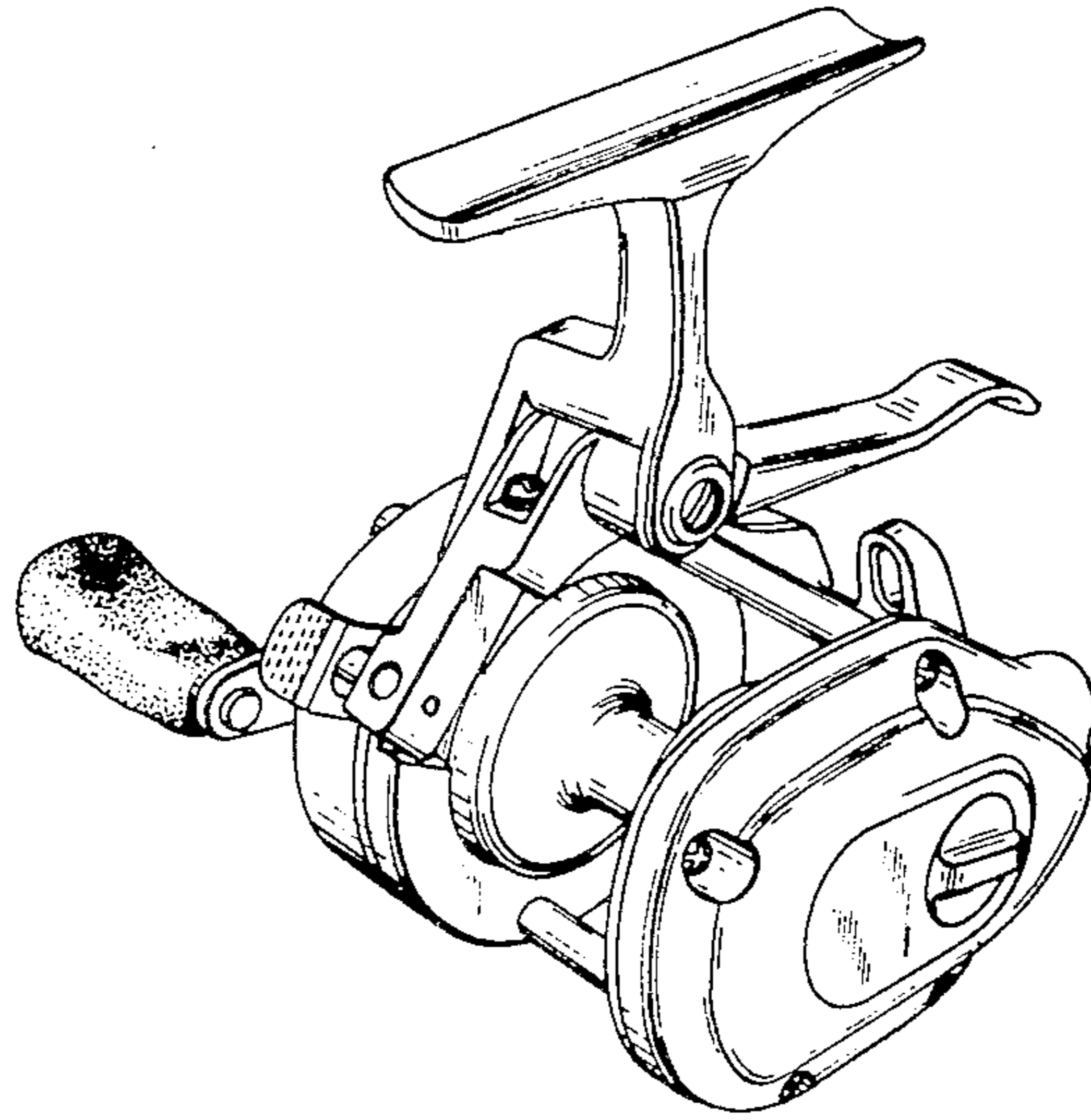


FIG. 4

