

# United States Patent [19]

Krive

[11] Patent Number: **Des. 281,343**

[45] Date of Patent: **\*\* Nov. 12, 1985**

[54] LEG EXERCISER OR SIMILAR ARTICLE

[76] Inventor: **Irwin M. Krive**, 31 Slocum Ave.,  
Port Washington, N.Y. 11050

[\*\*] Term: **14 Years**

[21] Appl. No.: **516,302**

[22] Filed: **Jul. 21, 1983**

[52] U.S. Cl. .... **D21/192**

[58] Field of Search ..... **D21/191-199;**  
**272/DIG. 9, 900, 70**

4,111,416 9/1978 Jinotti ..... 272/900  
4,253,661 3/1981 Russell ..... 272/DIG. 9  
4,422,635 12/1983 Herod et al. .... 272/900

*Primary Examiner*—Charles A. Rademaker  
*Attorney, Agent, or Firm*—Hoffmann, Dilworth, Barrese  
& Baron

## [57] CLAIM

The ornamental design for a leg exerciser or similar article, as shown.

## DESCRIPTION

FIG. 1 is a perspective view of a leg exerciser or similar article showing my new design;  
FIG. 2 is a front elevational view thereof;  
FIG. 3 is a side elevational view thereof;  
FIG. 4 is a rear elevational view thereof;  
FIG. 5 is a top plan view thereof; and,  
FIG. 6 is a bottom plan view thereof.

## [56] References Cited

### U.S. PATENT DOCUMENTS

D. 277,220 1/1985 Herburger ..... D21/192  
3,627,313 12/1971 Schonfeld ..... 272/DIG. 9  
3,628,791 12/1971 Garcia ..... 272/DIG. 9  
3,641,601 2/1972 Sieg ..... 272/DIG. 9

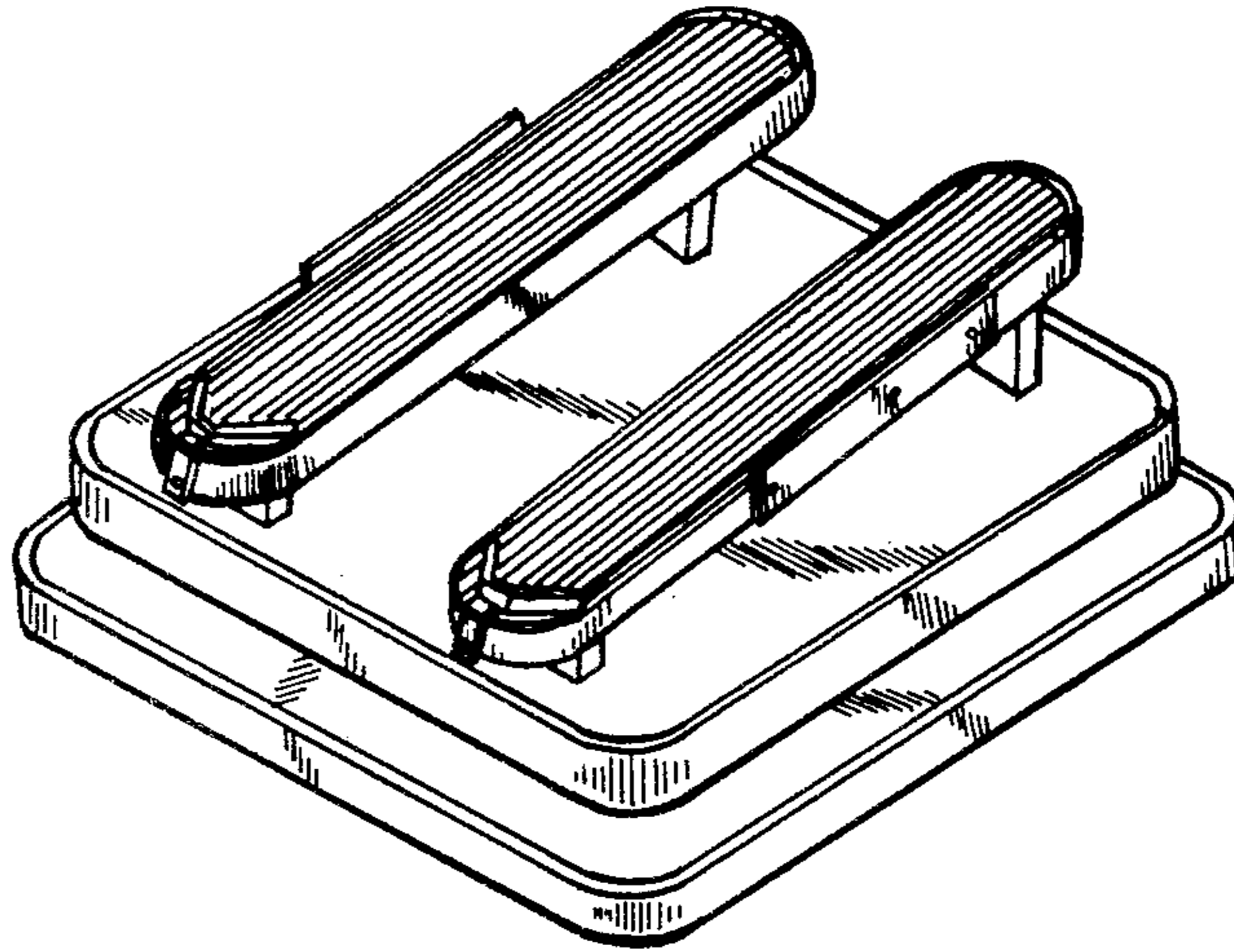


FIG. 1

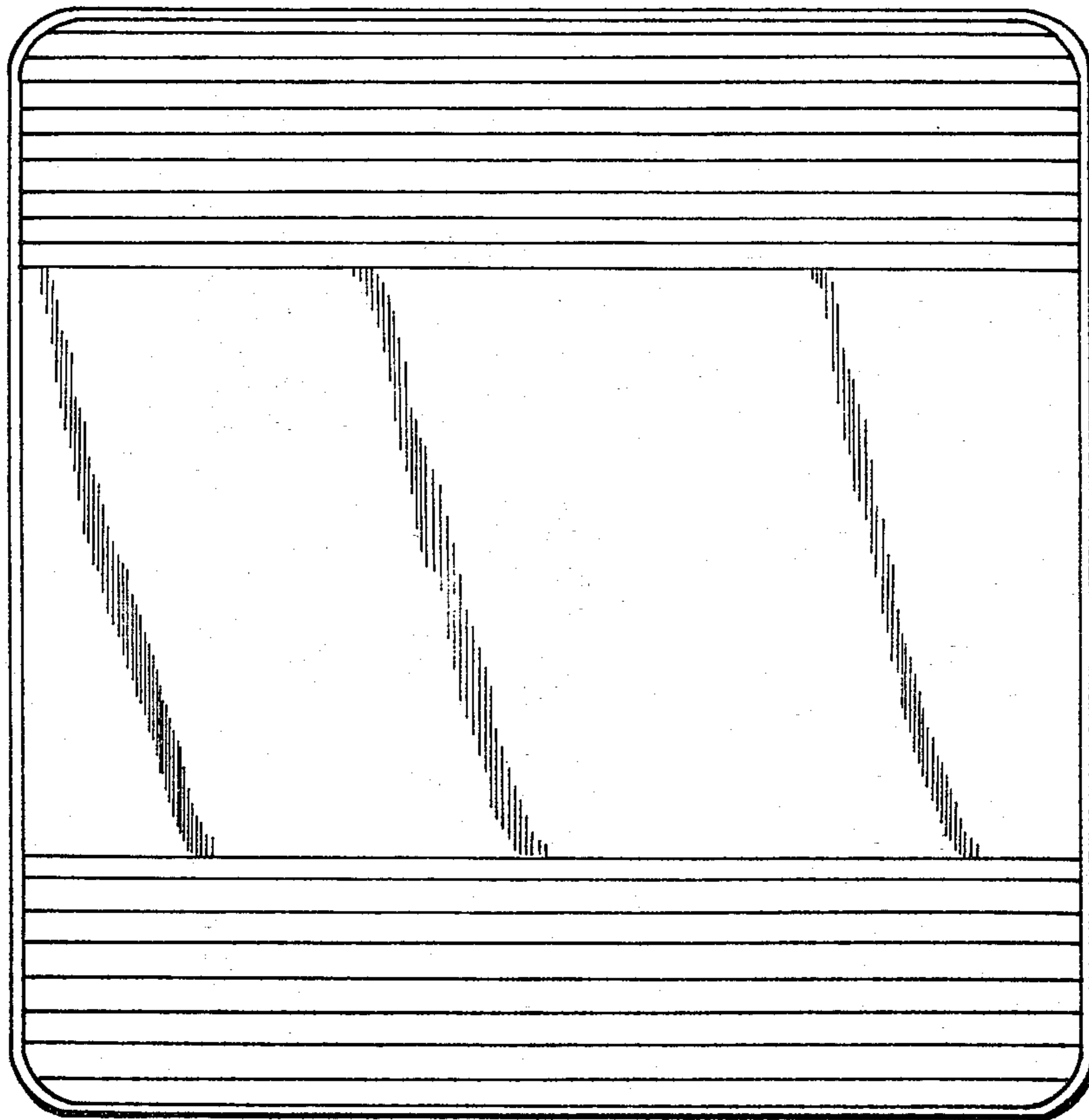
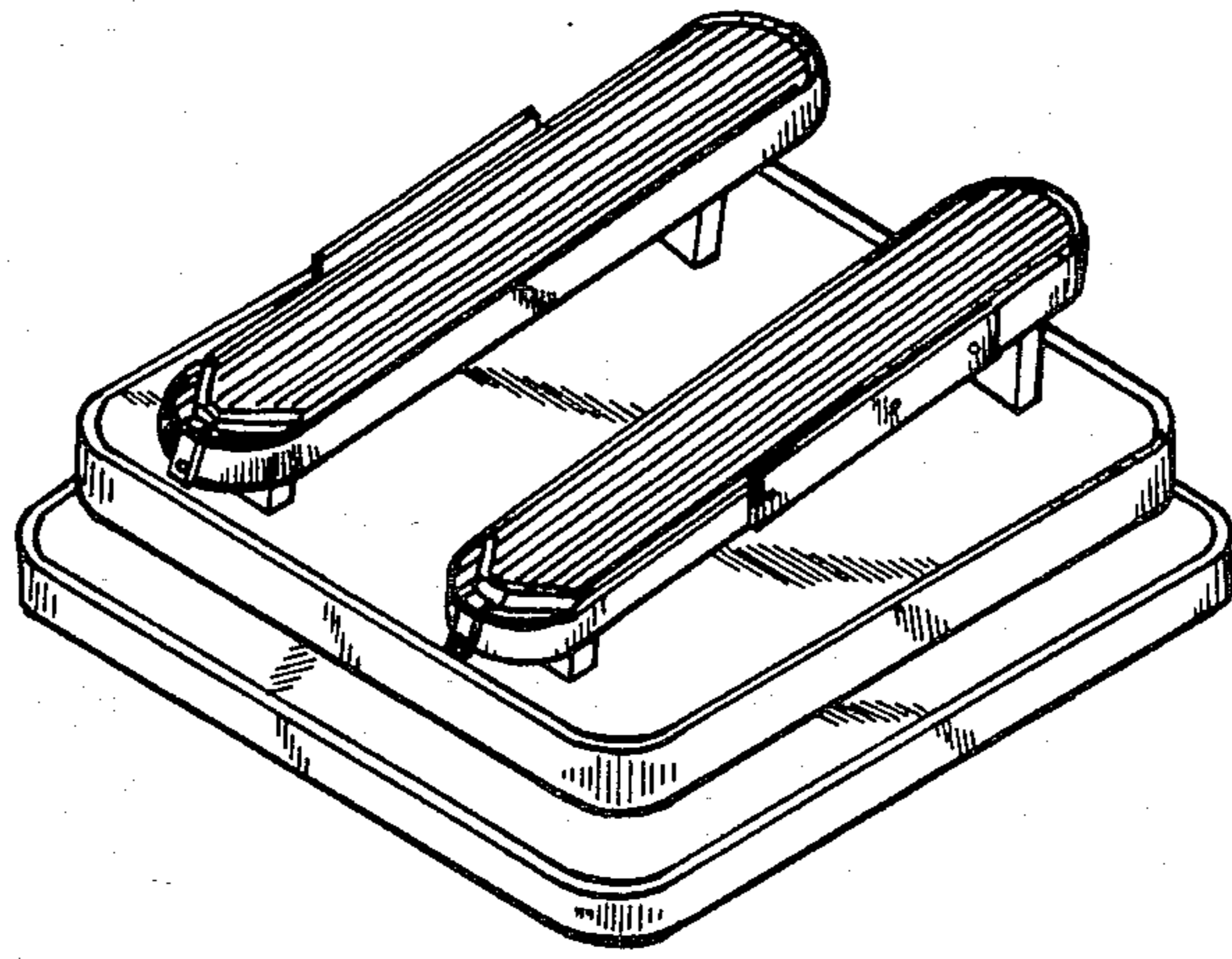


FIG. 6

FIG. 2

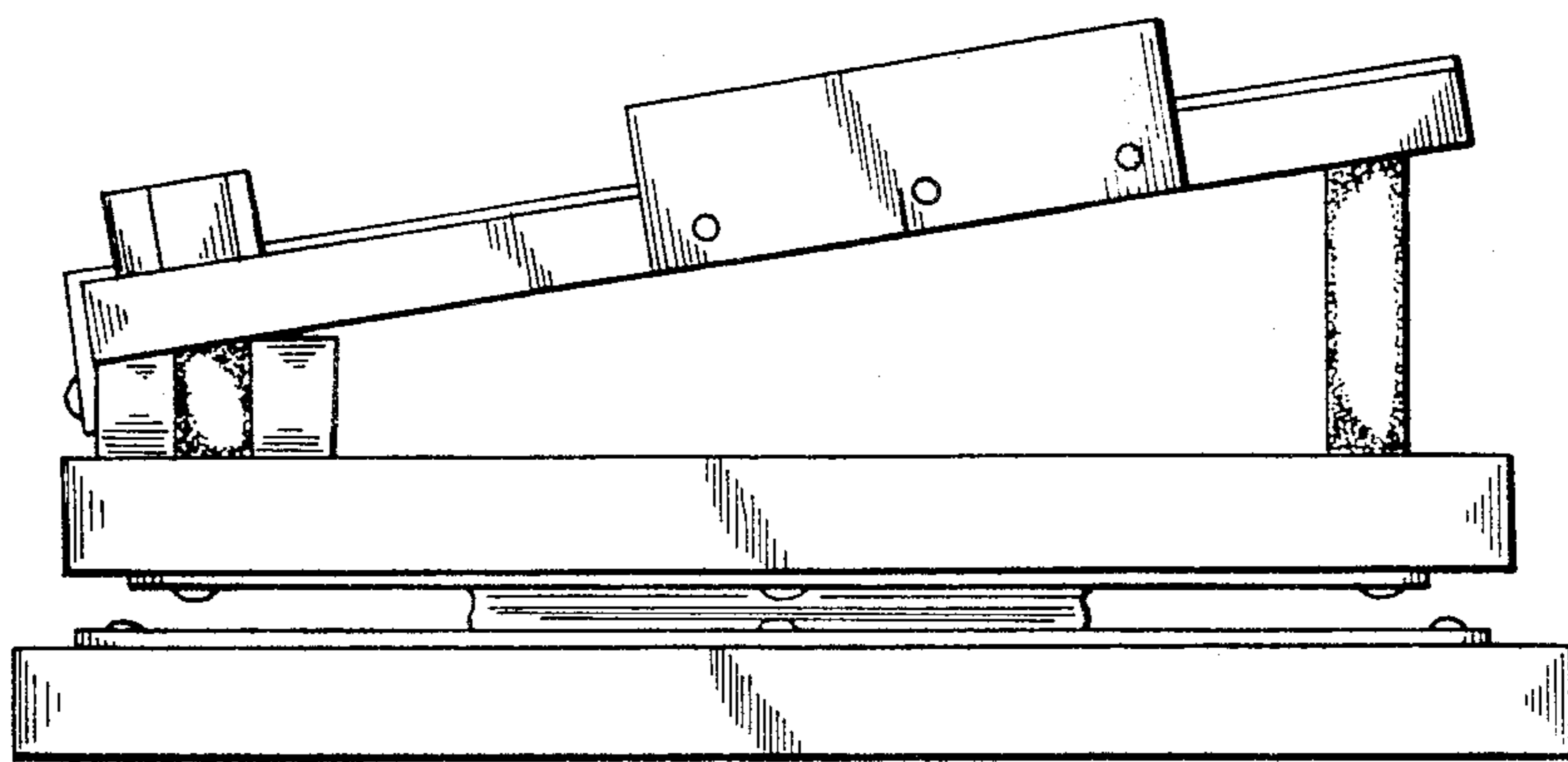
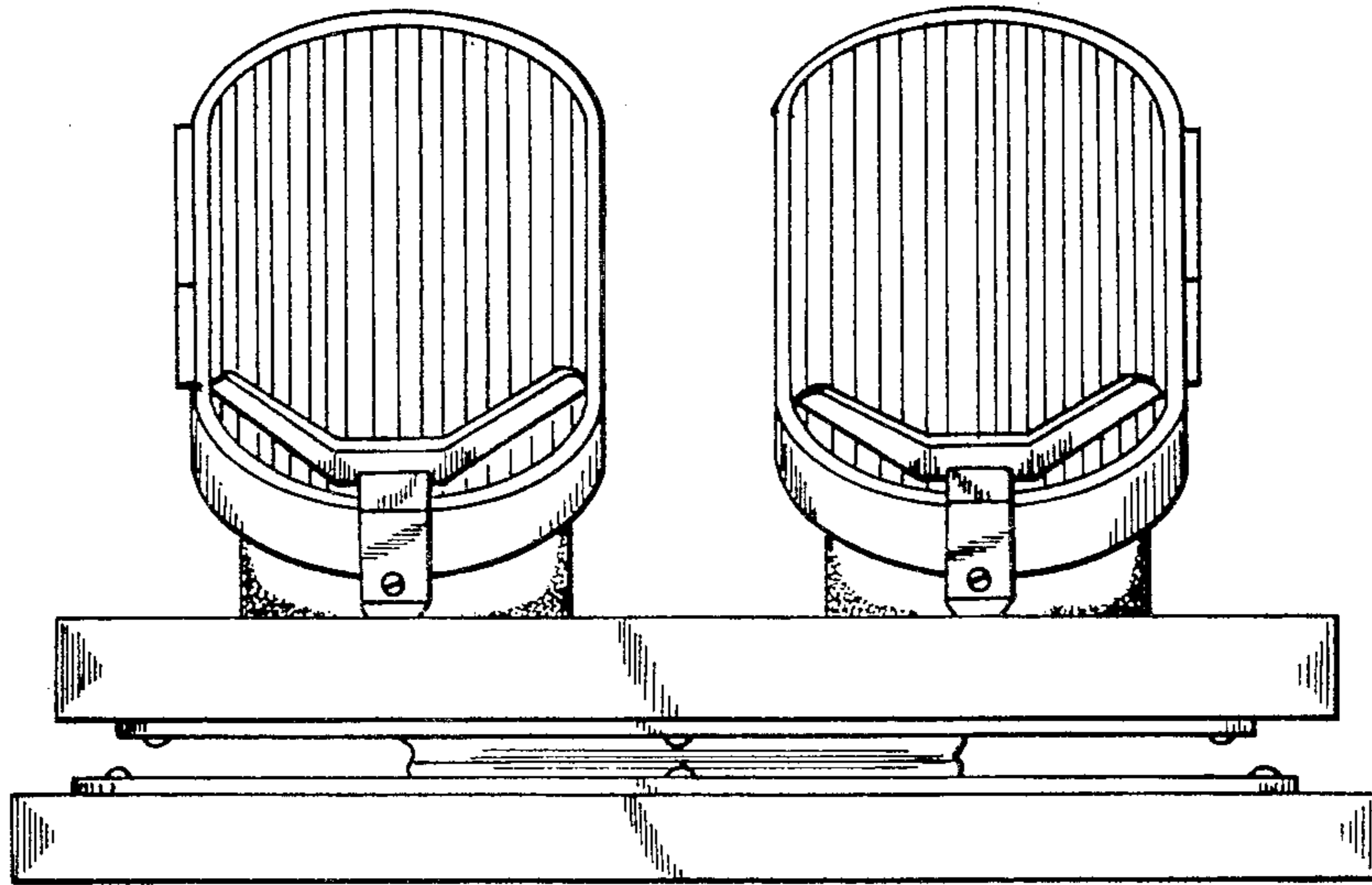


FIG. 3

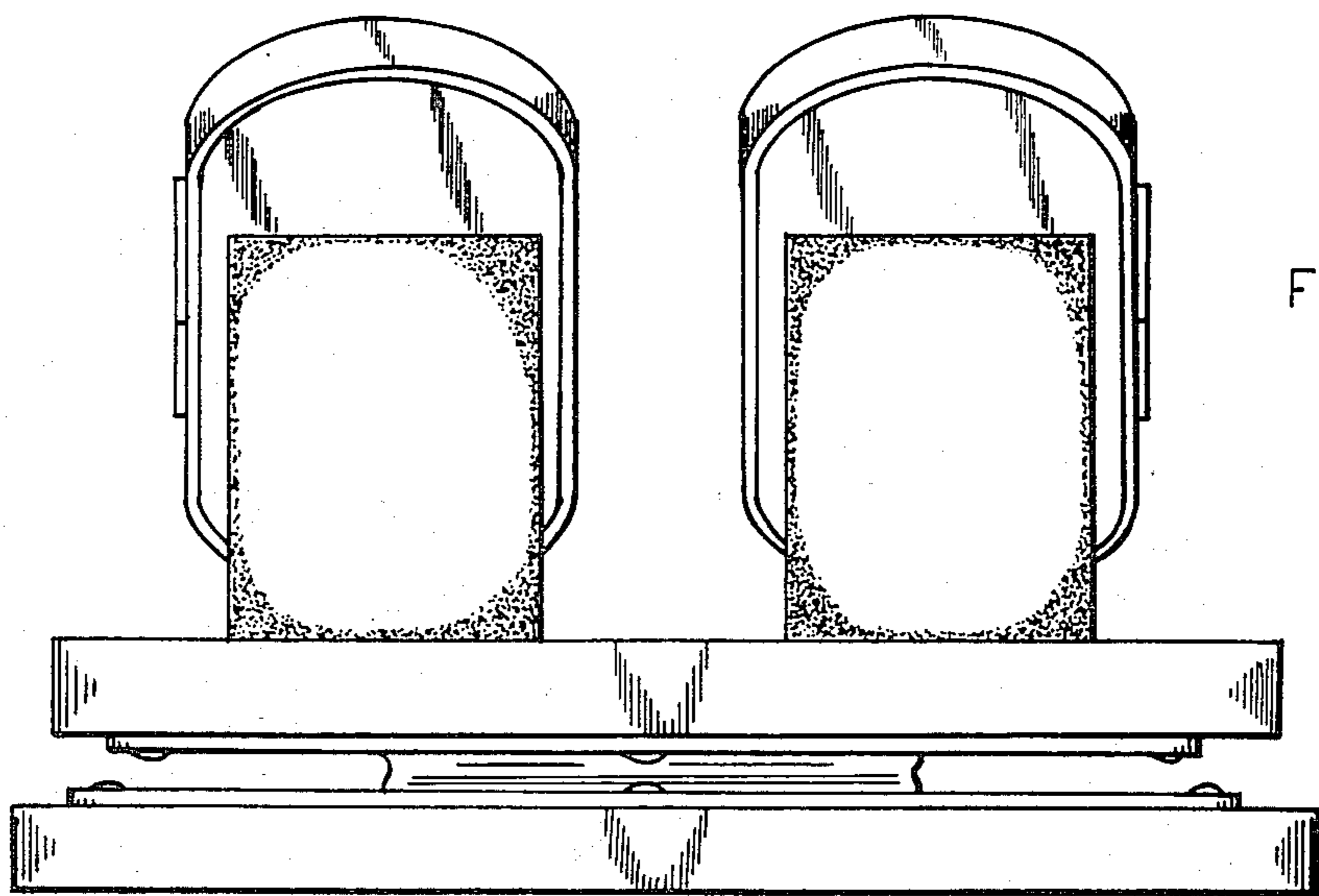


FIG. 4

FIG. 5

