

[54] POP-UP TOY

[76] Inventor: Simon Gompes, Cannenburg 31, Amsterdam, Netherlands

[**] Term: 14 Years

[21] Appl. No.: 516,945

[22] Filed: Jul. 25, 1983

[30] Foreign Application Priority Data

Jan. 26, 1983 [GB] United Kingdom 1011060

[52] U.S. Cl. D21/151; D21/69

[58] Field of Search D21/151, 155, 69, 173; 446/310, 183, 325

[56] References Cited

U.S. PATENT DOCUMENTS

D. 154,088	6/1949	White	D21/173
D. 182,557	4/1958	Wilkening	D21/151
741,360	10/1903	Mosely	D21/151
2,611,214	9/1952	Schur	446/325

Primary Examiner—Melvin B. Feifer
Attorney, Agent, or Firm—Burgess, Ryan & Wayne

[57] CLAIM

The ornamental design for a pop-up toy, substantially as shown and described.

DESCRIPTION

FIG. 1 is a top plan view thereof, with the head of the pop-up toy in its hidden position showing my new design;

FIG. 2 is a bottom plan view thereof;

FIG. 3 is a front elevation view thereof;

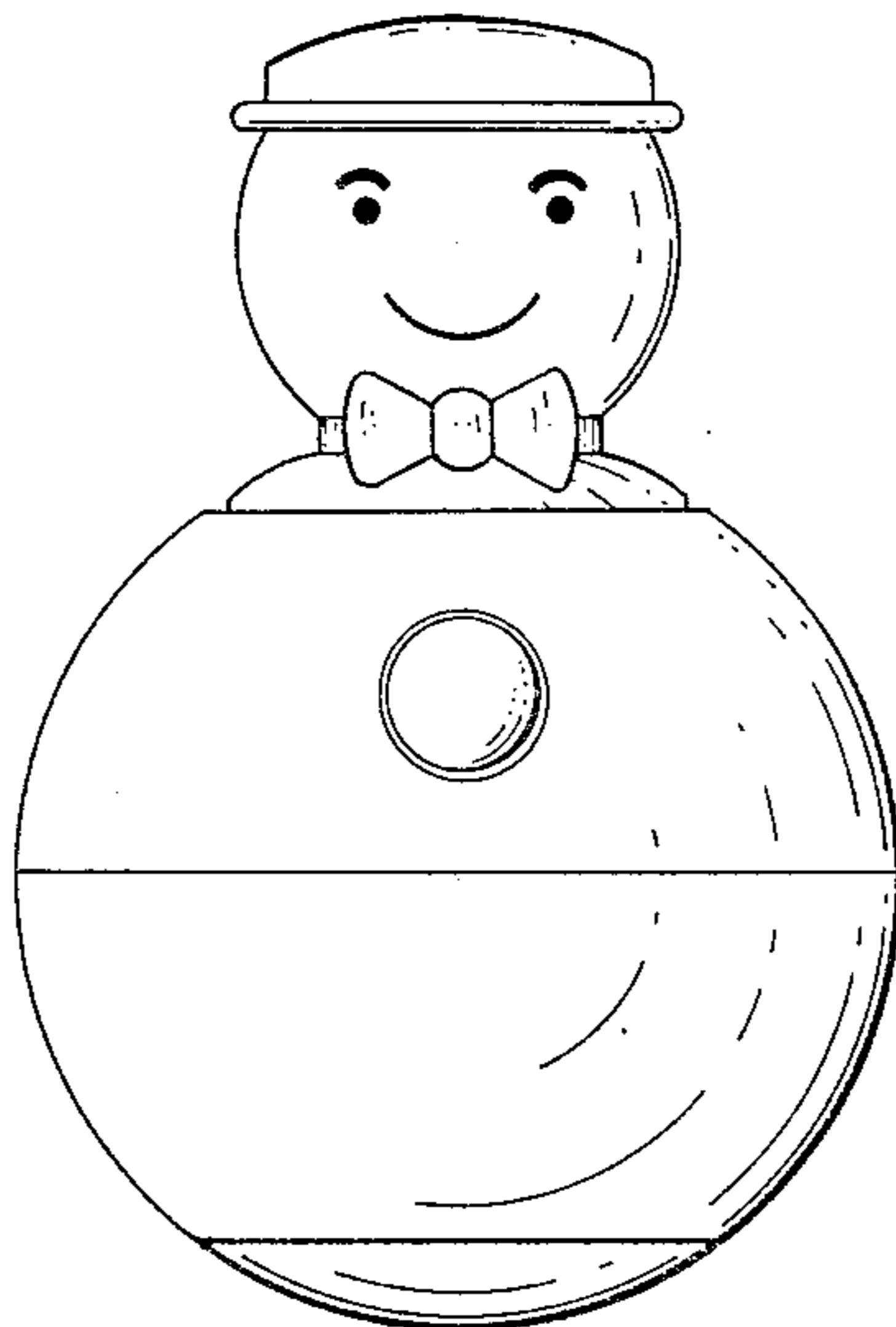
FIG. 4 is a left side elevation view thereof, the right side elevation view being a mirror image;

FIG. 5 is a rear elevation view thereof;

FIG. 6 is a front elevation view thereof with the head of the toy in its released position;

FIG. 7 is a rear elevation view thereof; and

FIG. 8 is a left side elevation view thereof, the right side elevation view being a mirror image.



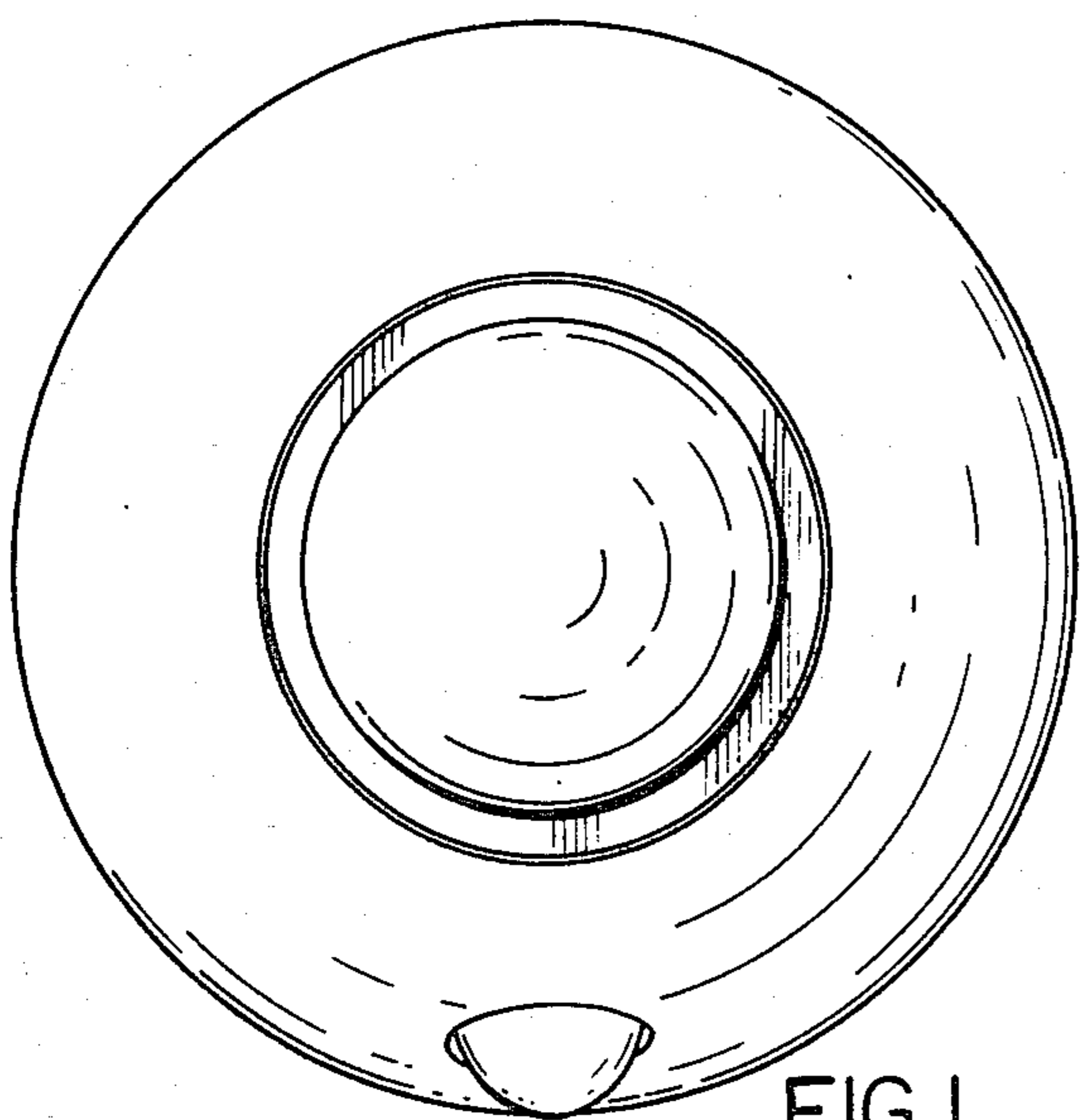


FIG. 1

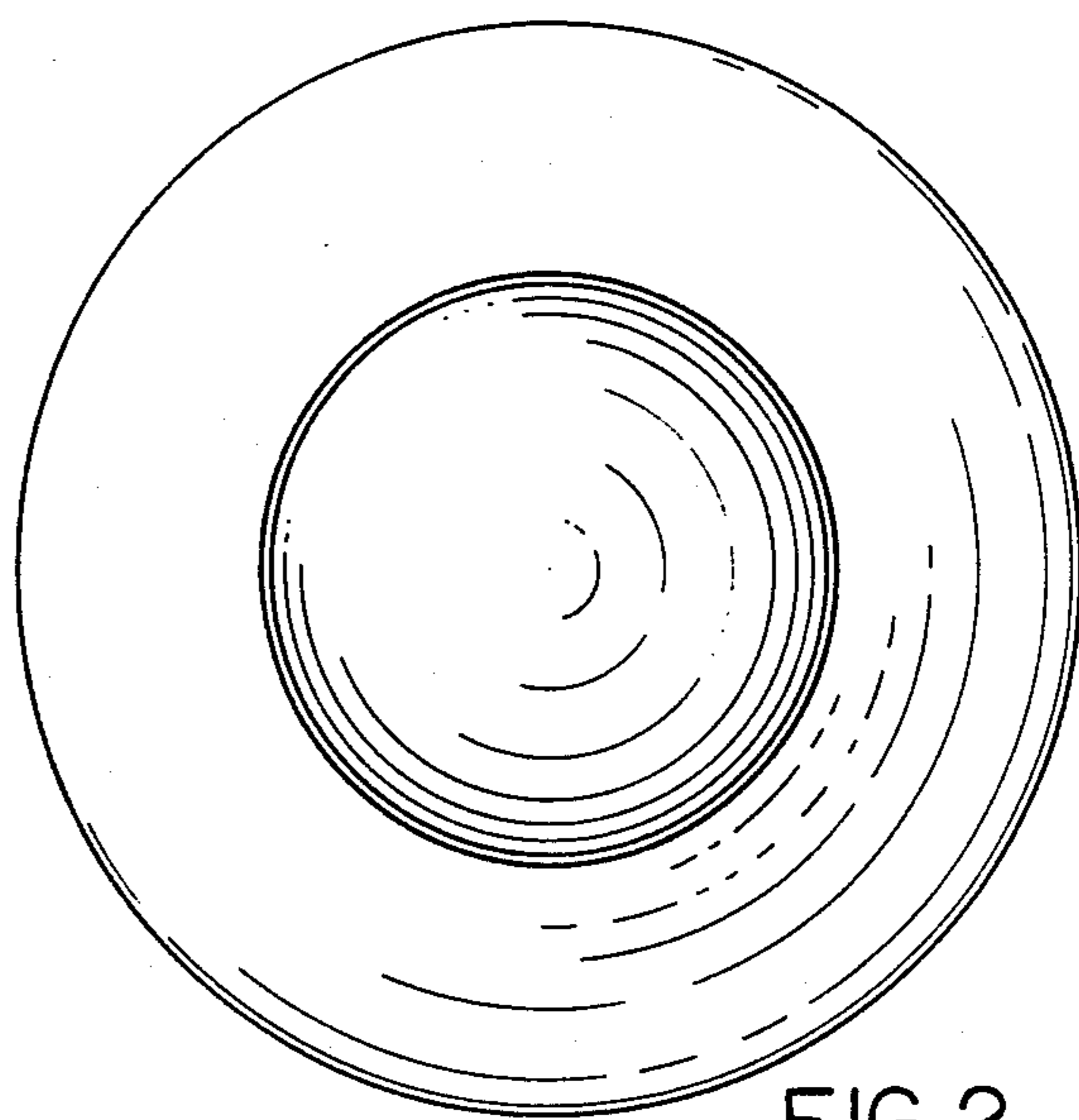


FIG. 2

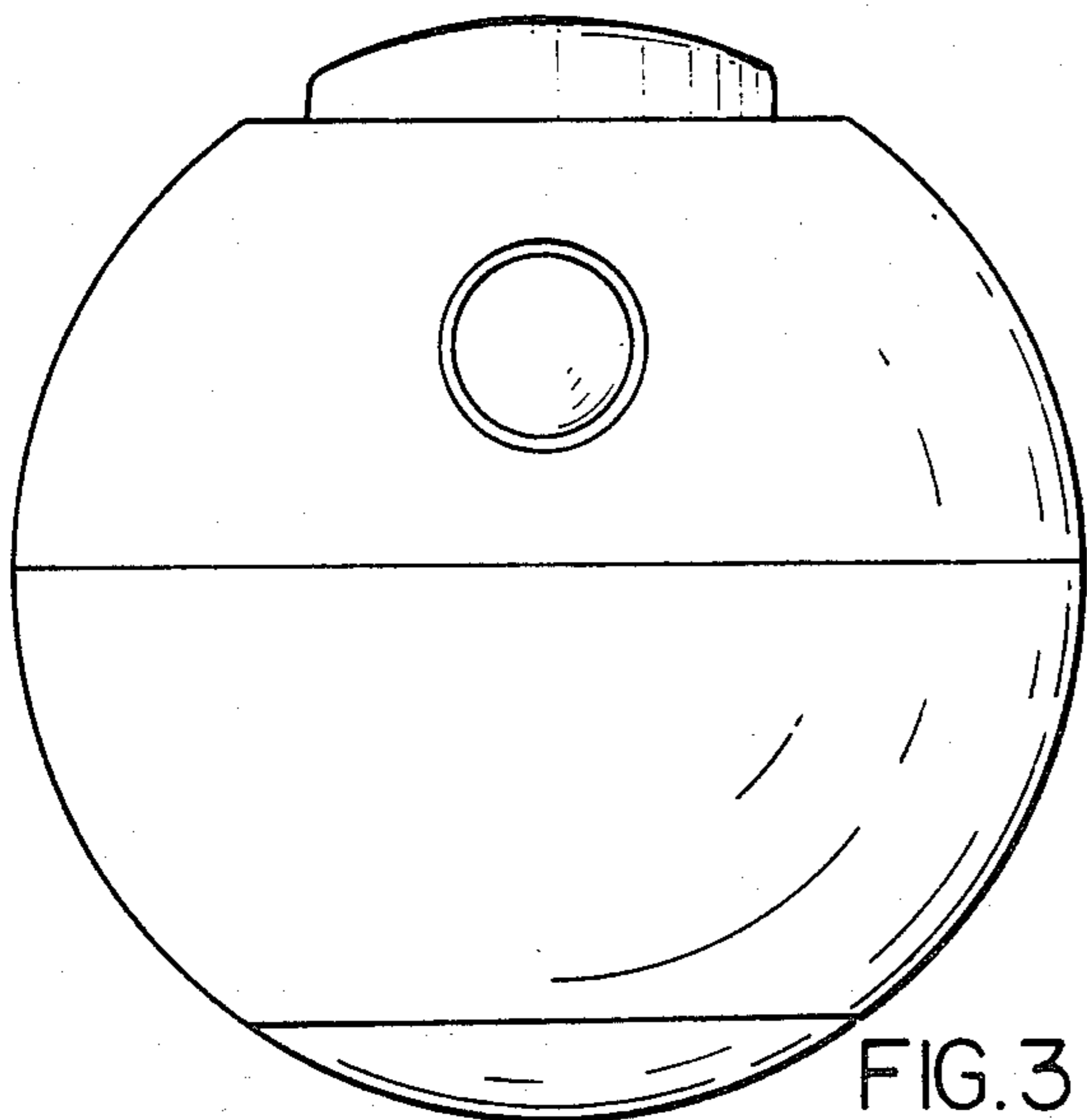


FIG. 3

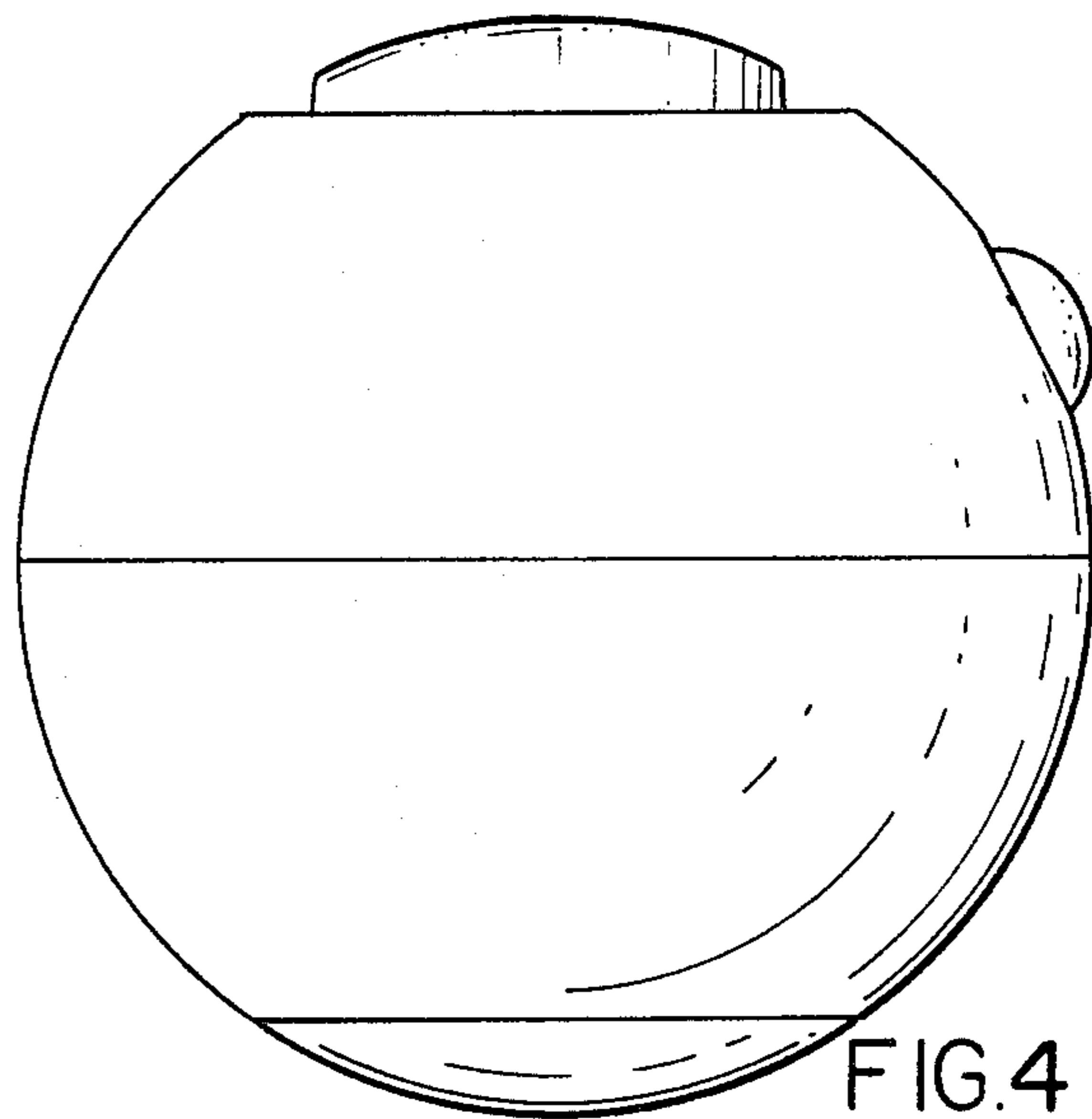


FIG. 4

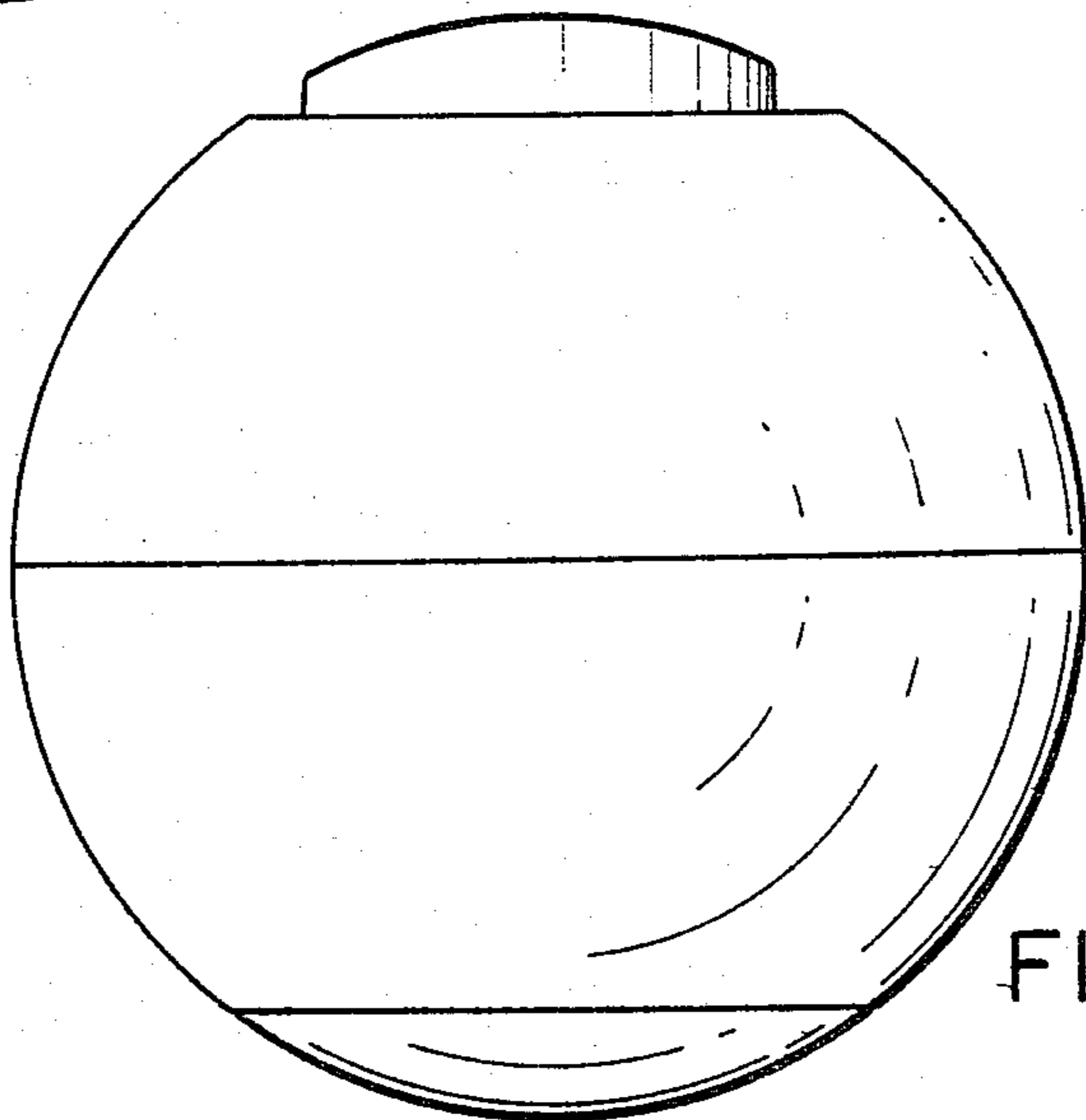


FIG. 5

