

[54] **TOY VEHICLE**

[75] **Inventor: Kam H. Lau, Chaiwan, Hong Kong**

[73] **Assignee: Far East Toys & Novelties Manufacturing Limited, Hong Kong, Hong Kong**

[**] **Term: 14 Years**

[21] **Appl. No.: 525,667**

[22] **Filed: Aug. 23, 1983**

[30] **Foreign Application Priority Data**

Apr. 27, 1983 [GB] United Kingdom 1012725
[52] **U.S. Cl.** **D21/136**
[58] **Field of Search** D21/76, 78, 79, 80, D21/81, 128, 131, 132, 133, 134, 135, 136, 137, 139, 140; 446/440, 451, 465, 466; 280/87.01, 87.02 R, 87.1, 87.2

[56] **References Cited**

U.S. PATENT DOCUMENTS

D. 203,609	2/1966	Pfister	D21/135
D. 207,651	5/1967	Ryan et al.	D21/134
D. 274,634	7/1984	Terui et al.	D21/136
D. 275,874	10/1984	Manning et al.	D21/140

Primary Examiner—Charles A. Rademaker
Attorney, Agent, or Firm—Bacon & Thomas

[57] **CLAIM**

The ornamental design for a toy vehicle, substantially as shown.

DESCRIPTION

FIG. 1 is a front perspective view of a toy vehicle showing my new design;
FIG. 2 is a side elevational view thereof;
FIG. 3 is a rear elevational view thereof;
FIG. 4 is a front elevational view thereof;
FIG. 5 is a top plan view thereof; and,
FIG. 6 is a bottom plan view thereof.

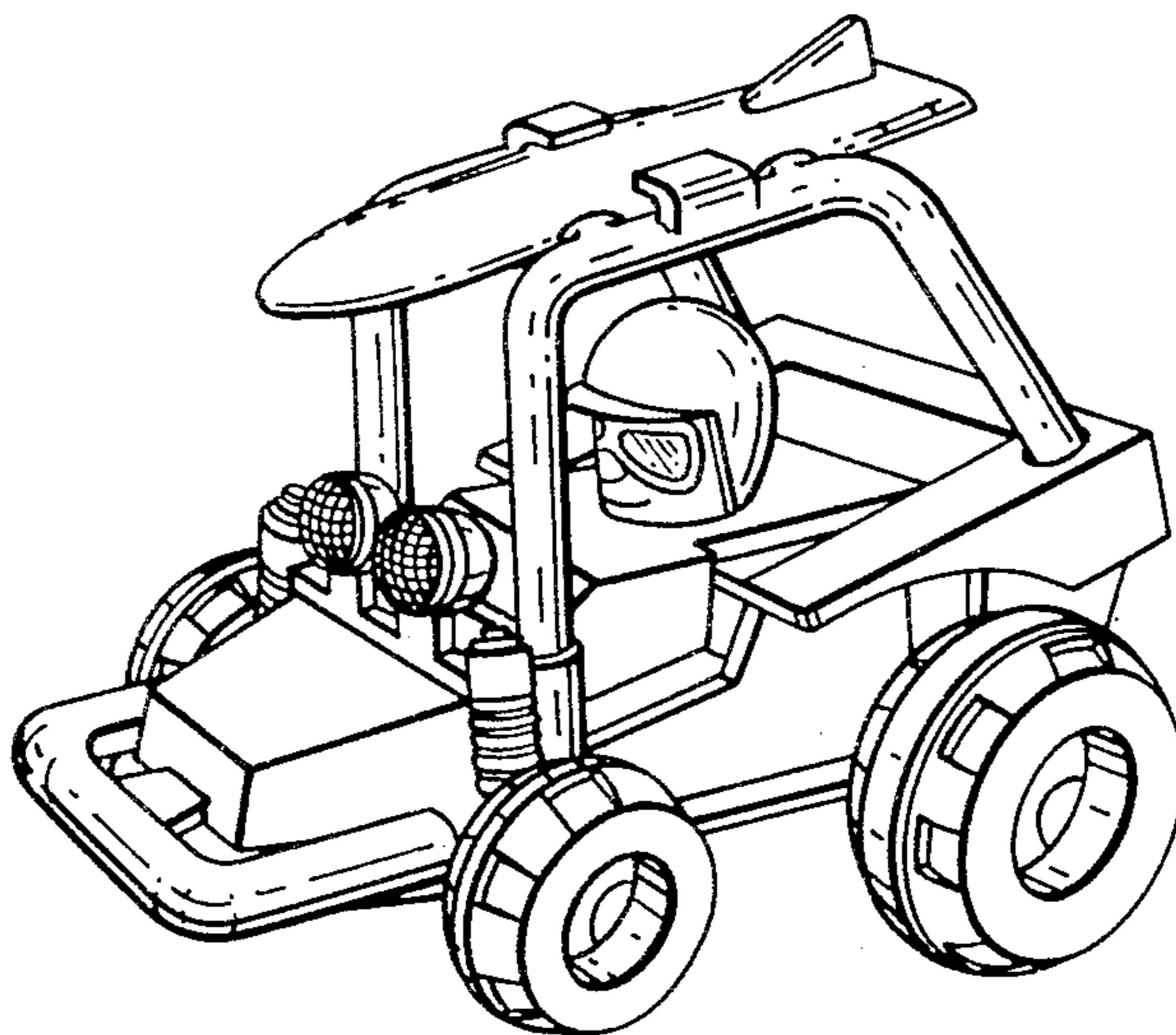


FIG. 1.

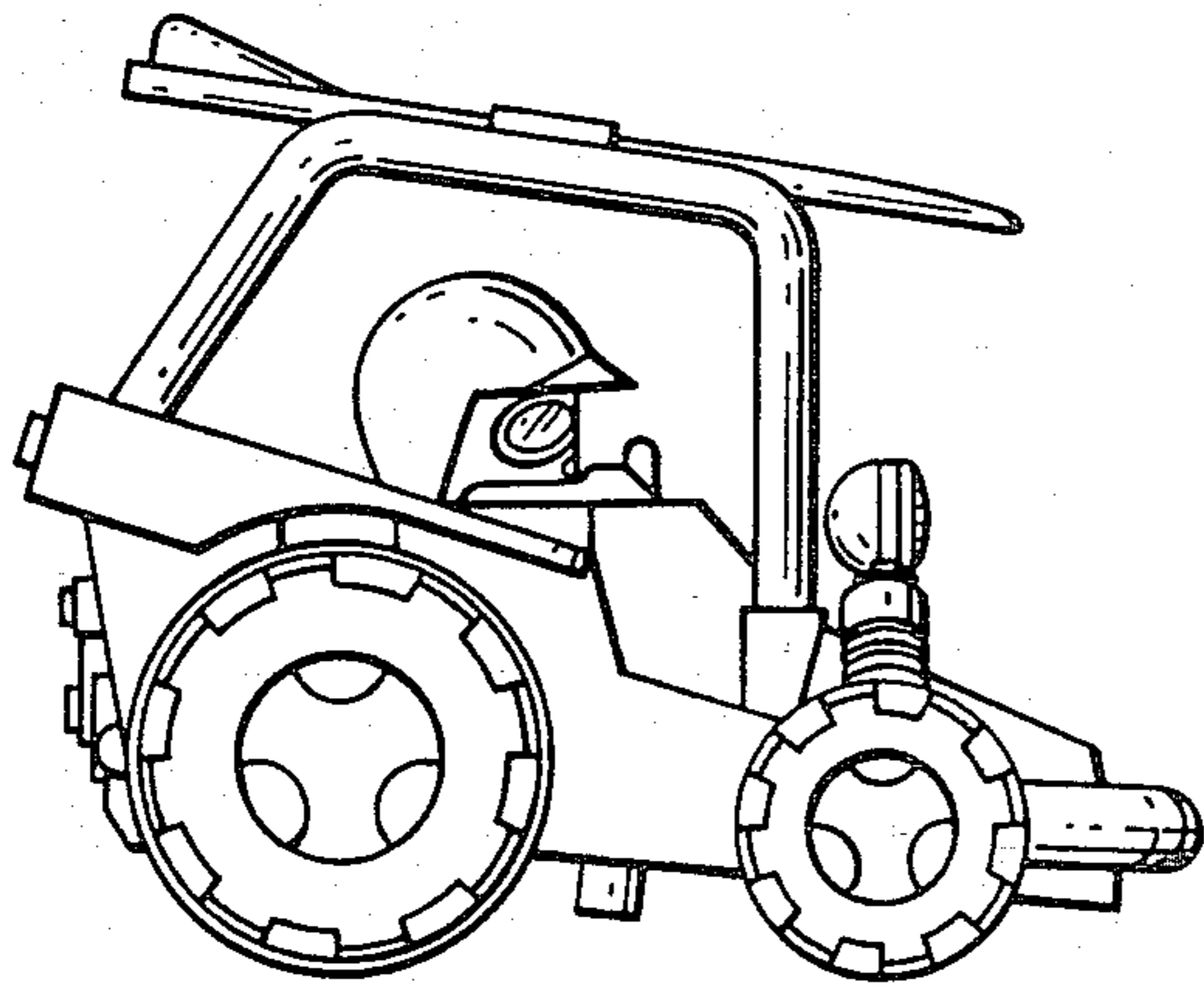
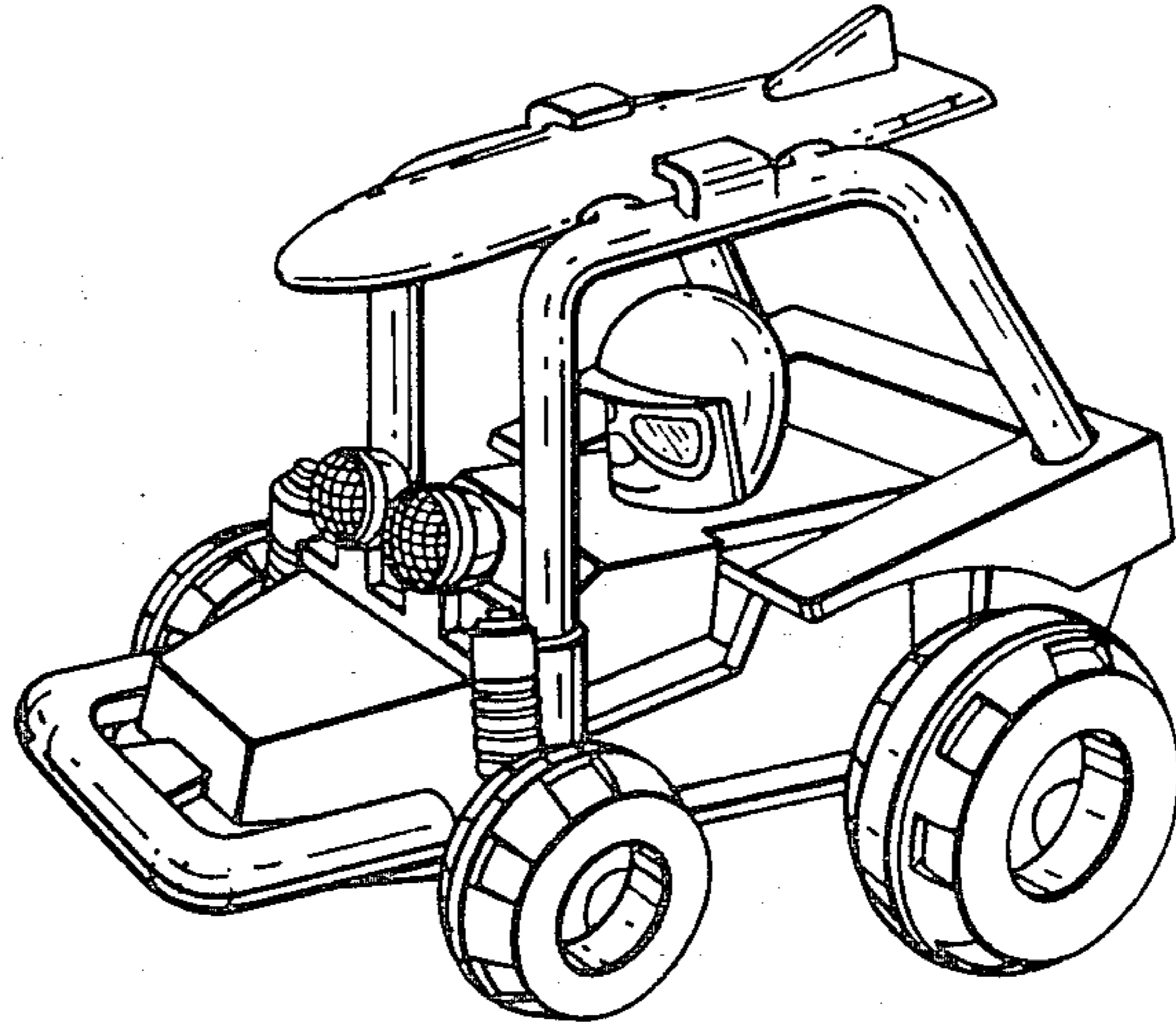
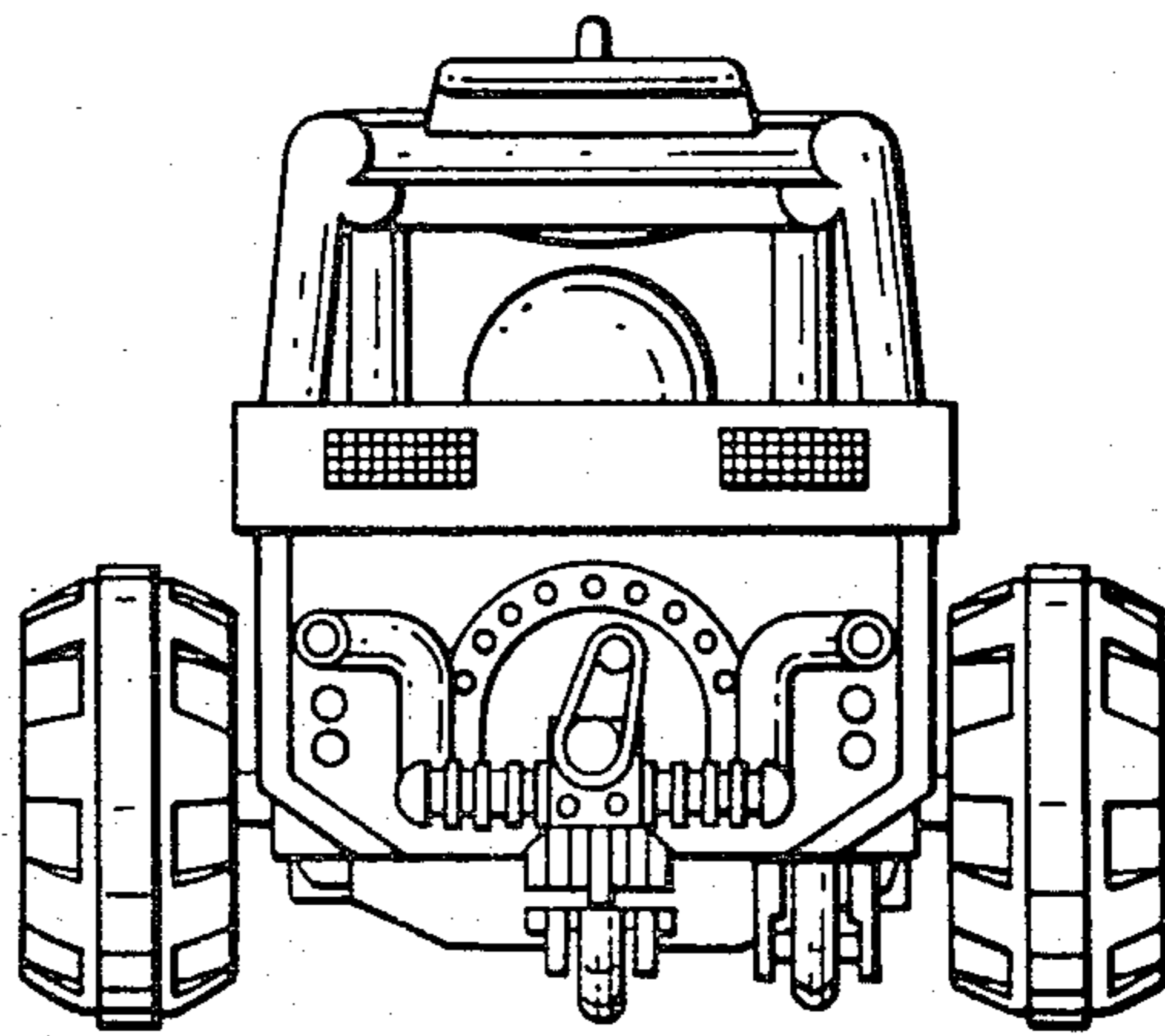


FIG. 2.

FIG. 3.



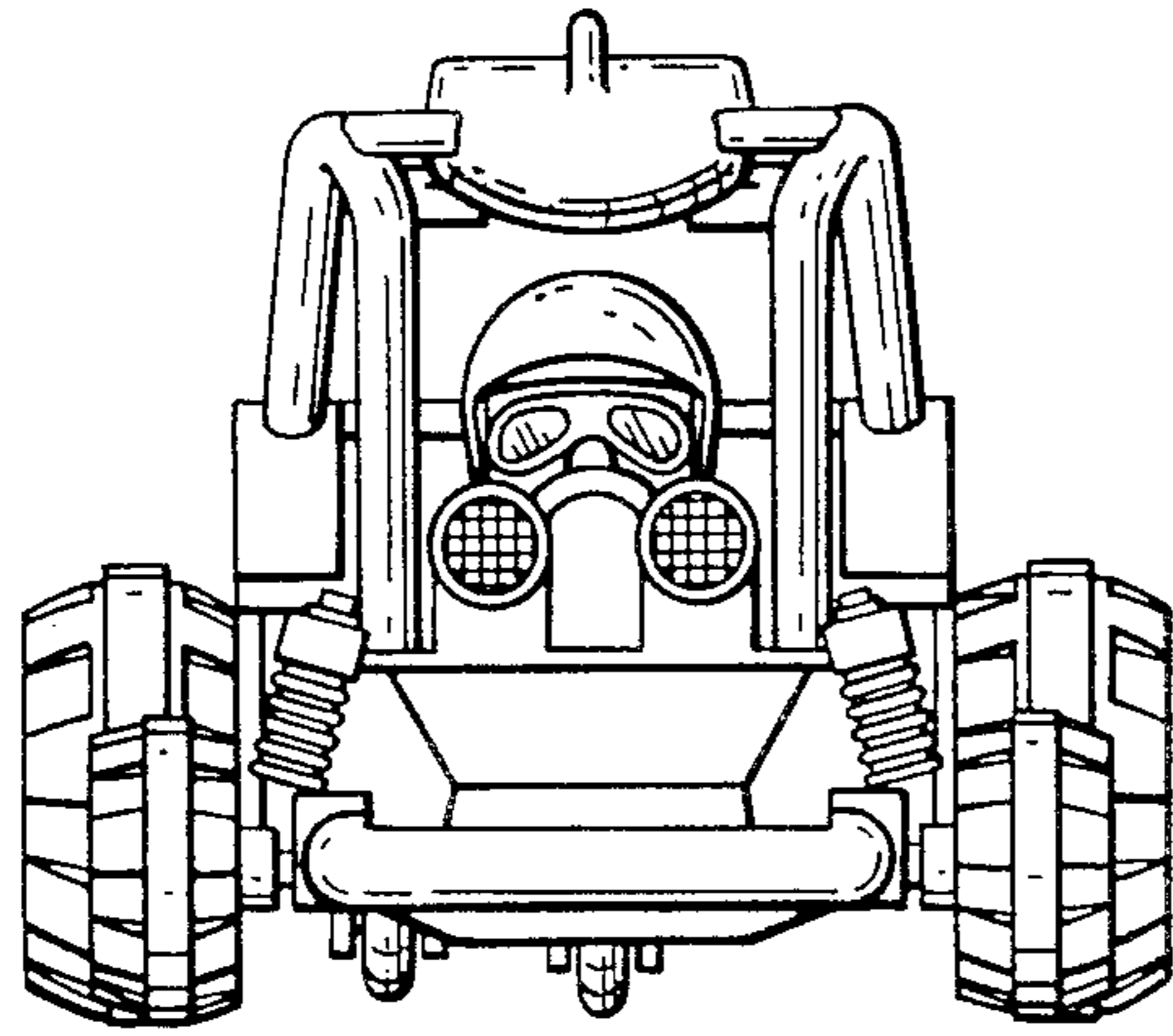


FIG. 4.

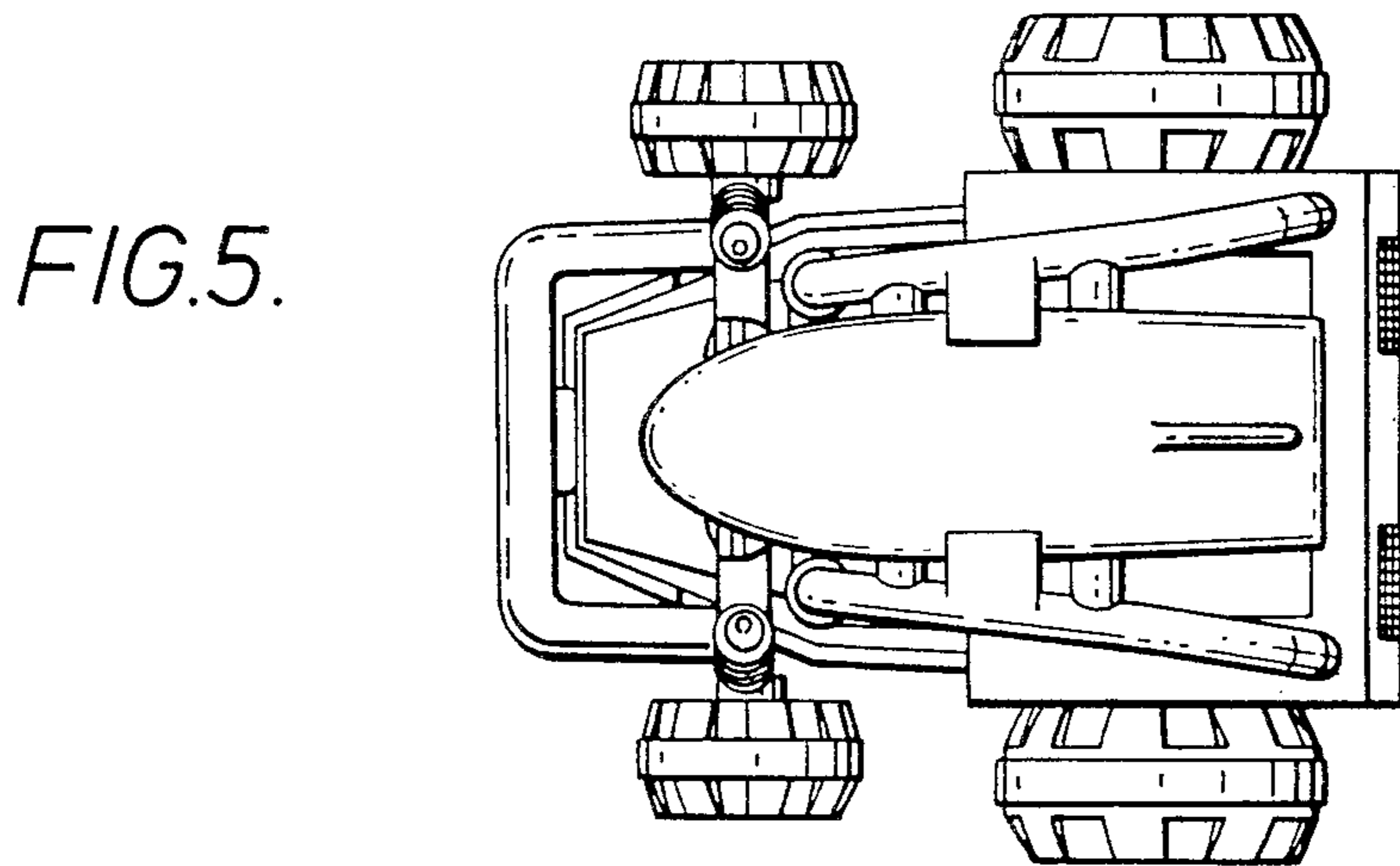


FIG. 5.

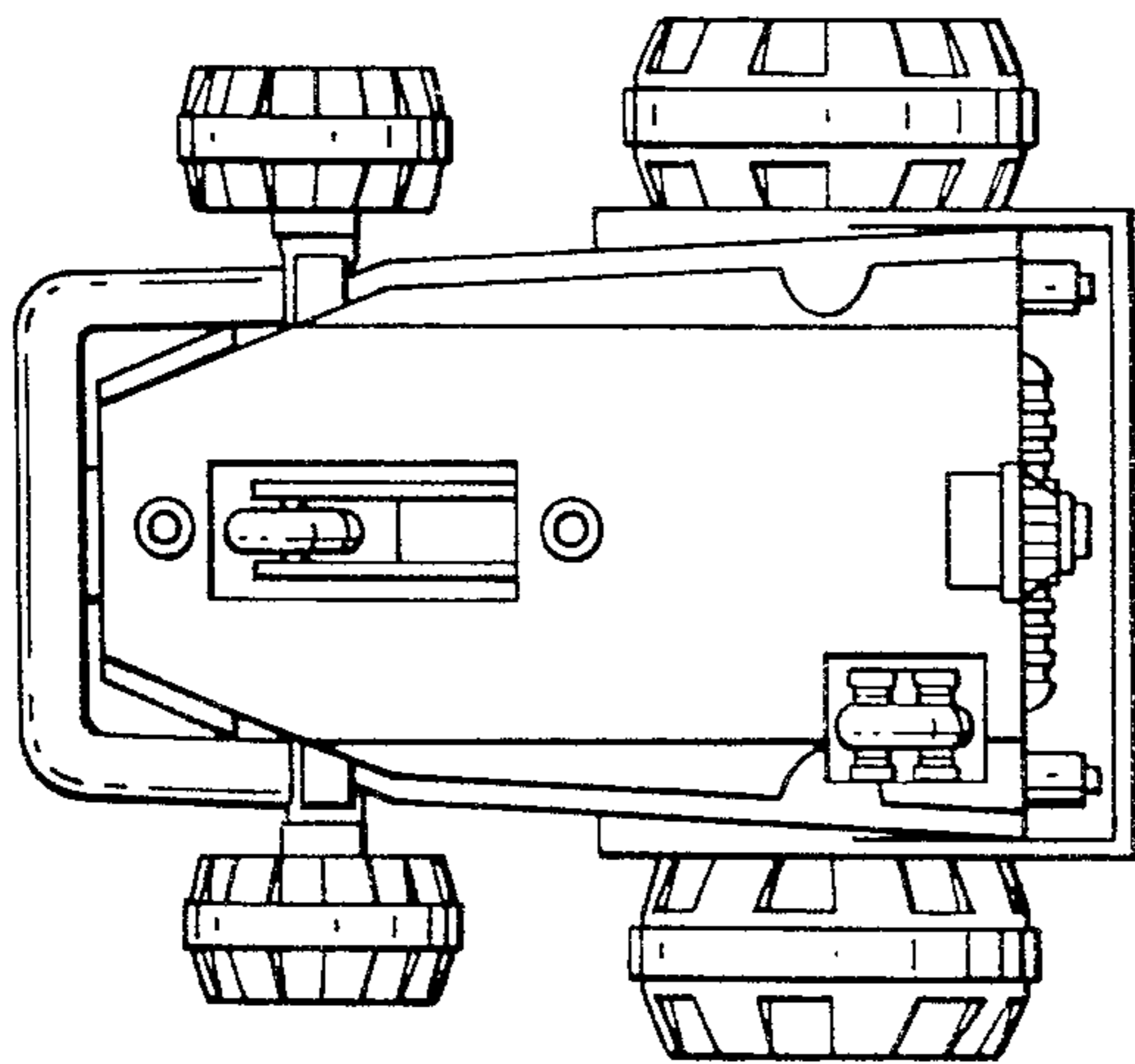


FIG. 6.