

[54] ROTATABLE DISPLAY ELEMENT FOR CHANGEABLE MESSAGE SIGN

[76] Inventor: Stig B. Ahlgren, Kopparberbgatan 23, Malmo, Sweden, 20120

[**] Term: 14 Years

[21] Appl. No.: 515,160

[22] Filed: Jul. 19, 1983

[30] Foreign Application Priority Data

Jan. 27, 1983 [SE] Sweden 83-0223
[52] U.S. Cl. D20/21
[58] Field of Search D20/10, 12, 21; 40/503-507, 611, 584

[56] References Cited

U.S. PATENT DOCUMENTS

Table with 4 columns: Patent No., Date, Inventor, and Class No. (e.g., 3,199,239 8/1965 Reed 40/505)

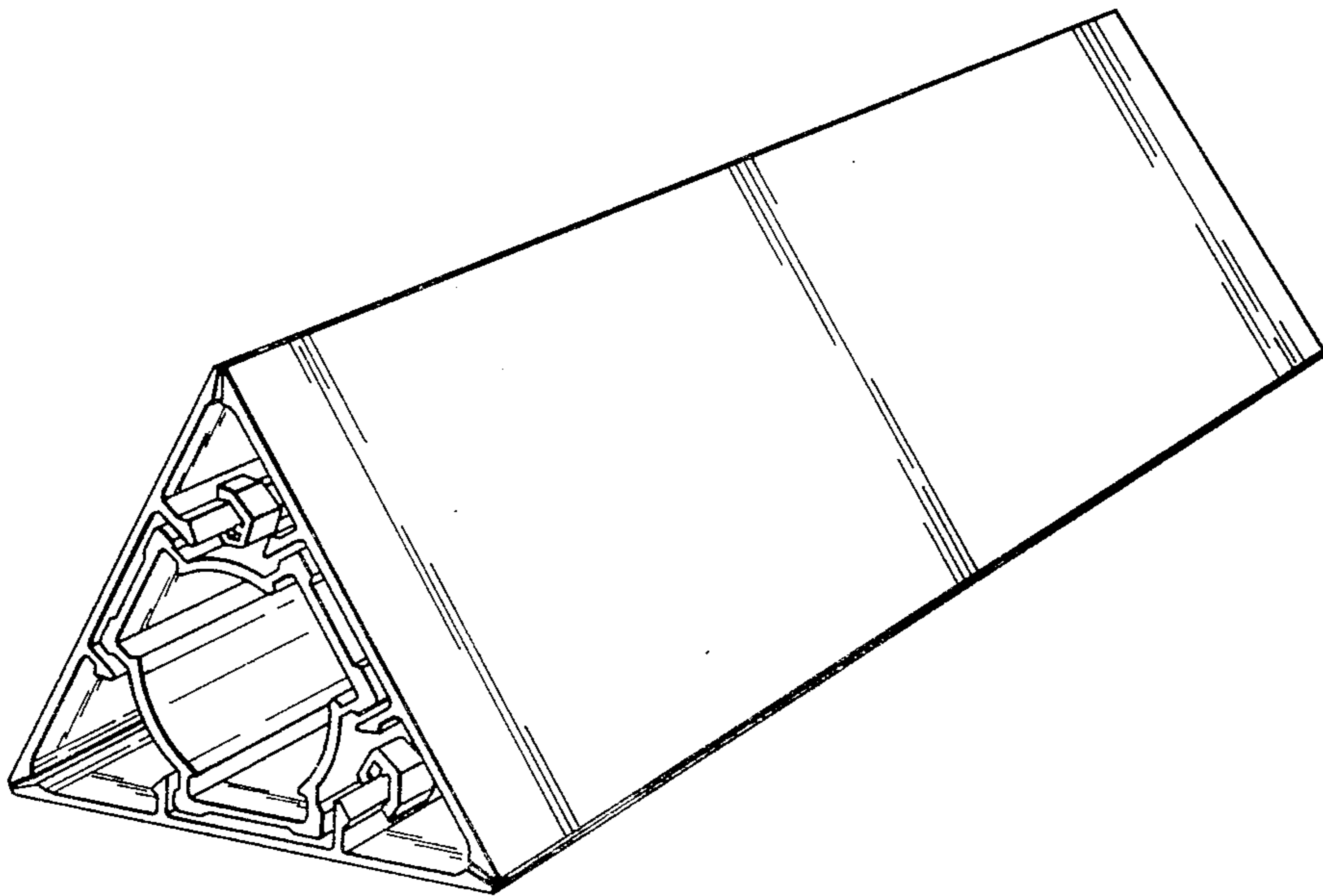
Primary Examiner—Catherine E. Kemper

[57] CLAIM

The ornamental design for a rotatable display element for changeable message sign, as shown and described.

DESCRIPTION

FIG. 1 is a perspective view of a rotatable display element for changeable message sign, showing my new design;
FIG. 2 is an end elevational view thereof;
FIG. 3 is a top plan view thereof;
FIG. 4 is a side elevational view thereof;
FIG. 5 is a bottom plan view thereof;
FIG. 6 is a perspective view of one side panel of the rotatable display element;
FIG. 7 is an end elevational view thereof;
FIG. 8 is a bottom plan view thereof;
FIG. 9 is a side elevational view thereof;
FIG. 10 is a top plan view thereof;
FIG. 11 is a perspective view of the interior core element of the rotatable display element;
FIG. 12 is an end elevational view thereof;
FIG. 13 is a top plan view thereof;
FIG. 14 is a side elevational view thereof;
FIG. 15 is a bottom plan view thereof;
FIG. 16 is a perspective view of the side panel carrier element;
FIG. 17 is a bottom plan view thereof;
FIG. 18 is an end elevational view thereof;
FIG. 19 is a side elevational view thereof;
FIG. 20 is a top plan view thereof.



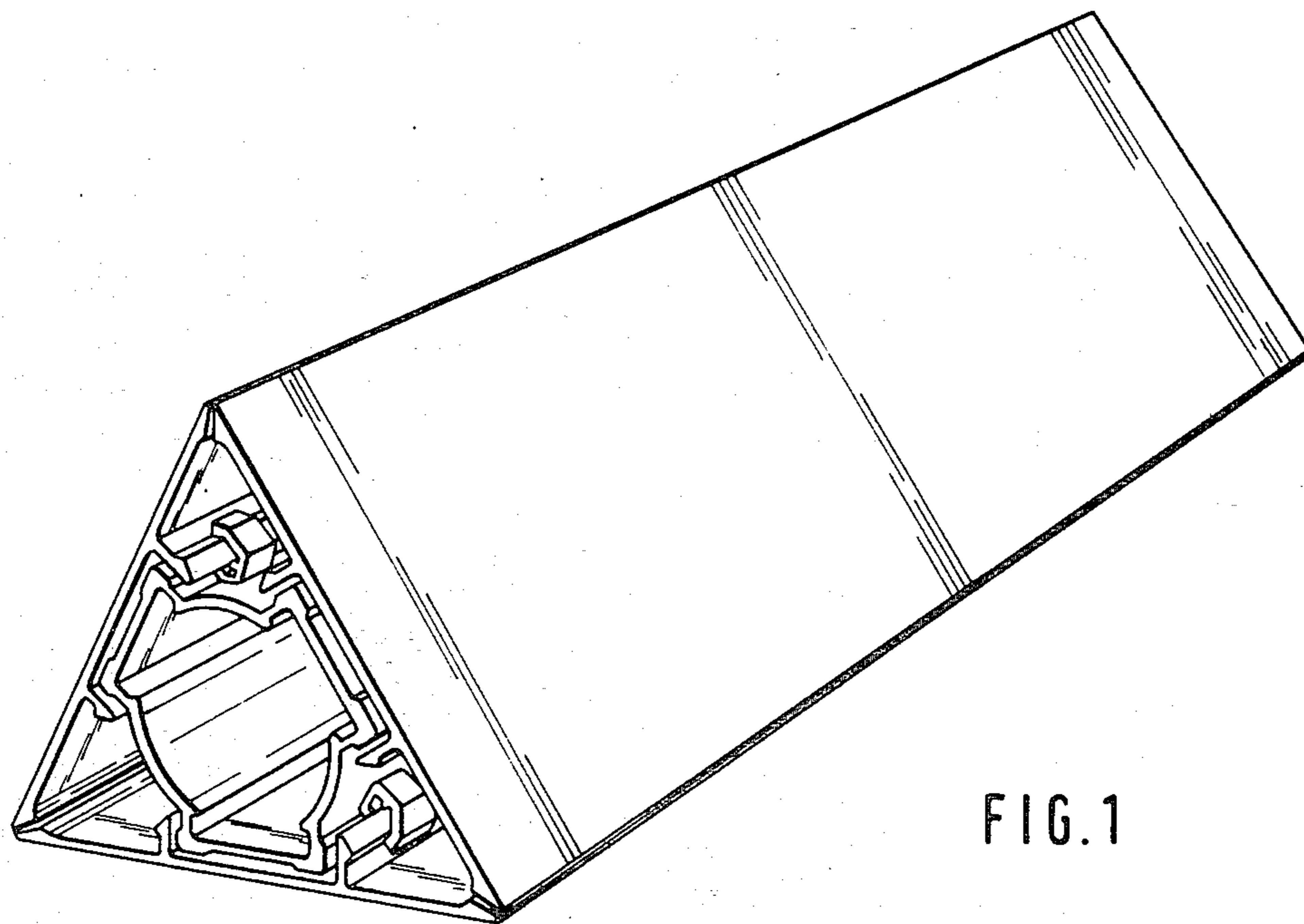


FIG. 1

FIG. 2

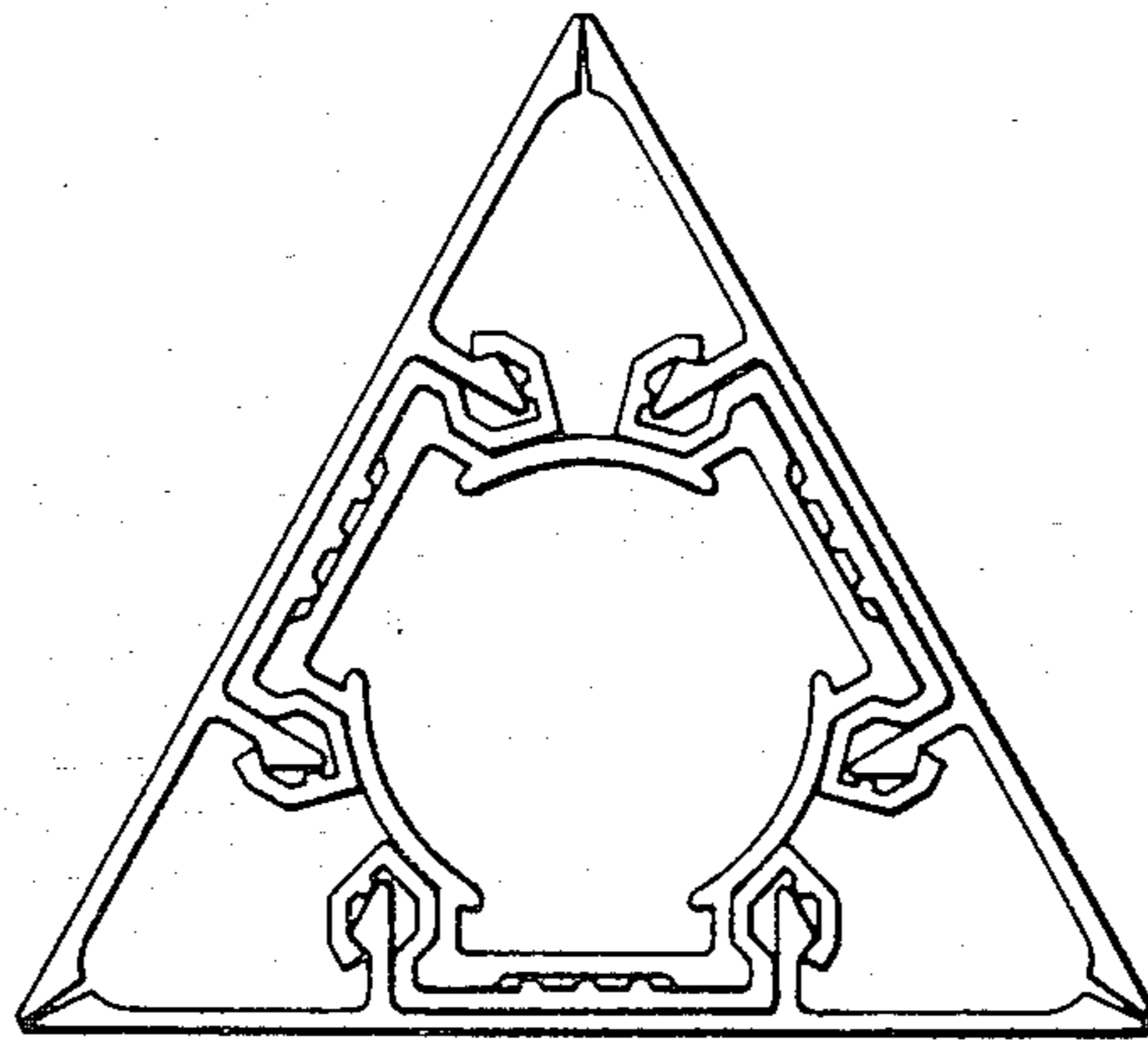


FIG. 3

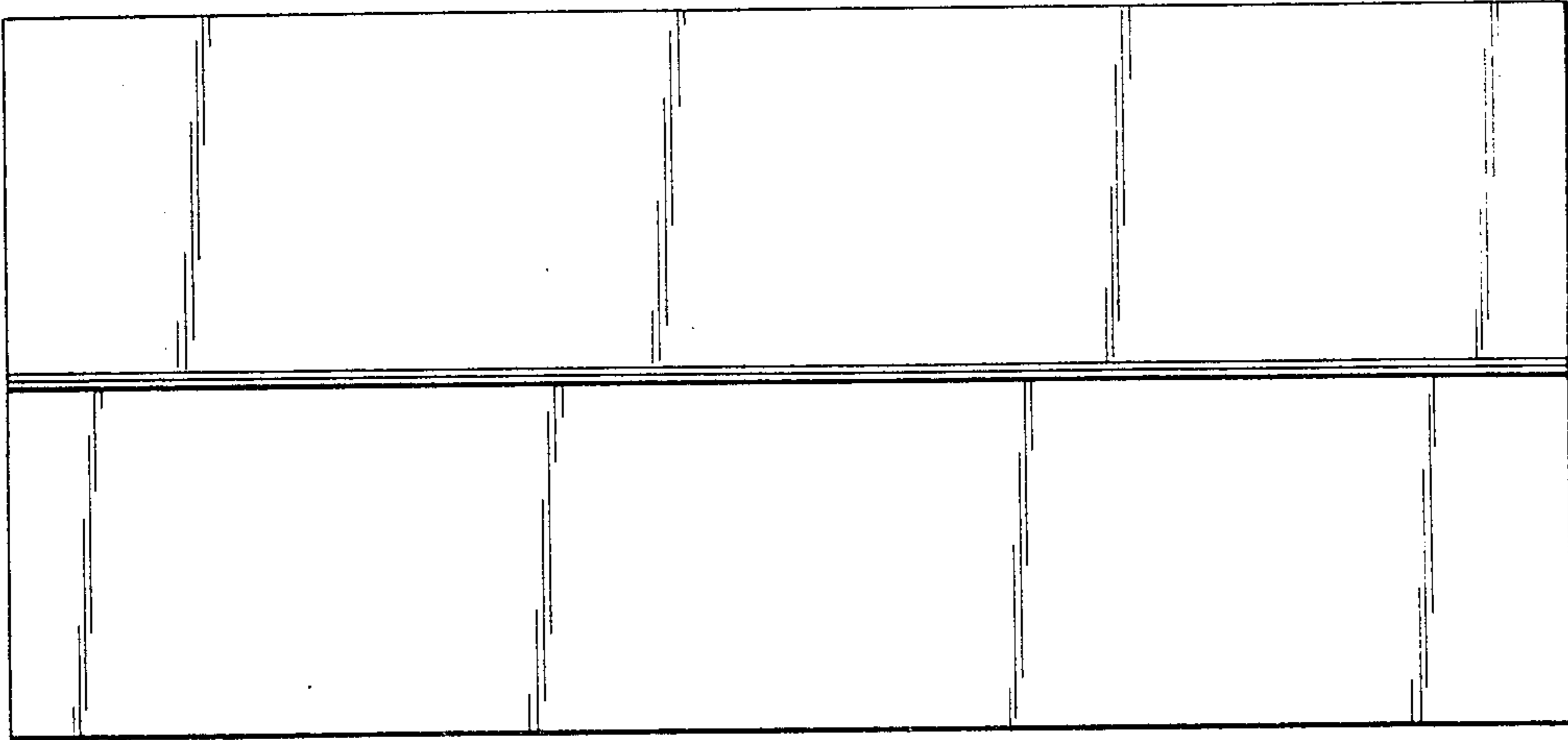


FIG. 4

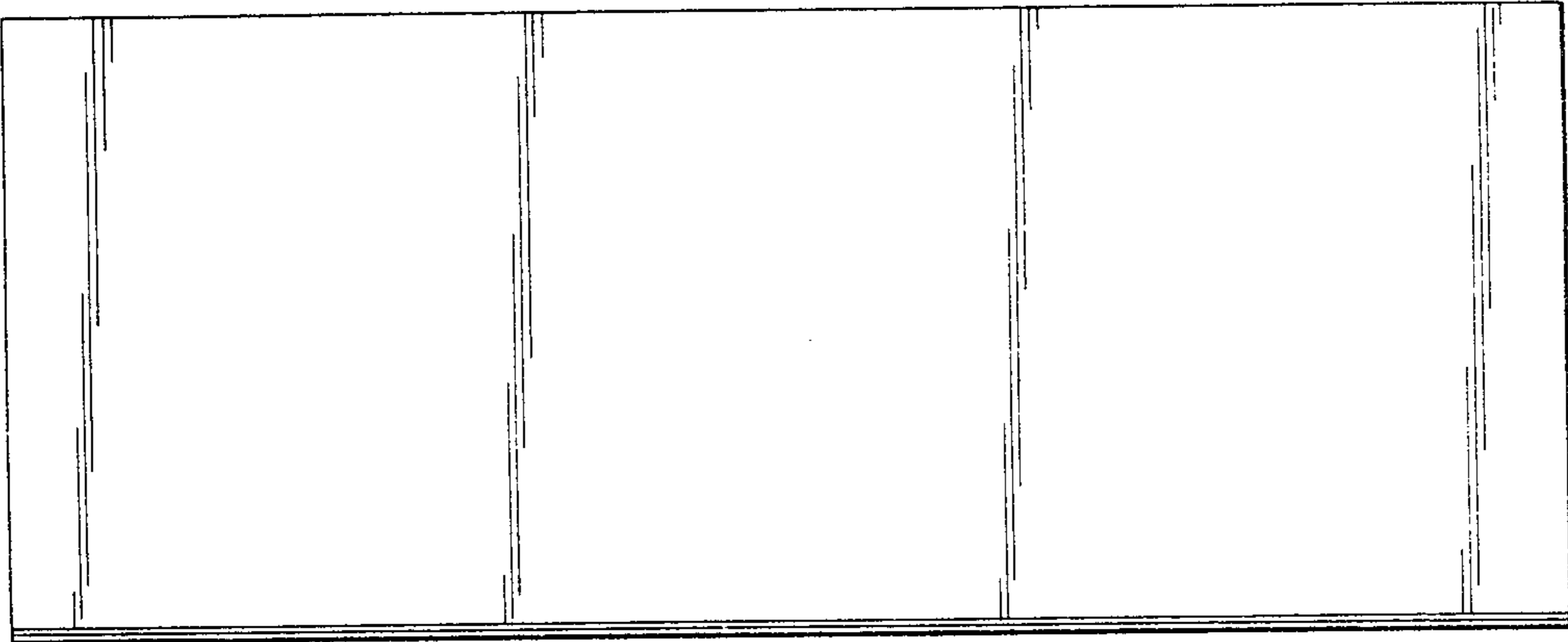


FIG. 5

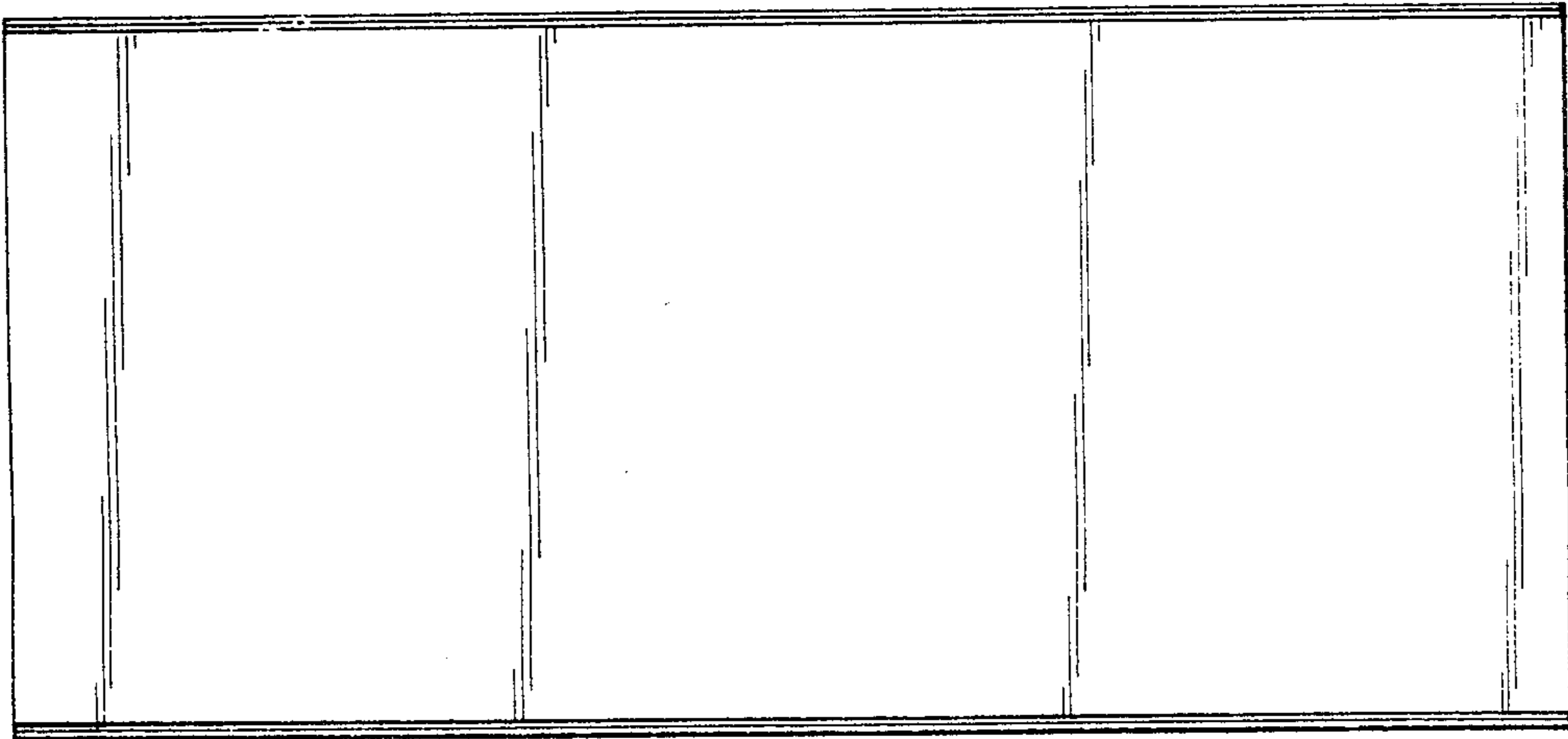


FIG. 6

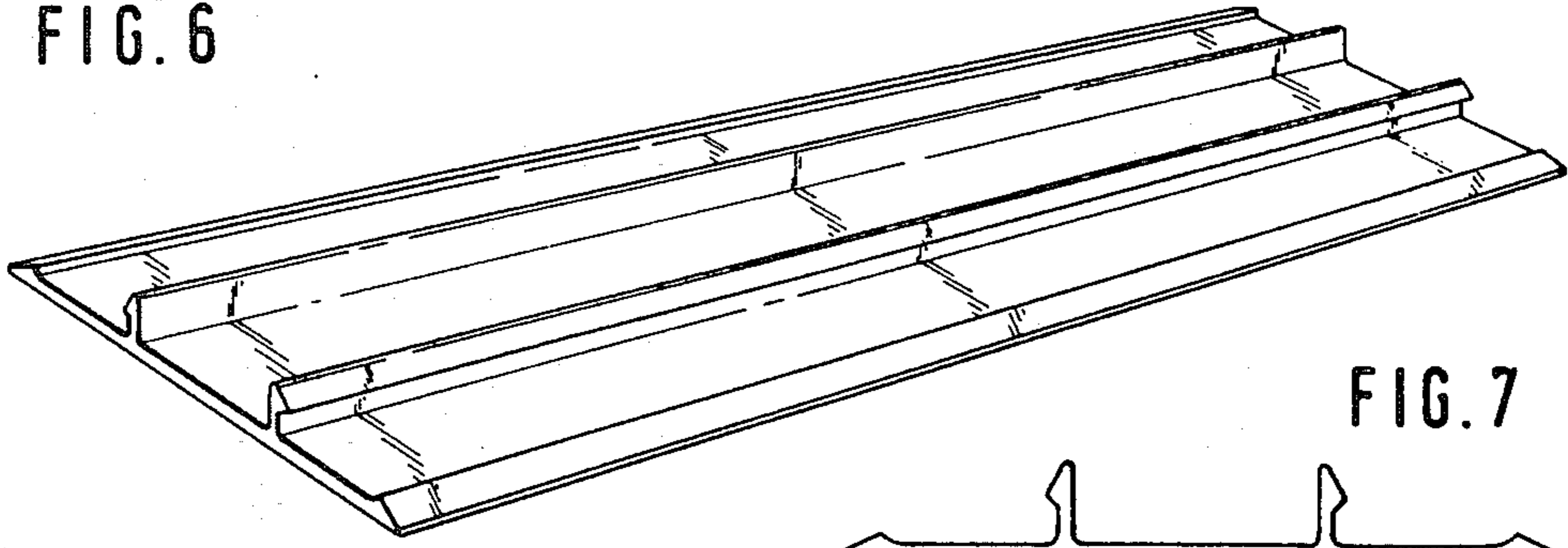


FIG. 7

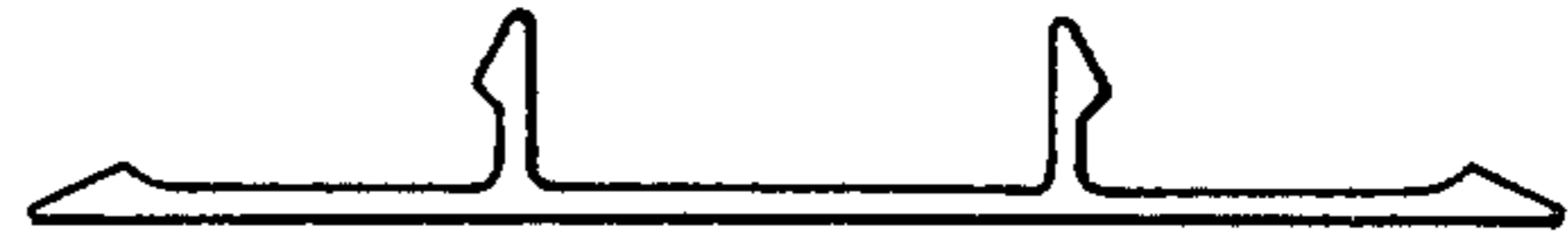


FIG. 8

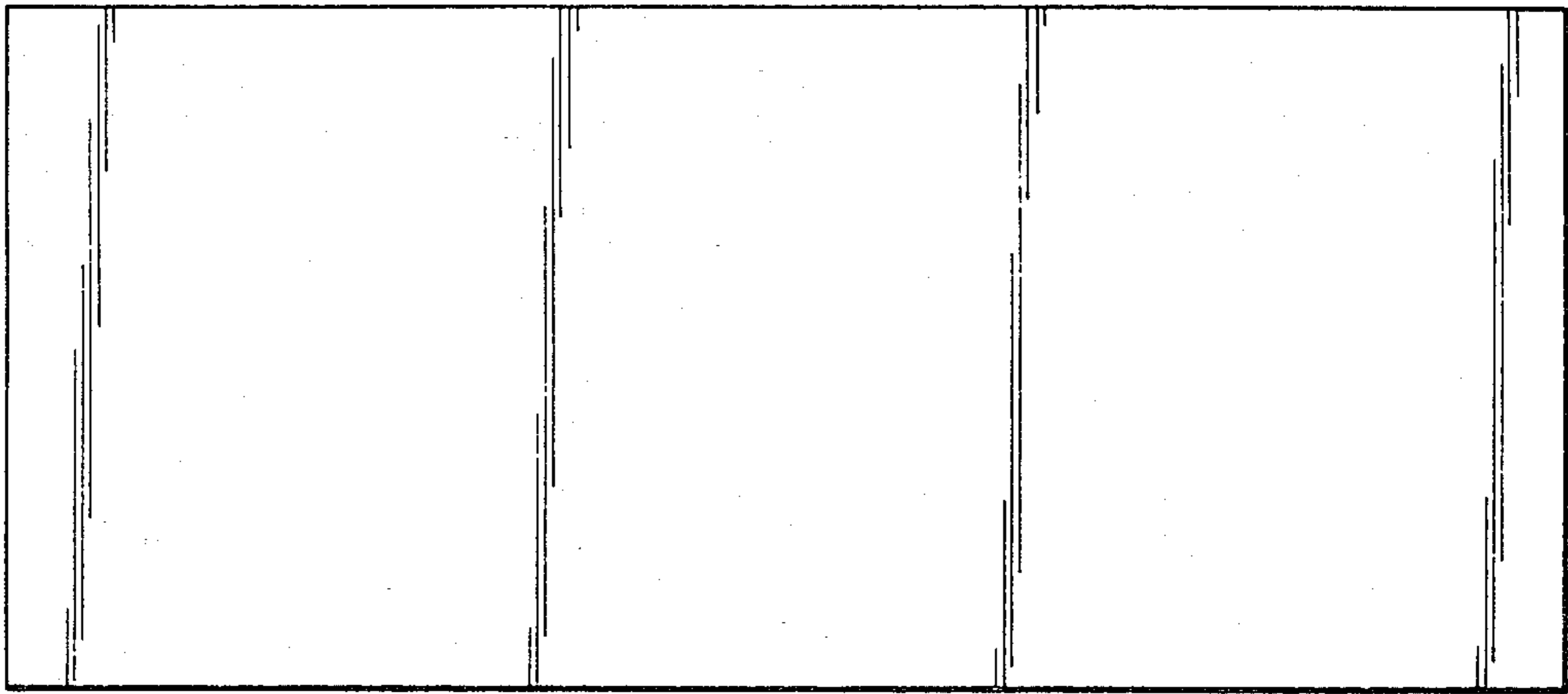


FIG. 9

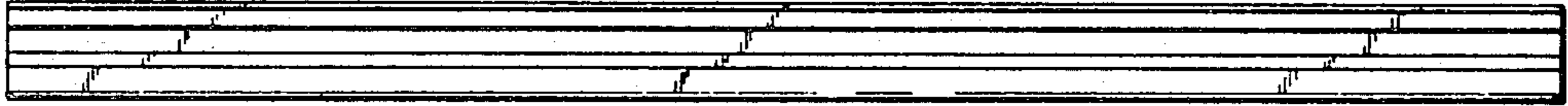


FIG. 10

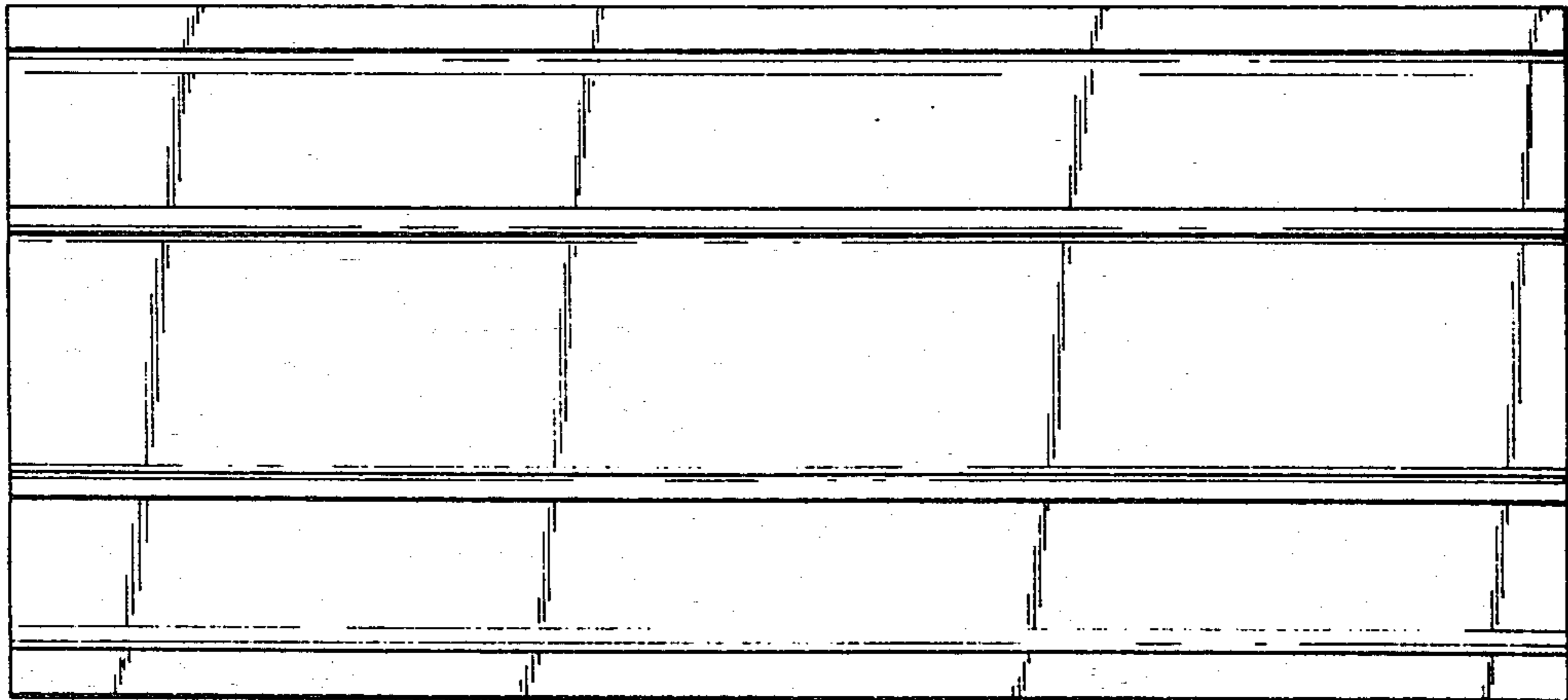


FIG. 11

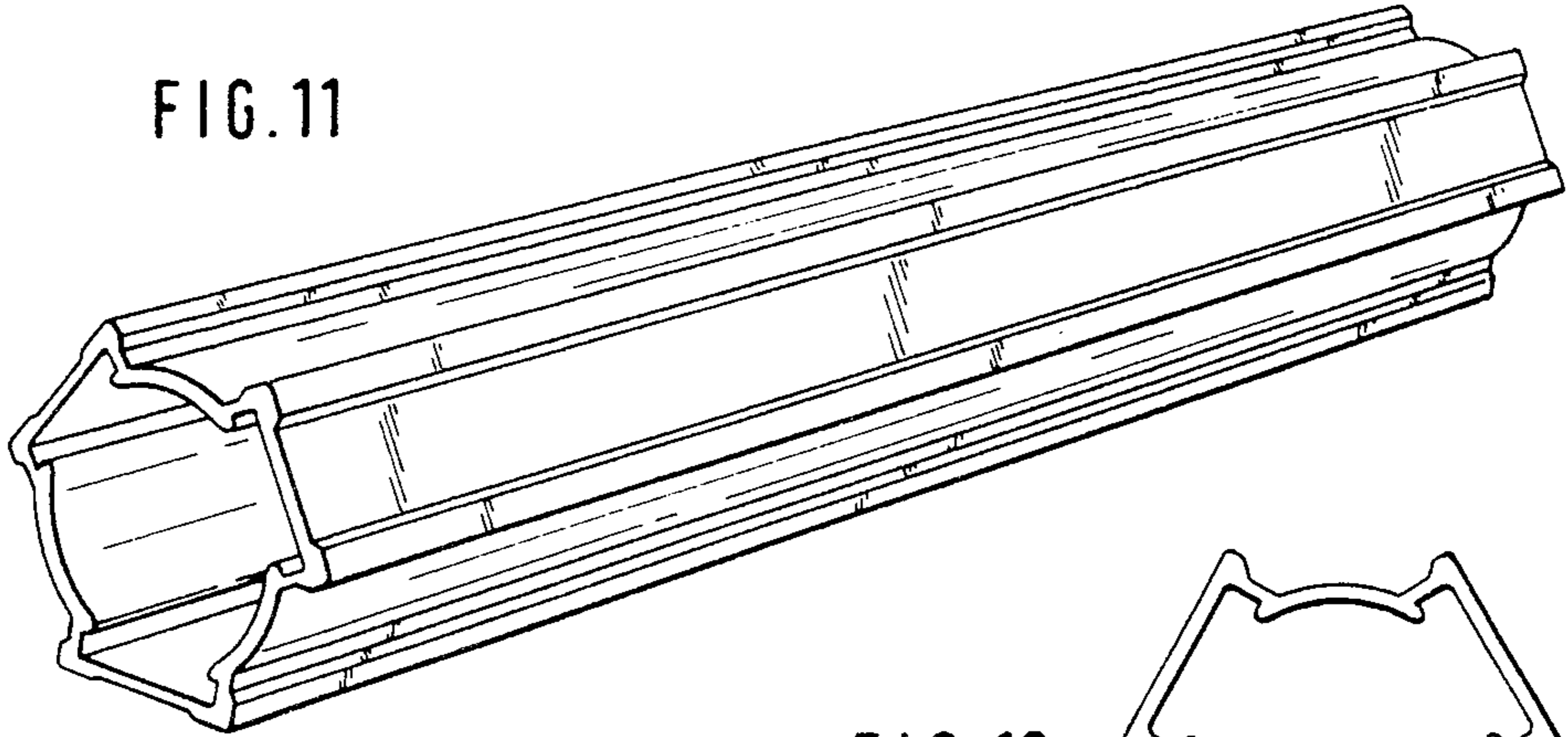


FIG. 12

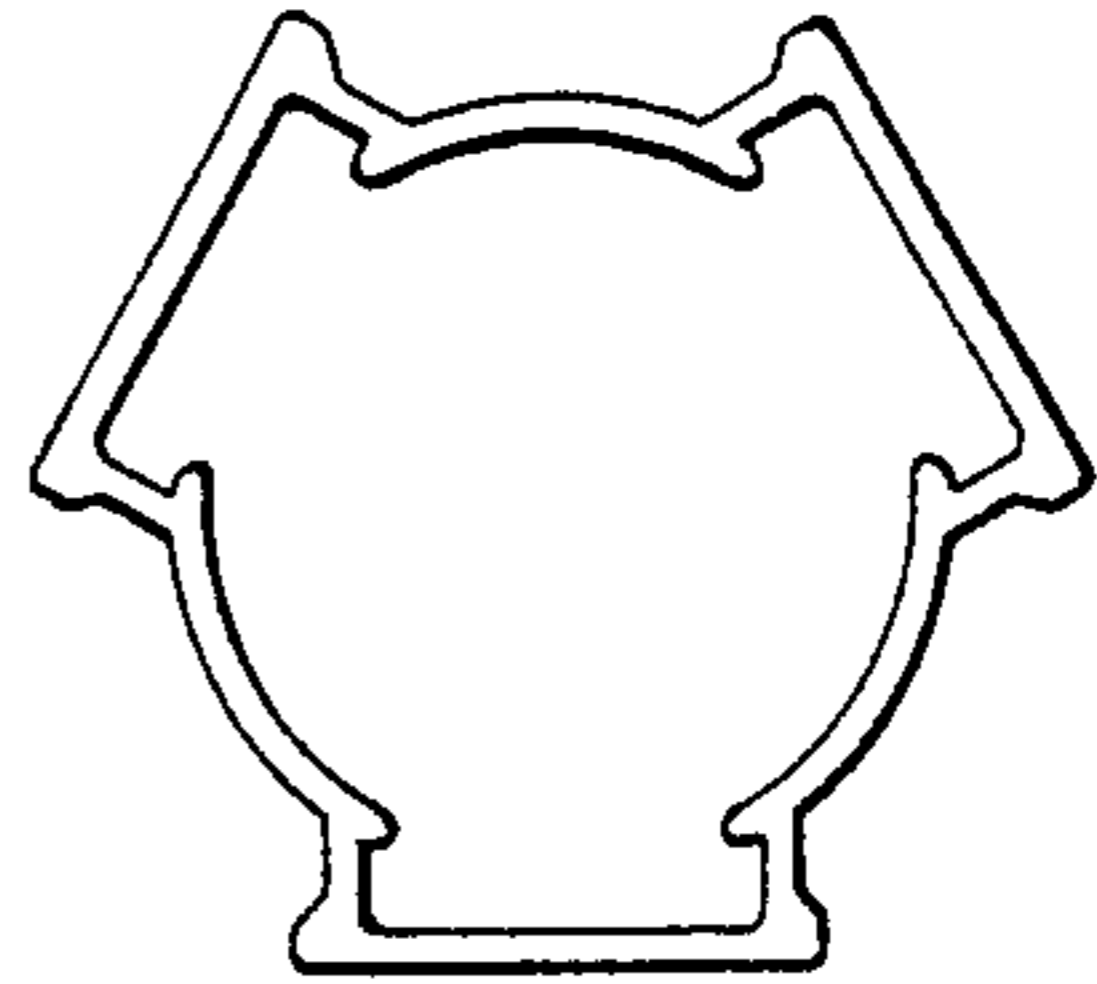


FIG. 13

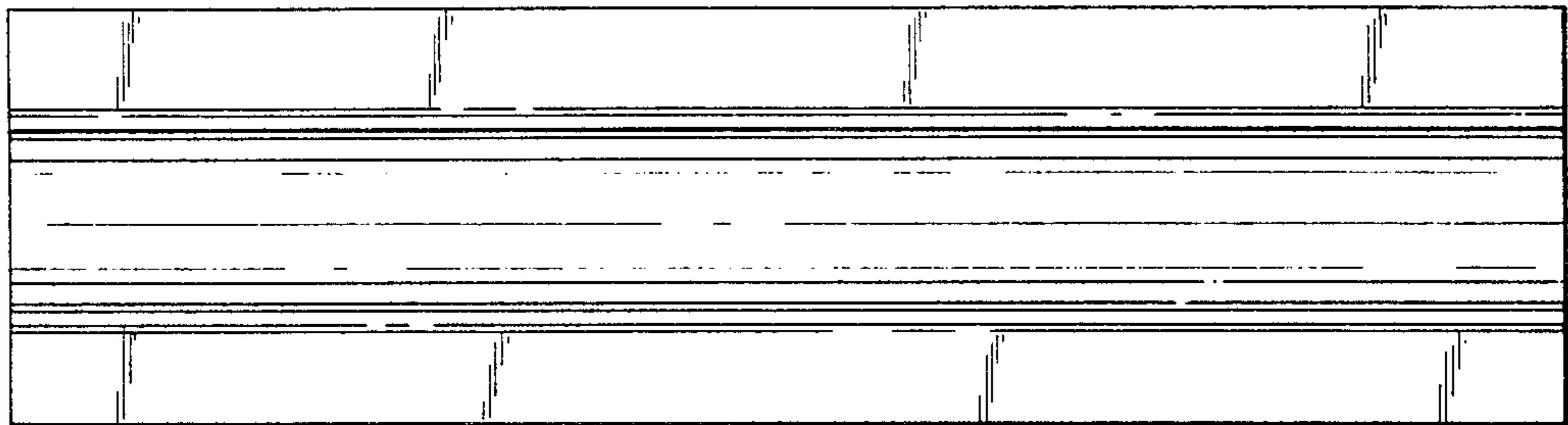


FIG. 14

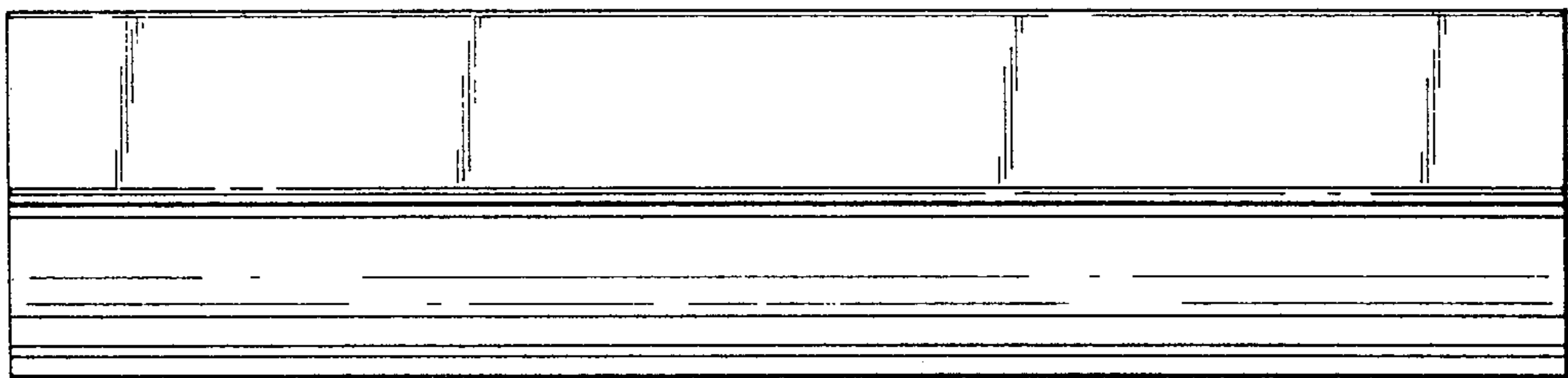
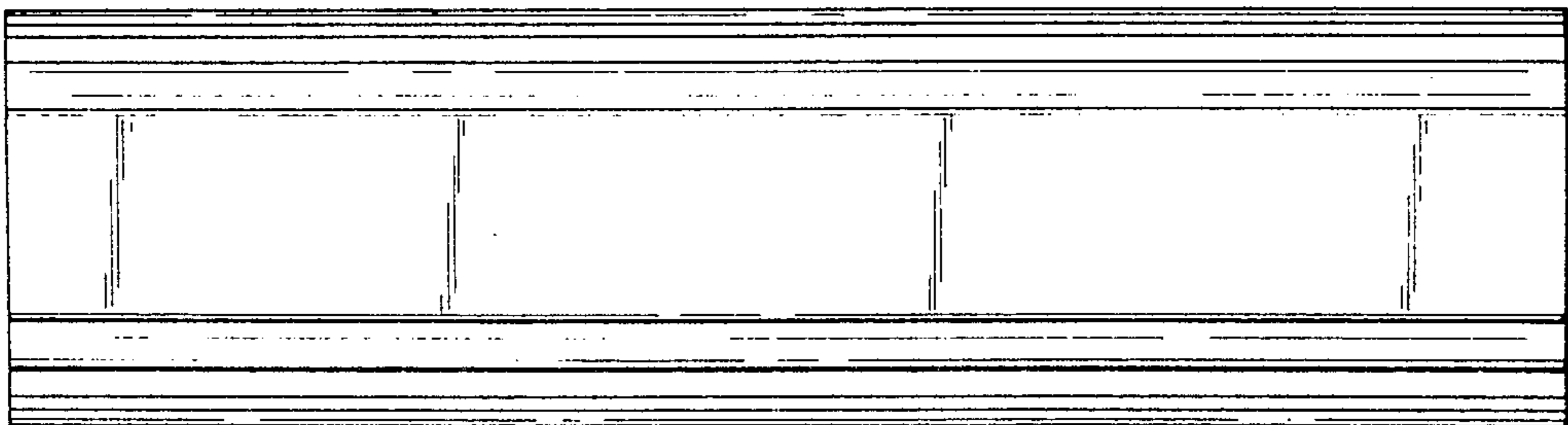


FIG. 15



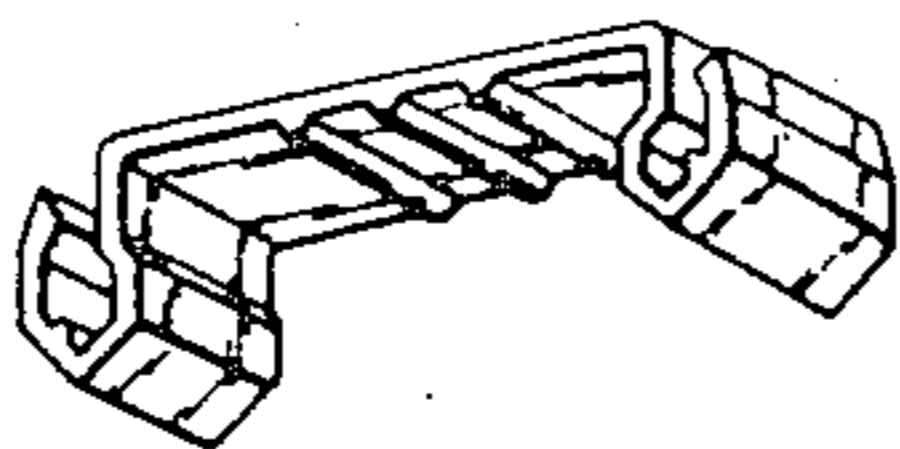


FIG. 16

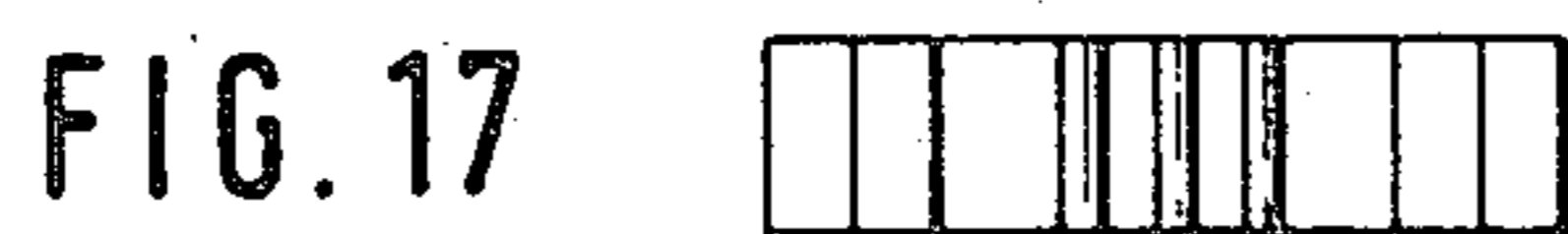


FIG. 19

