

[54] **INK RIBBON CARTRIDGE FOR ELECTRONIC TYPEWRITER**

[75] Inventor: **Masahiro Kando**, Tokyo, Japan

[73] Assignee: **Canon Kabushiki Kaisha**, Tokyo, Japan

[\*\*] Term: **14 Years**

[21] Appl. No.: **555,508**

[22] Filed: **Nov. 28, 1983**

[30] **Foreign Application Priority Data**

Jun. 1, 1983 [JP] Japan ..... 58-23457

[52] **U.S. Cl.** ..... **D18/12**

[58] **Field of Search** ..... D18/12, 13, 22, 99;  
D14/11; 400/196, 196.1, 207, 208, 208.1;  
242/55.19 A, 197, 199, 200

[56] **References Cited**

**U.S. PATENT DOCUMENTS**

D. 246,332 11/1977 Bellini ..... D18/12

**OTHER PUBLICATIONS**

*Office Products Dealer*, 2/1980, p. 95—Ribbons at top center, center & center right.

*Primary Examiner*—Louis S. Zarfes  
*Attorney, Agent, or Firm*—Fitzpatrick, Cella, Harper & Scinto

[57] **CLAIM**

The ornamental design for an ink ribbon cartridge for electronic typewriter, as shown and described.

**DESCRIPTION**

FIG. 1 is a front elevational view of an ink ribbon cartridge for electronic typewriter showing my new design;

FIG. 2 is a rear elevational view thereof;

FIG. 3 is a top plan view thereof;

FIG. 4 is a bottom plan view thereof;

FIG. 5 is a side elevational view as seen from the left of FIG. 1;

FIG. 6 is a side elevational view as seen from the right of FIG. 1 and

FIG. 7 is a perspective view of the ink ribbon cartridge for electronic typewriter.

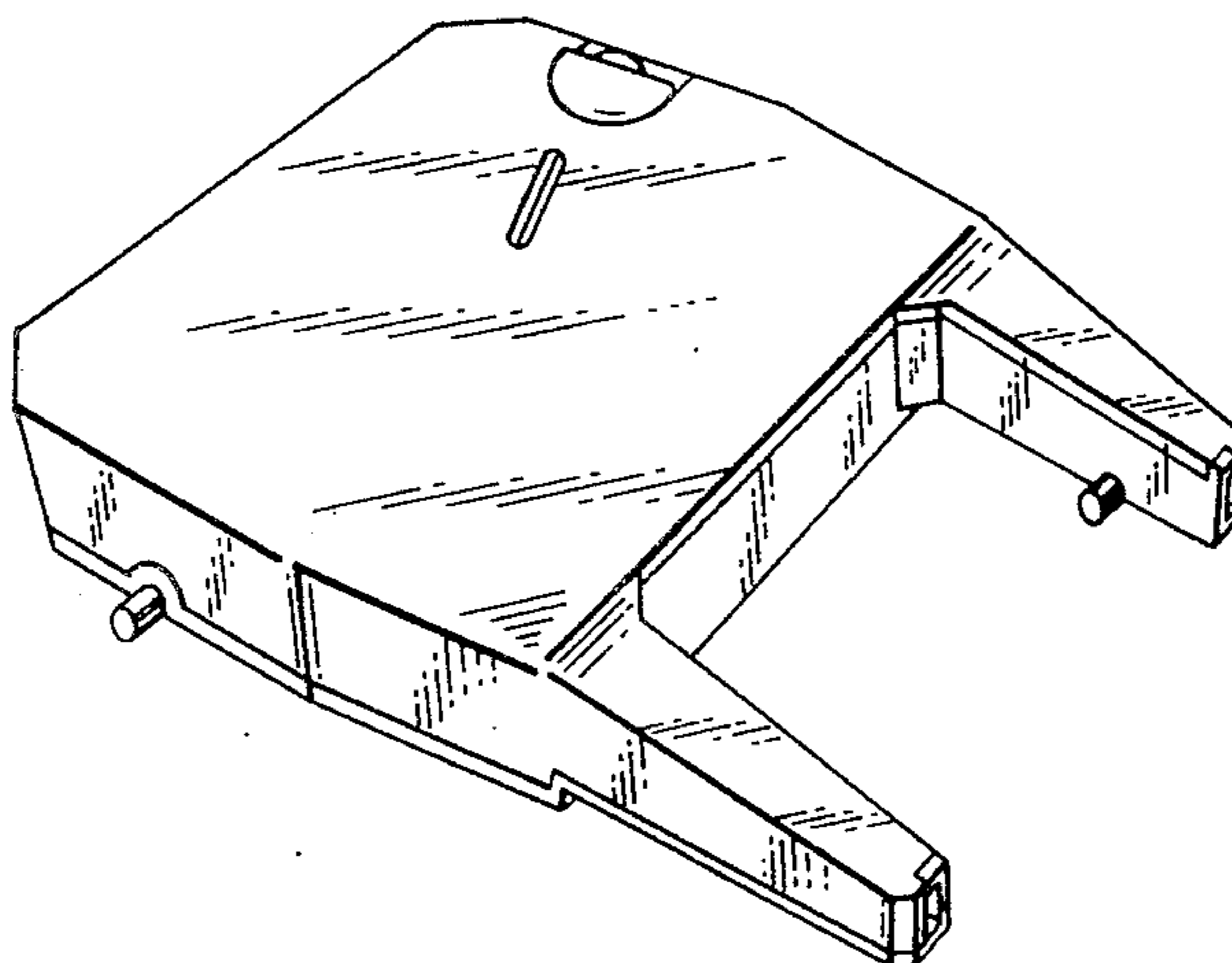


FIG. 1

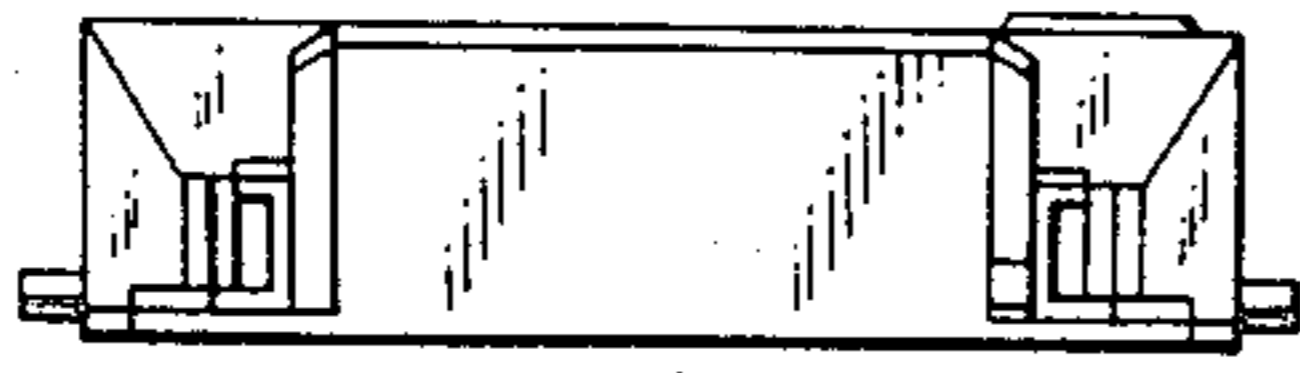


FIG. 2

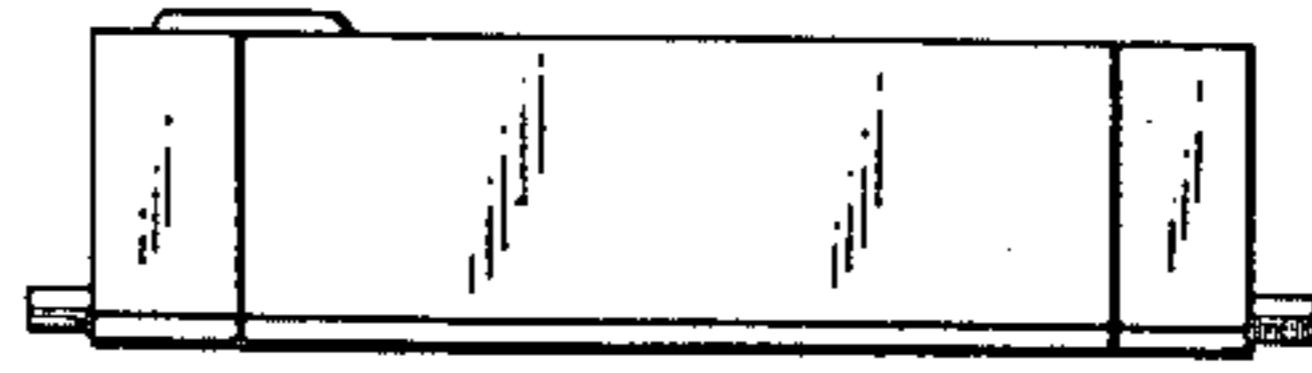


FIG. 3

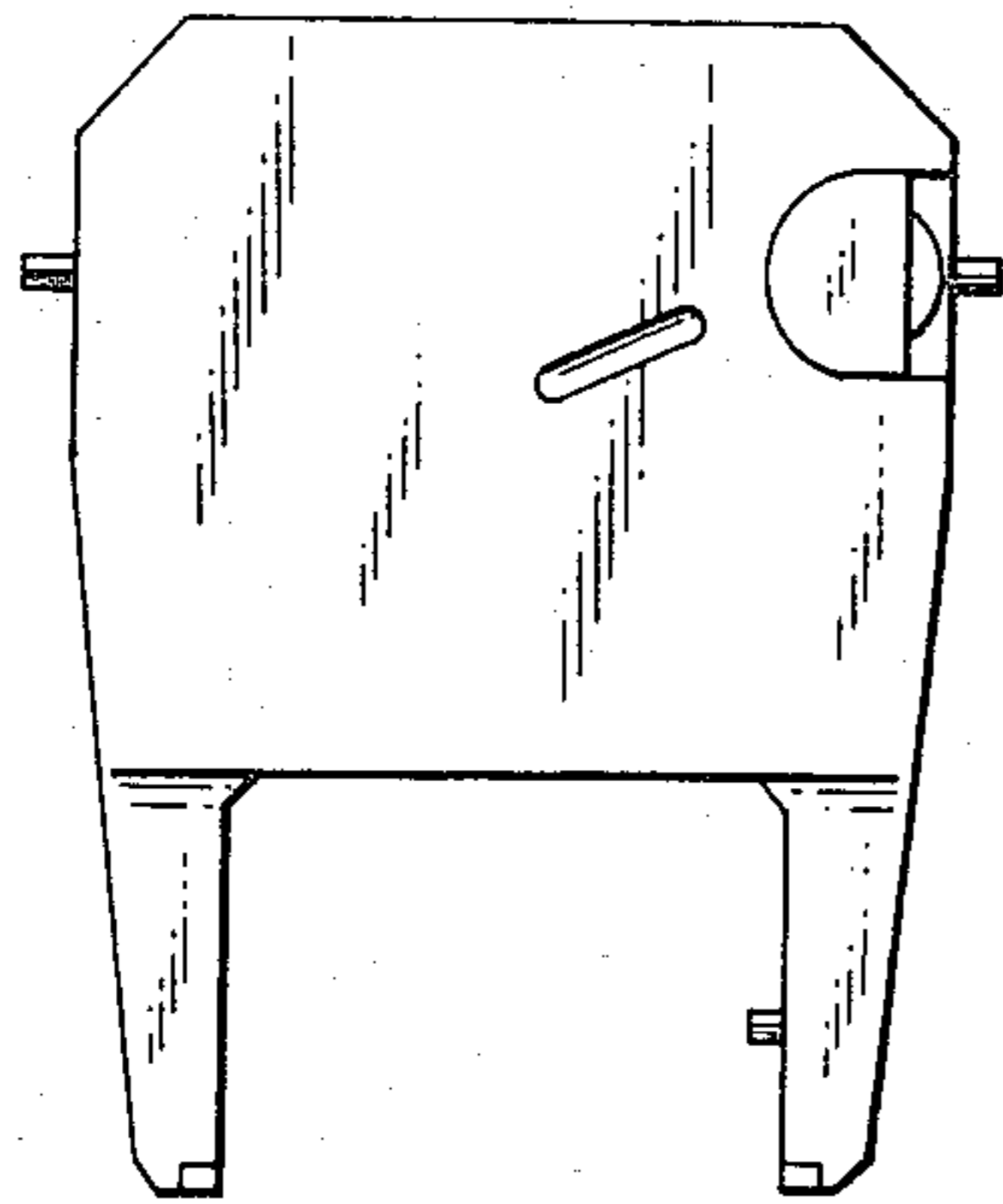


FIG. 4

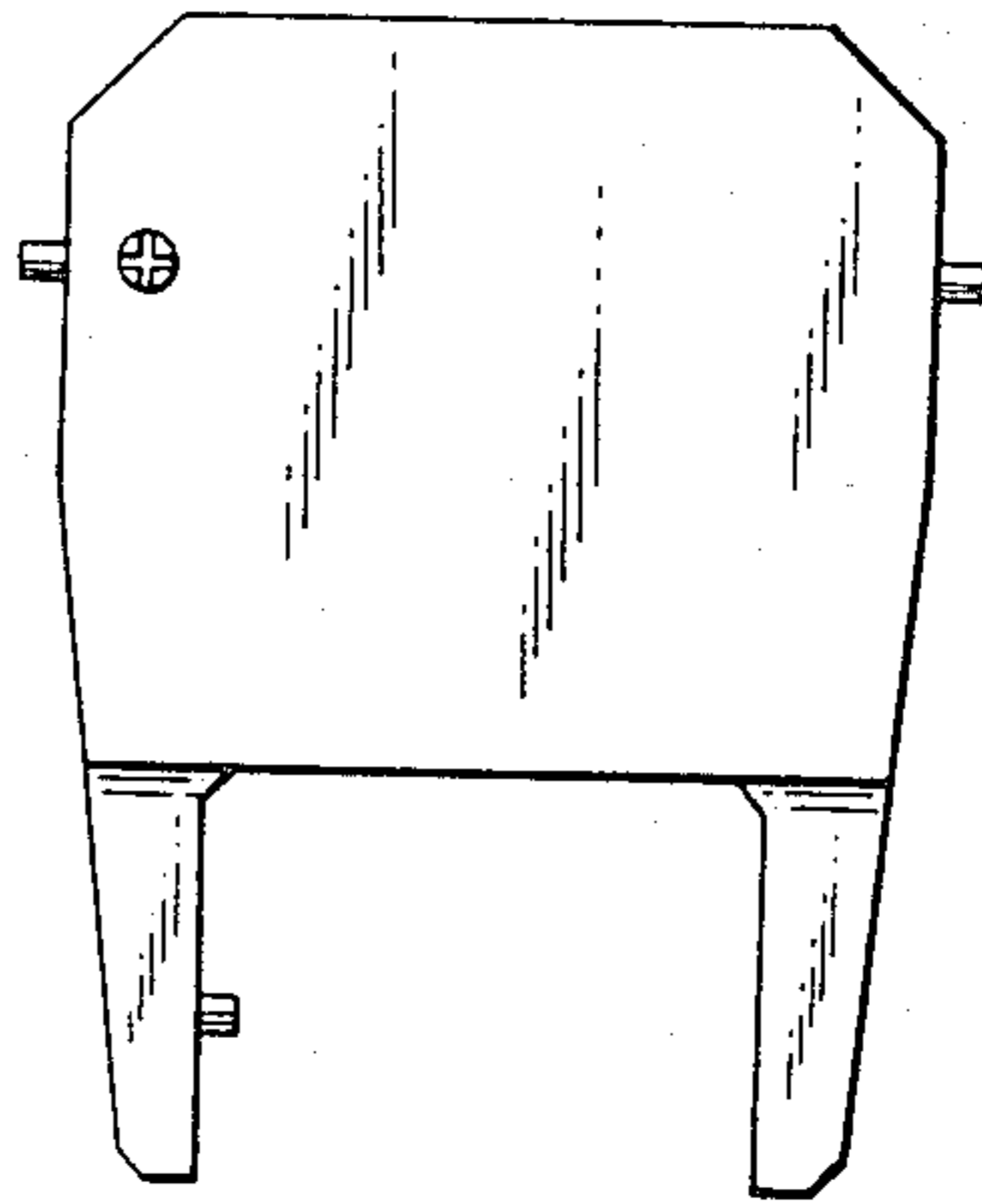


FIG. 5

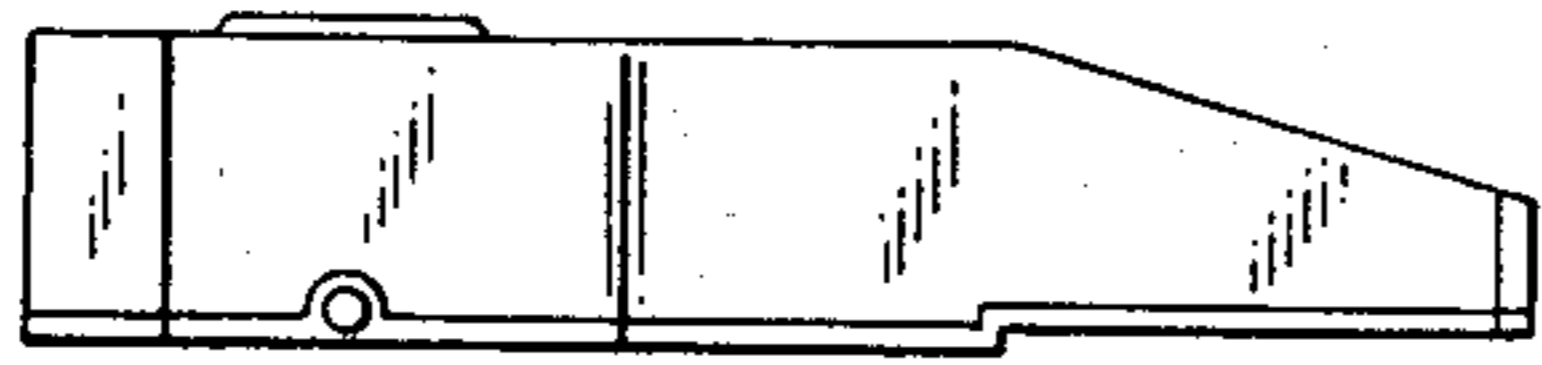


FIG. 6



FIG. 7

