

[54] TRANSPARENT NOVELTY GLASSES WITH PHOTOGRAPHIC INSERT

[76] Inventor: Benjamin T. Harrell, 200 Townview Terrace Dr., Apt. 1252, Knoxville, Tenn. 37915

[\*\*] Term: 14 Years

[21] Appl. No.: 433,789

[22] Filed: Oct. 12, 1982

[52] U.S. Cl. .... D16/104

[58] Field of Search ..... D16/100-123, D16/125; D2/234; D11/54, 102; 351/41, 44, 45, 46, 47, 49, 57, 76, 77, 78, 80-95, 99-109

[56] References Cited

U.S. PATENT DOCUMENTS

D. 203,483	1/1966	Thomas	.....	D16/121	X
D. 218,572	9/1970	Simon	.....	D16/115	
2,598,107	5/1952	Brandvig	.....	351/41	X
3,555,563	1/1971	Grossman	.....	D16/123	X

FOREIGN PATENT DOCUMENTS

2373806 8/1978 France ..... 351/154

Primary Examiner—Susan J. Lucas  
Attorney, Agent, or Firm—Pitts and Brittan

[57] CLAIM

The ornamental design for transparent novelty glasses with photographic insert, as shown and described.

DESCRIPTION

FIG. 1 is a front elevational view of transparent novelty glasses with photographic insert showing my new design;

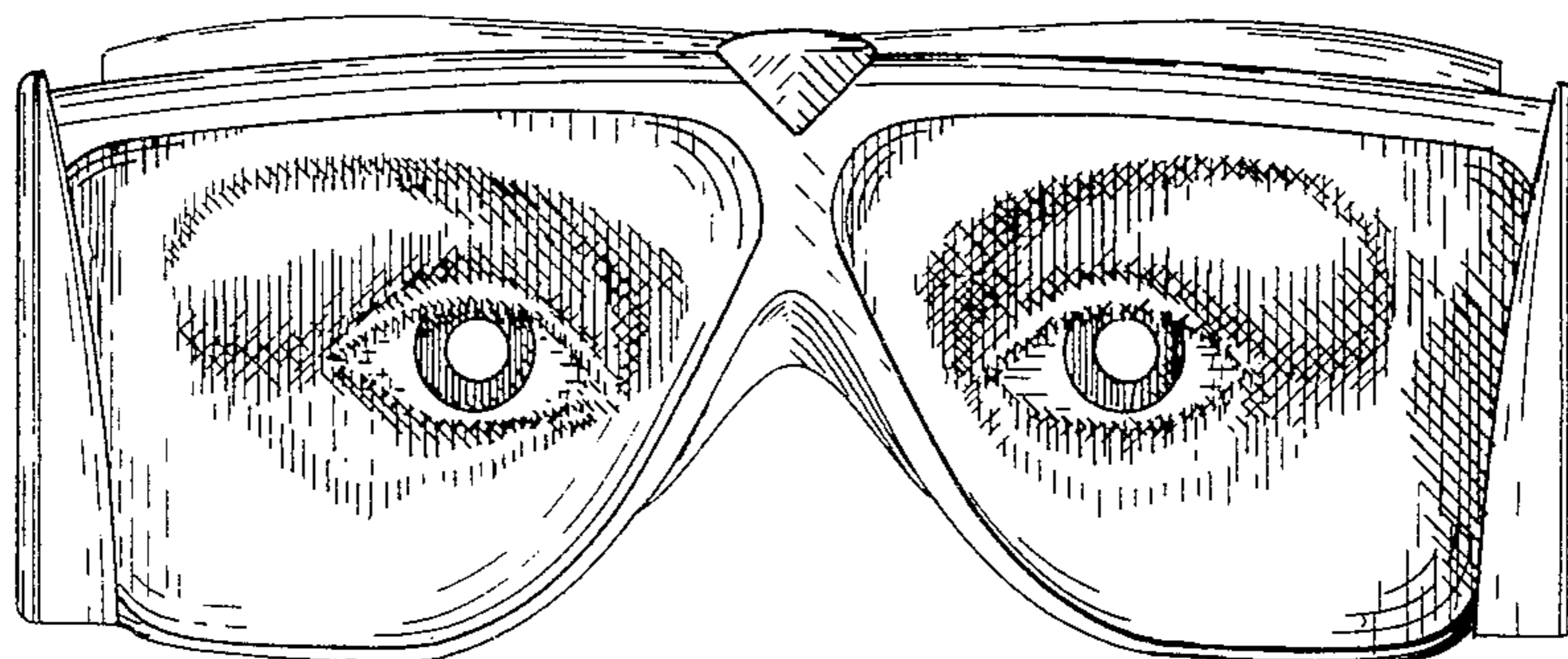
FIG. 2 is a rear elevational view thereof;

FIG. 3 is a top view thereof;

FIG. 4 is a bottom view thereof;

FIG. 5 is a left side elevational view thereof, the right side being identical thereto;

FIG. 6 is a front elevational view thereof with the photographic insert removed.



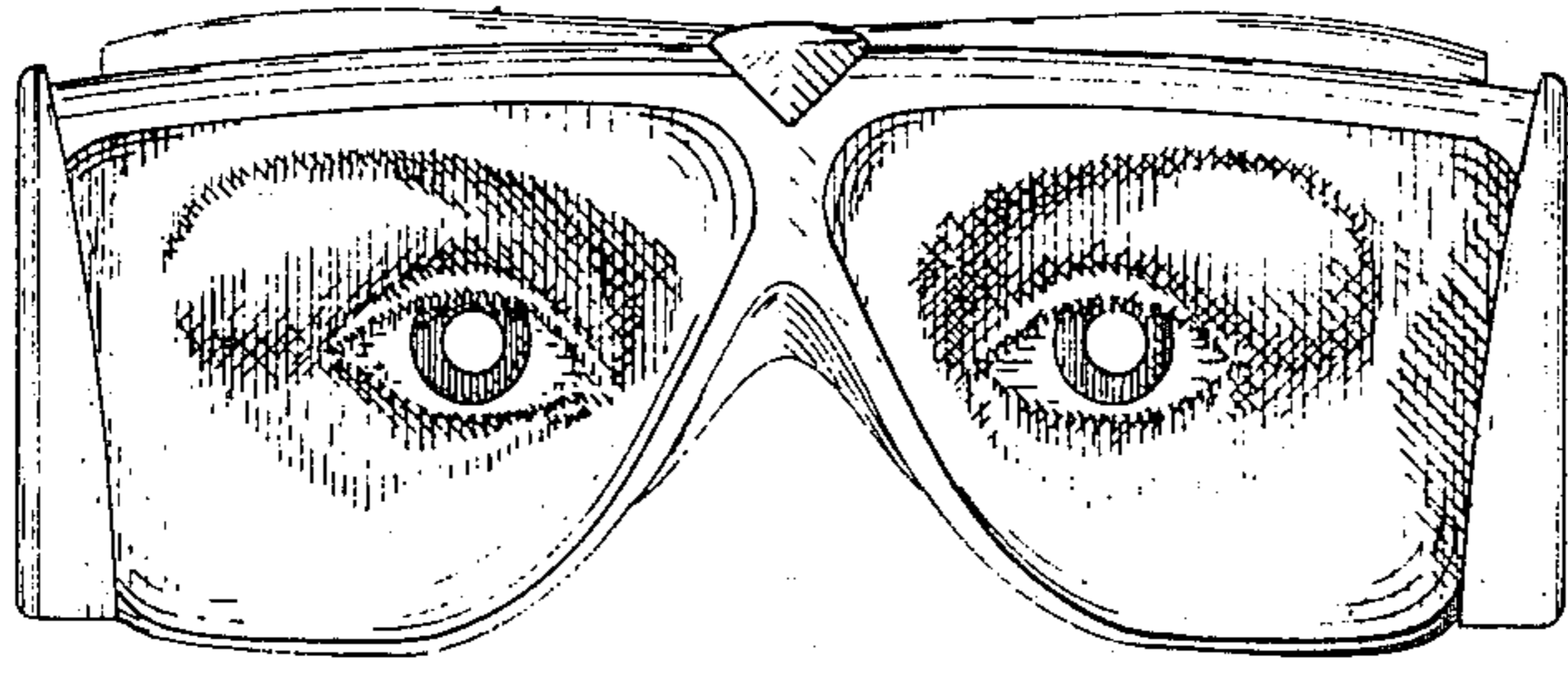


Fig. 1

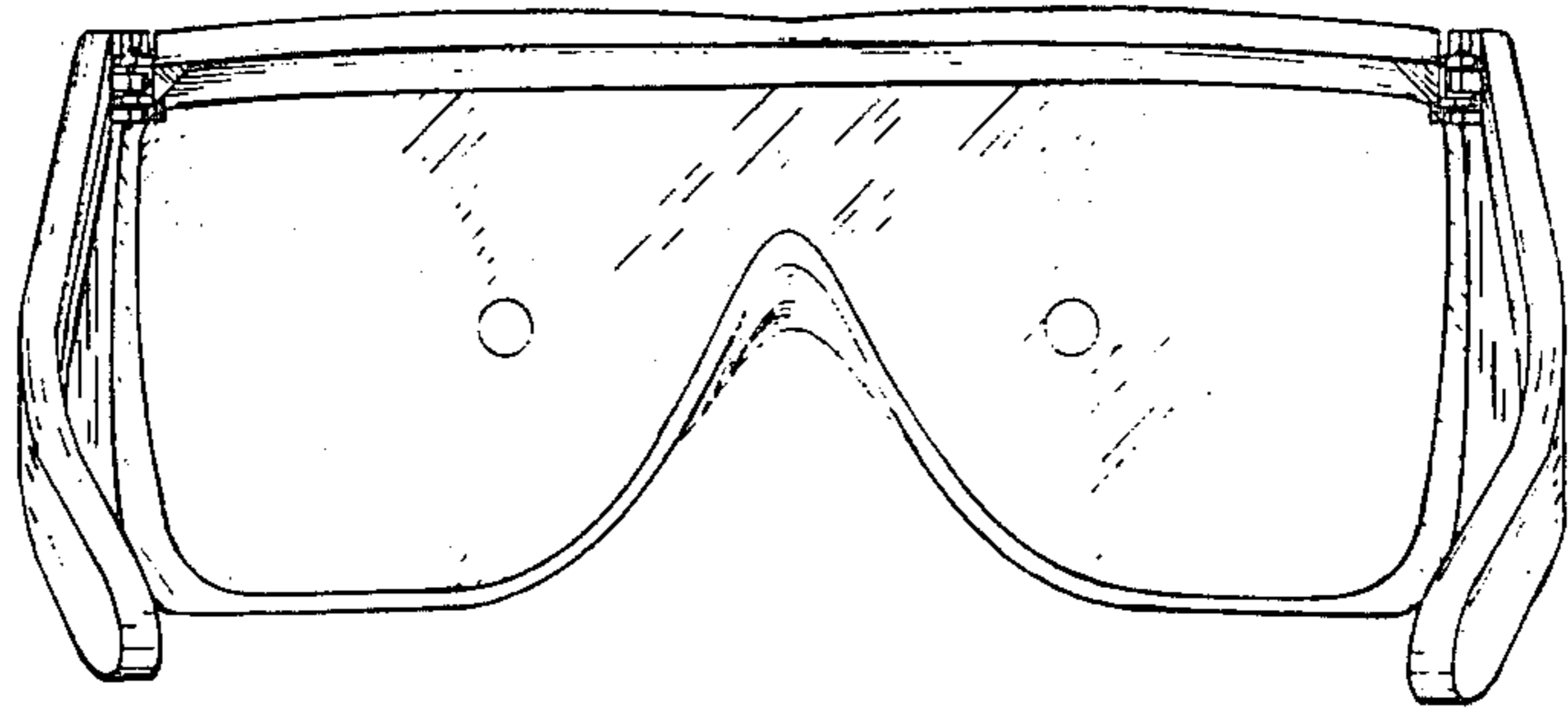


Fig. 2

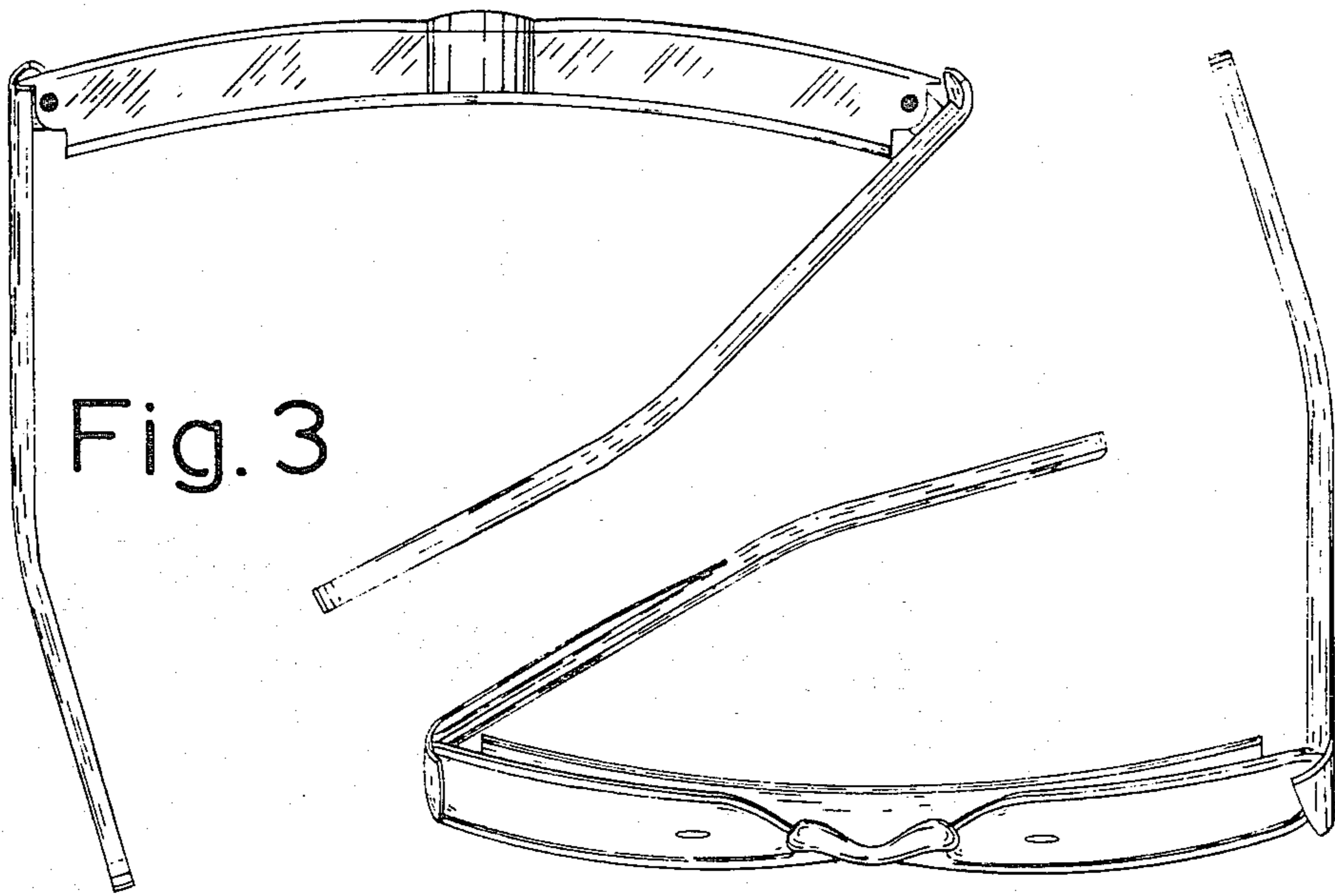


Fig. 3

Fig. 4

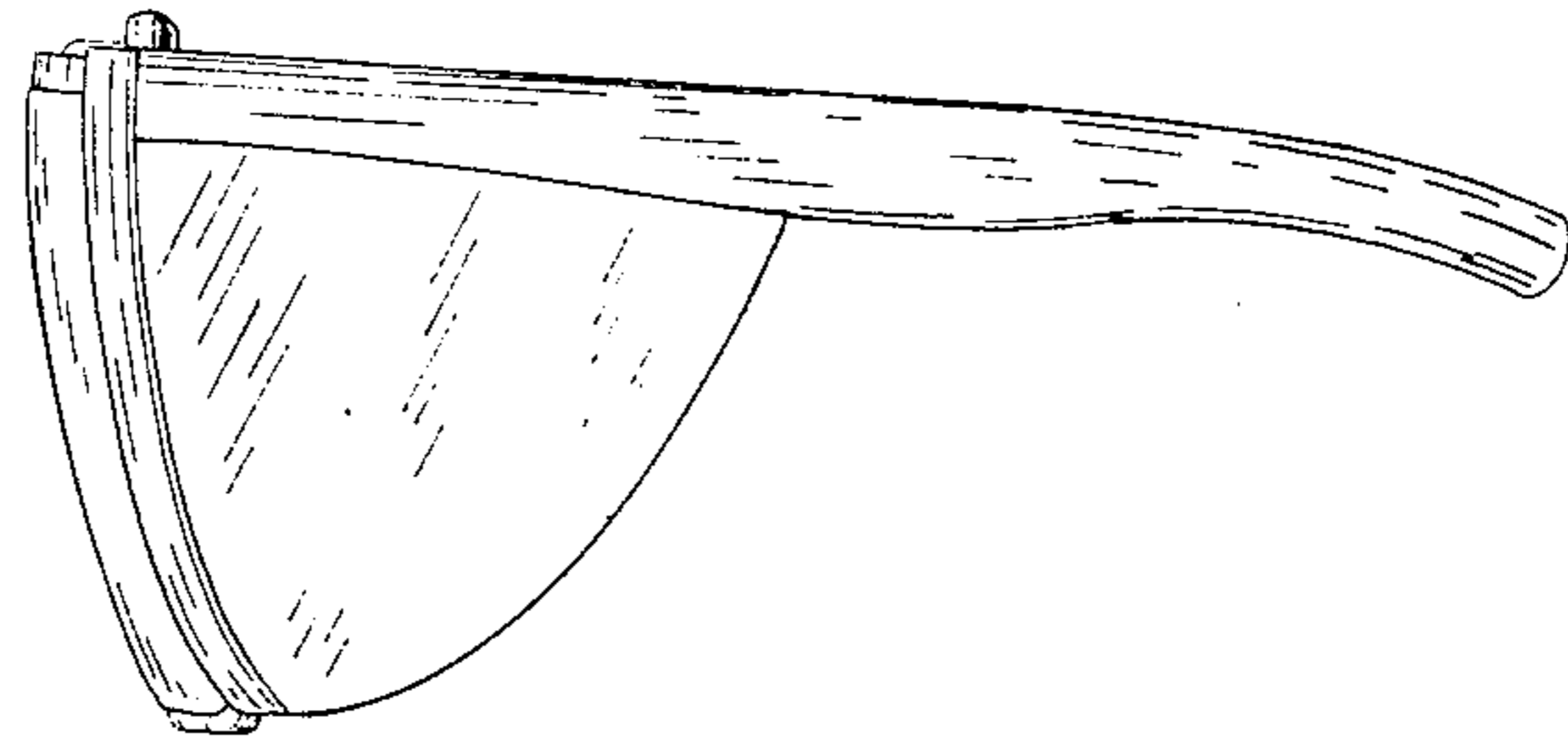


Fig. 5

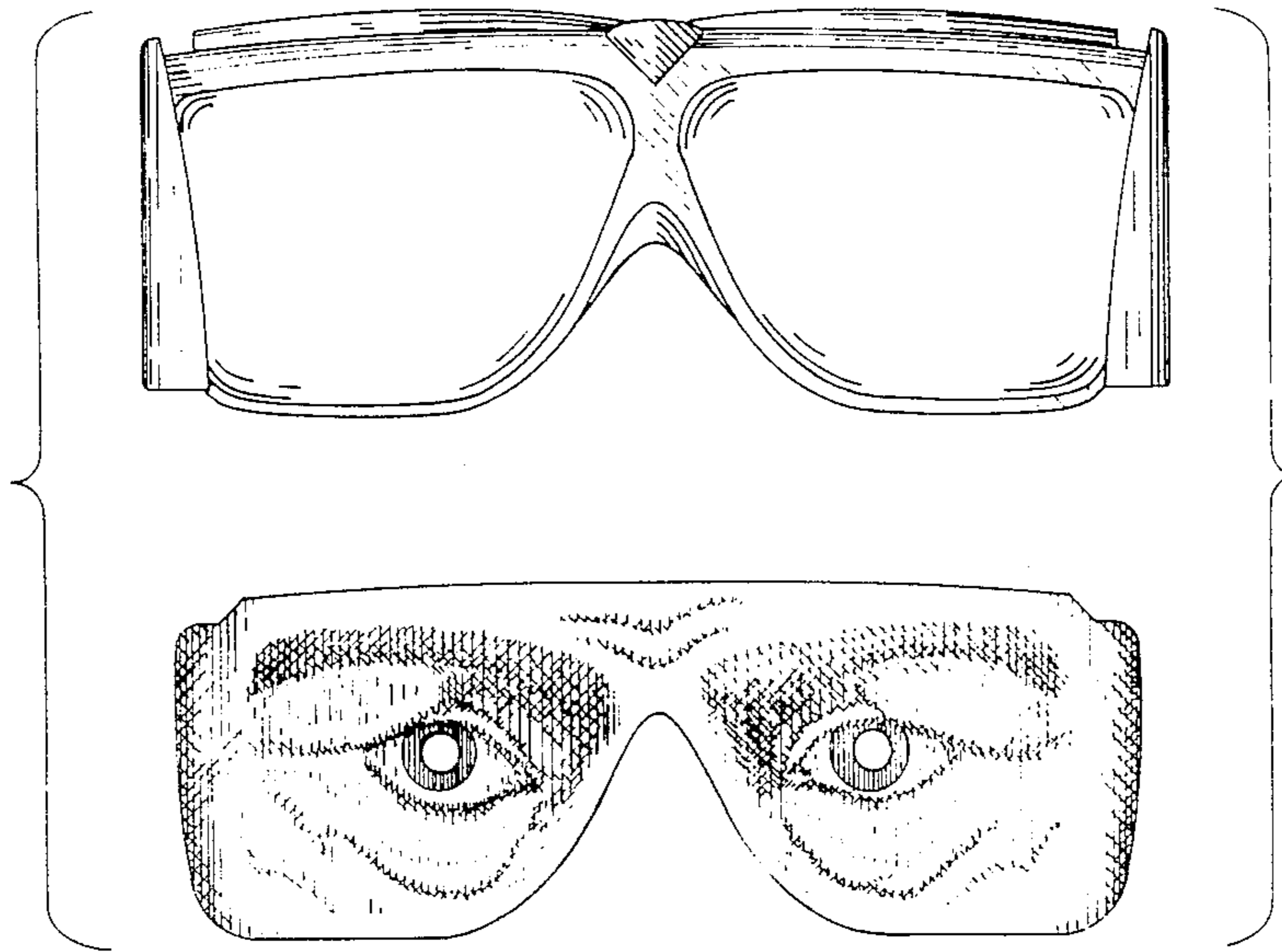


Fig. 6