

[54] TOOTH FOR BUCKETS ON DIGGING AND LOADING MACHINES

[75] Inventor: Olav Nja, Kvernaland, Norway

[73] Assignee: Kverneland A/S, Kvernaland, Norway

[*] Notice: The portion of the term of this patent subsequent to Sep. 25, 1998 has been disclaimed.

[**] Term: 14 Years

[21] Appl. No.: 501,117

[22] Filed: Jun. 6, 1983

[30] Foreign Application Priority Data

Dec. 28, 1982 [NO] Norway 63617
[52] U.S. Cl. D15/29
[58] Field of Search D15/10, 11, 28, 29, D15/25; 37/141 R, 141 T, 142 R, 142 A

[56] References Cited

U.S. PATENT DOCUMENTS

D. 275,681 3/1984 Nja D15/29

FOREIGN PATENT DOCUMENTS

0148834 11/1980 Japan 37/142 R

Primary Examiner—B. J. Bullock

Assistant Examiner—Suzanne N. Gitlin

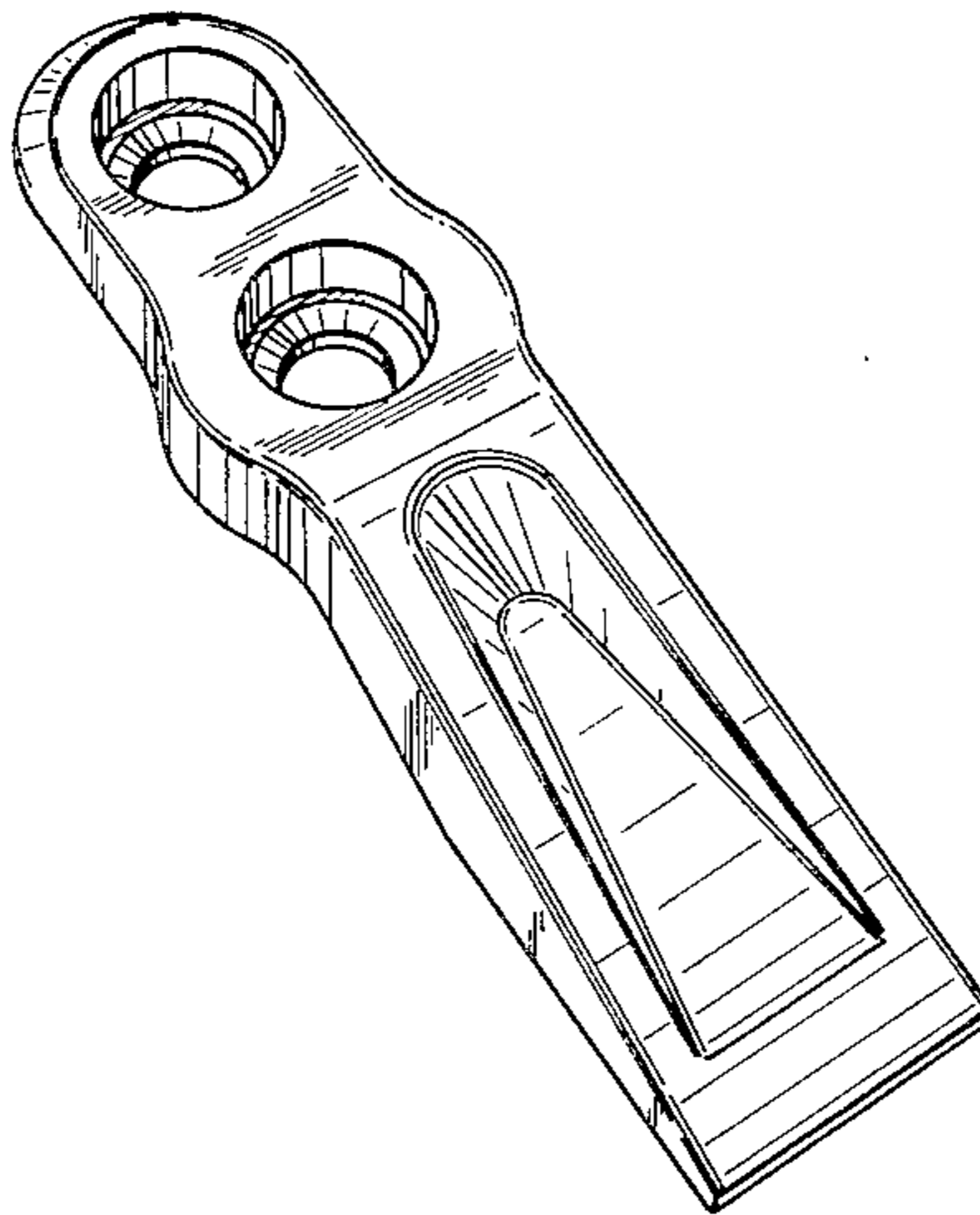
Attorney, Agent, or Firm—Schwartz, Jeffery, Schwaab, Mack, Blumenthal & Evans

[57] CLAIM

The ornamental design for a tooth for buckets on digging and loading machines, substantially as shown.

DESCRIPTION

FIG. 1 is a perspective view of a tooth for buckets on digging and loading machines showing my new design; FIG. 2 is an end elevational view taken from the right of FIG. 1; FIG. 3 is an end elevational view taken from the left of FIG. 1; FIG. 4 is a top plan view thereof; FIG. 5 is a side elevational view thereof; FIG. 6 is a bottom plan view thereof.



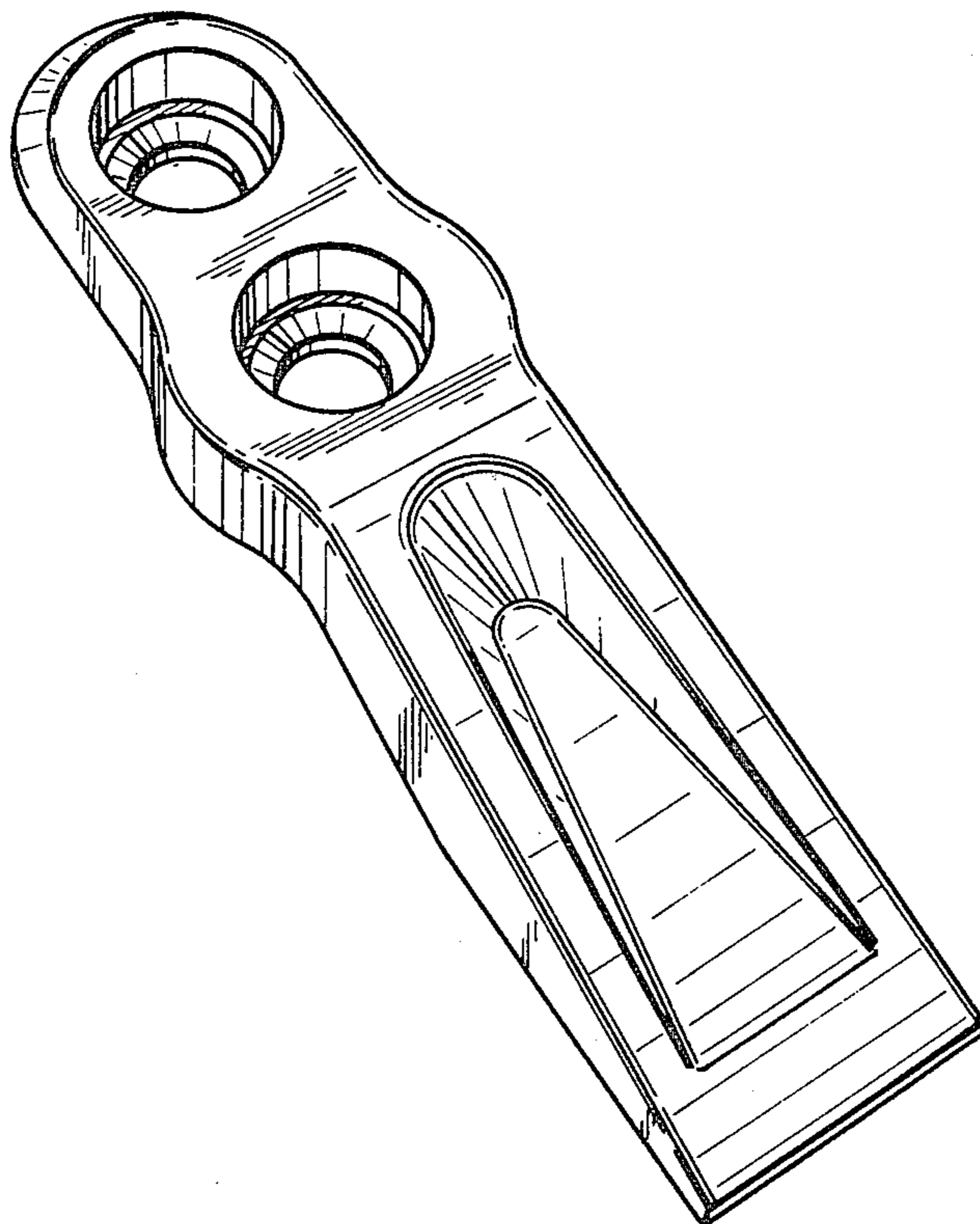


FIG. 1

FIG. 2

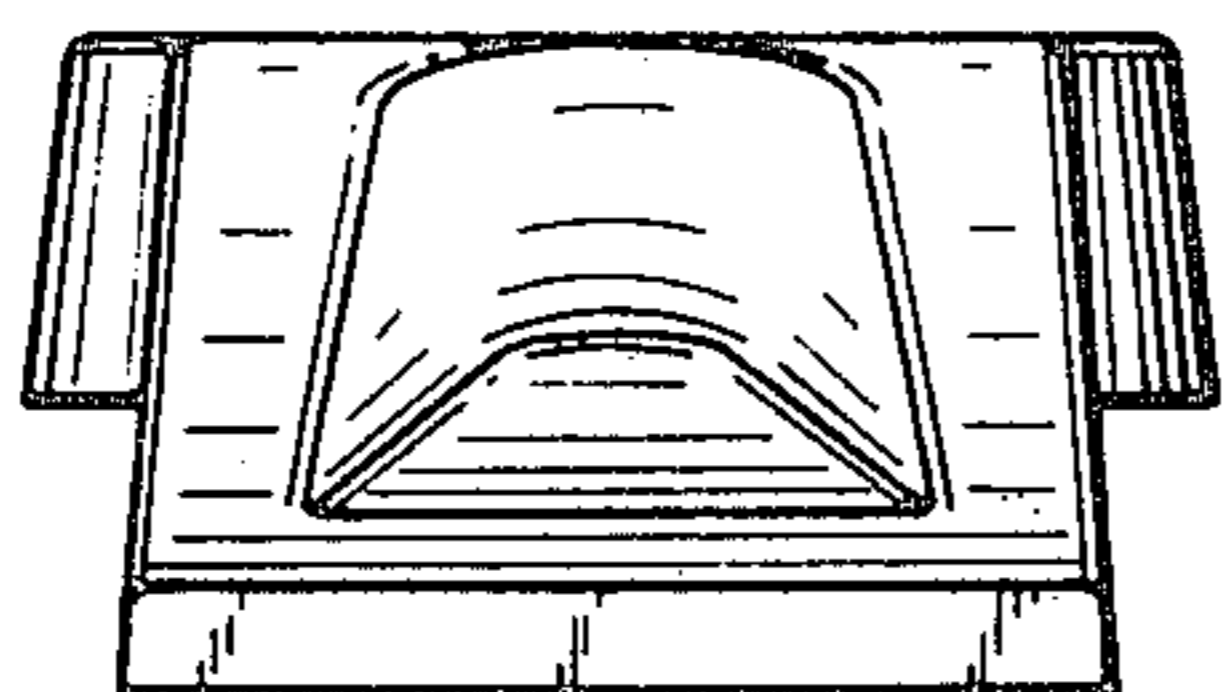


FIG. 3

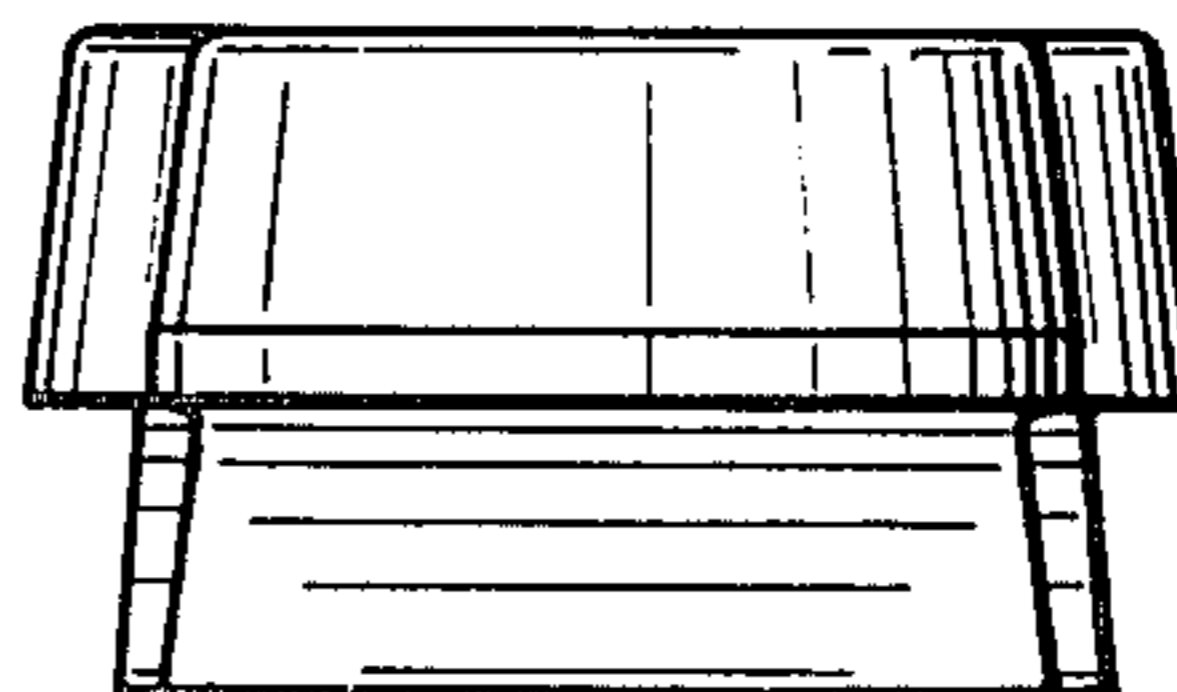


FIG. 4

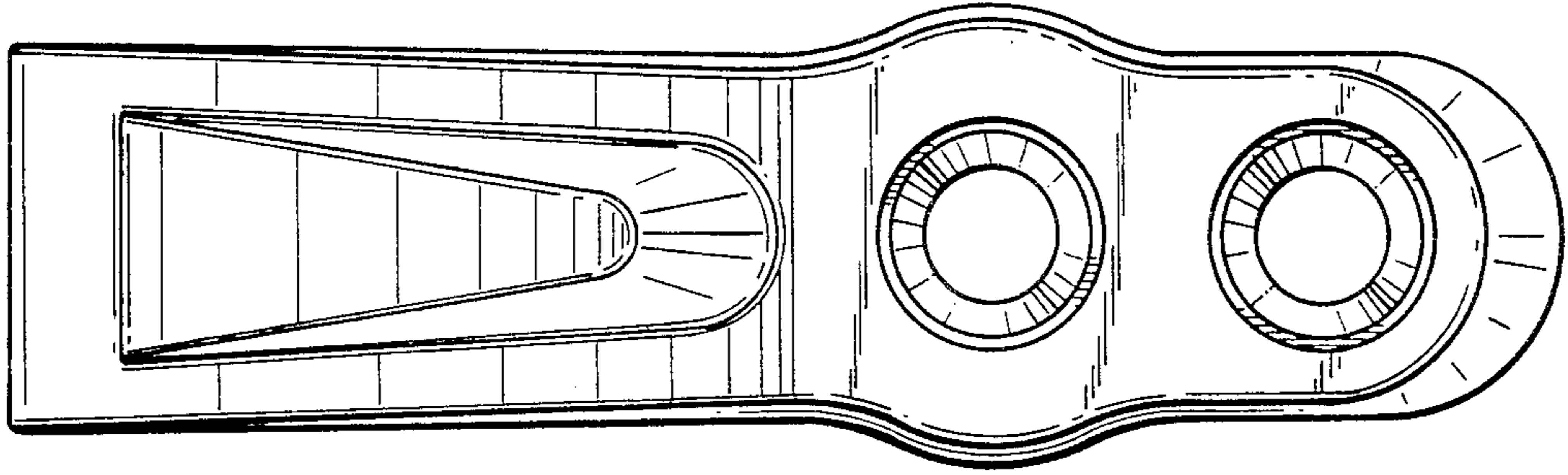


FIG. 5

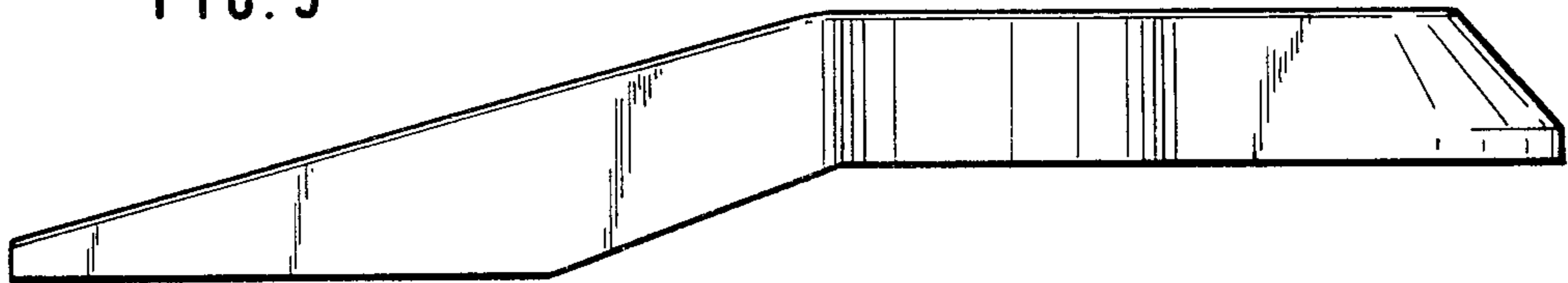


FIG. 6

