

[54] **PLOW-BOTTOM**

[75] **Inventor: Johan Nordland, Kvernaland, Norway**

[73] **Assignee: Kverneland A/S, Kvernaland, Norway**

[**] **Term: 14 Years**

[21] **Appl. No.: 522,236**

[22] **Filed: Aug. 11, 1983**

[52] **U.S. Cl. D15/11; D15/29**

[58] **Field of Search D15/10, 11, 27, 28, D15/29, 33; 172/754, 756, 760**

[56] **References Cited**

U.S. PATENT DOCUMENTS

283,687	8/1883	Trump	172/756
285,463	9/1883	Clausen	172/756
400,468	4/1889	Lynch	172/756
426,012	4/1890	Hammell	172/721
881,457	3/1908	Bergstrom	172/756
1,026,575	5/1912	Frazer	172/756
1,027,044	5/1912	Gubrud	172/756
1,143,163	6/1915	Bartholomew	172/756
2,041,519	5/1936	Altgelt	172/756
2,217,888	10/1940	Benjamin	172/756

3,519,084 7/1970 Fenet 172/754

FOREIGN PATENT DOCUMENTS

0996579	12/1951	France	172/756
1044091	6/1953	France	172/756
1055068	2/1954	France	172/756
0096943	9/1939	Sweden	172/756

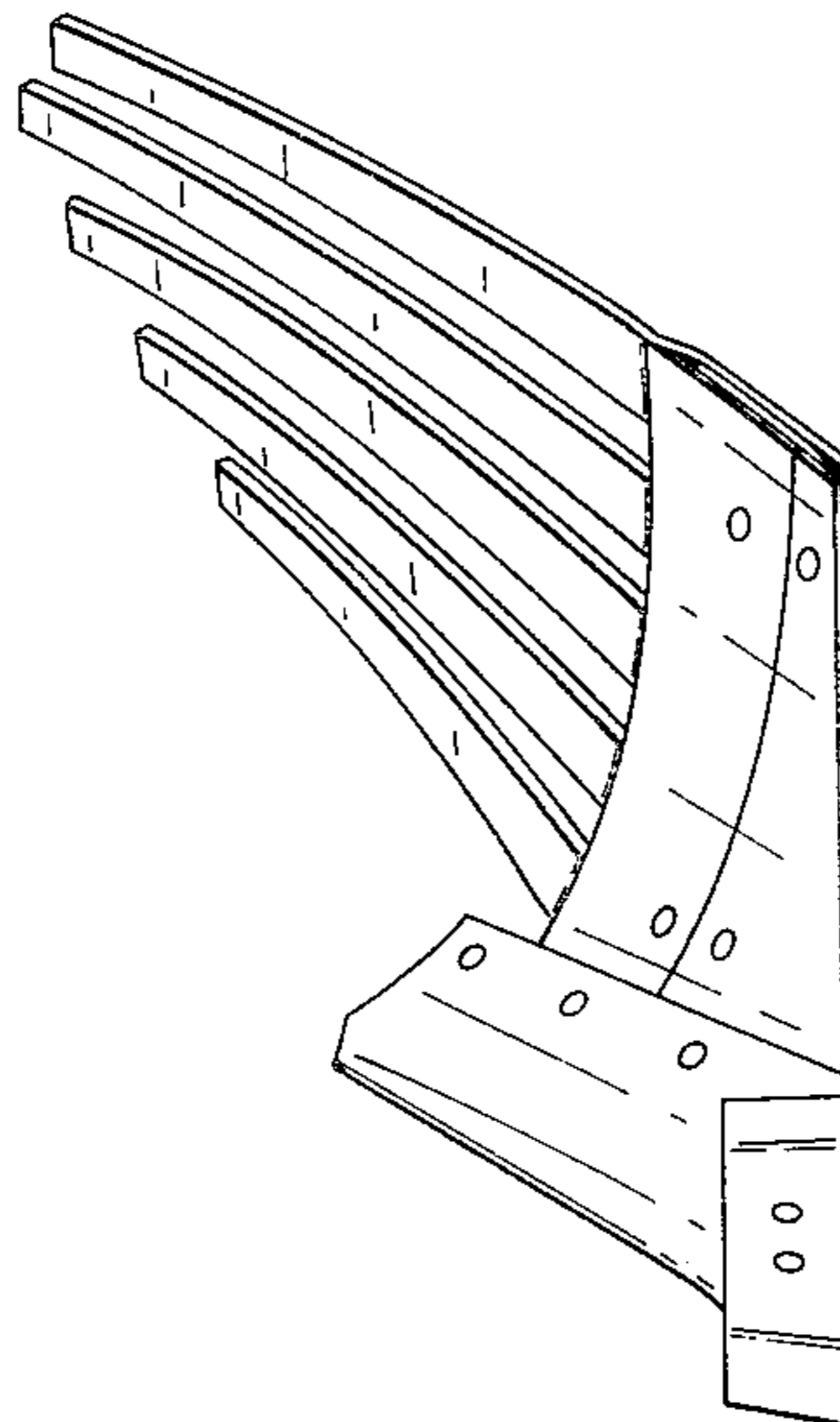
Primary Examiner—B. J. Bullock
Assistant Examiner—Suzanne N. Gitlin
Attorney, Agent, or Firm—Schwartz, Jeffery, Schwaab, Mack, Blumenthal & Evans

[57] **CLAIM**

The ornamental design for a plow-bottom, substantially as shown.

DESCRIPTION

FIG. 1 is a front view of a plow bottom showing my new design;
 FIG. 2 is a top view thereof;
 FIG. 3 is a front view taken from a different angle as seen in FIG. 1;
 FIG. 4 is a rear view thereof;
 FIG. 5 is a bottom view thereof;
 FIG. 6 is a rear view taken from a different angle as seen in FIG. 4.



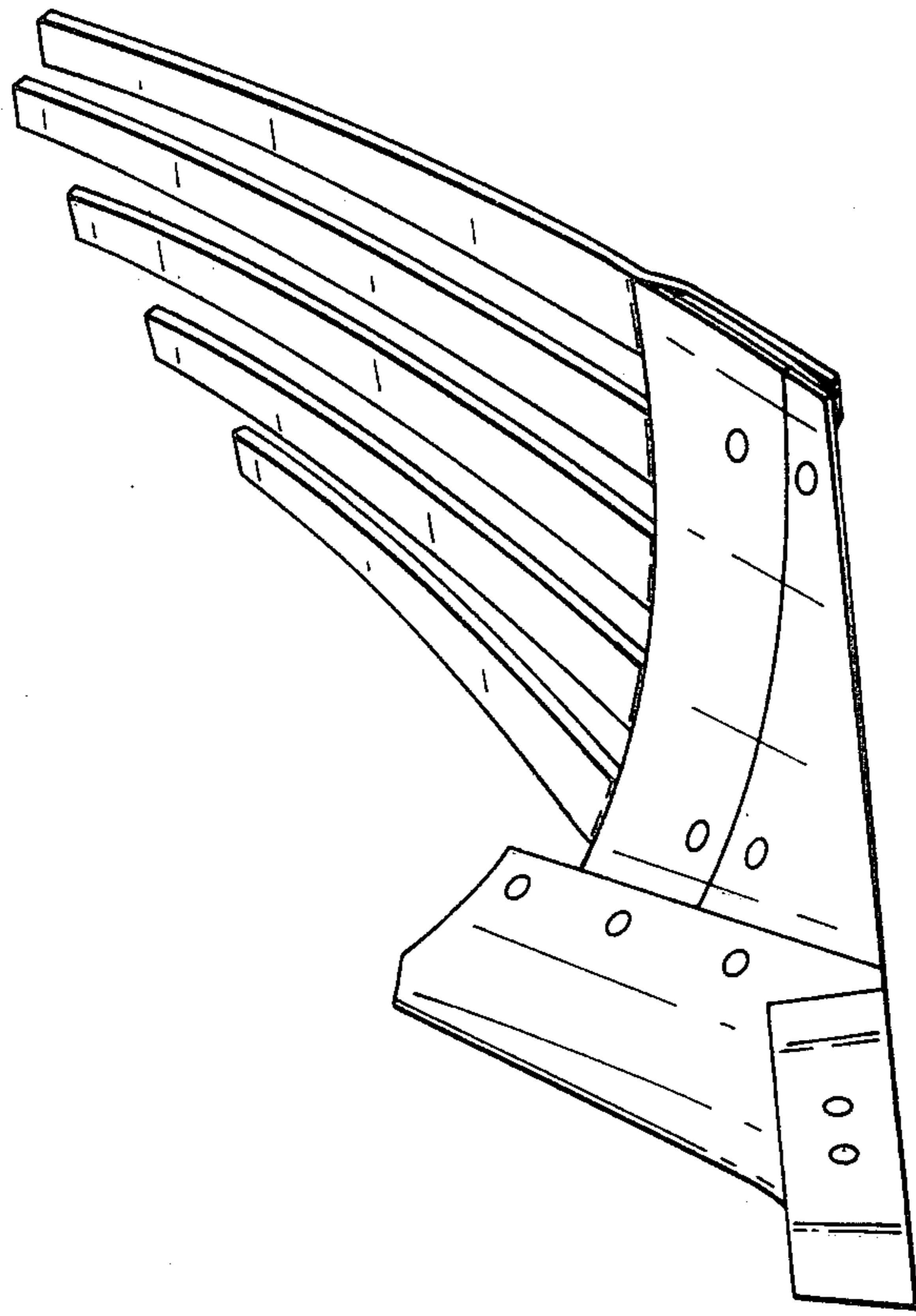


FIG. 1

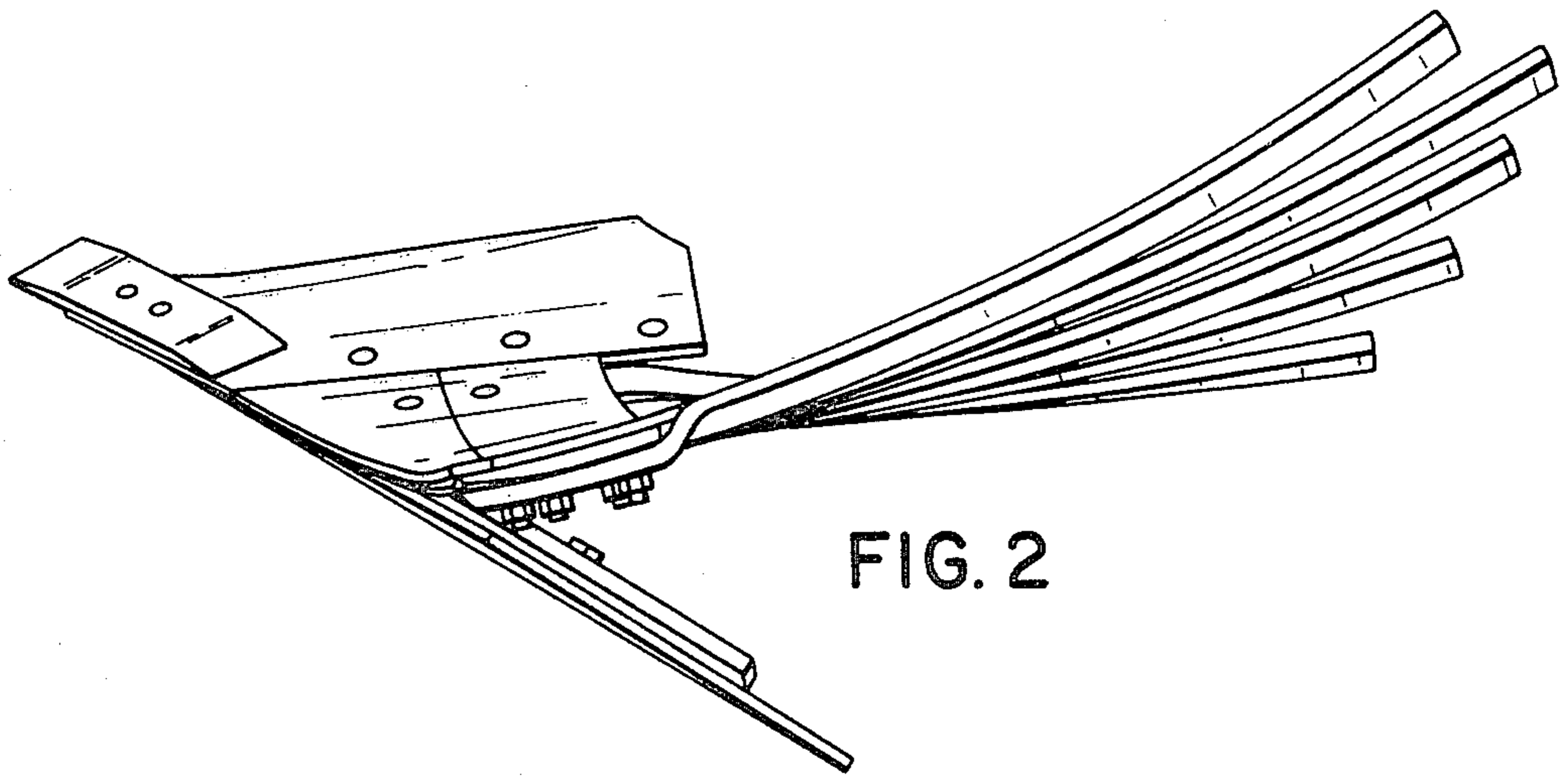


FIG. 2

