

[54] WALL MOUNTED SUPPORT FOR LOUDSPEAKER OR THE LIKE

[75] Inventor: **Richard J. Whitaker**, Guernsey, Channel Islands

[73] Assignee: **Broadaker Co., Ltd.**, Guernsey, Channel Islands

[**] Term: **14 Years**

[21] Appl. No.: **546,297**

[22] Filed: **Oct. 28, 1983**

[30] **Foreign Application Priority Data**

Apr. 28, 1983 [GB] United Kingdom 1012754

[52] **U.S. Cl.** **D14/38; D14/37; D8/373**

[58] **Field of Search** D6/407, 410, 411, 412, D6/449, 458, 460, 462, 464, 475, 510, 512-514, 518, 526, 531, 535, 546, 548-550, 552.4, 563, 566-572, 573; D8/373, 380, 356, 354, 376; 211/13, 55, 70.5, 86, 87, 106, 181; 248/444, 447.1, 455, 456, 465.1, 317, 75, 89, 90, 214, 220.2, 220.3, 289, 300, 302-303, 309.1, 311.2, 312.1, 313, 315, 316.1; 108/49, 139; D14/38, 37

[56] **References Cited**

U.S. PATENT DOCUMENTS

D. 257,665	12/1980	Young	D8/373
D. 259,114	5/1981	Cyrell	D8/373
D. 261,709	11/1981	Hartman	D8/373
D. 268,494	4/1983	Cyrell	D14/38
D. 274,328	6/1984	Phelps	D14/38
1,096,448	5/1914	Murphy et al.	248/289.1
1,572,610	2/1926	Lacks et al.	248/317
4,185,801	1/1980	Plymoth	248/289.1

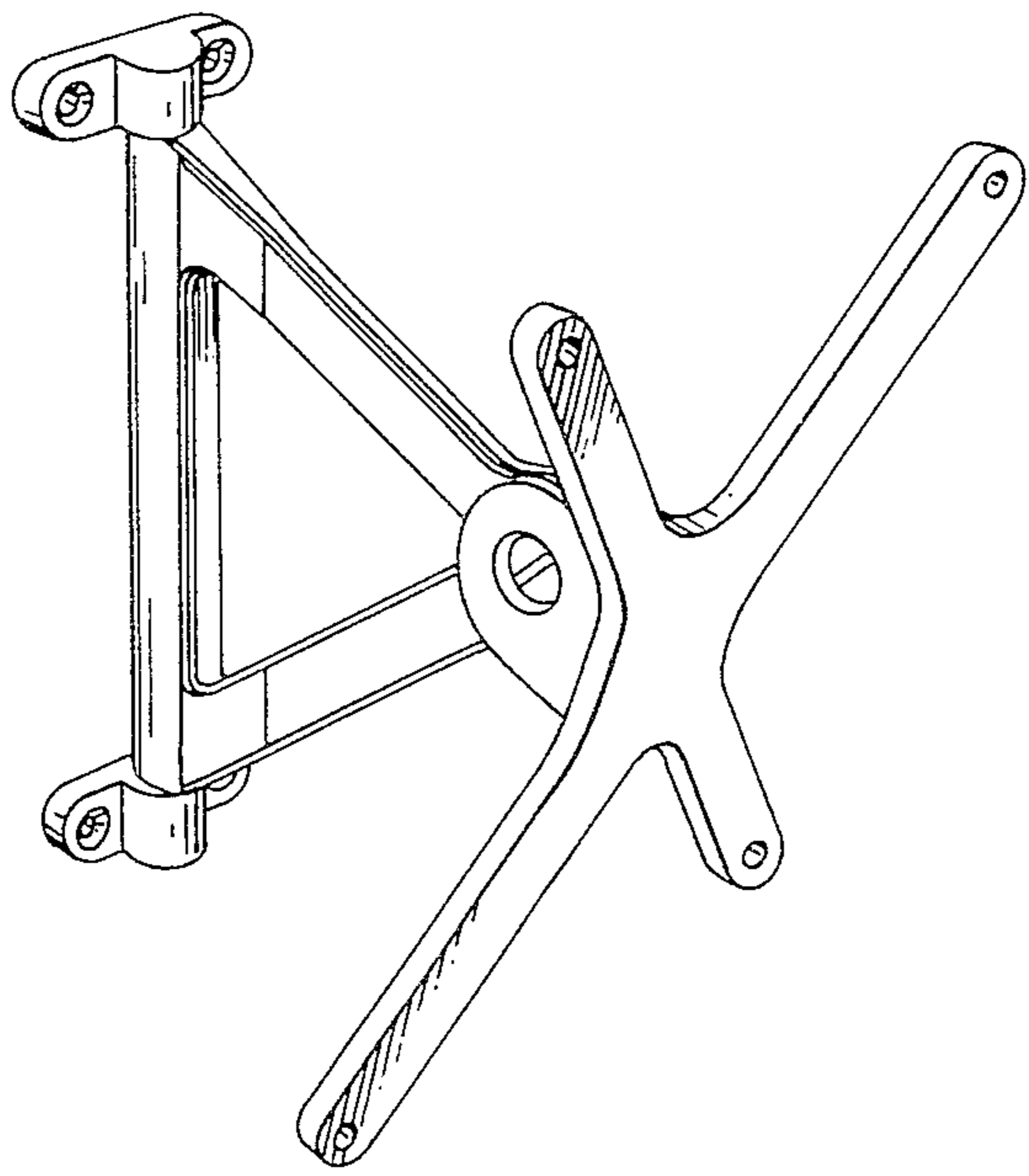
Primary Examiner—B. J. Bullock
Assistant Examiner—Suzanne N. Gitlin
Attorney, Agent, or Firm—Wenderoth, Lind & Ponack

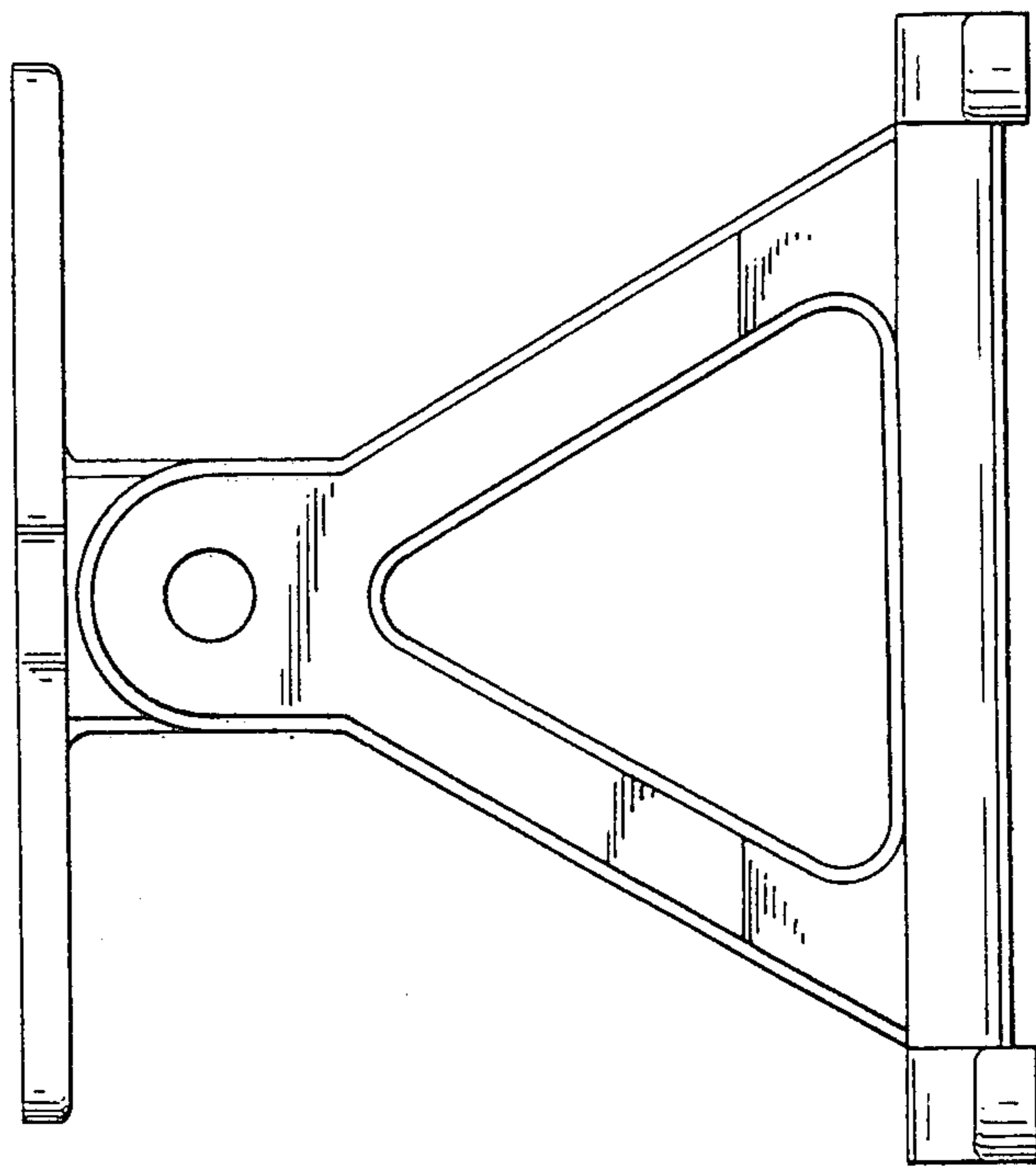
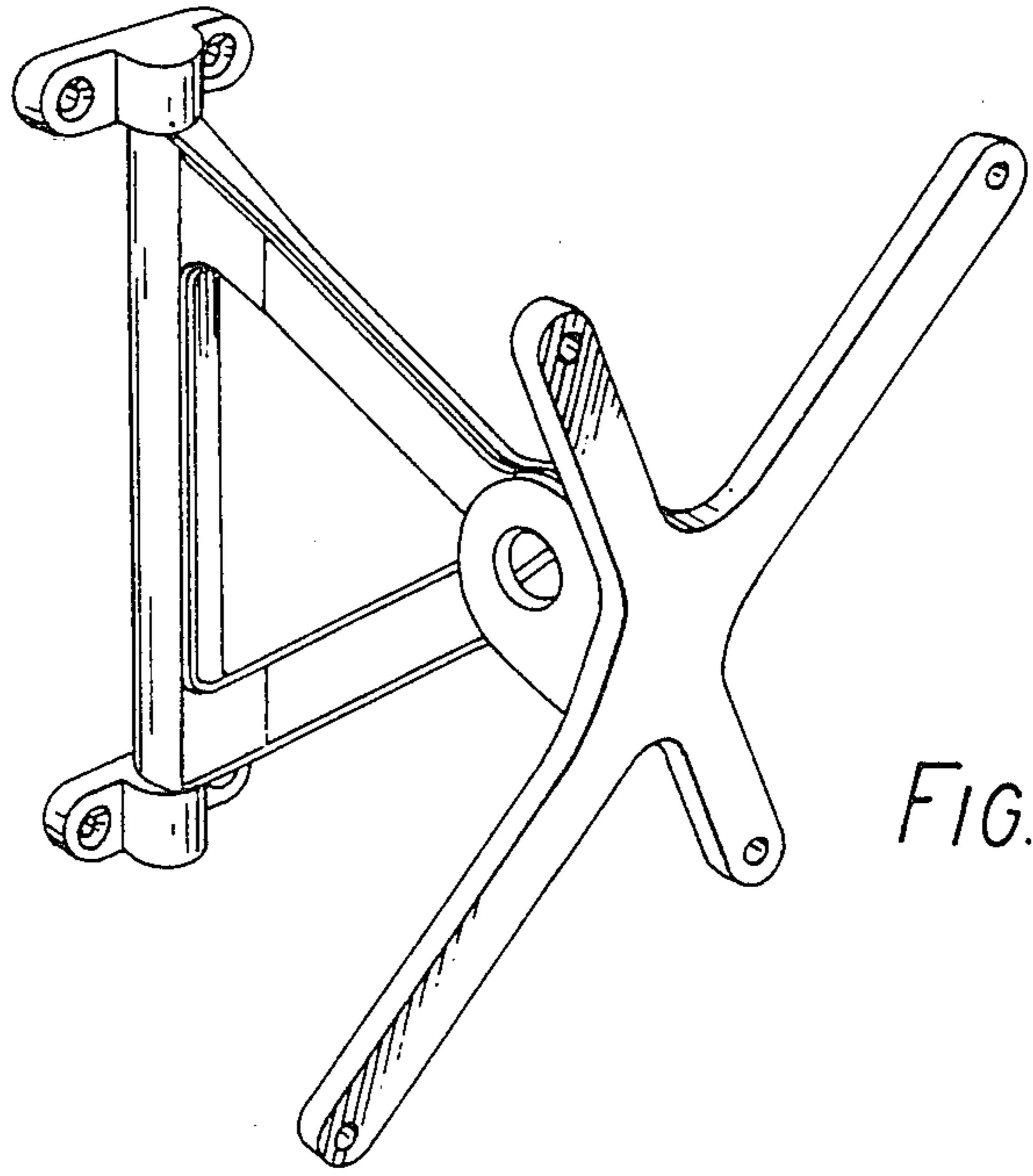
[57] **CLAIM**

The ornamental design for wall mounted support for loudspeaker, or the like substantially as shown.

DESCRIPTION

FIG. 1 is a reduced front perspective view of a wall mounted support for loudspeaker or the like showing my new design;
 FIG. 2 is a side elevational view thereof;
 FIG. 3 is a rear elevational view thereof;
 FIG. 4 is a bottom plan view thereof.





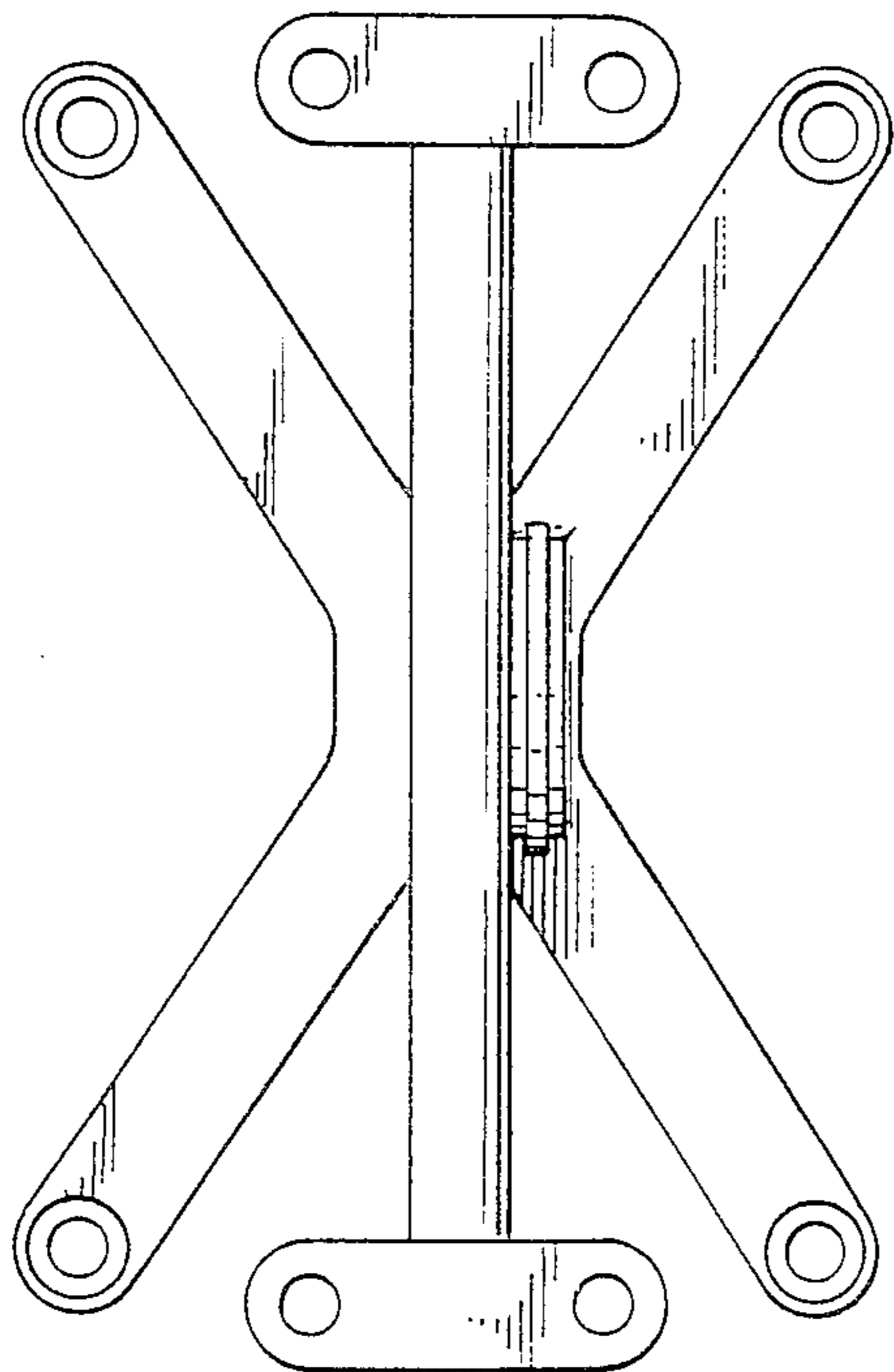


FIG. 3

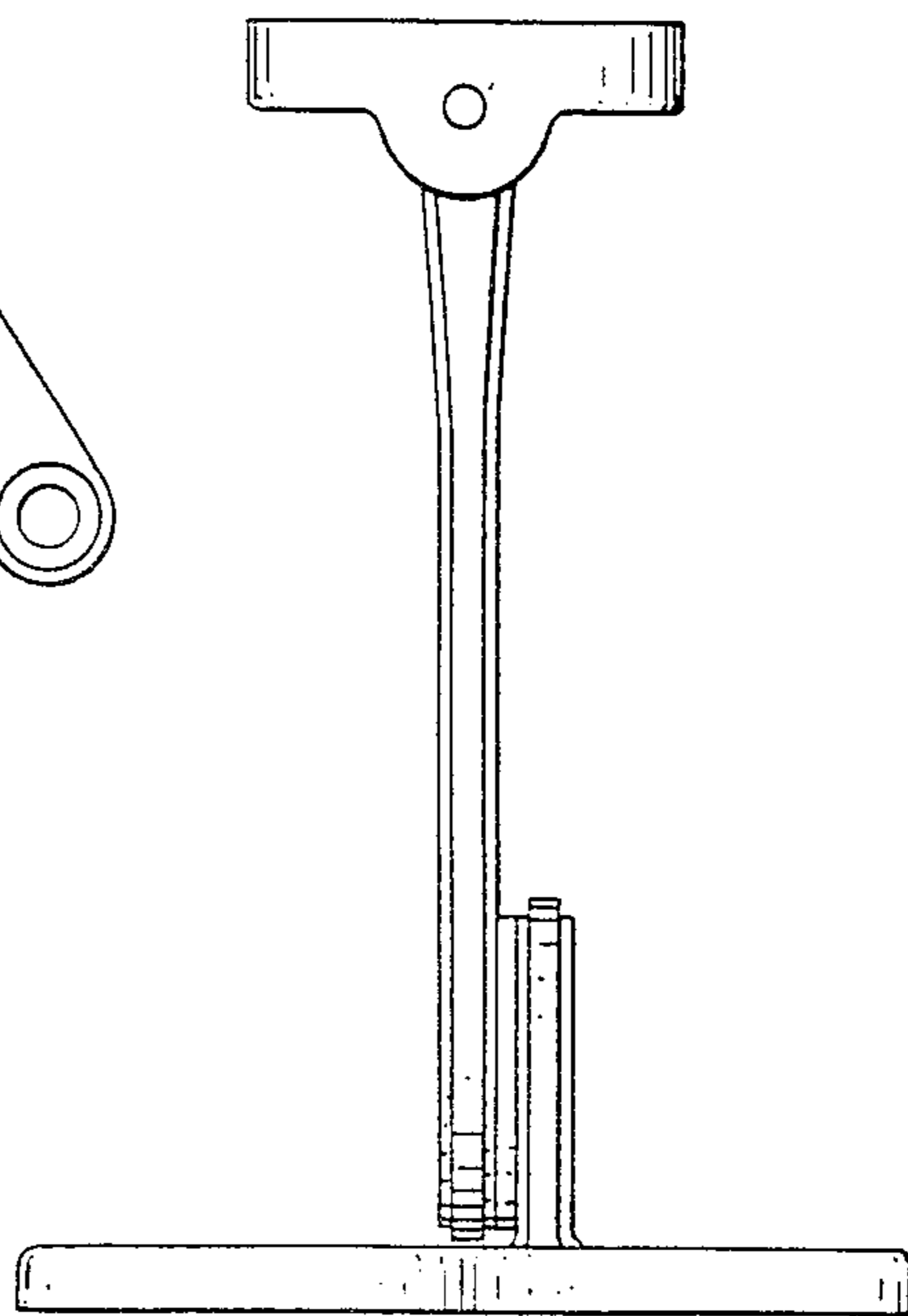


FIG. 4