

[54] CASING FOR ELECTRICAL EQUIPMENT

[75] Inventor: Lehmann Kjeld, Sondborg,
Denmark

[73] Assignee: Danfoss A/S, Nordborg, Denmark

[**] Term: 14 Years

[21] Appl. No.: 539,930

[22] Filed: Oct. 7, 1983

[30] Foreign Application Priority Data

Sep. 4, 1983 [DE] Fed. Rep. of Germany URA
413/83

[52] U.S. Cl. D14/40

[58] Field of Search D13/12, 13, 32, 40,
D13/41; 361/331, 332, 334, 380, 390, 391, 392,
399; 174/50, 52 R

[56] References Cited

U.S. PATENT DOCUMENTS

D. 225,013 10/1972 Stewart D13/40
D. 238,682 2/1976 Lehmann D13/40

D. 269,605 7/1983 Provanzano et al. D13/40

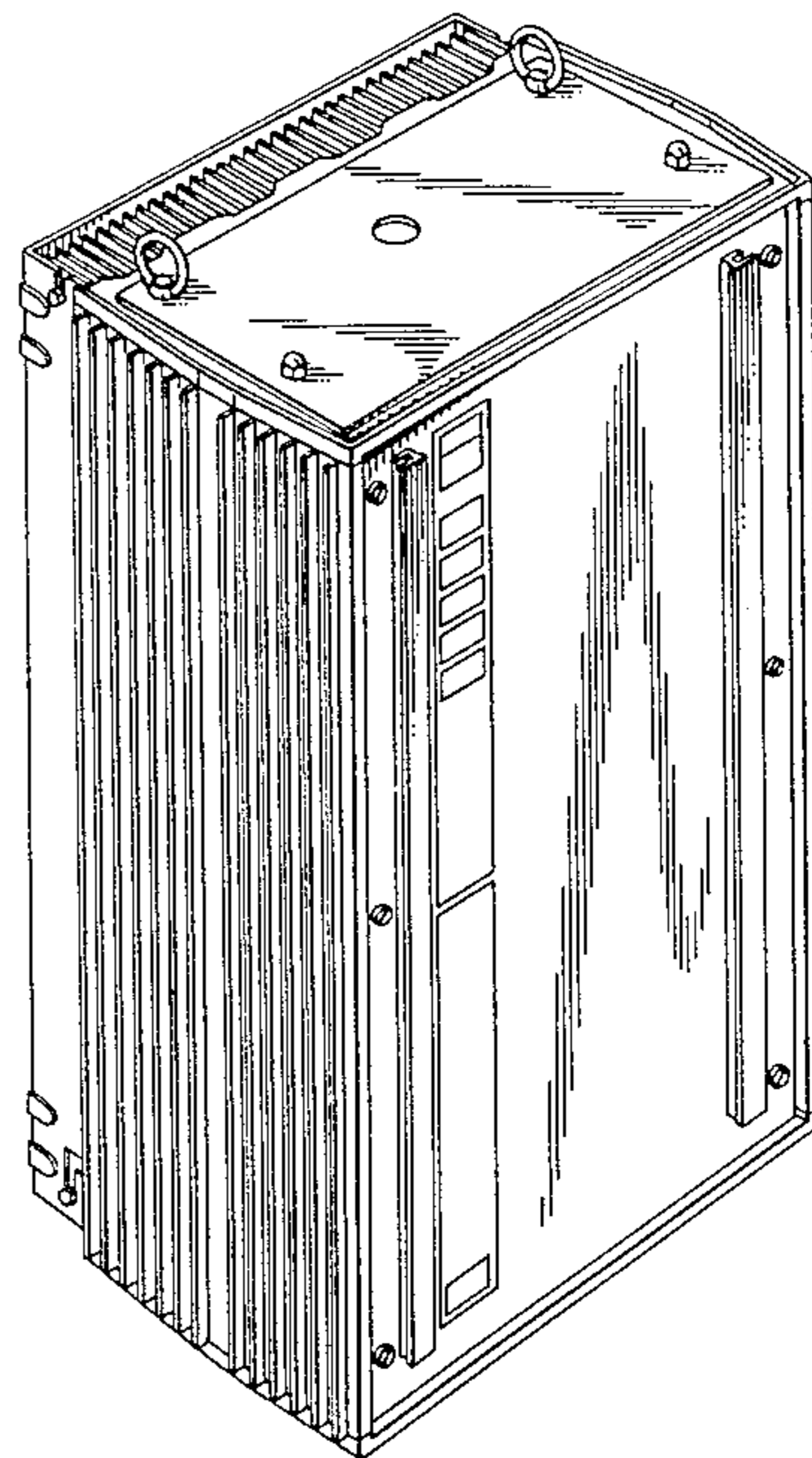
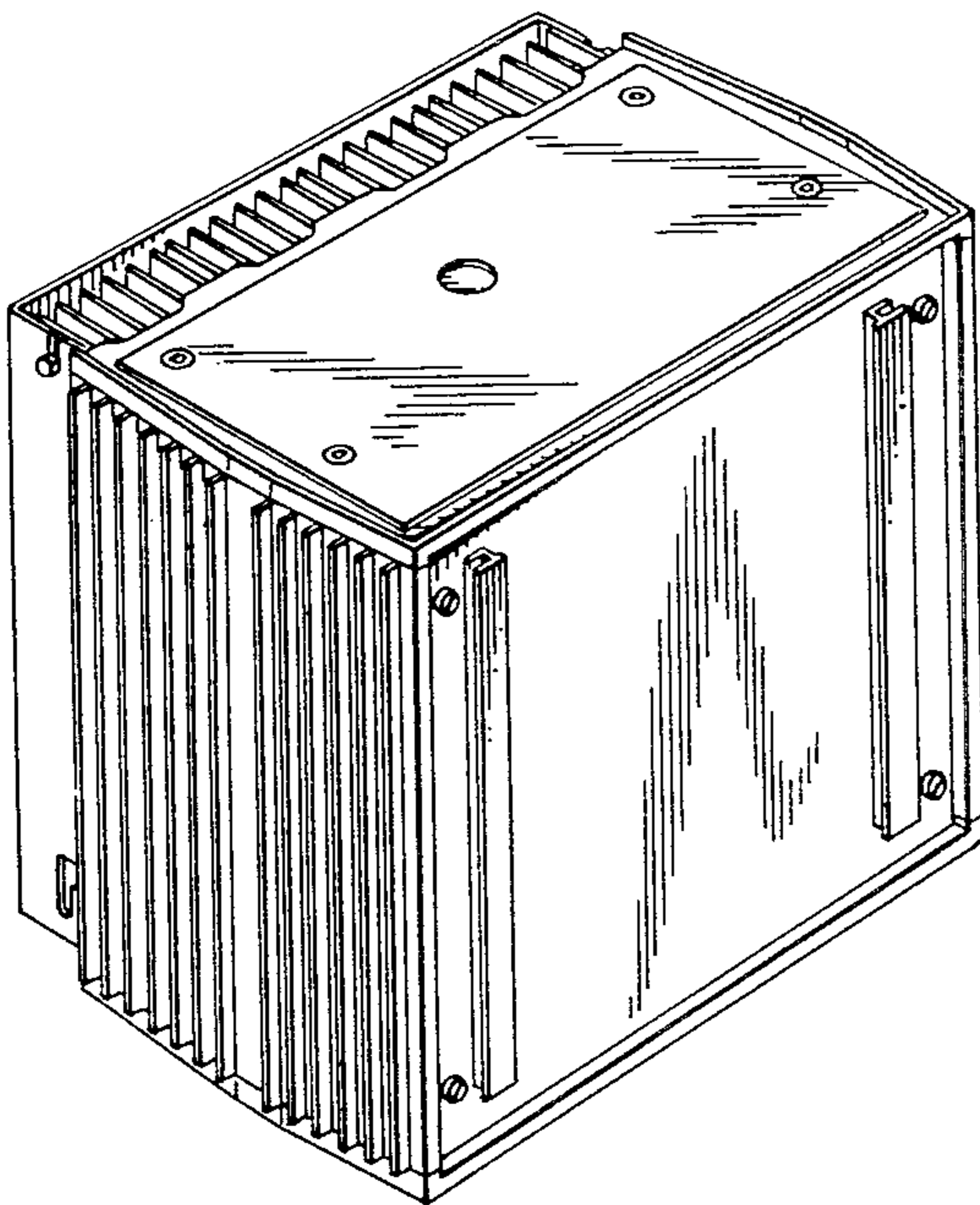
Primary Examiner—Wallace R. Burke
Assistant Examiner—Lynn Wilder
Attorney, Agent, or Firm—Wayne B. Easton

[57] CLAIM

The ornamental design for a casing for electrical equip-
ment, or the like substantially as shown and described.

DESCRIPTION

FIG. 1 is a front elevational view of a casing for electri-
cal equipment showing my new design;
FIG. 2 is a left side elevational view thereof, the right
side being a mirror image;
FIG. 3 is a rear elevational view thereof;
FIG. 4 is a top plan view thereof;
FIG. 5 is a perspective view thereof;
FIG. 6 is a front elevational view of a second embodi-
ment of a casing for electrical equipment;
FIG. 7 is a left side elevational view thereof, the right
side being a mirror image;
FIG. 8 is a rear elevational view thereof;
FIG. 9 is a top plan view thereof, and
FIG. 10 is a perspective view thereof.



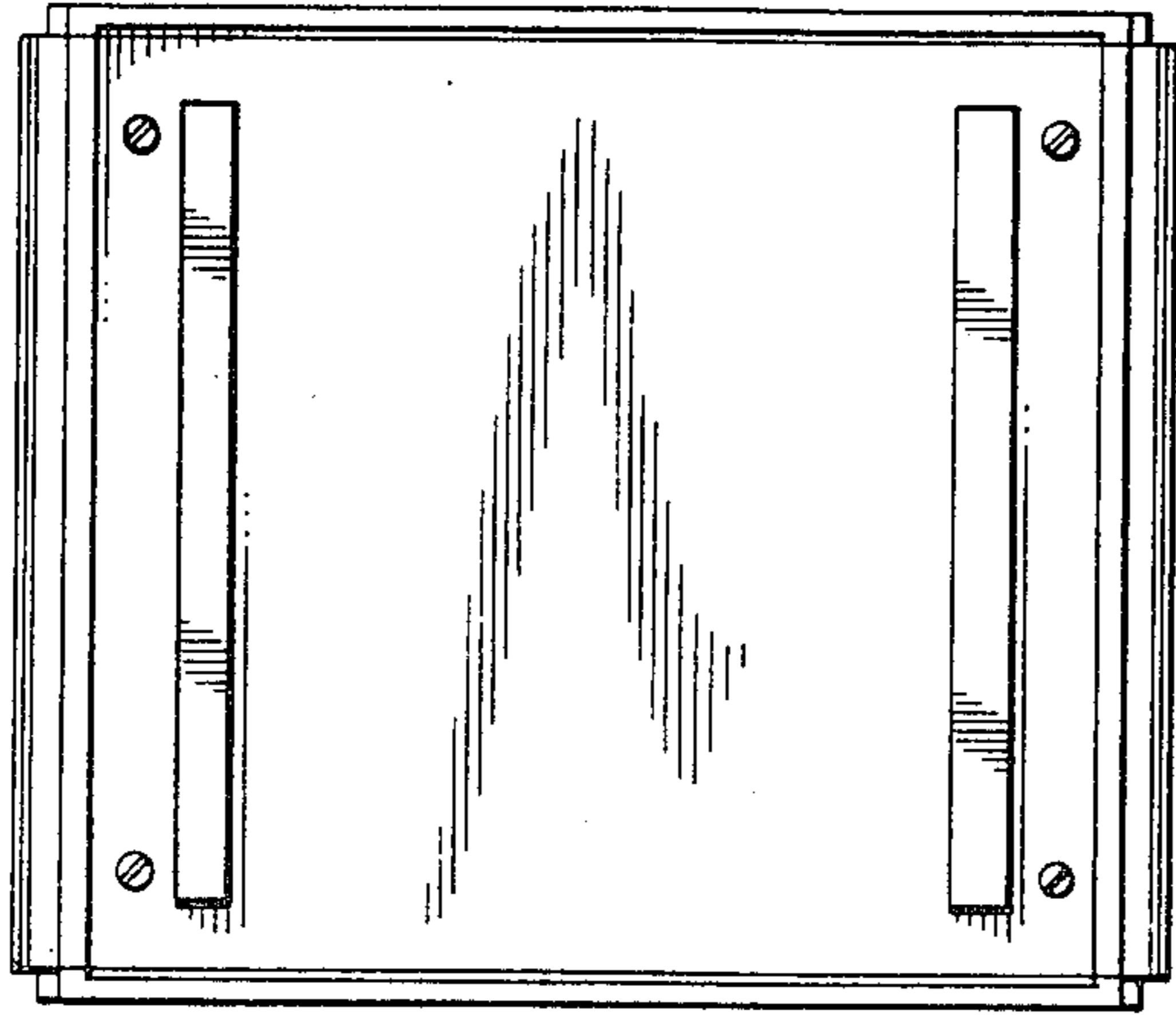


FIG. 1

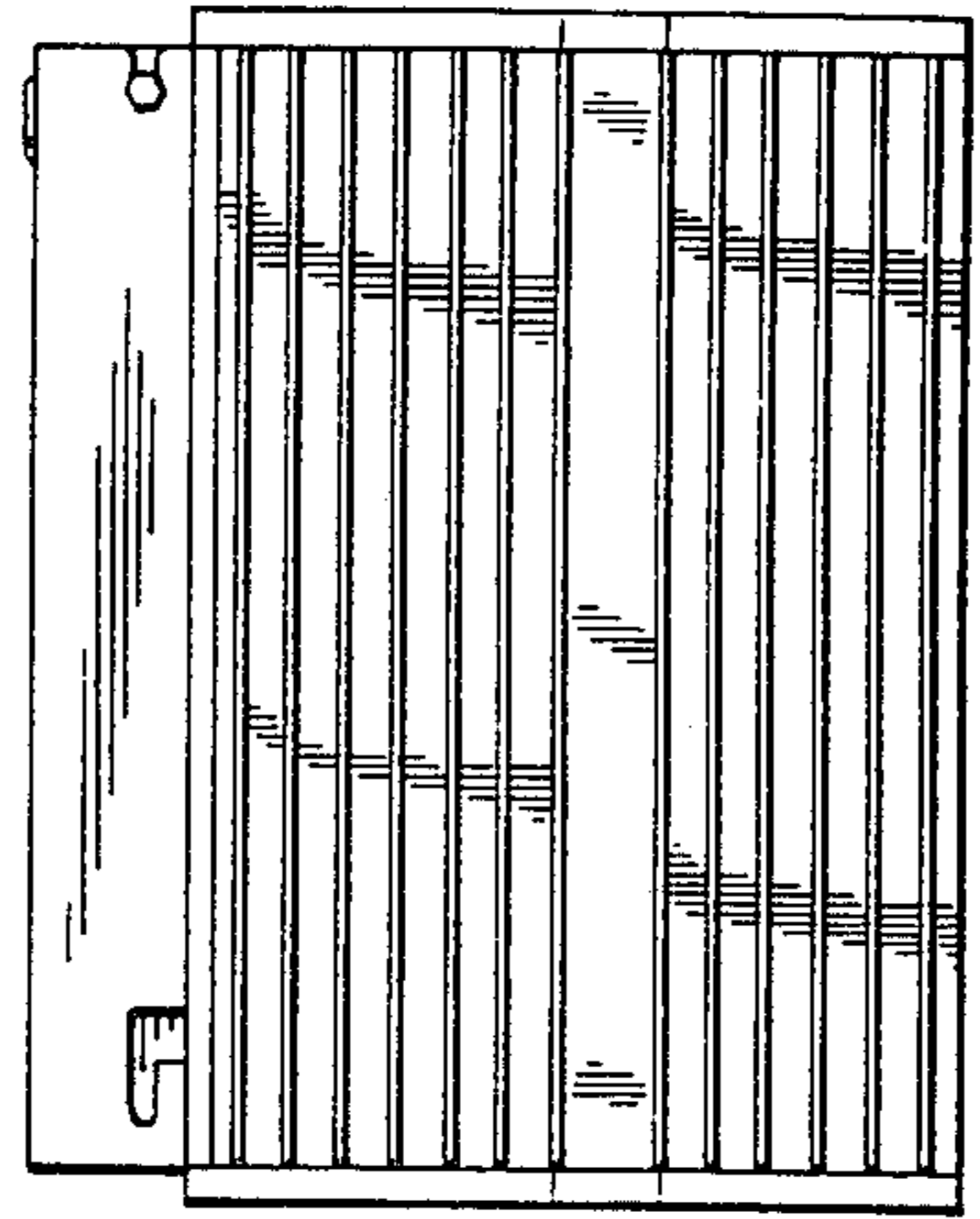


FIG. 2

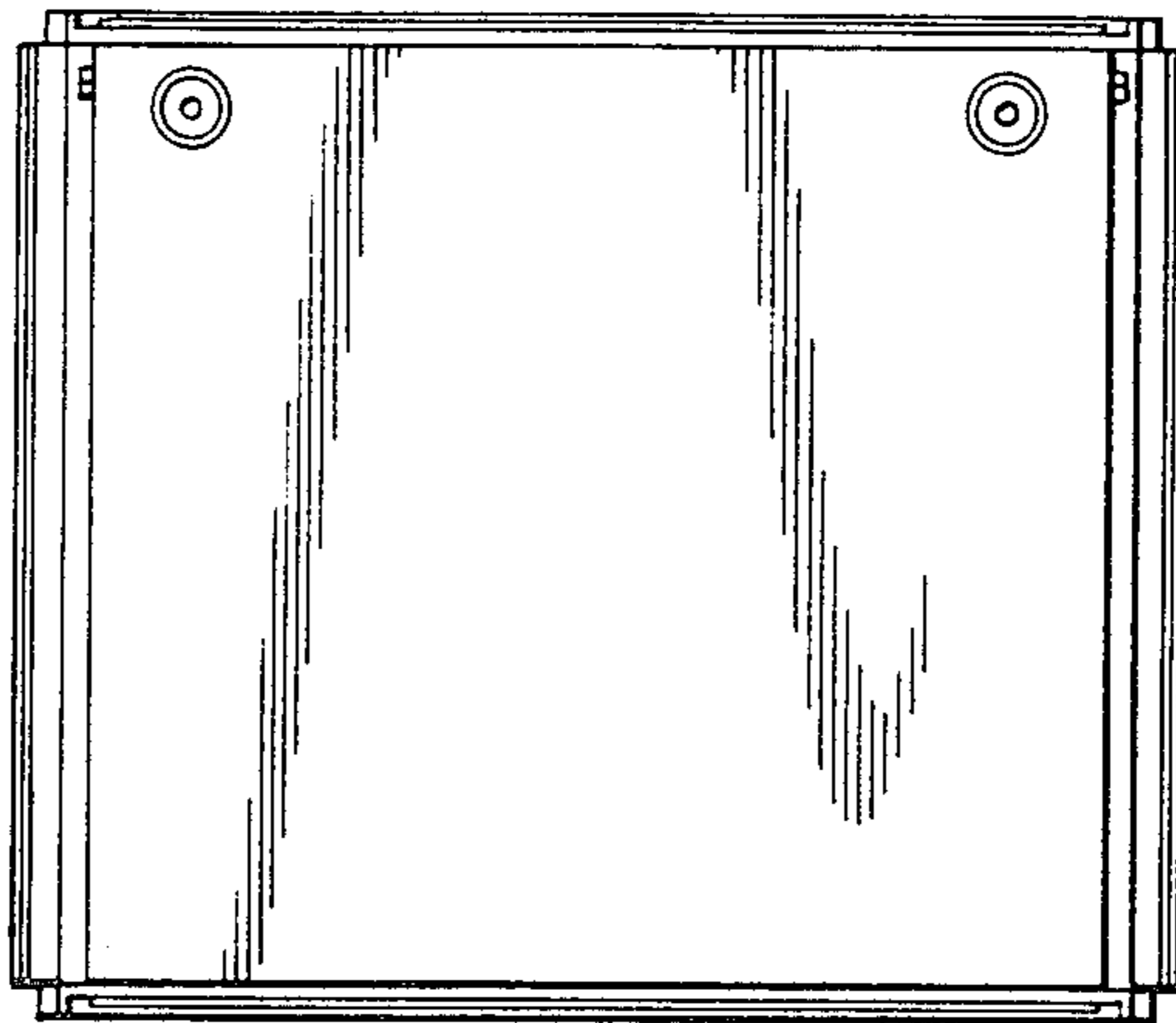


FIG. 3

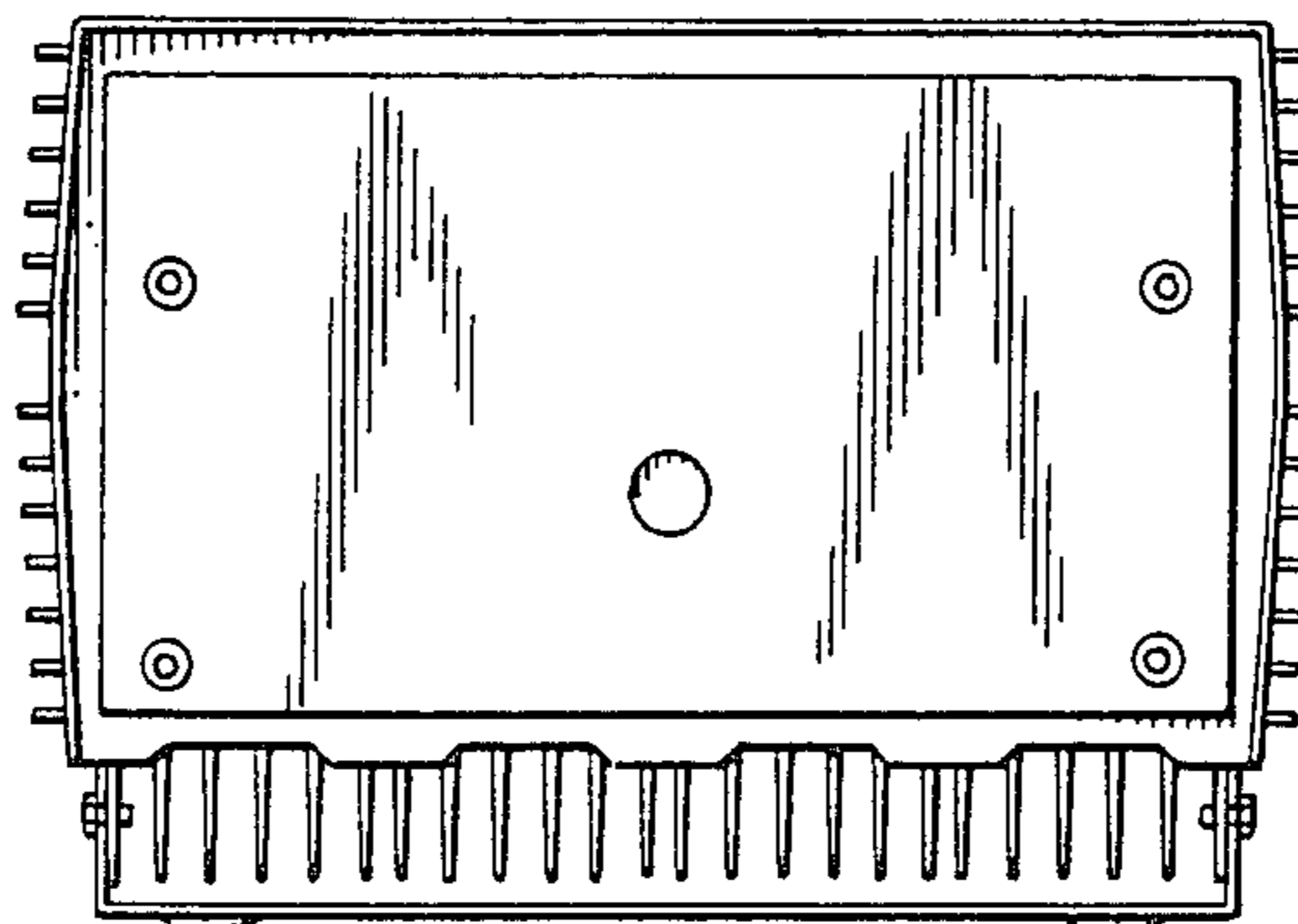


FIG. 4

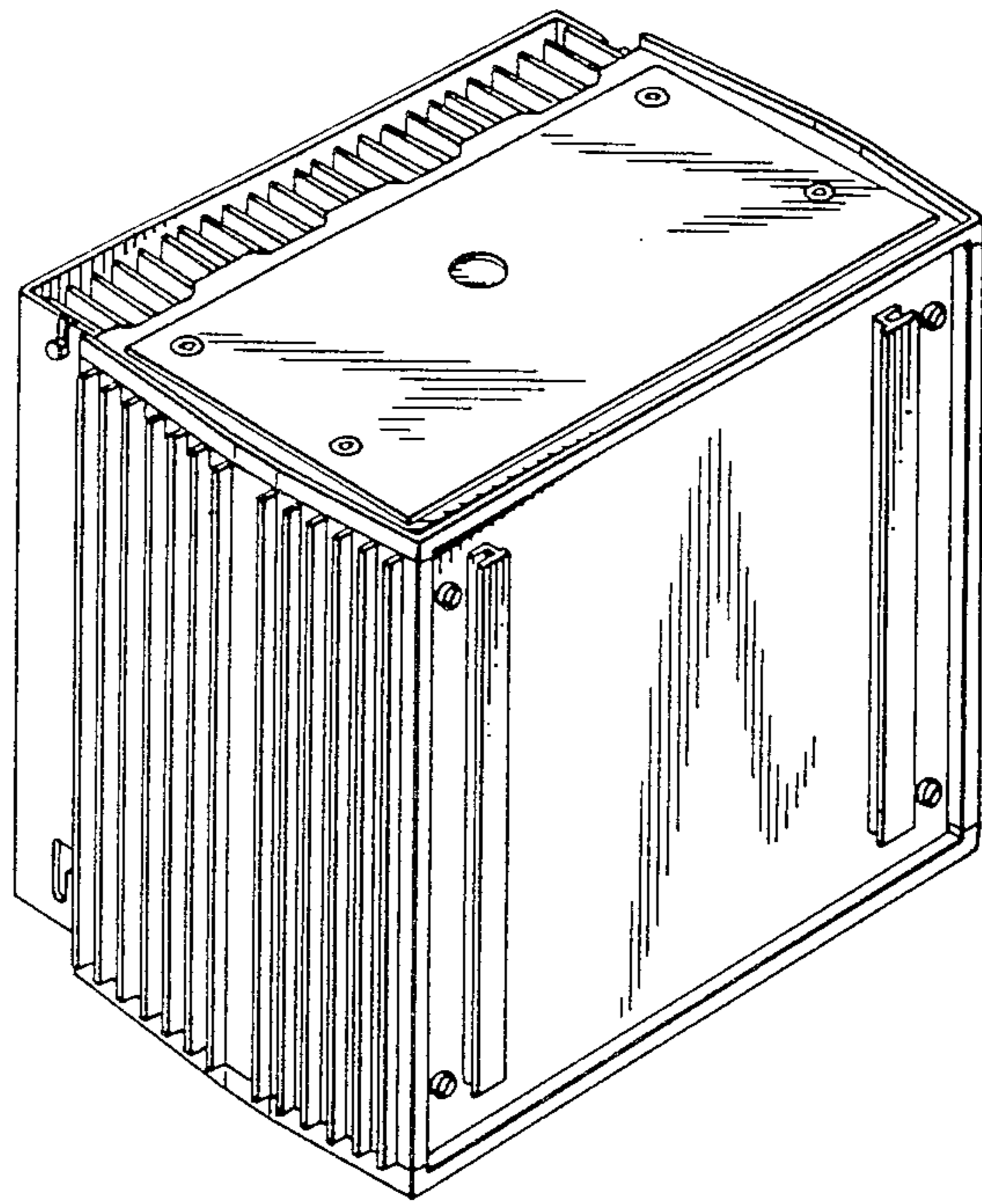


FIG. 5

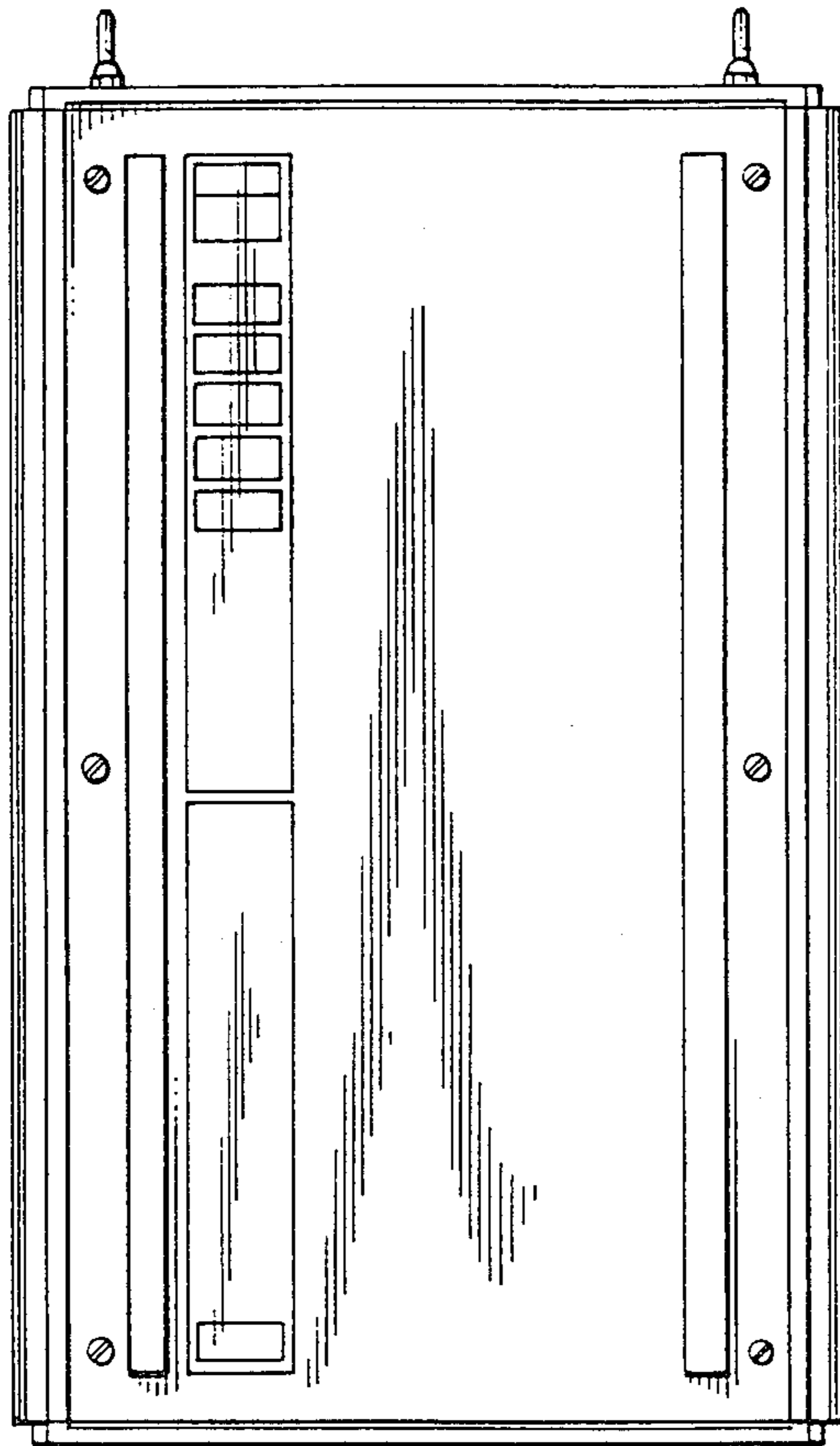


FIG. 6

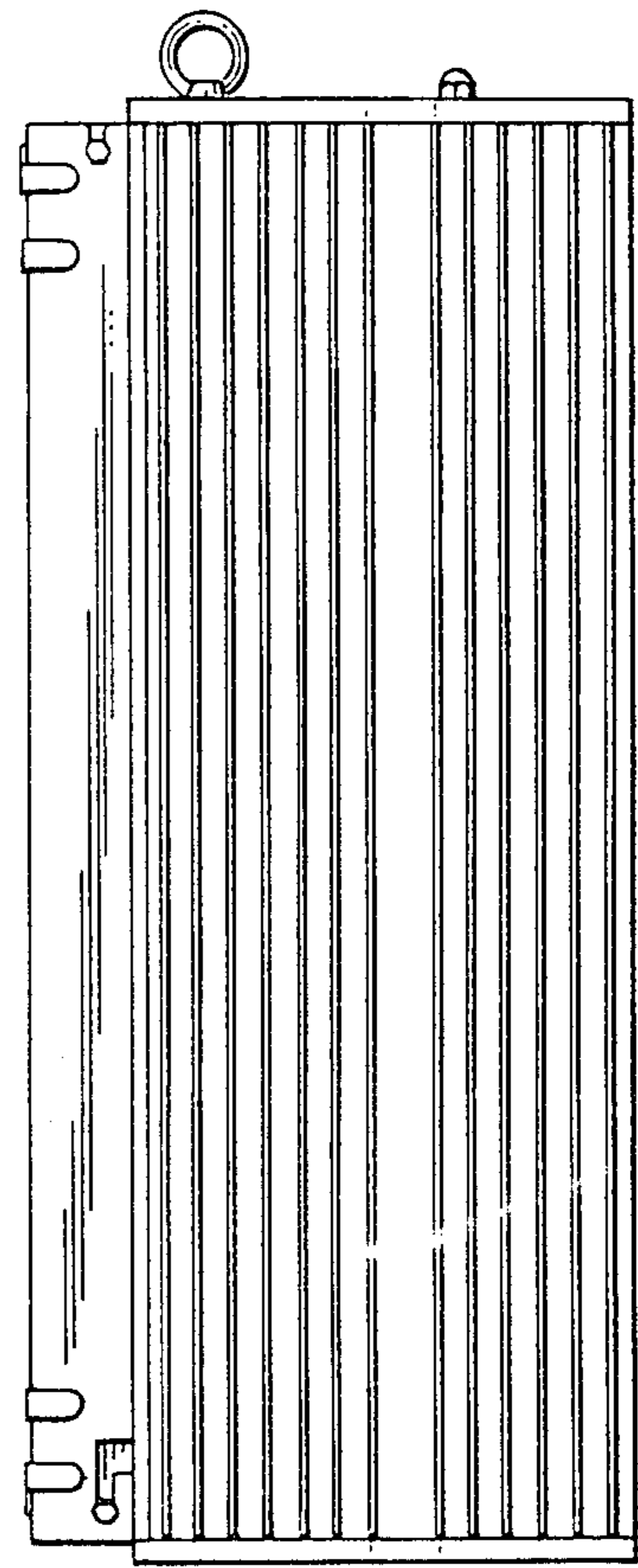


FIG. 7

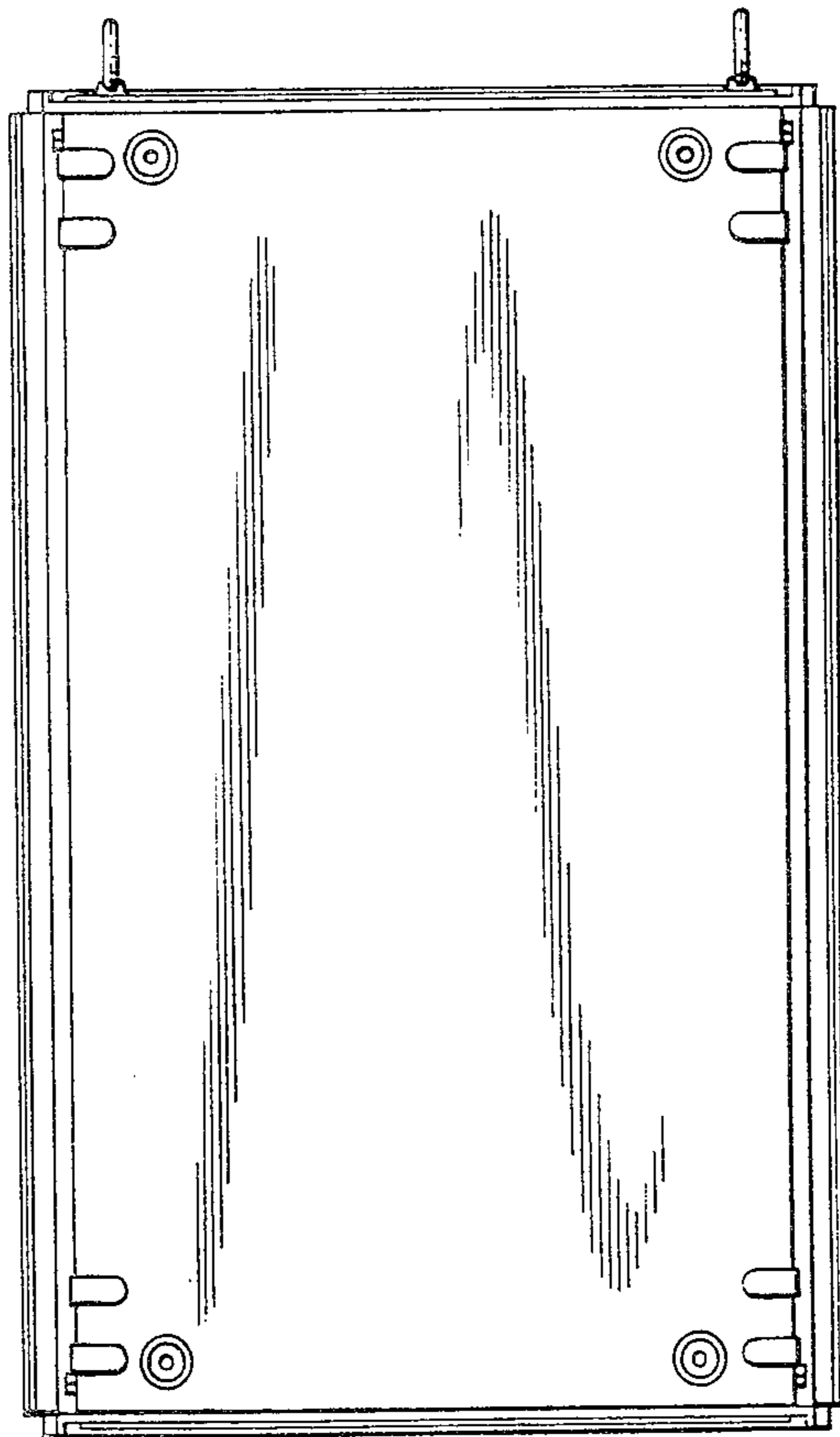


FIG. 8

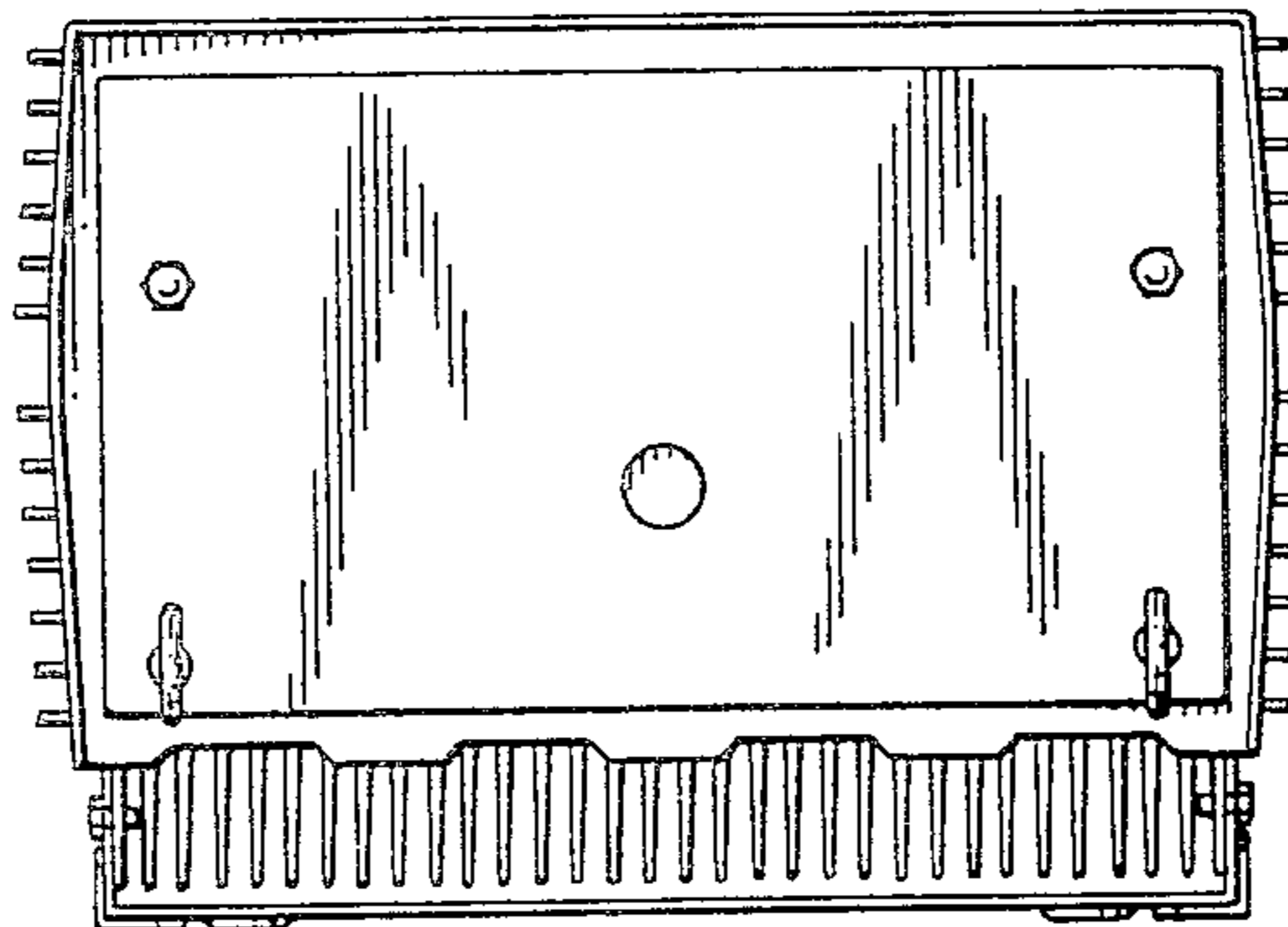


FIG. 9

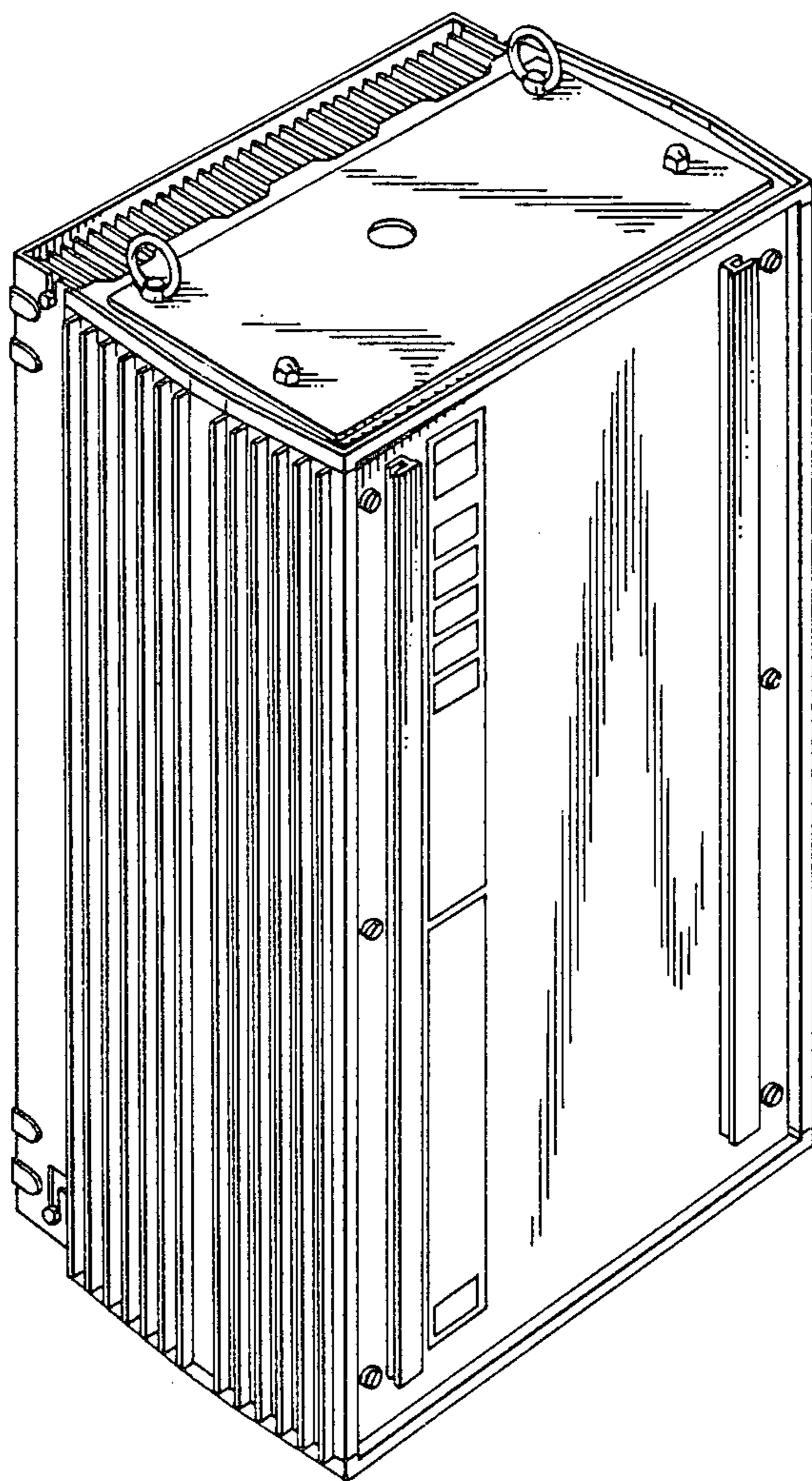


FIG. 10