

United States Patent [19]

Bussey, Jr.

[11] Patent Number: **Des. 281,308**

[45] Date of Patent: **** Nov. 12, 1985**

[54] **LOOSE FILL PACKING ELEMENT**

[76] Inventor: **Harry Bussey, Jr.**, P.O. Box 115,
Serpentine Rd., Navesink, N.J. 07752

[**] Term: **14 Years**

[21] Appl. No.: **490,876**

[22] Filed: **May 2, 1983**

[52] U.S. Cl. **D9/456**

[58] Field of Search D9/456, 499; D18/30;
206/584

[56] **References Cited**

U.S. PATENT DOCUMENTS

- D. 240,604 7/1976 Bussey, Jr. D9/456
- D. 254,123 2/1980 Bussey, Jr. D9/456
- D. 255,220 6/1980 Bussey, Jr. D9/456

- D. 274,312 6/1984 Witte D9/456
- 3,481,455 12/1969 Graham et al. 206/584 X
- 4,166,875 9/1979 Bussey, Jr. 206/584 X

Primary Examiner—Robert C. Spangler
Attorney, Agent, or Firm—Kenyon & Kenyon

[57] **CLAIM**

The ornamental design for a loose fill packing element, as shown.

DESCRIPTION

FIG. 1 is a perspective view of a loose fill packing element showing my new design;
FIG. 2 is a side elevational view;
FIG. 3 is a view looking from the right of FIG. 2;
FIG. 4 is a top plan view;
FIG. 5 is a view looking from the left of FIG. 2; and
FIG. 6 is a bottom plan view thereof.

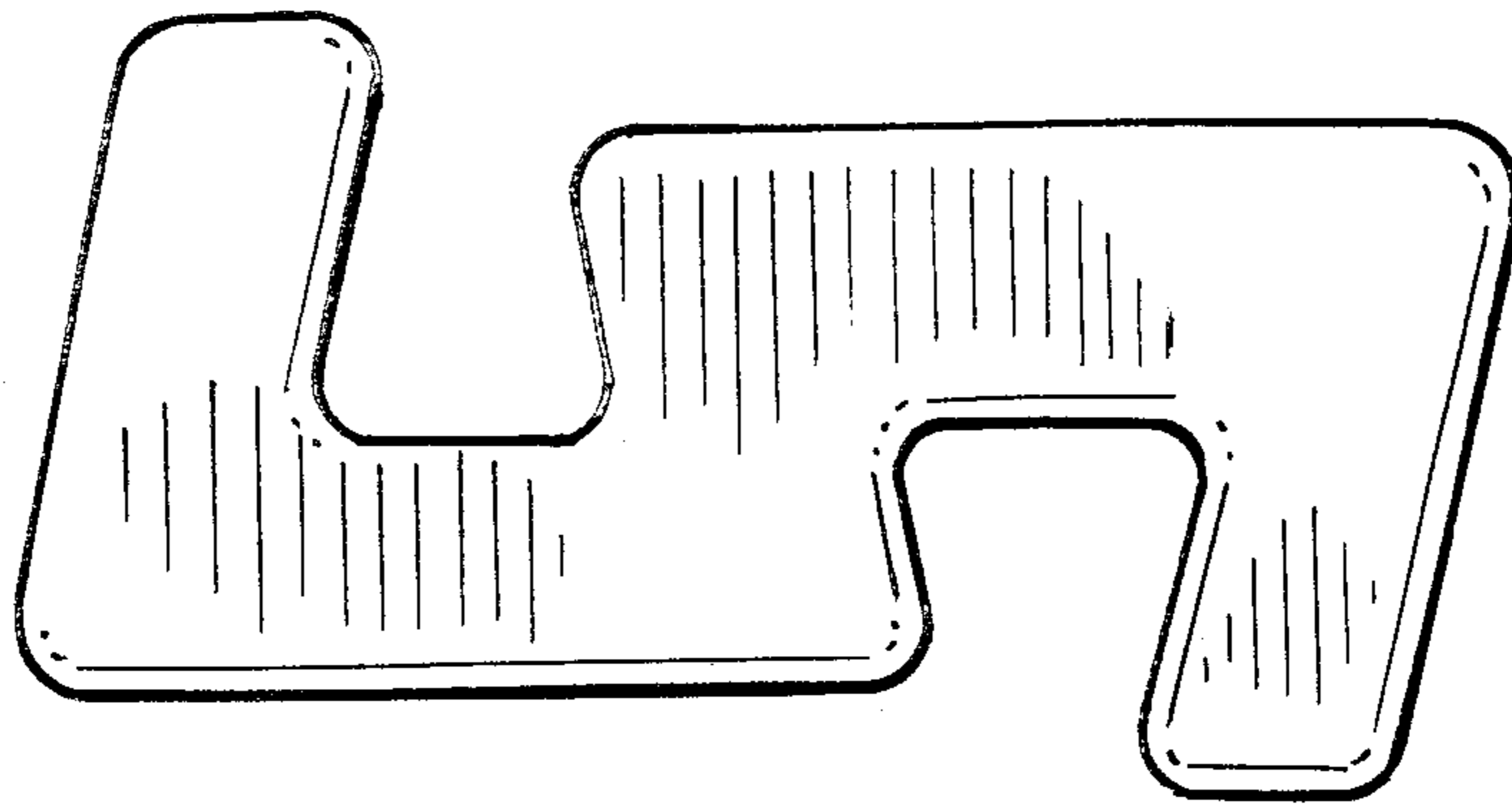


Fig. 1.

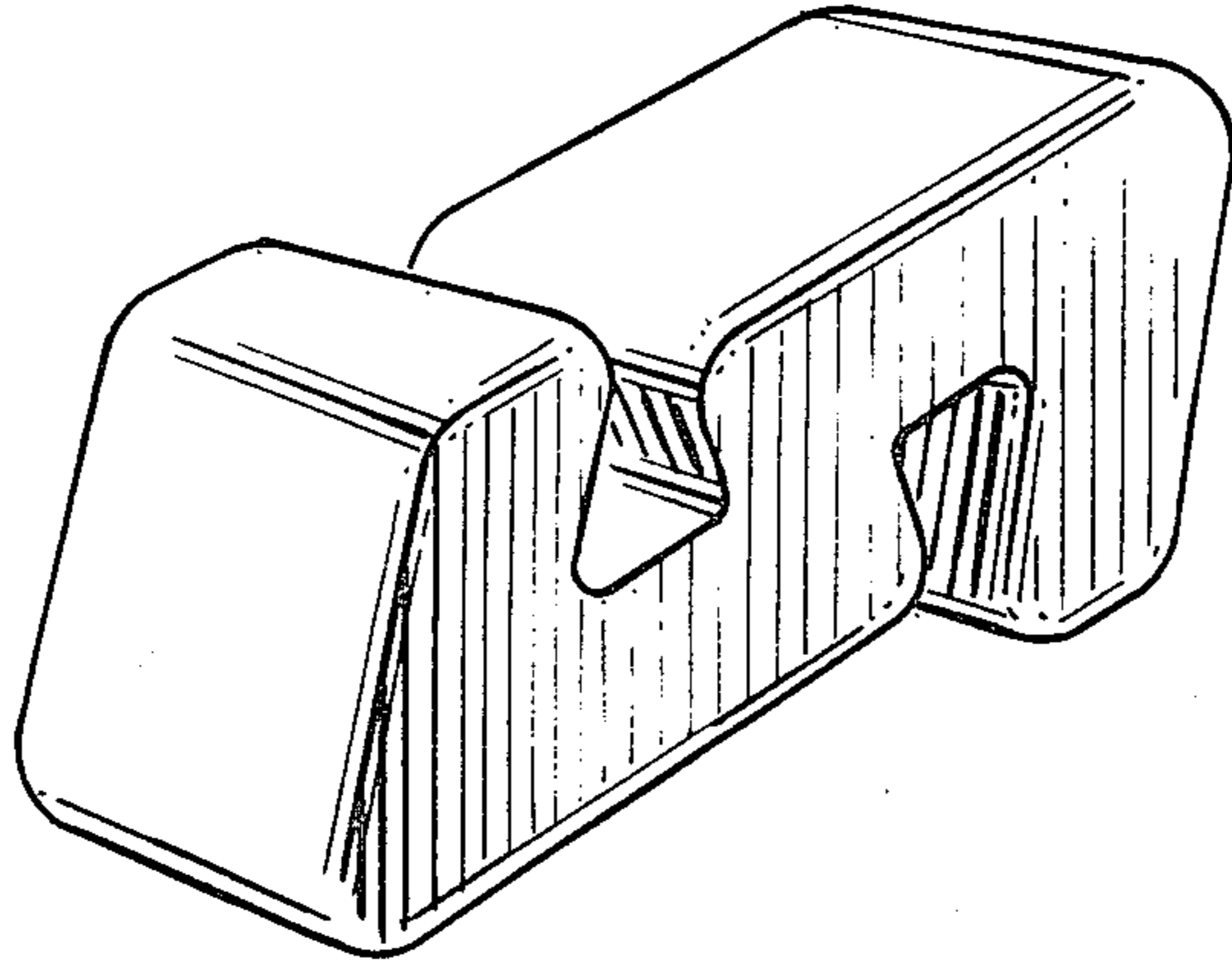


Fig. 2.

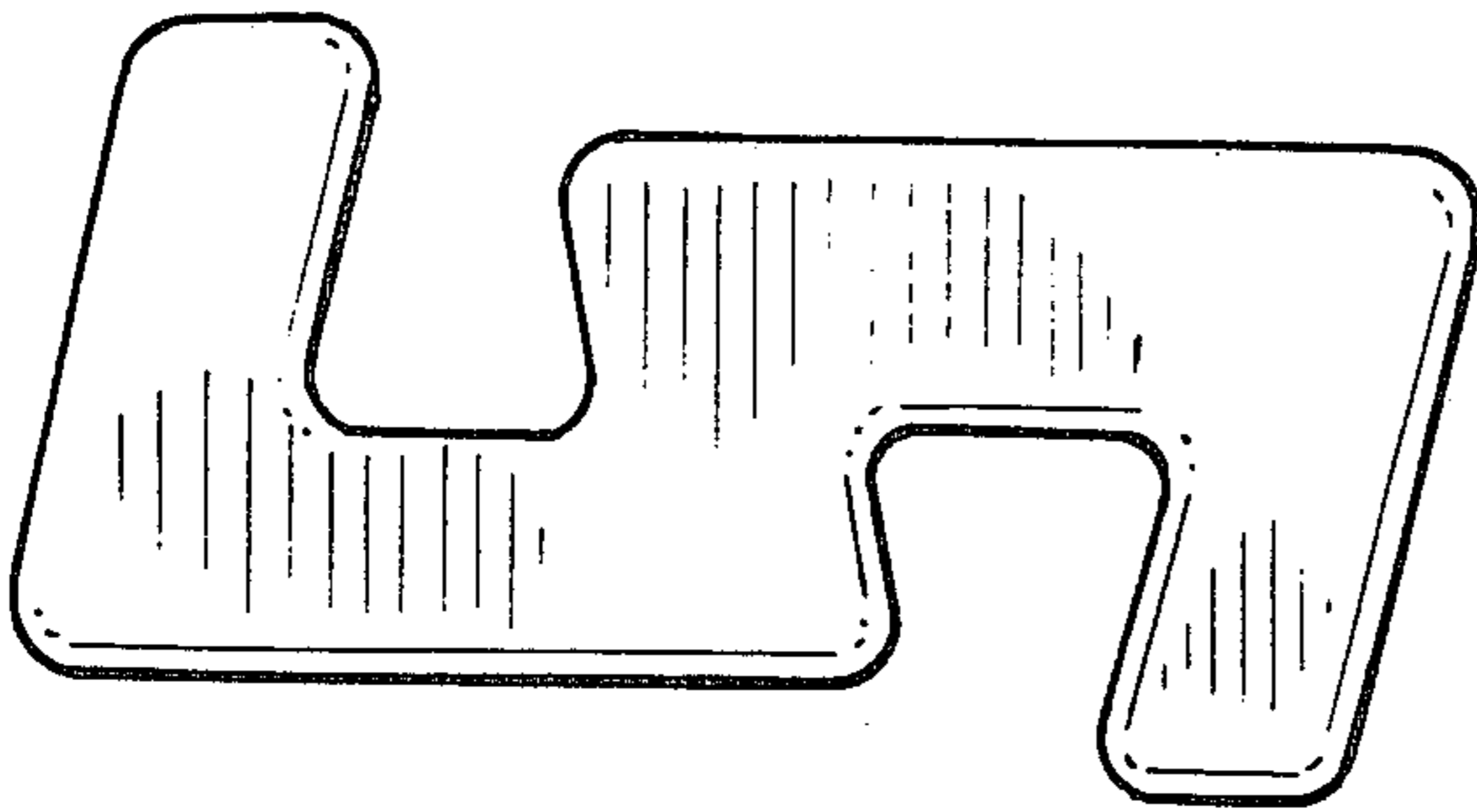


Fig. 3.

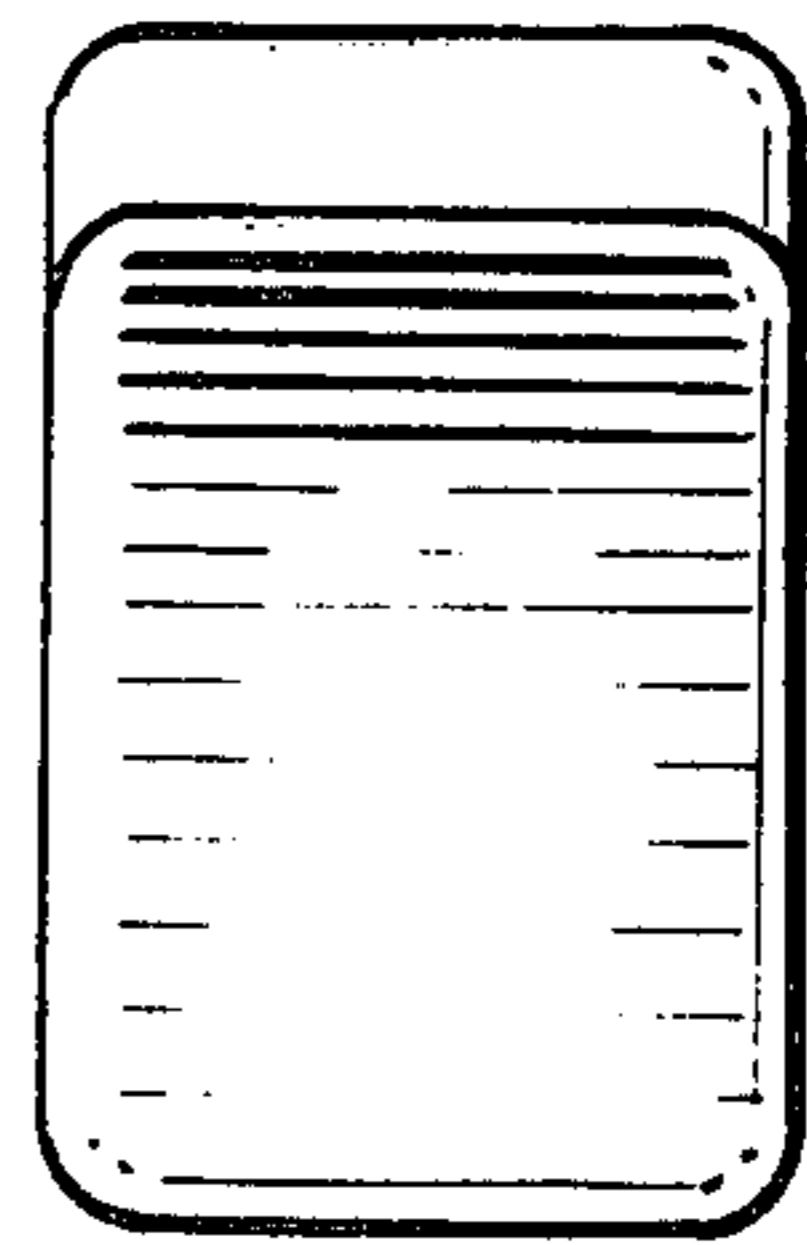


Fig. 4.

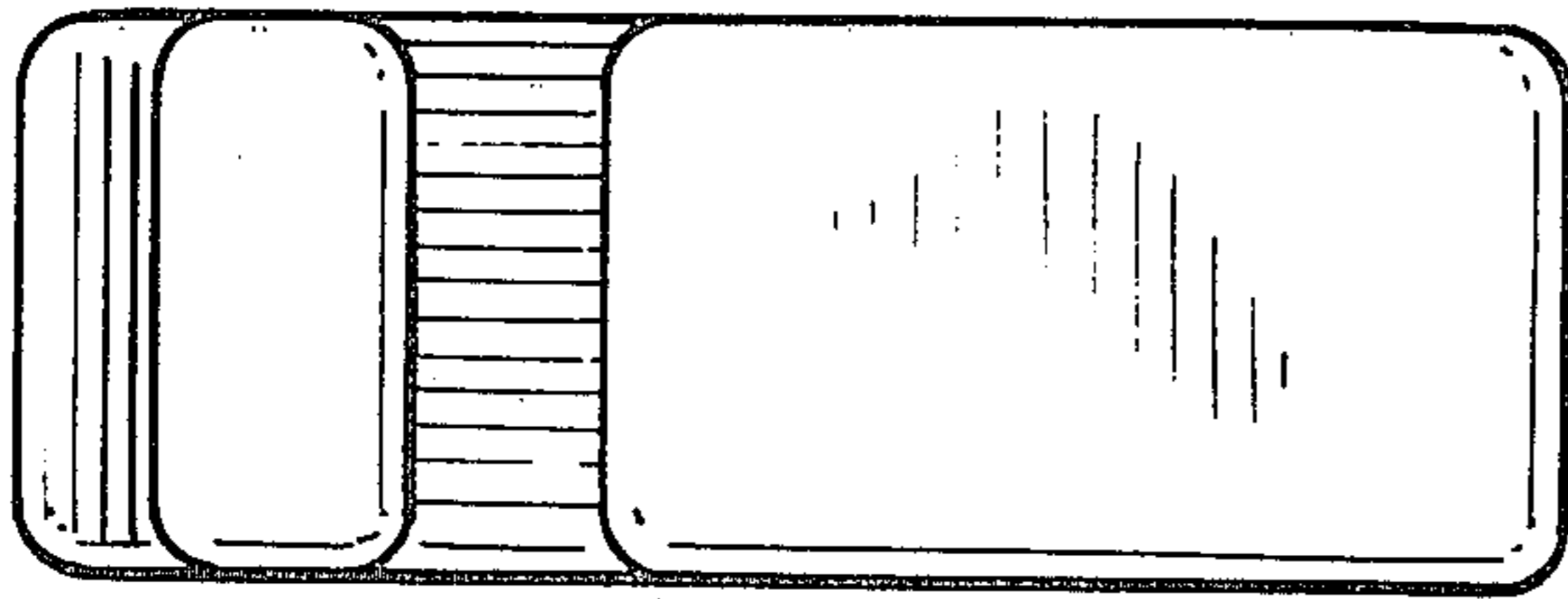


Fig. 5.

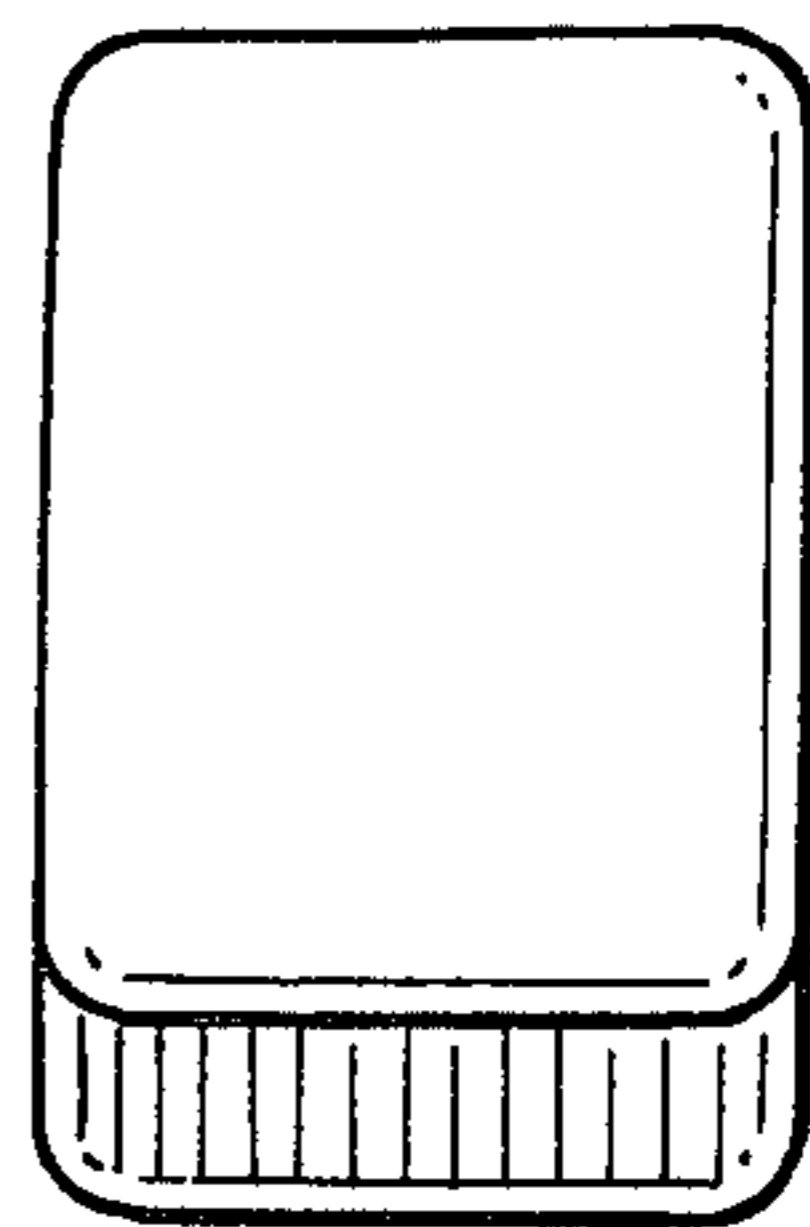


Fig. 6.

