

[54] SPAGHETTI MEASURING GAUGE

[76] Inventor: Dicksie Spolar, 17376 Filbert, Fontana, Calif. 92335

[**] Term: 14 Years

[21] Appl. No.: 674,356

[22] Filed: Nov. 21, 1984

Related U.S. Application Data

[63] Continuation of Ser. No. 379,884, May 19, 1982, abandoned.

[52] U.S. Cl. D7/50; D8/394; D10/71

[58] Field of Search D7/50; D10/71; 33/174 T, 179 R, 137 R; D8/394; 24/17 AP

[56] References Cited

U.S. PATENT DOCUMENTS

- D. 60,612 3/1922 Ford D10/71 X
- D. 186,403 10/1959 Wilson D7/50
- D. 222,878 1/1972 Schwartz D8/394

- 1,282,772 10/1918 Dinhofer 33/179
- 1,491,444 4/1924 Trahms D10/71 X
- 2,507,684 5/1950 Smith 33/137 R
- 4,214,369 7/1980 Wasik et al. 33/174 T
- 4,333,241 6/1982 Wasik et al. 33/174 T

FOREIGN PATENT DOCUMENTS

- 319335 7/1902 France 33/179
- 401523 7/1909 France 24/17 AP

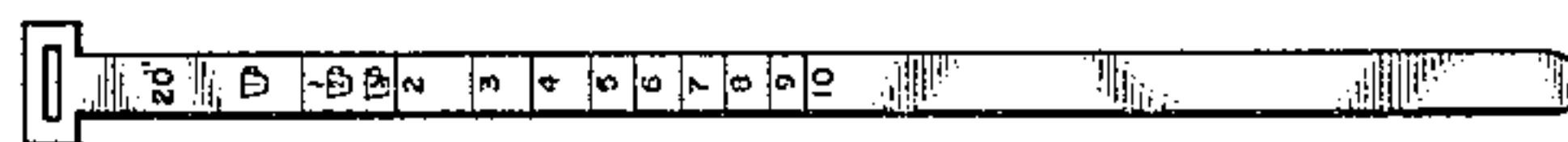
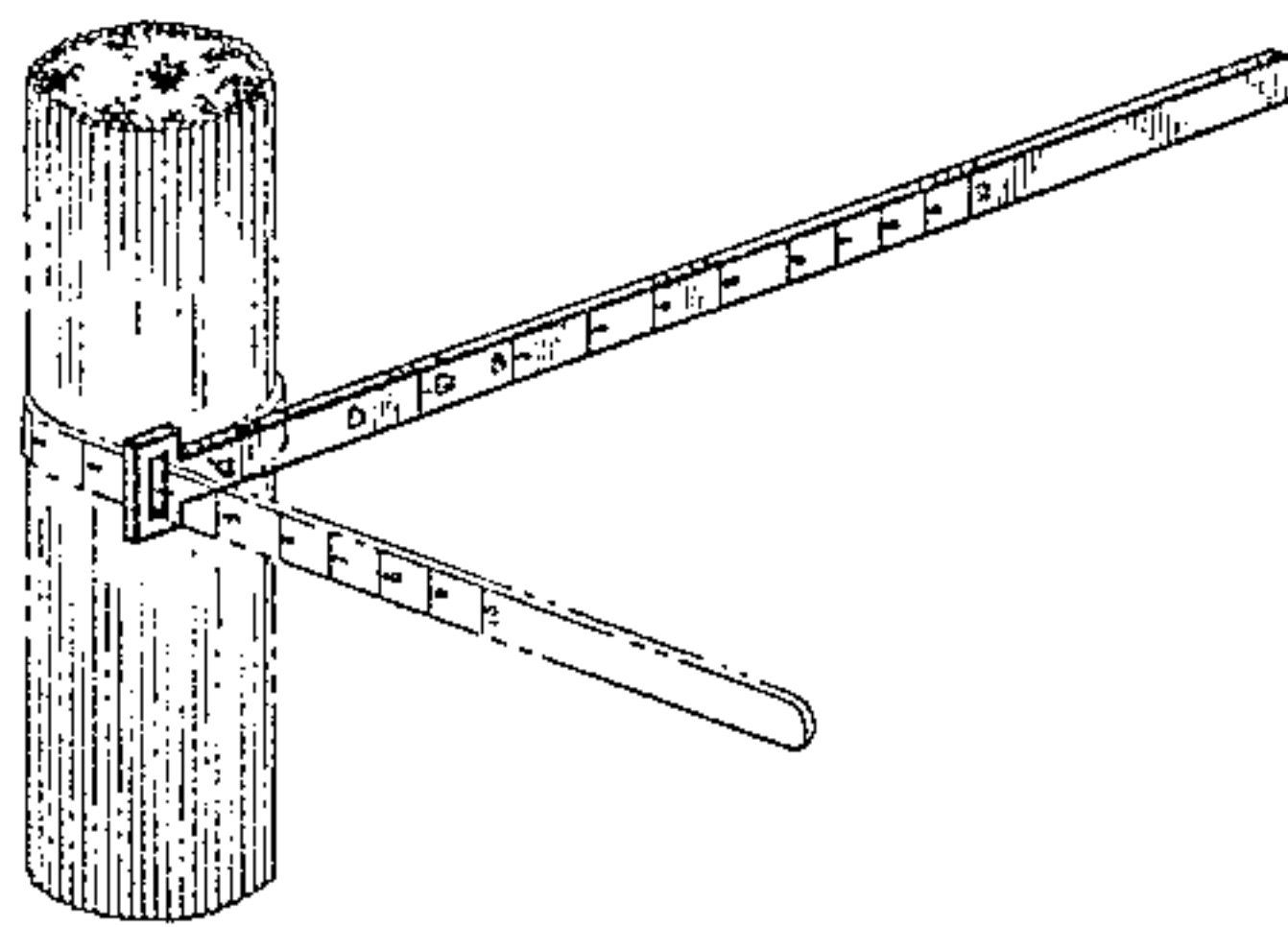
Primary Examiner—Winifred E. Herrmann
Attorney, Agent, or Firm—Hubbard, Stetina & Brunda

[57] CLAIM

The ornamental design for a spaghetti measuring gauge, as shown and described.

DESCRIPTION

FIG. 1, is a perspective view of a spaghetti measuring gauge showing my new design;
 FIG. 2, is a front elevational view;
 FIG. 3, is a left side elevational view;
 FIG. 4, is a right side elevational view;
 FIG. 5, is a top plan view;
 FIG. 6, is a rear elevational view.



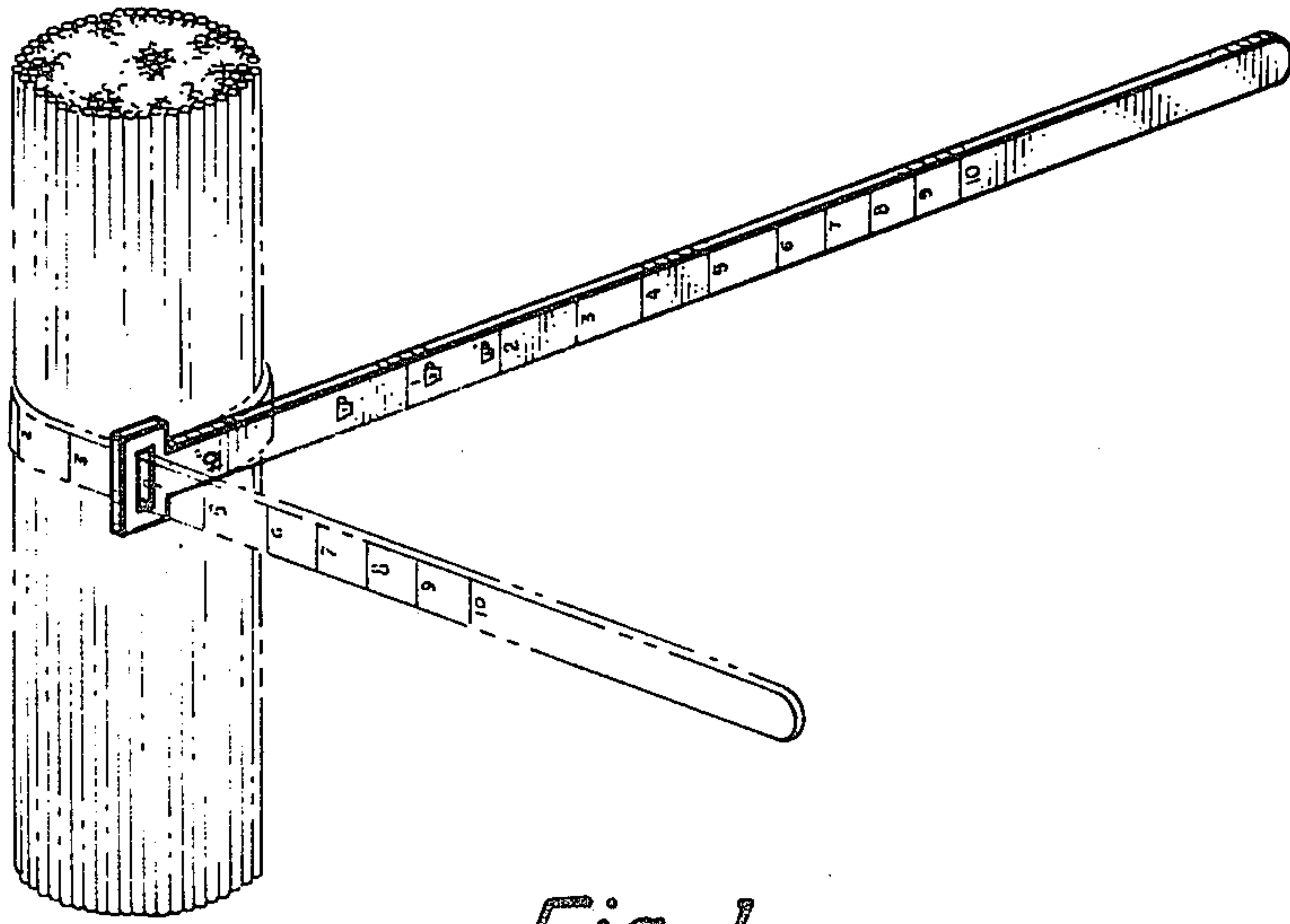


Fig. 1.

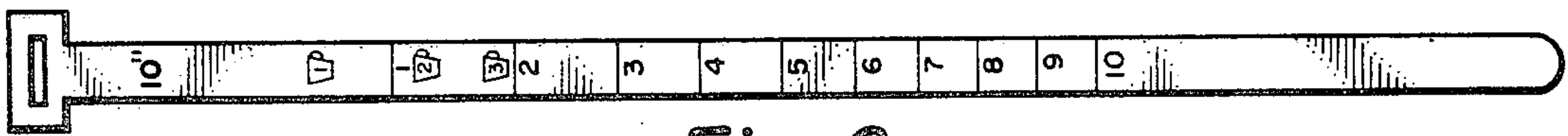


Fig. 2.



Fig. 3.

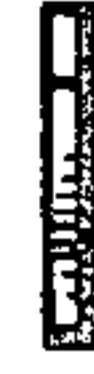


Fig. 4.



Fig. 5.

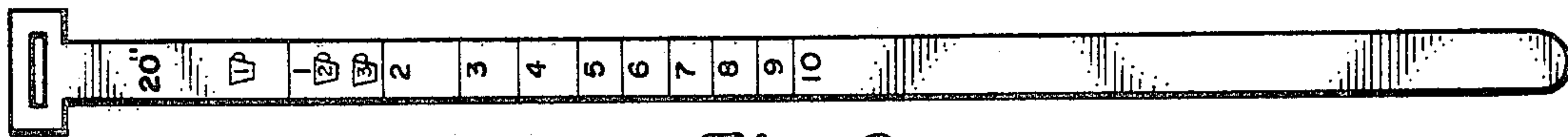


Fig. 6.