

[54] **BASE FOR SUPPORTING AN EXHIBITION
STALL UPRIGHT POST**

[75] **Inventor: Harry Glück, Vienna, Austria**

[73] **Assignee: Ellesse International S.p.A., Ellera
Umbra, Italy**

[**] **Term: 14 Years**

[21] **Appl. No.: 434,356**

[22] **Filed: Oct. 14, 1982**

[52] **U.S. Cl. D6/495**

[58] **Field of Search D6/491, 495**

[56] **References Cited**

U.S. PATENT DOCUMENTS

D. 156,439 12/1949 Lebensfeld D6/495
D. 211,984 8/1968 Billin D6/495
D. 230,682 3/1974 Stamm D6/495

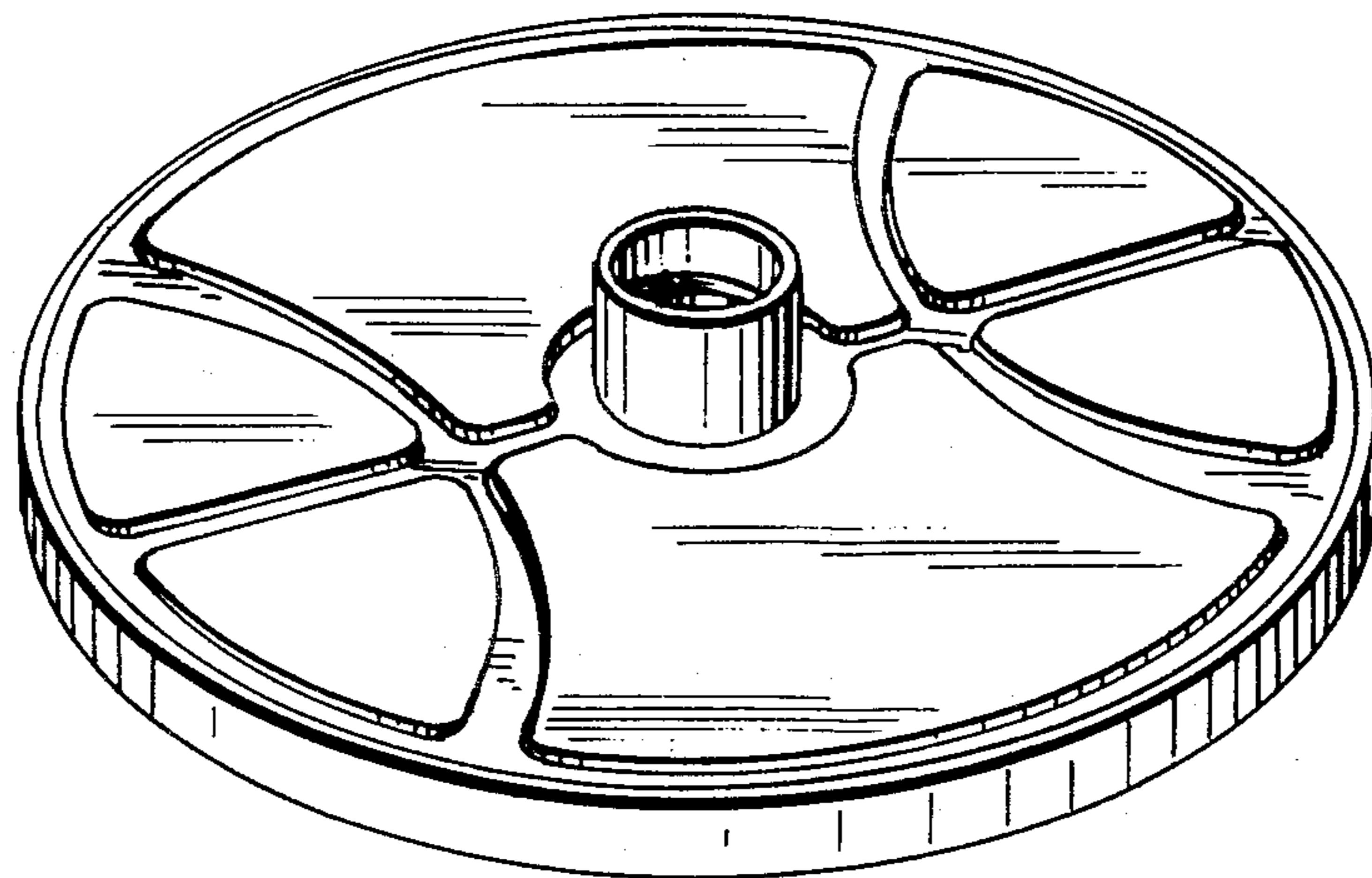
Primary Examiner—Bruce W. Dunkins

[57] **CLAIM**

The ornamental design for a base for supporting an exhibition stall upright post, substantially as shown and described.

DESCRIPTION

FIG. 1 is a bottom plan view of the base showing my new design;
FIG. 2 is a top plan view thereof;
FIG. 3 is a side elevational view thereof; and,
FIG. 4 is a top perspective view thereof.



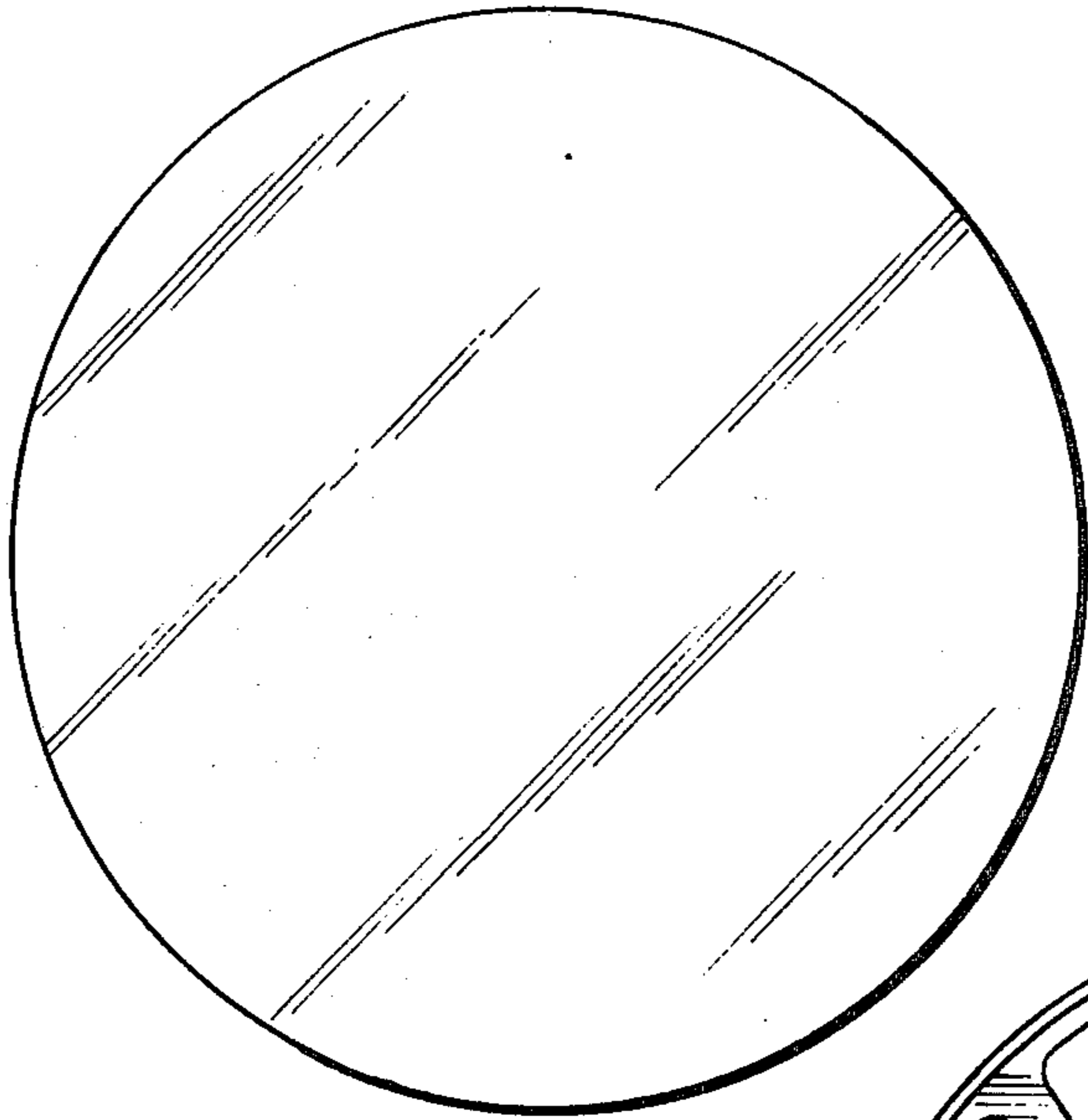


FIG. 1

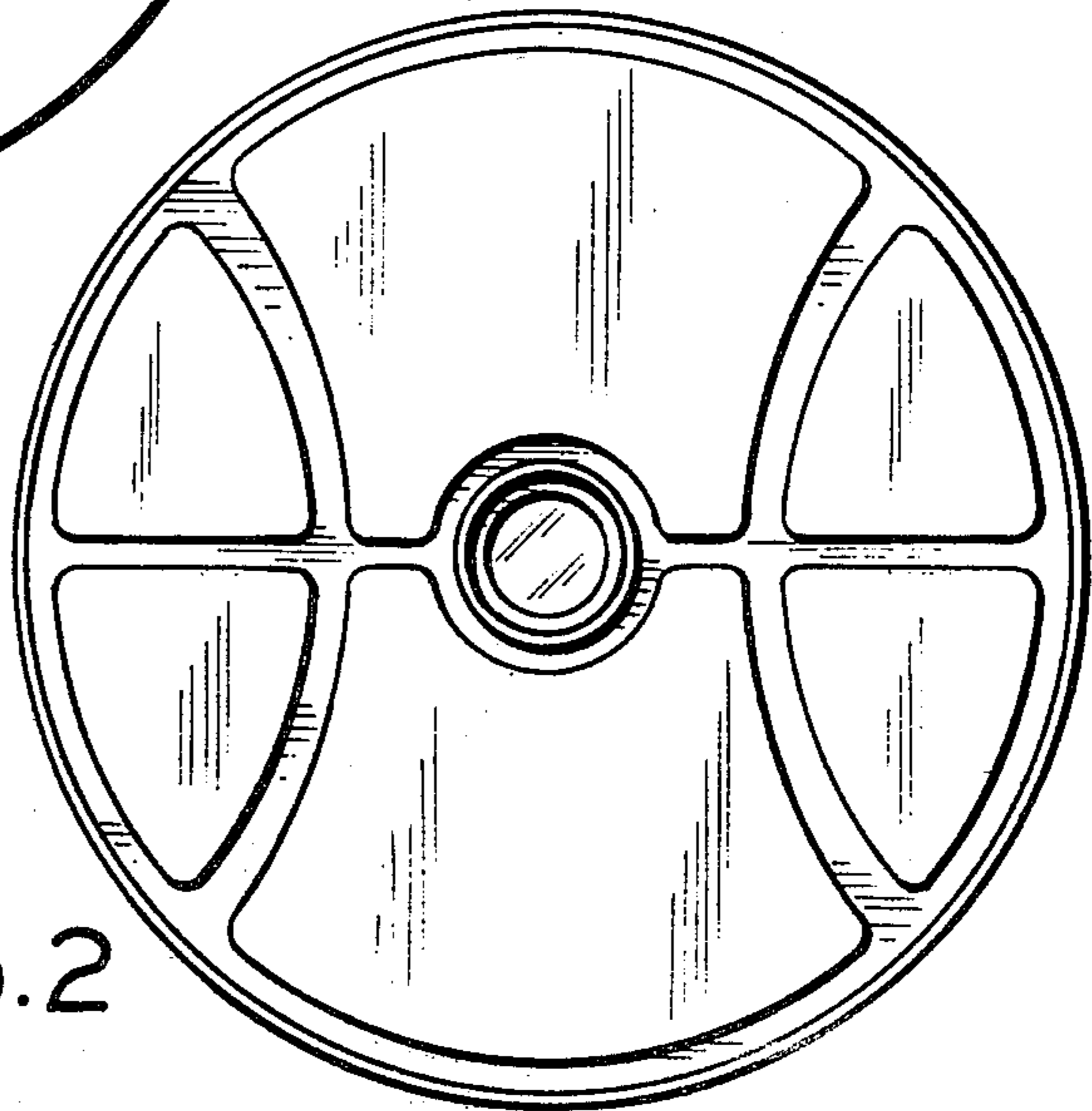


FIG. 2



FIG. 3

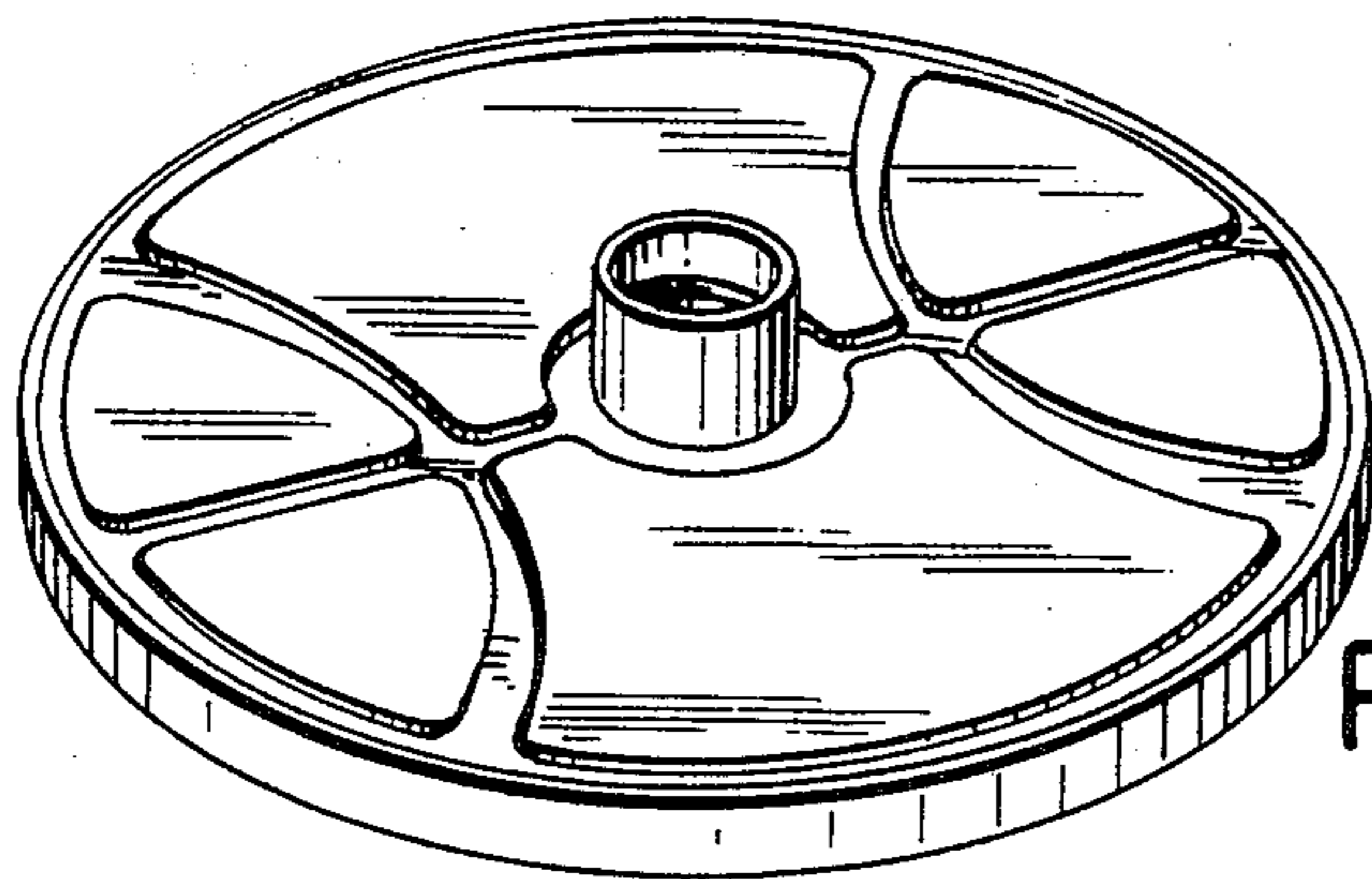


FIG. 4