

[54] WORKTABLE OR SIMILAR ARTICLE

[75] Inventor: Hartmut H. Esslinger, Altensteig, Fed. Rep. of Germany

[73] Assignee: Konig & Neurath Kommanditgesellschaft, Fed. Rep. of Germany

[**] Term: 14 Years

[21] Appl. No.: 465,445

[22] Filed: Feb. 10, 1983

[52] U.S. Cl. D6/484; D6/423

[58] Field of Search D6/422, 423, 479, 449, D6/477, 480, 483, 484, 486

[56] References Cited

U.S. PATENT DOCUMENTS

D. 202,194 9/1965 Propst et al. D6/479 X

D. 238,842 2/1976 Szucs D6/422
D. 239,227 3/1976 Vogt D6/423 X
D. 263,530 3/1982 Liljequist D6/422 X
D. 266,467 10/1982 YlänköD6 474 X/

Primary Examiner—Bruce W. Dunkins
Attorney, Agent, or Firm—Thomas W. Speckman

[57] CLAIM

The ornamental design for a worktable or similar article, substantially as shown and described.

DESCRIPTION

FIG. 1 is a perspective view of one embodiment of the worktable or similar article;

FIG. 2 is a side view of the worktable or similar article shown in FIG. 1; and

FIG. 3 is a front view of the worktable or similar article shown in FIG. 1.

The side of the worktable not shown is a mirror image of the side shown in FIG. 2.

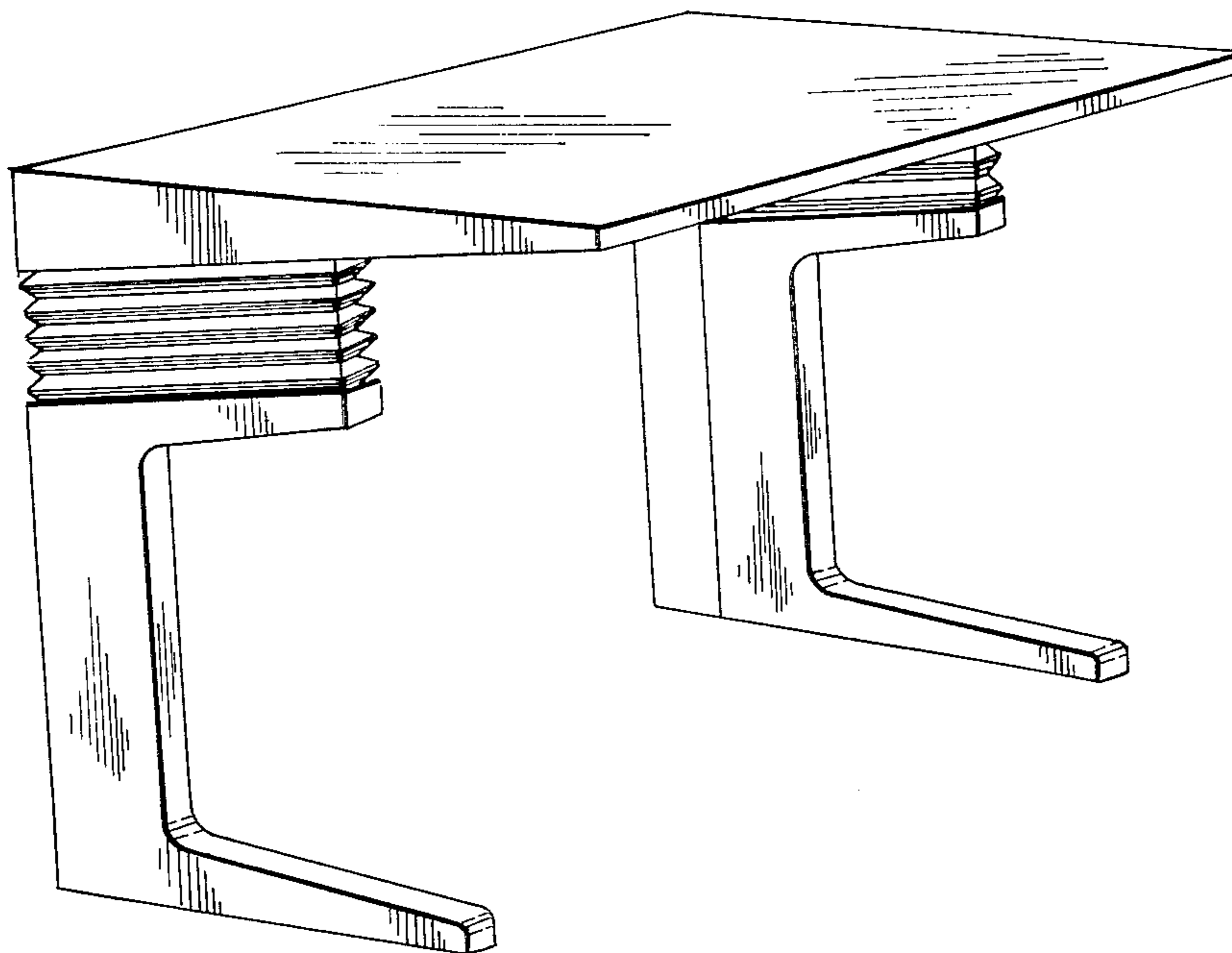


FIG-1

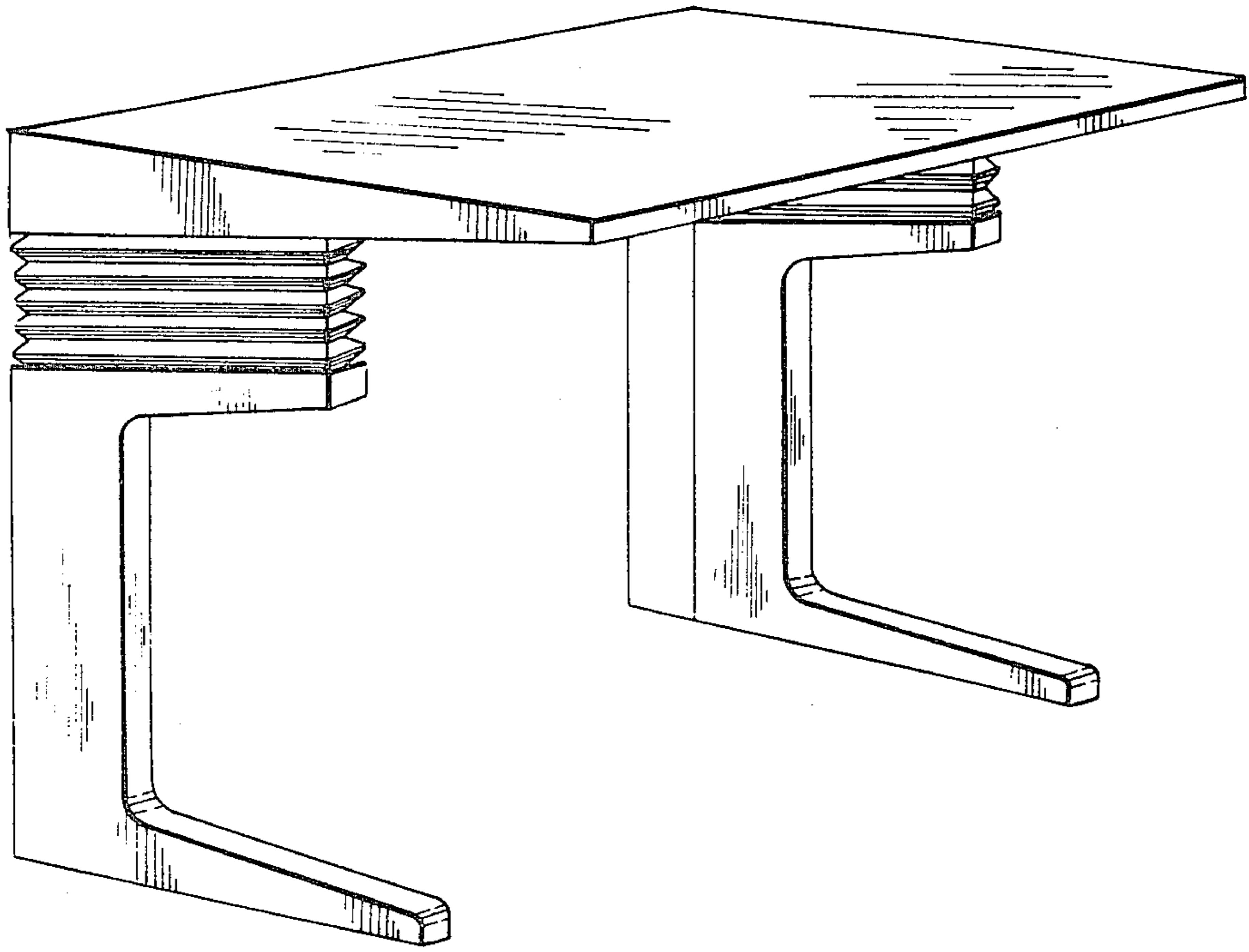


FIG-2

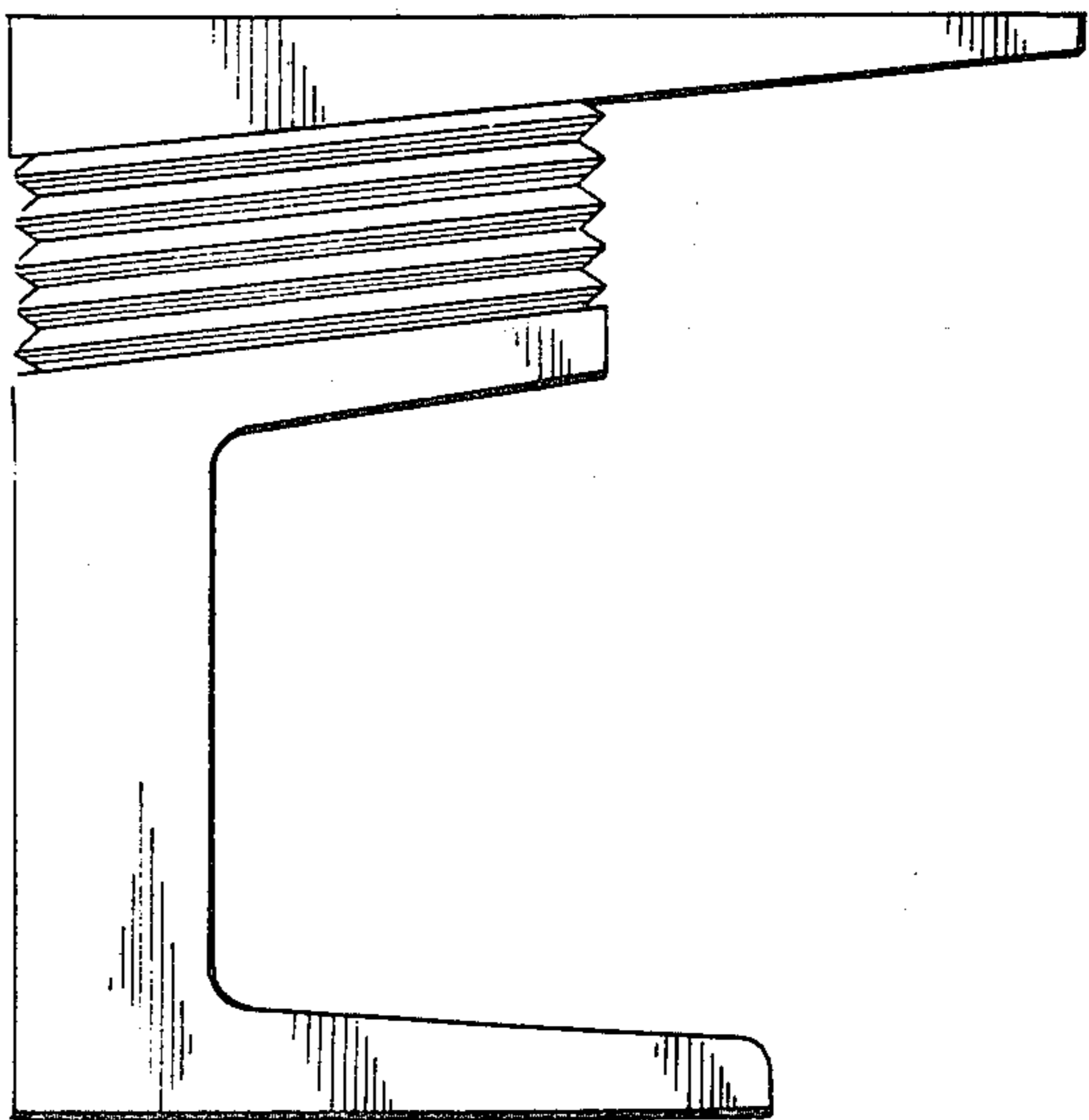


FIG-3

