

[54] COMBINED PRINTER AND PAPER STAND

[76] Inventor: Maurice H. Gunyon, 402 N. Branson St., Marion, Ind. 46952

[**] Term: 14 Years

[21] Appl. No.: 535,319

[22] Filed: Sep. 23, 1983

[52] U.S. Cl. D6/474

[58] Field of Search D6/396, 397, 449, 406, D6/419, 474, 475, 477, 480, 350; D19/92; 108/92, 93, 96, 111, 59; 312/196; 248/442.2

[56] References Cited

U.S. PATENT DOCUMENTS

D. 192,525	4/1962	Campbell et al.	D6/406
D. 206,305	11/1966	Lynch	D6/310
2,574,575	11/1951	MacIntyre	248/442.2
4,313,112	1/1982	Foster	108/92 X

OTHER PUBLICATIONS

CRT Terminal Stands Catalog by Input-EZ Price List, Jan. 11, 1982, inside front cover model #S30-4, top left on page.

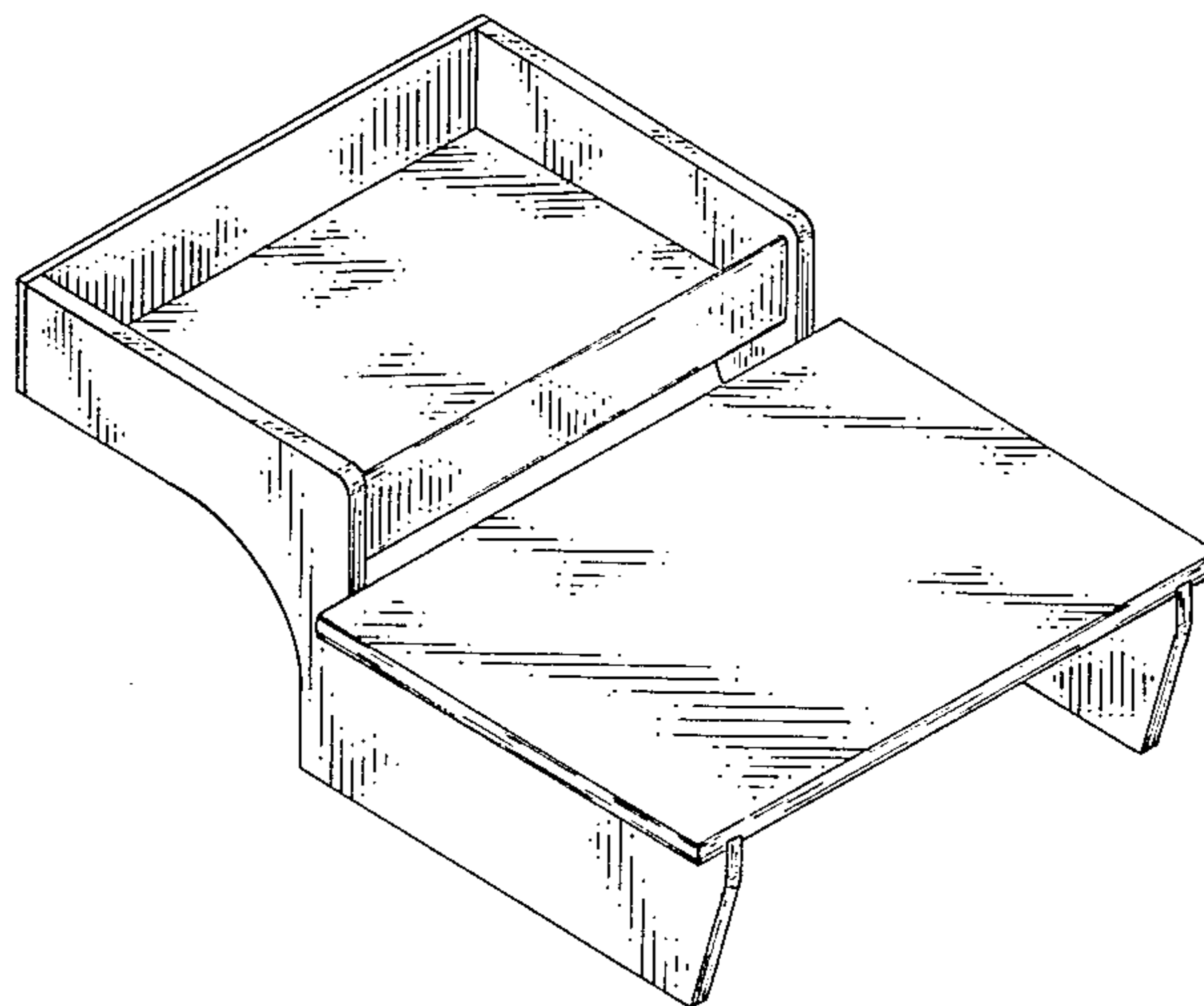
Primary Examiner—Carmen H. Vales
Attorney, Agent, or Firm—George A. Gust

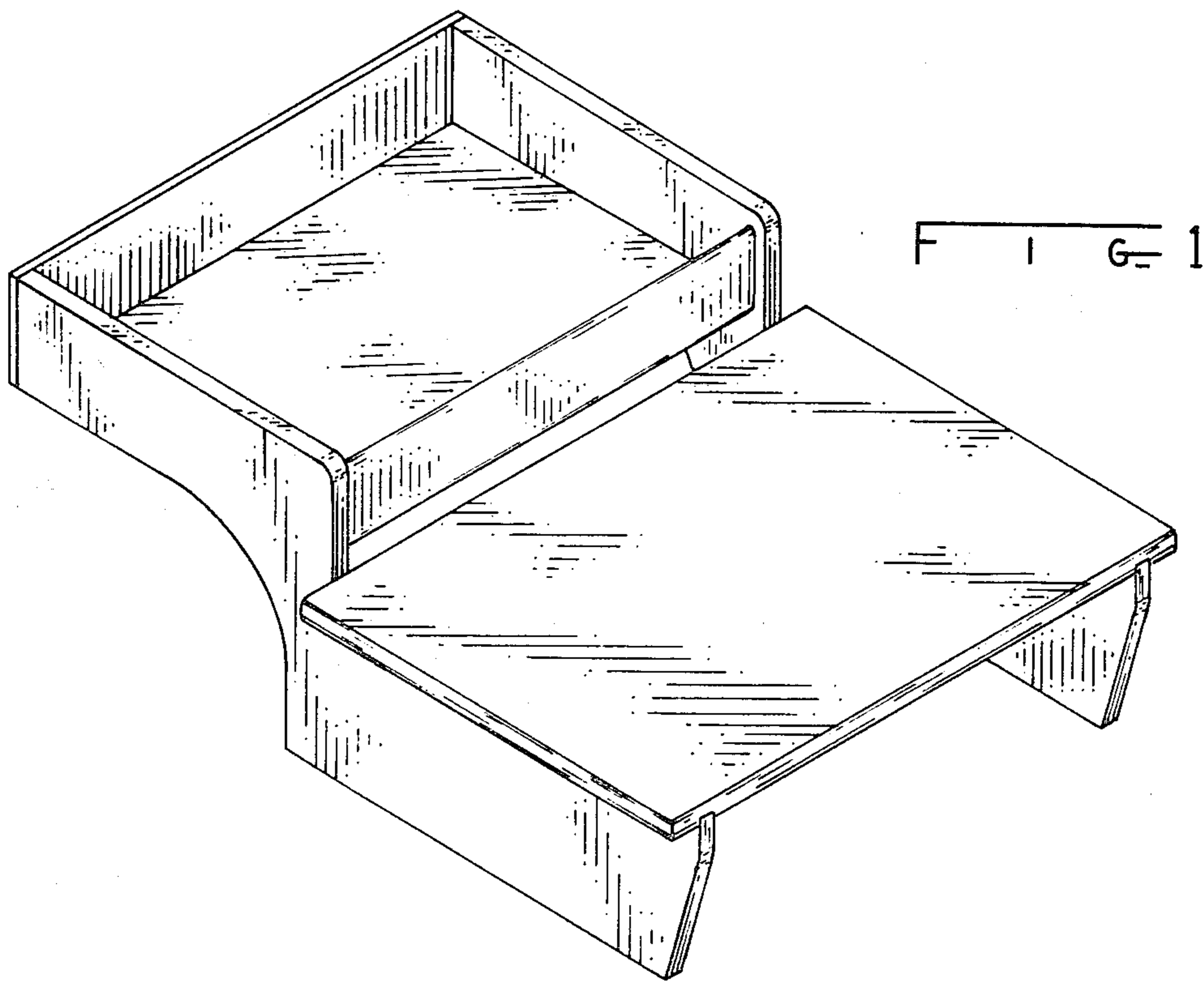
[57] CLAIM

The ornamental design of combined printer and paper stand, as shown and described.

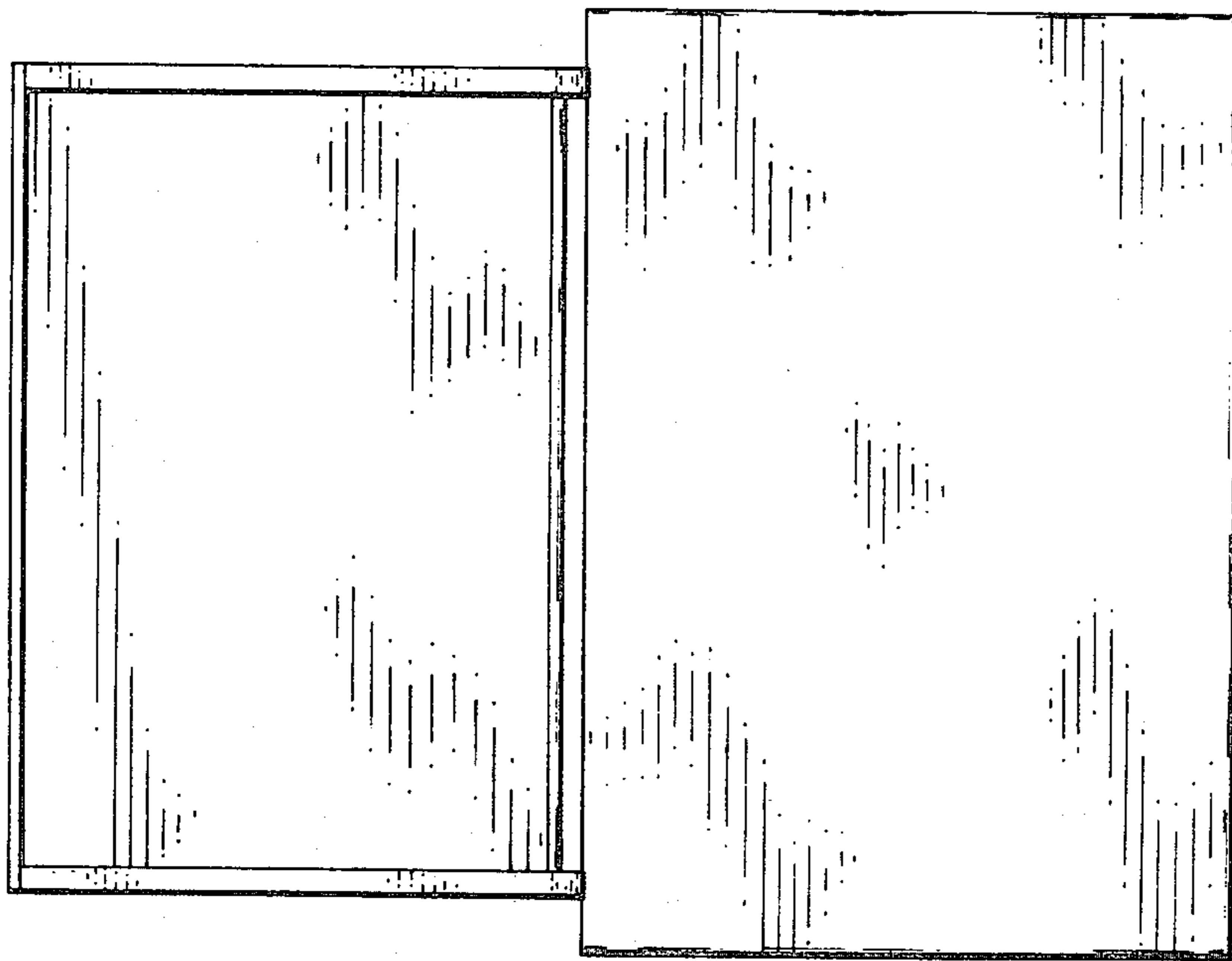
DESCRIPTION

FIG. 1 is a perspective view of a combined printer and paper stand showing my new design; FIG. 2 is a top plan view thereof; FIG. 3 is a left side elevational view, the opposite side being a mirror image thereof; FIG. 4 is a front elevational view thereof; FIG. 5 is a rear elevational view thereof; and FIG. 6 is a bottom plan view thereof.

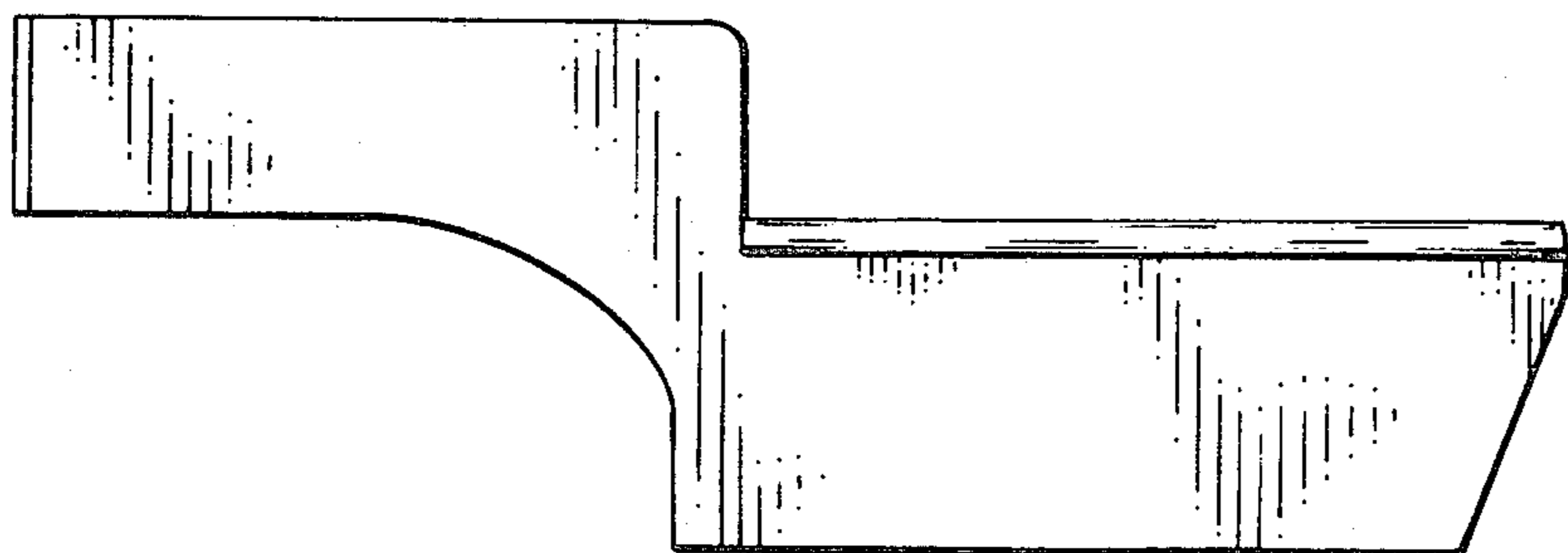




F I G 1



F I G 2



F I G 3

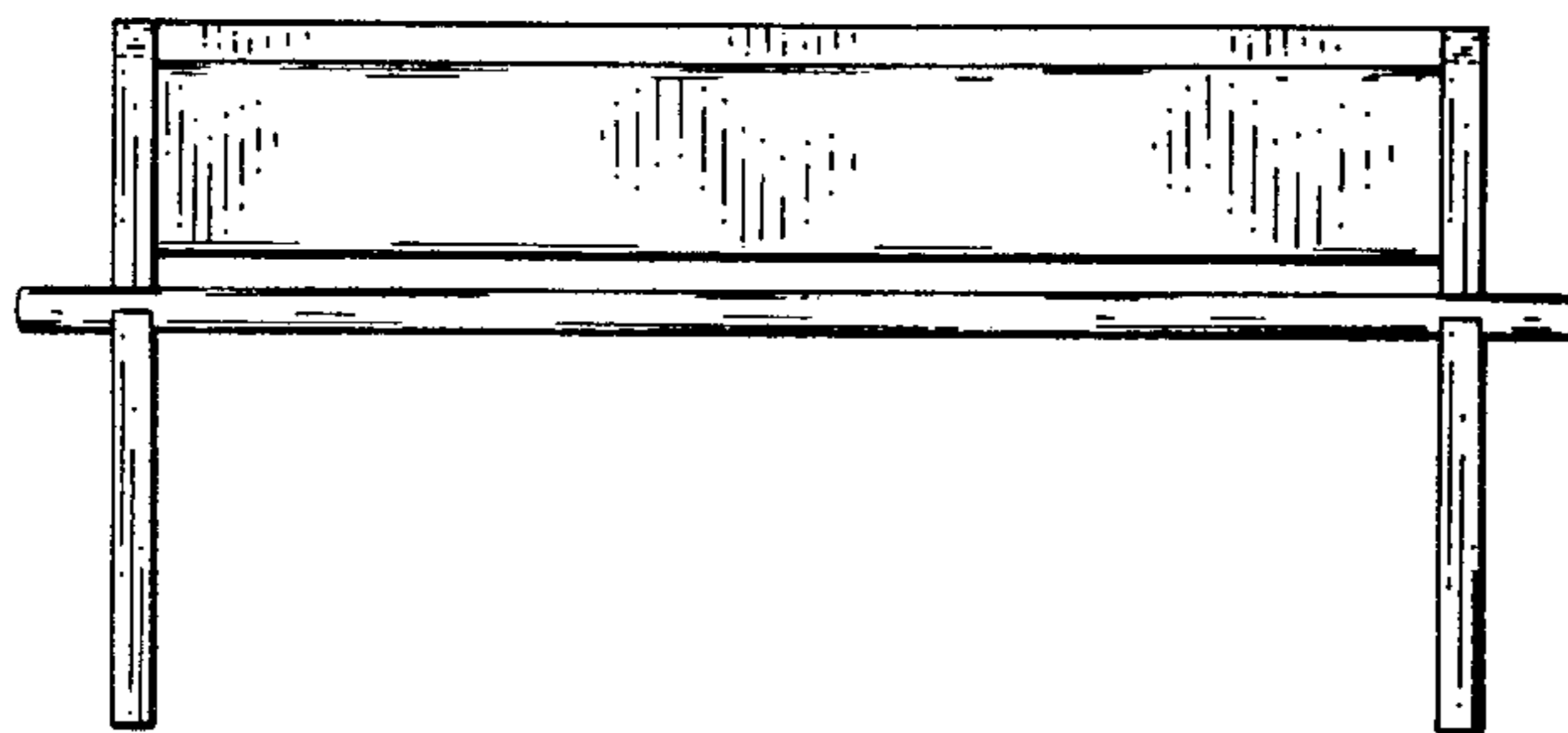


FIG. 4

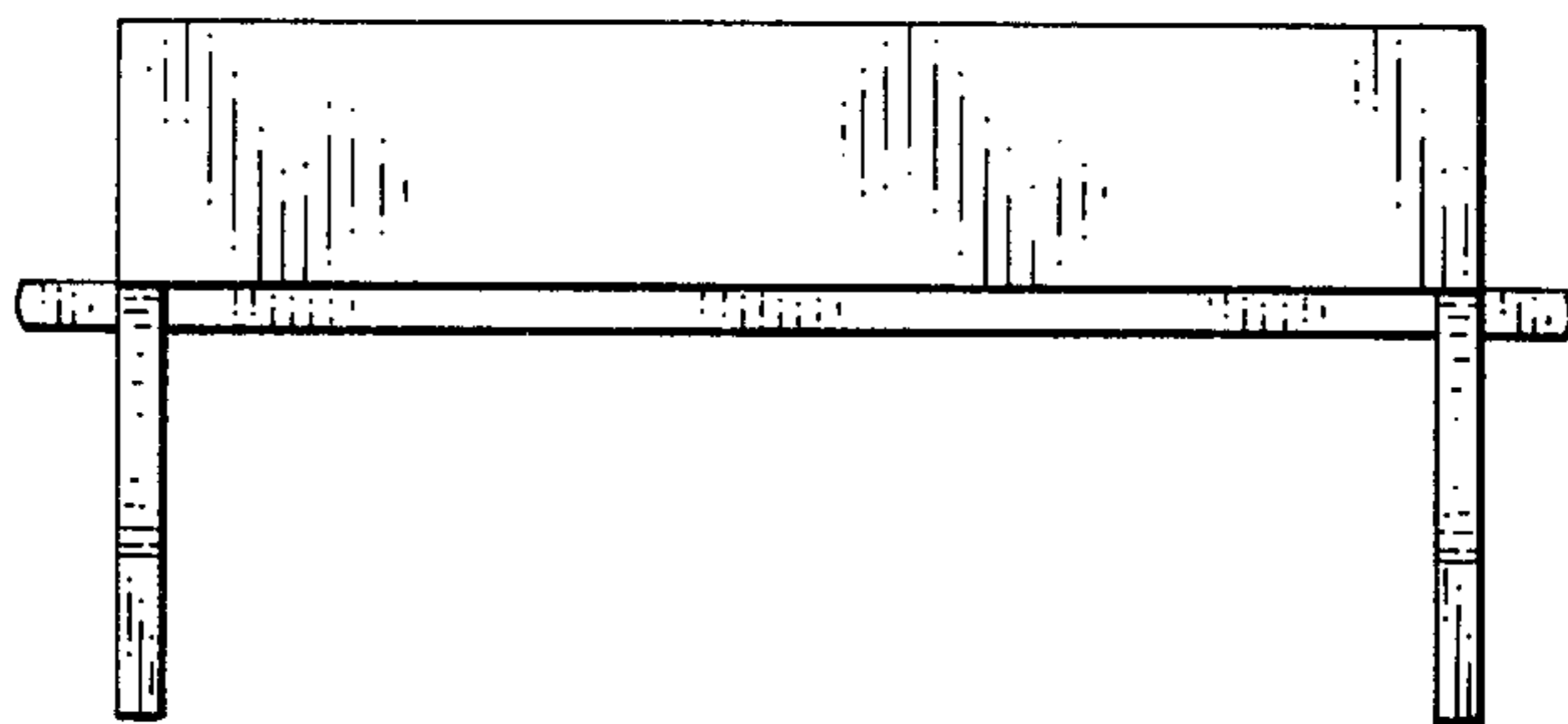


FIG. 5

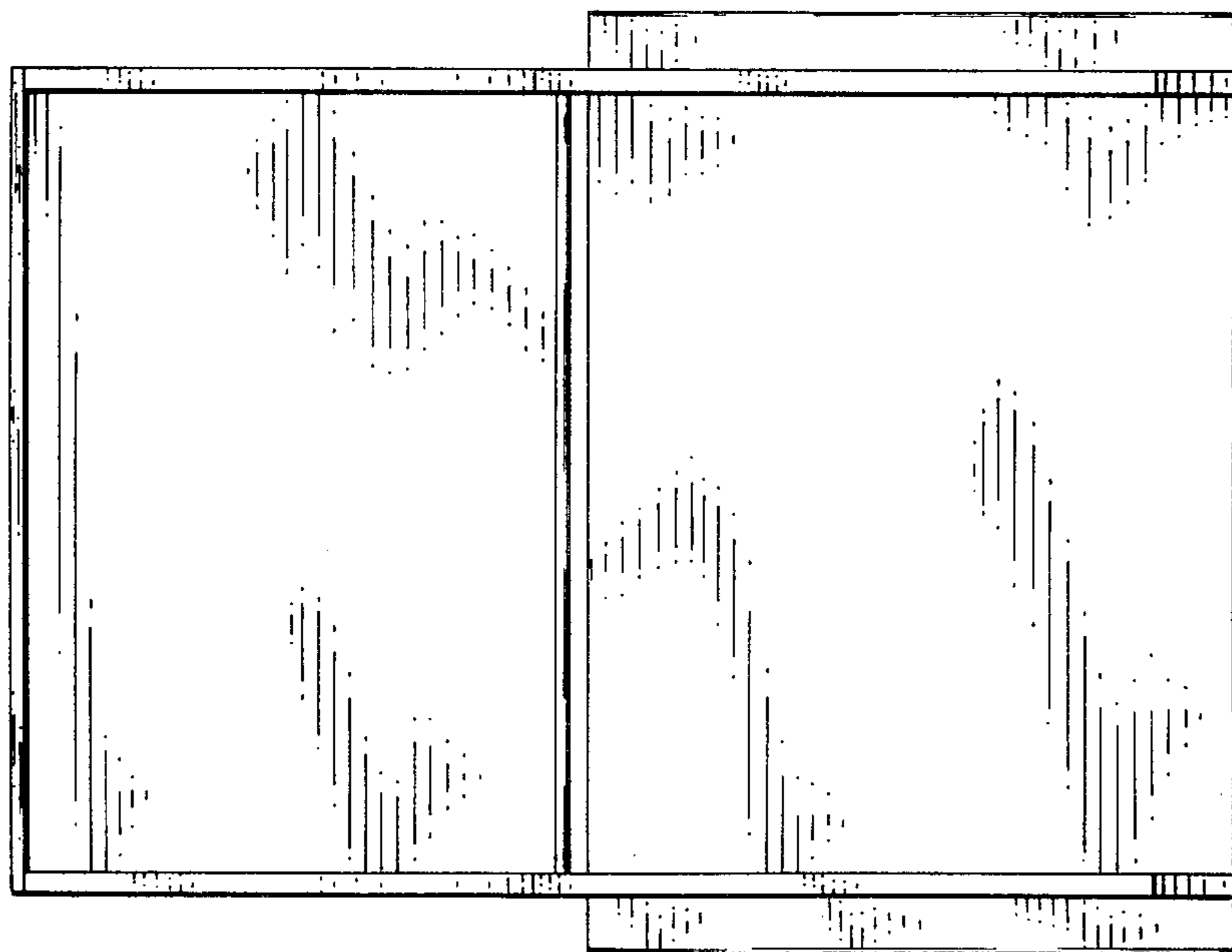


FIG. 6