

[54] COMPUTER WORK STATION

[76] Inventor: Joan O. Johnston, 2000 E. 12th Ave., Denver, Colo. 80206

[**] Term: 14 Years

[21] Appl. No.: 464,389

[22] Filed: Feb. 7, 1983

[52] U.S. Cl. D6/420; D6/423

[58] Field of Search D6/397, 420, 421, 423, D6/424-432, 480, 484; D14/103; 434/432; 312/194-196

[56] References Cited

U.S. PATENT DOCUMENTS

- D. 145,654 10/1946 Bjorksten D6/423
- D. 217,682 5/1970 Meyer D6/420
- D. 220,767 5/1971 Power D6/421
- D. 228,996 11/1973 Morris D6/421

- D. 241,549 9/1976 Rota D6/397
- D. 242,832 12/1976 Swensson D6/423

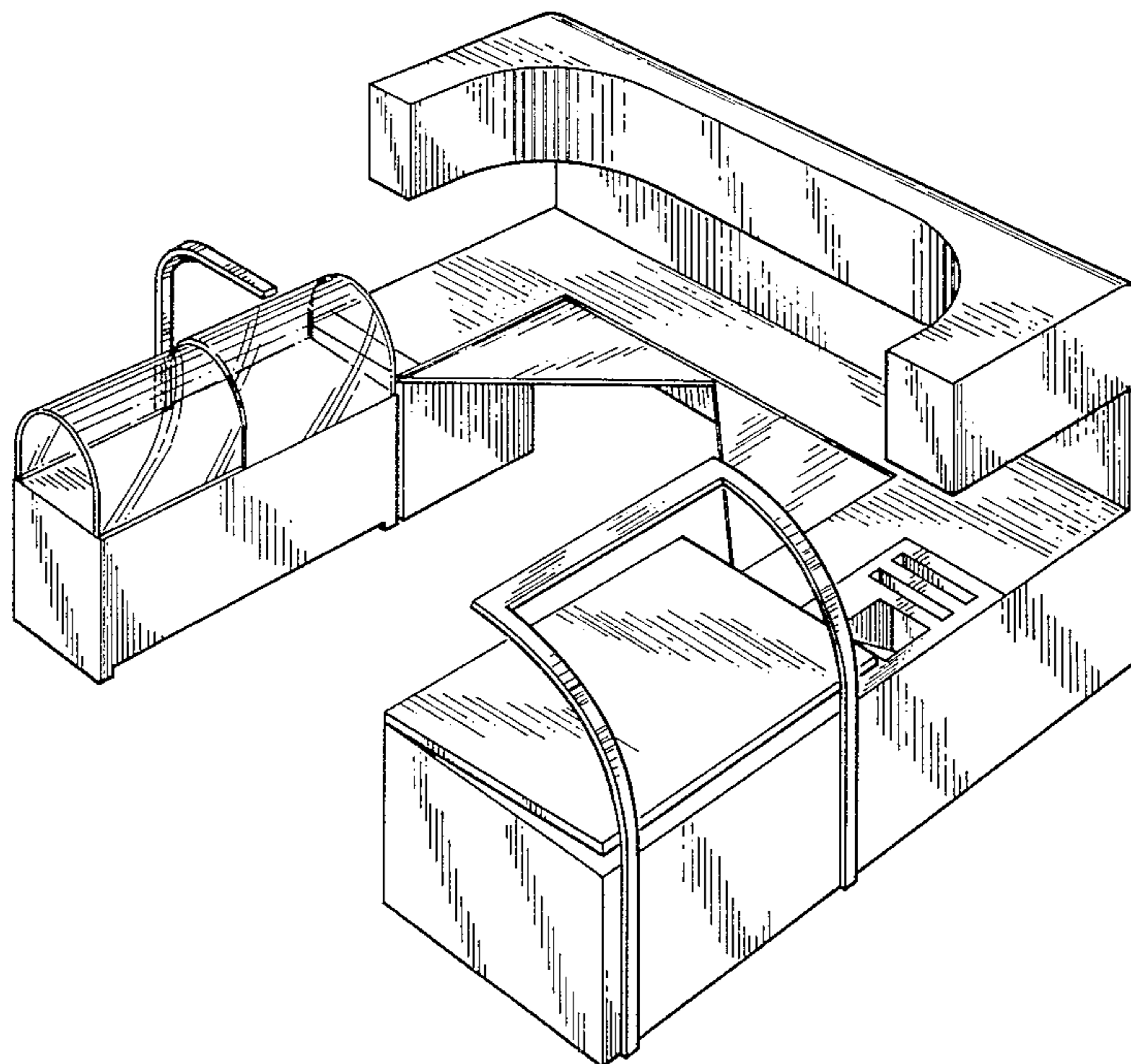
Primary Examiner—Carmen H. Vales
Attorney, Agent, or Firm—Klaas & Law

[57] CLAIM

The ornamental design for a computer work station, as shown and described.

DESCRIPTION

FIG. 1 is a front perspective view of a computer work station showing my new design;
 FIG. 2 is a top plan view thereof;
 FIG. 3 is a front elevational view thereof;
 FIG. 4 is a bottom plan view thereof;
 FIG. 5 is a rear elevational view thereof;
 FIG. 6 is a left side elevational view thereof; and
 FIG. 7 is a right side elevational view thereof.
 The drafting table in FIGS. 3, 6 and 7 is in horizontal position for convenience of illustration.



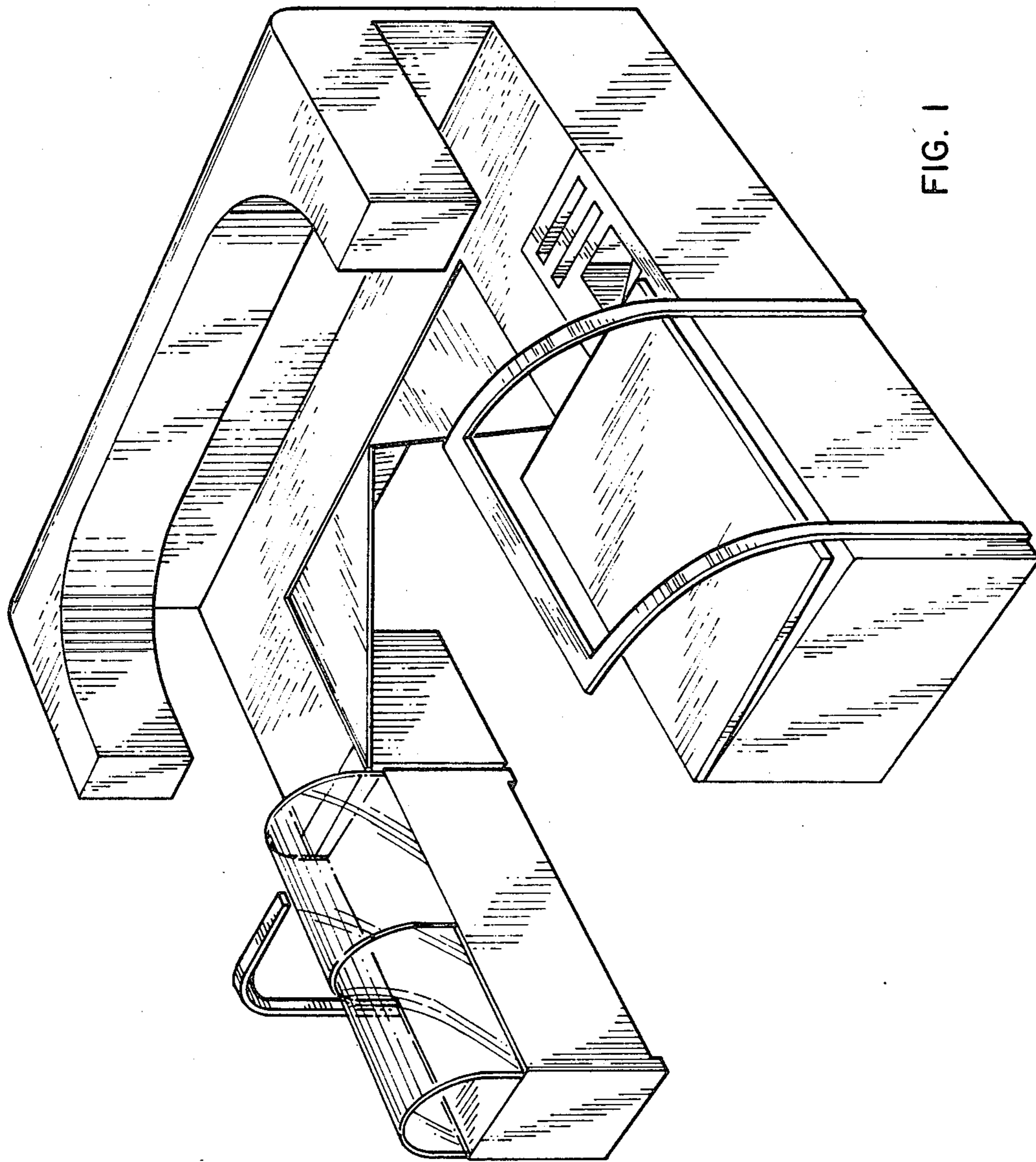
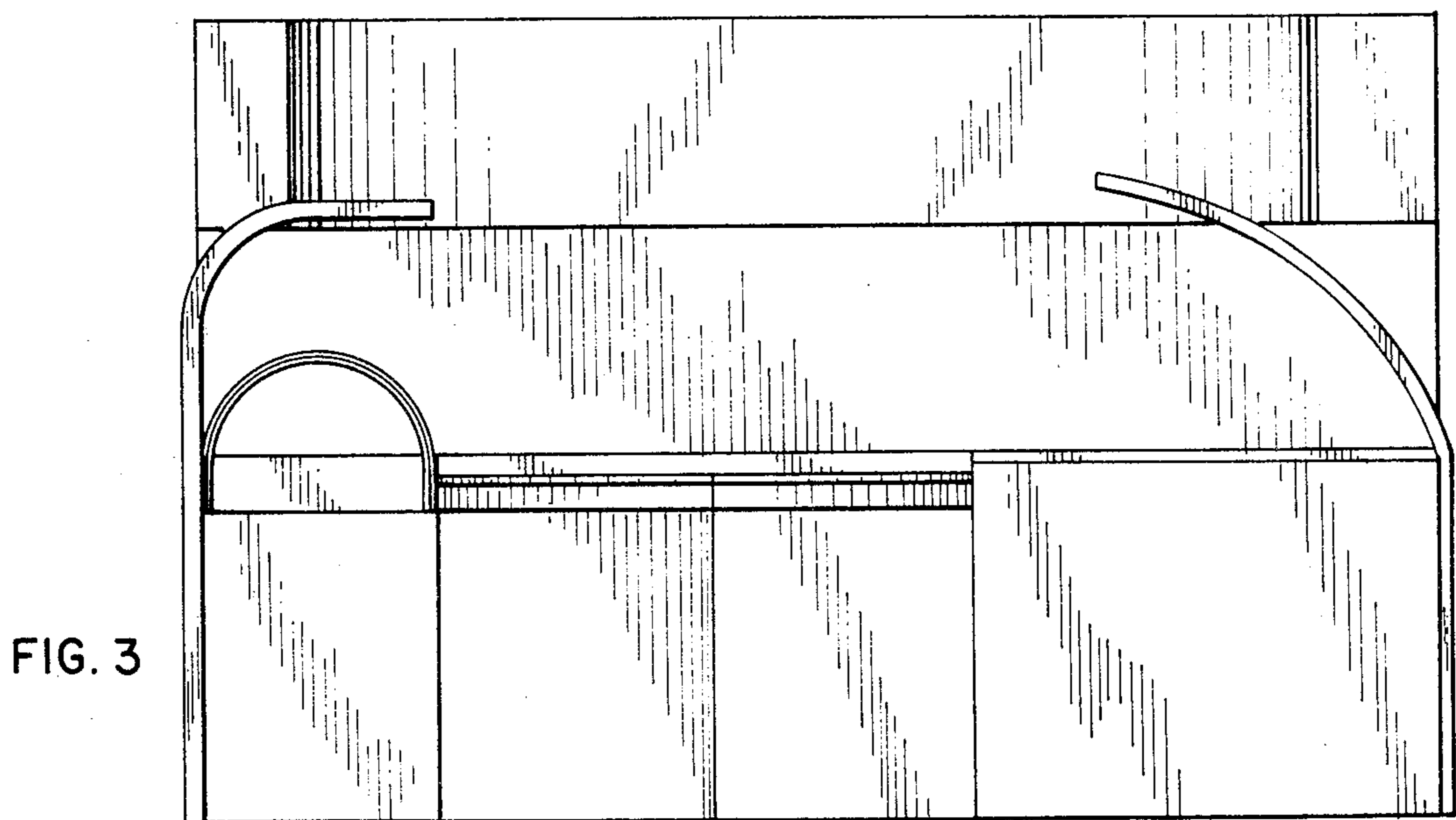
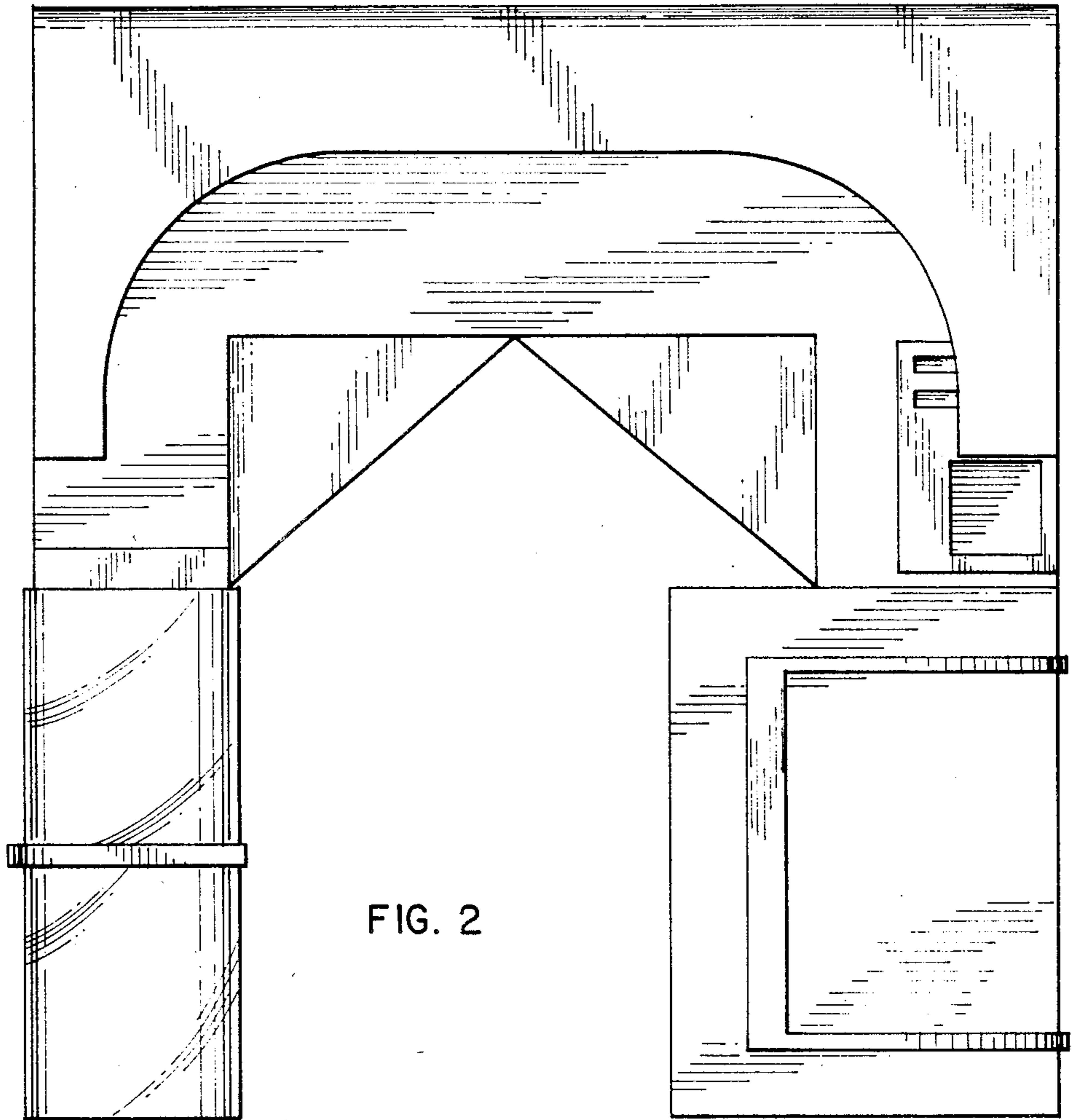


FIG. 1



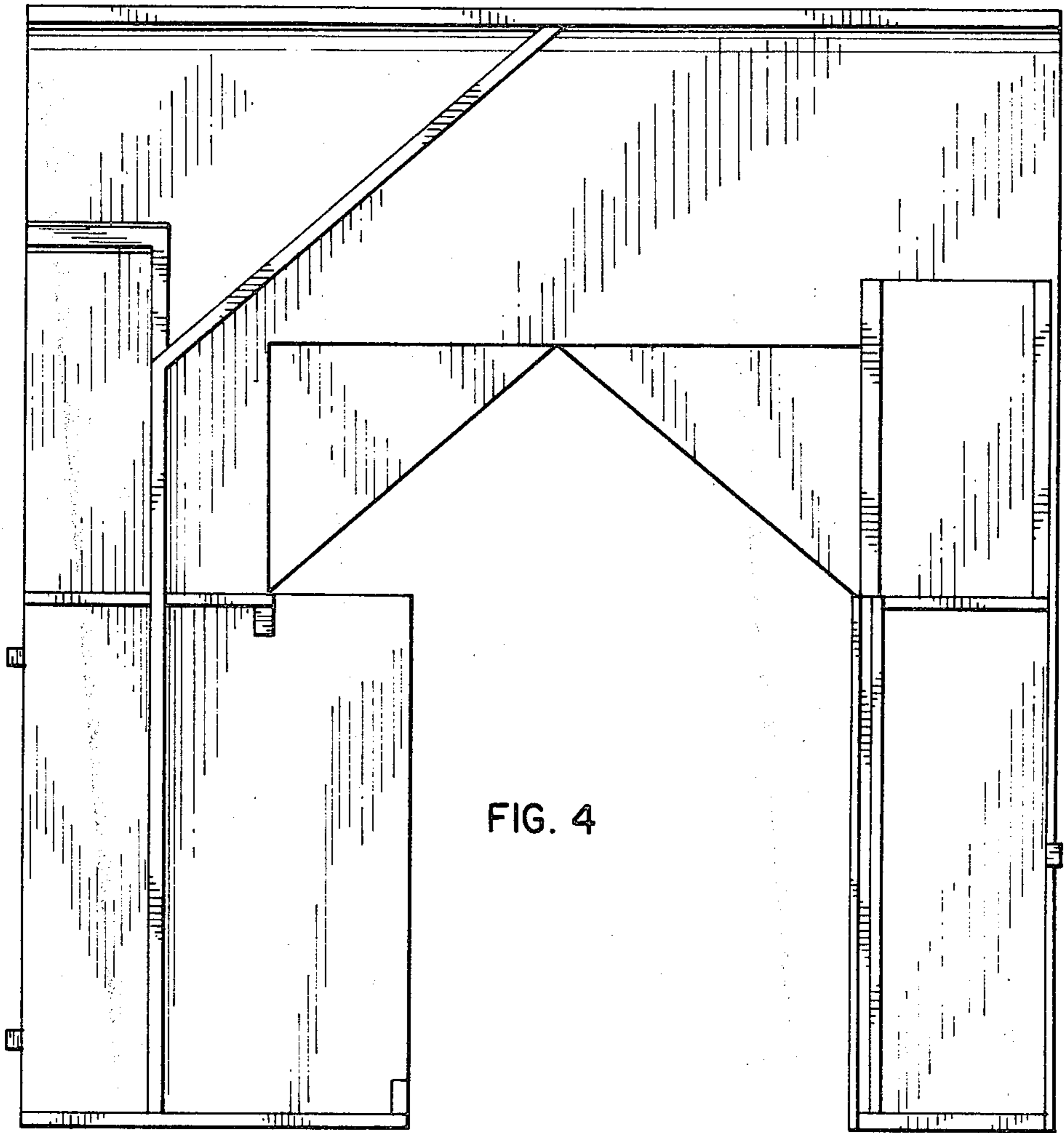


FIG. 4

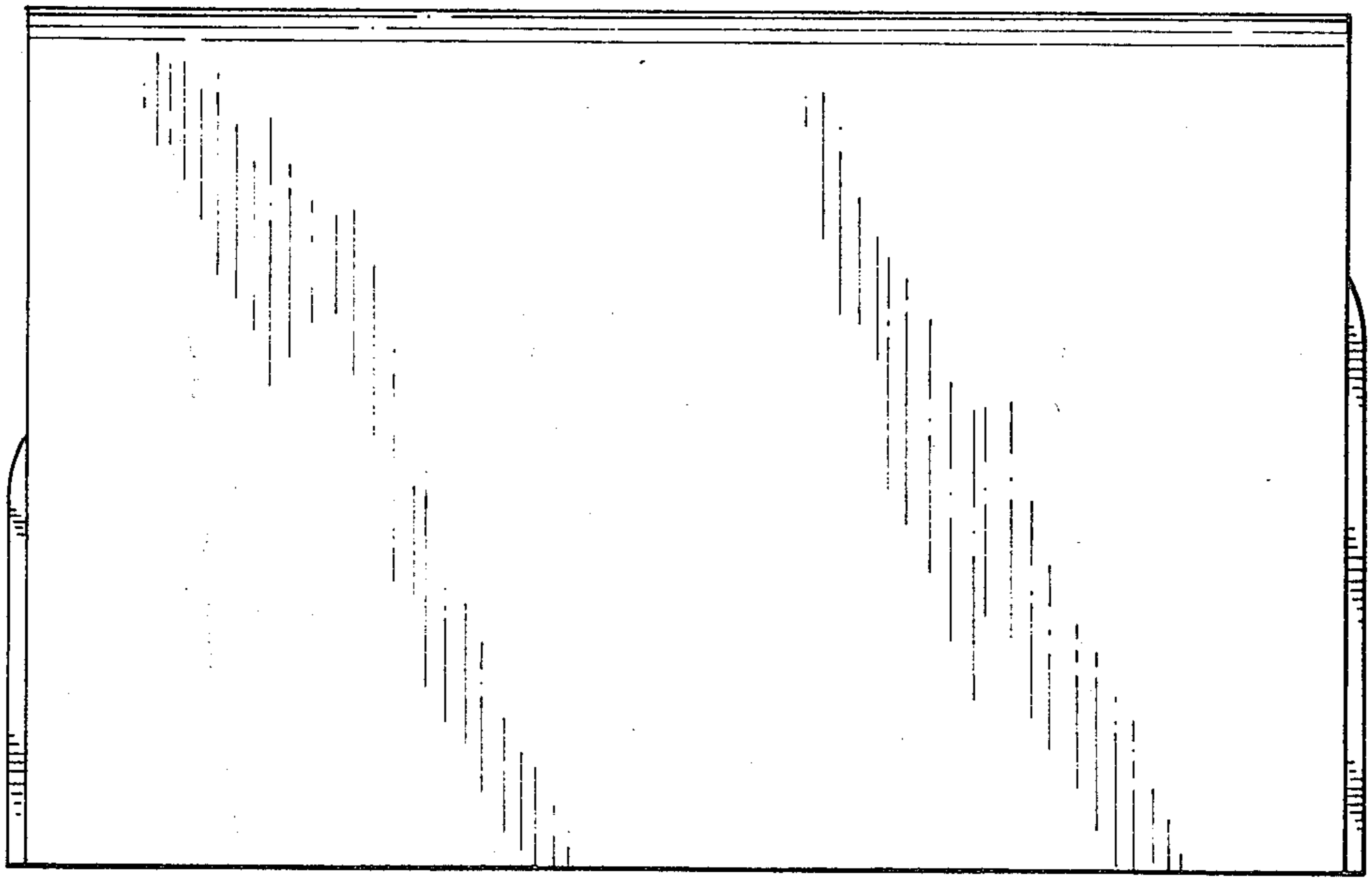


FIG. 5

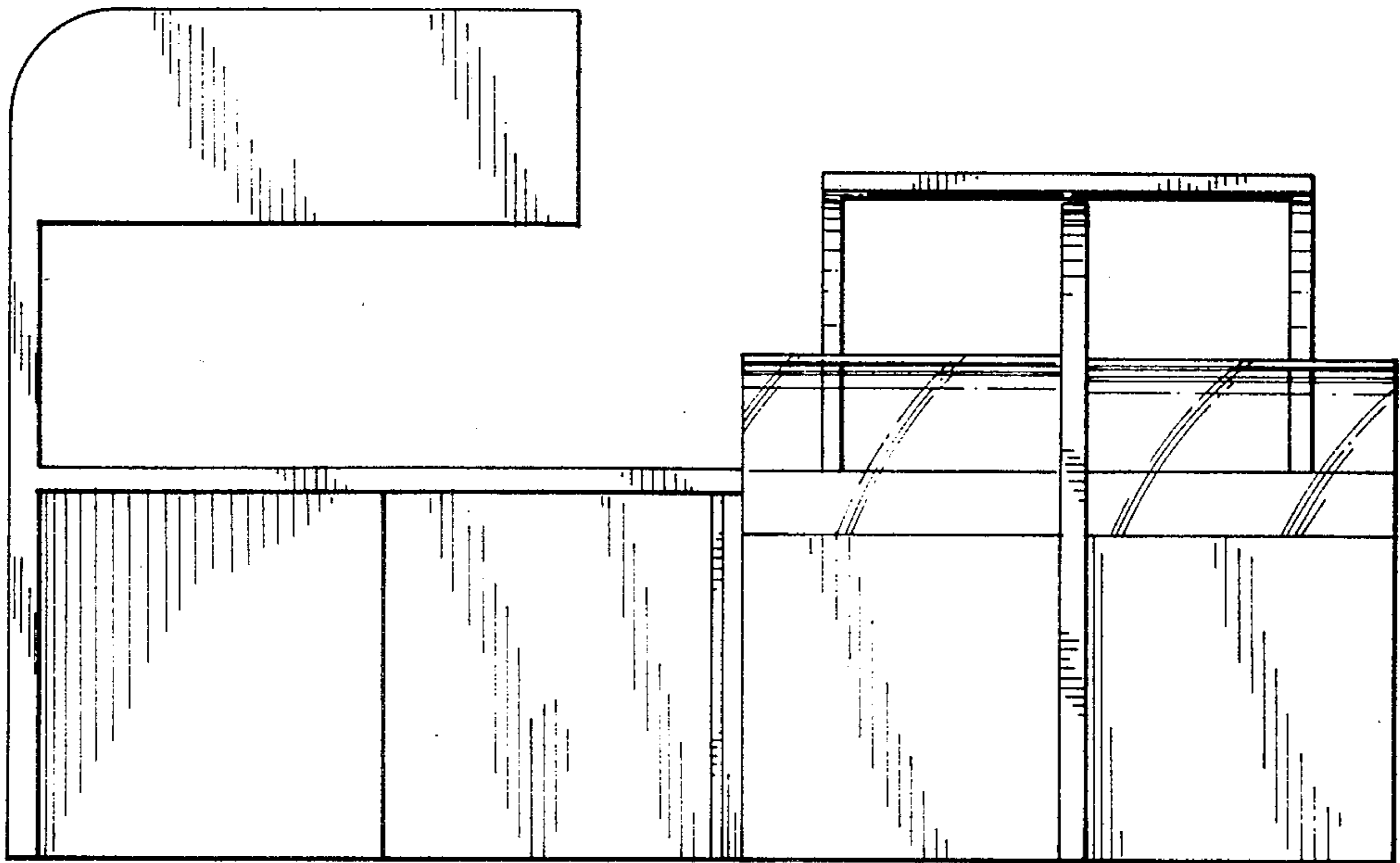


FIG. 6

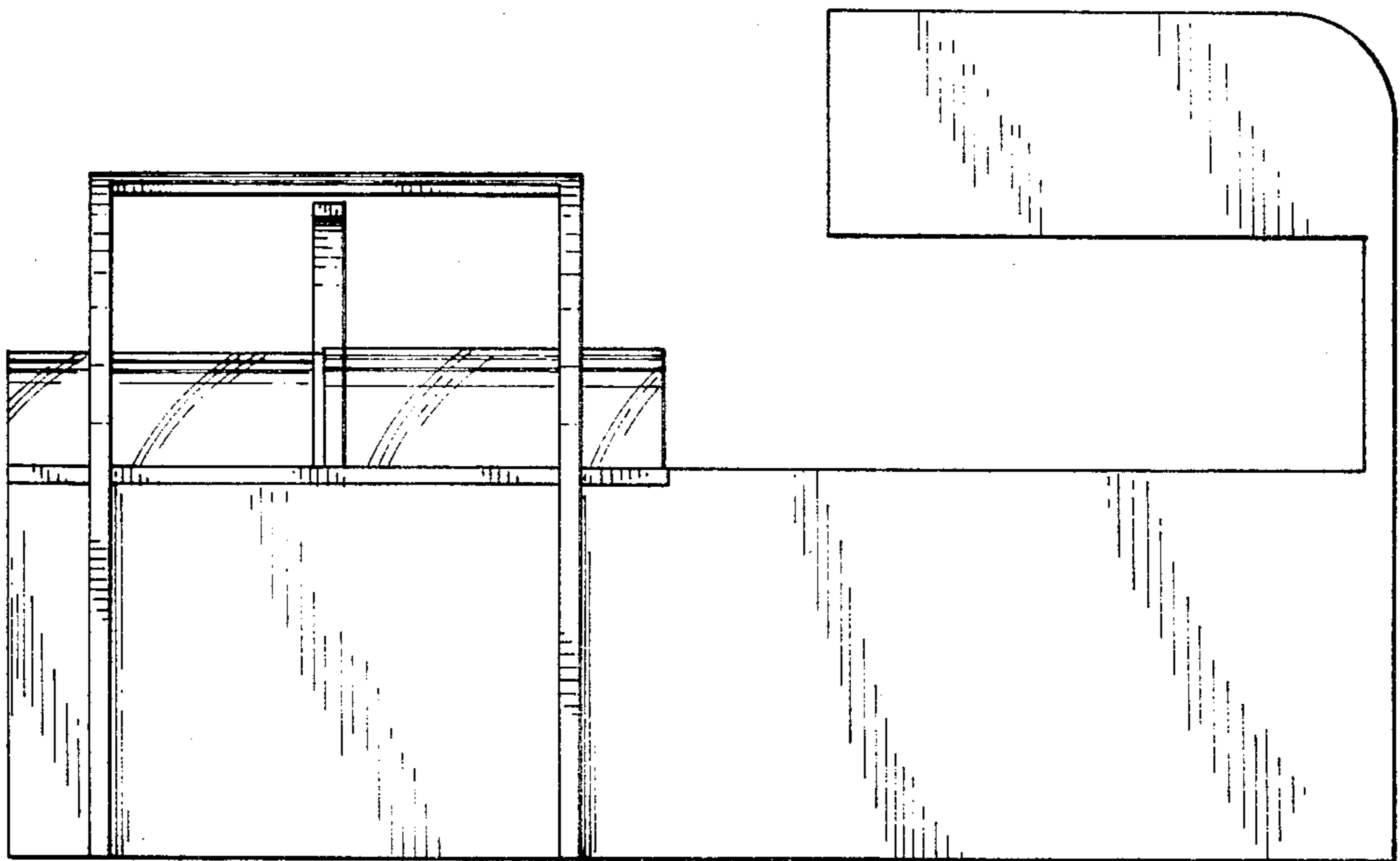


FIG. 7