

[54] REFUSE CONTAINER  
 [75] Inventor: Edward J. Reuter, Excelsior, Minn.  
 [73] Assignee: Reuter, Inc., Hopkins, Minn.  
 [\*\*] Term: 14 Years  
 [21] Appl. No.: 541,108  
 [22] Filed: Oct. 12, 1983  
 [52] U.S. Cl. .... D34/5  
 [58] Field of Search ..... D34/1-5,  
 D34/25; 220/1 T; 232/119; 280/47.26, 47.31,  
 79.2; 248/129, 133; 414/406

1,014,475 1/1912 Holloway ..... 280/47.26  
 3,366,397 1/1968 Zeilstra et al. .... 280/47.26  
 4,351,539 9/1982 Rodolakis ..... 220/1 T

Primary Examiner—James M. Gandy  
 Assistant Examiner—Kay H. Chin  
 Attorney, Agent, or Firm—Merchant, Gould, Smith,  
 Edell, Welter & Schmidt

[57] CLAIM

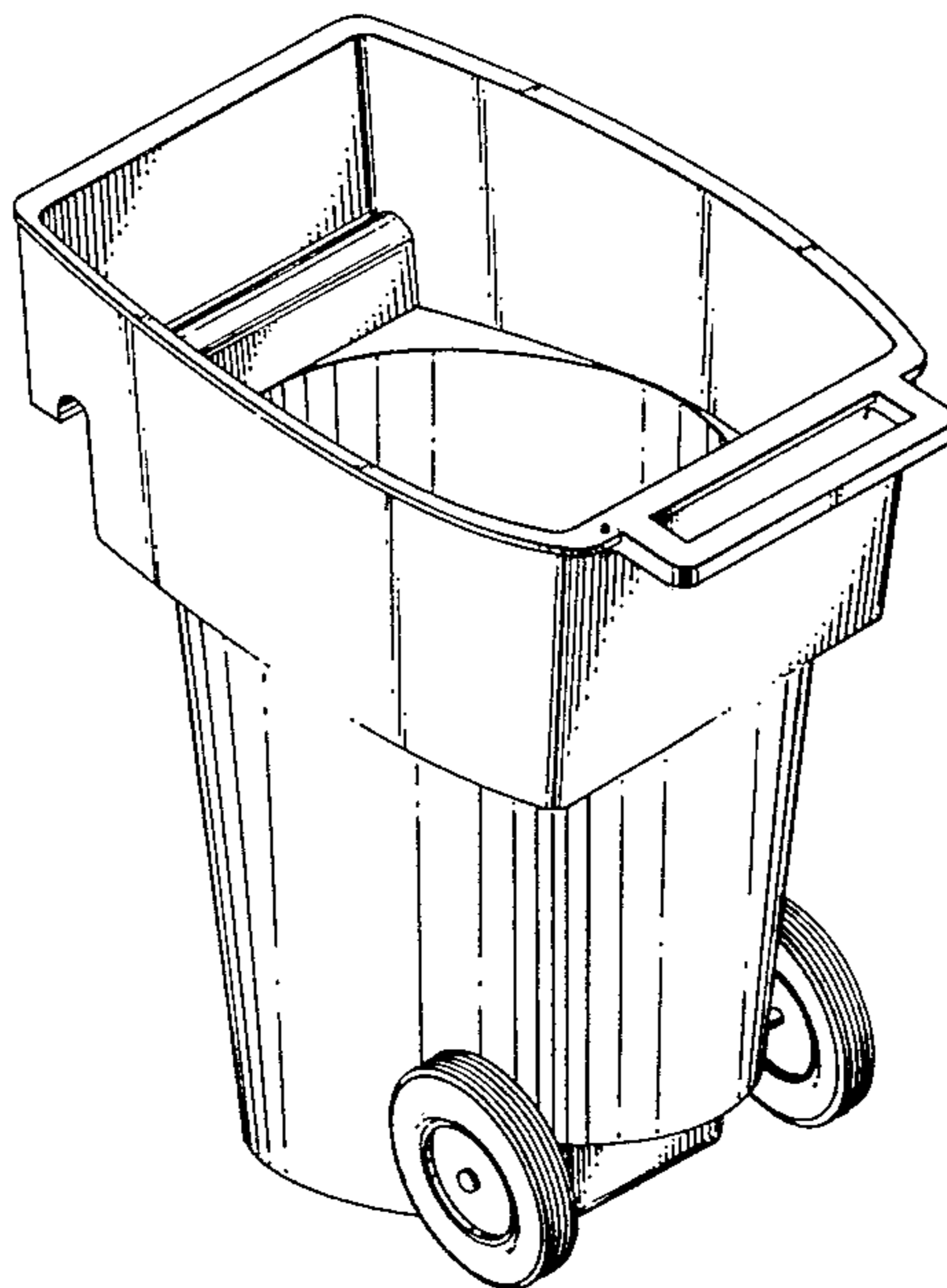
The ornamental design for a refuse container, as shown.

DESCRIPTION

FIG. 1 is a back and top right perspective view of a refuse container showing my new design;  
 FIG. 2 is a top plan view thereof;  
 FIG. 3 is a side elevational view thereof;  
 FIG. 4 is a bottom plan view thereof;  
 FIG. 5 is a front elevational view thereof; and  
 FIG. 6 is a rear elevational view thereof.

[56] References Cited  
 U.S. PATENT DOCUMENTS

D. 226,628 4/1973 Shannon ..... D34/5  
 D. 231,184 4/1974 Brown et al. .... D34/5  
 D. 270,675 9/1983 Parker ..... D34/5



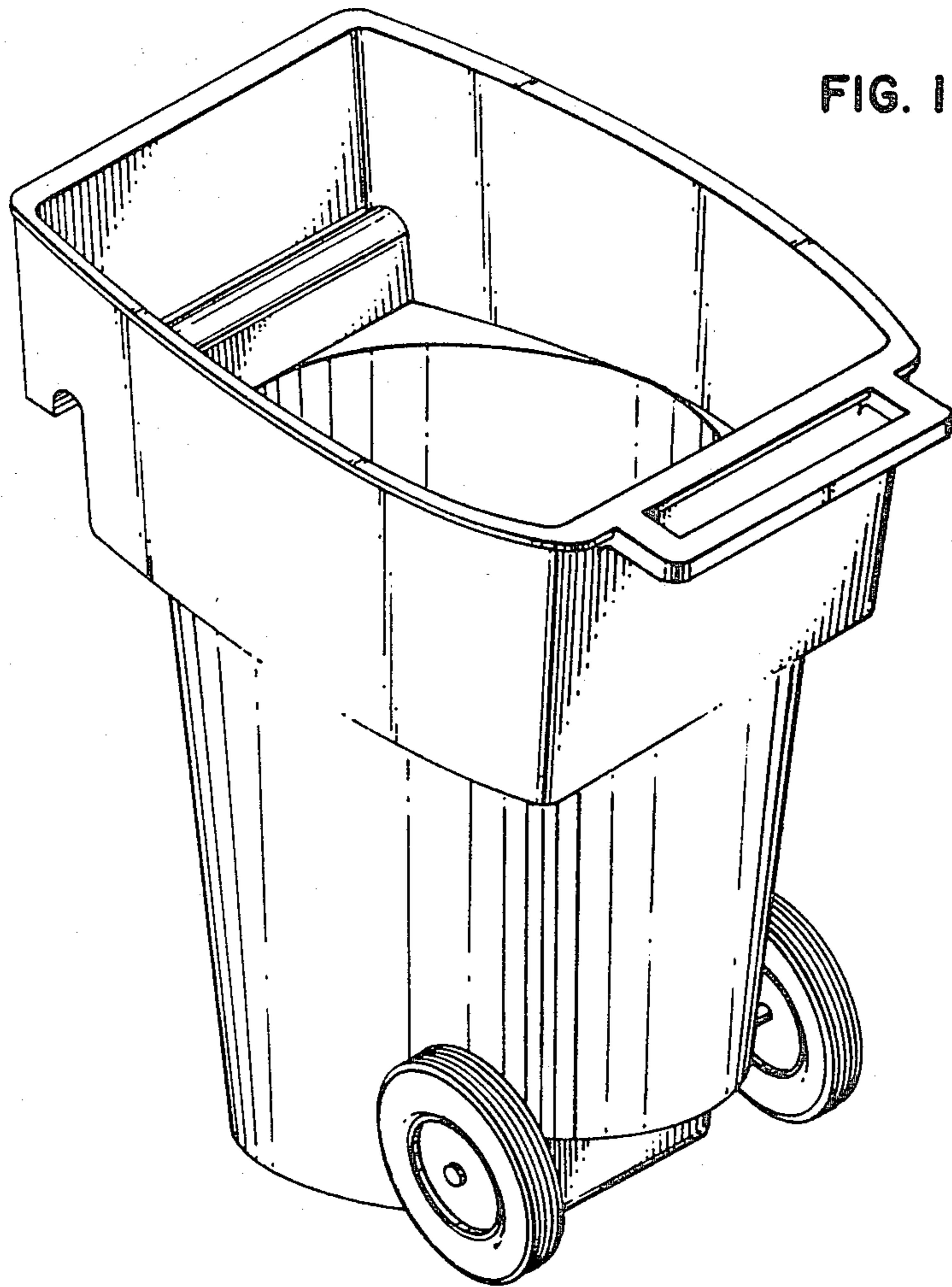


FIG. 1

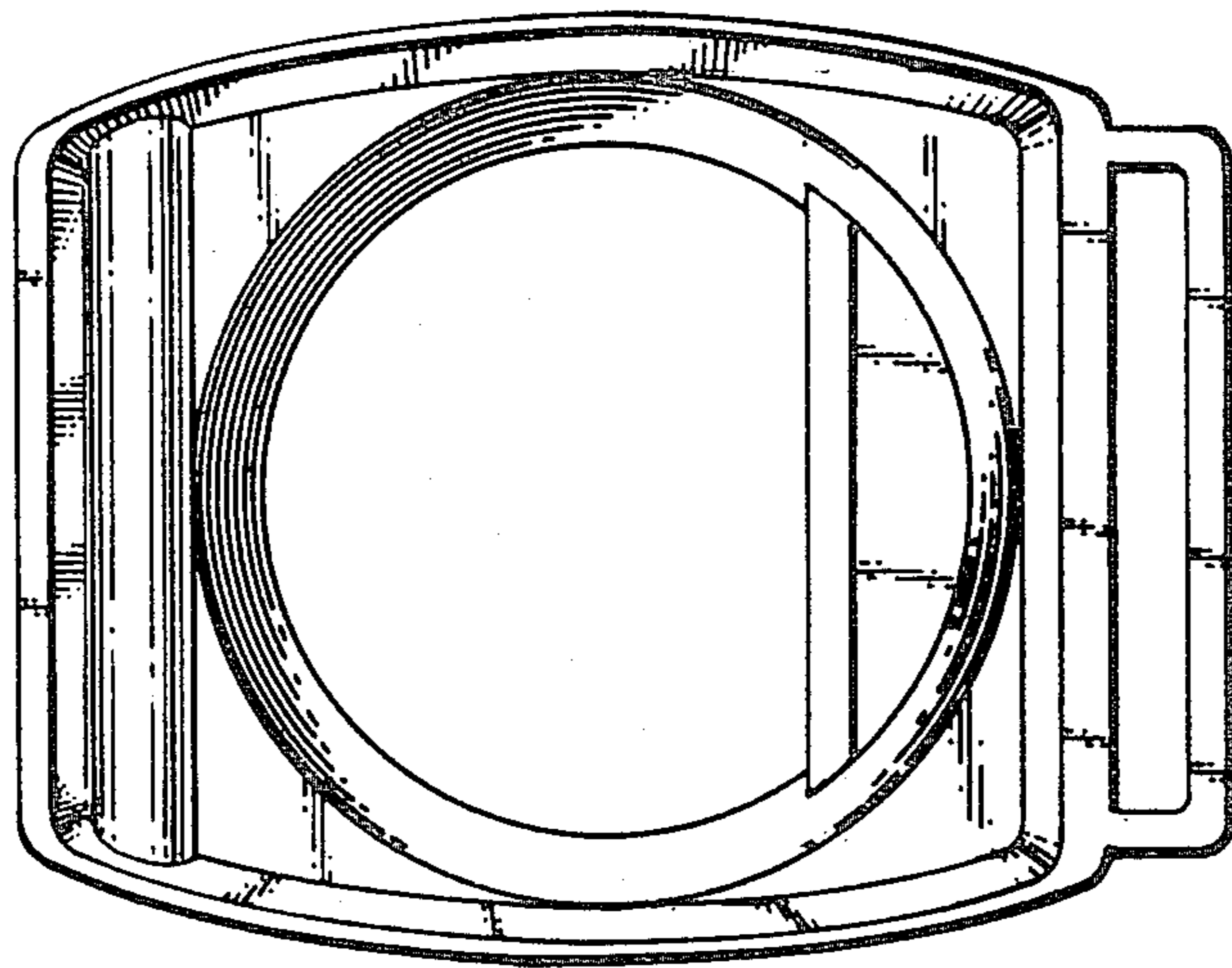


FIG. 2

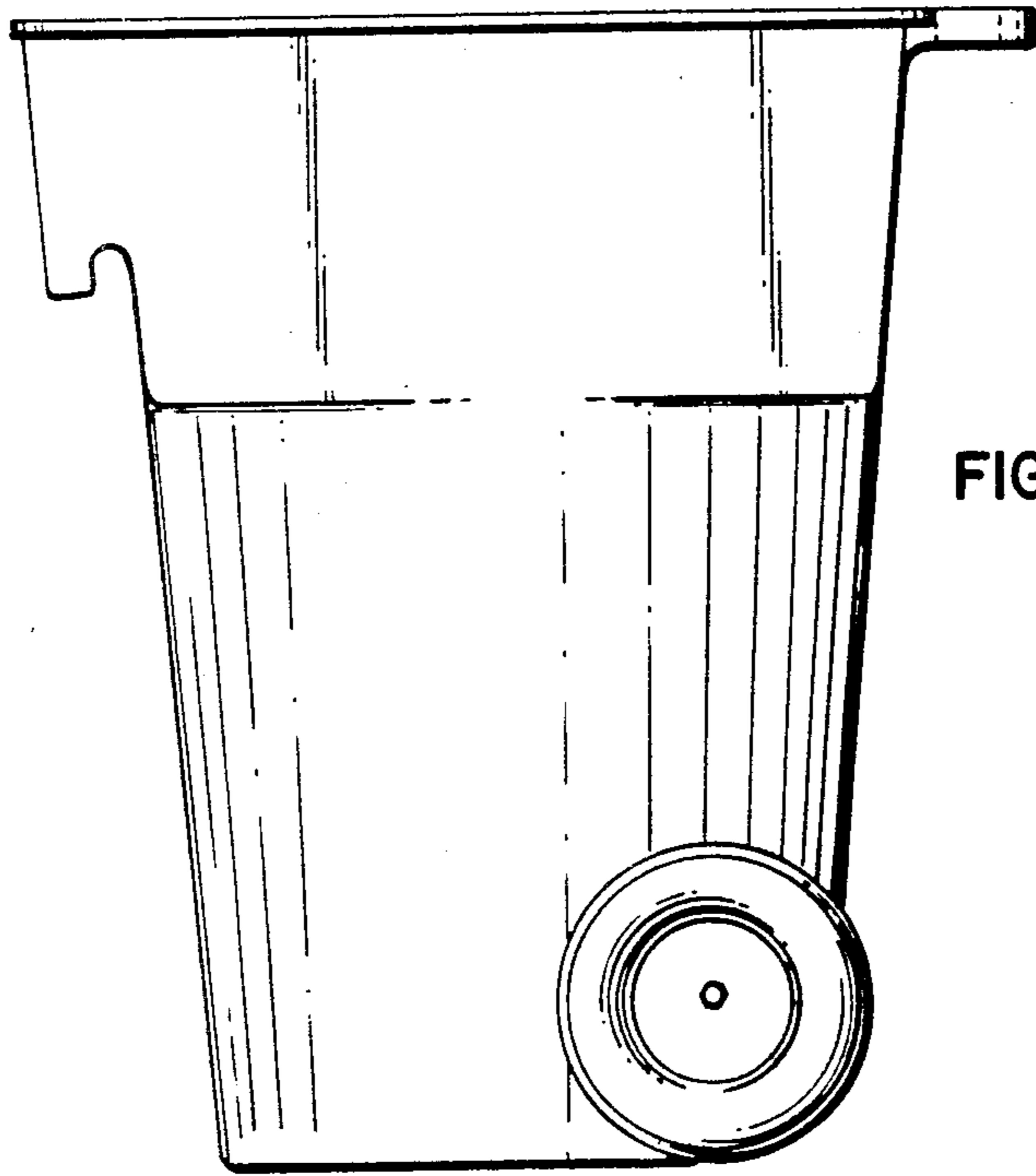


FIG. 3

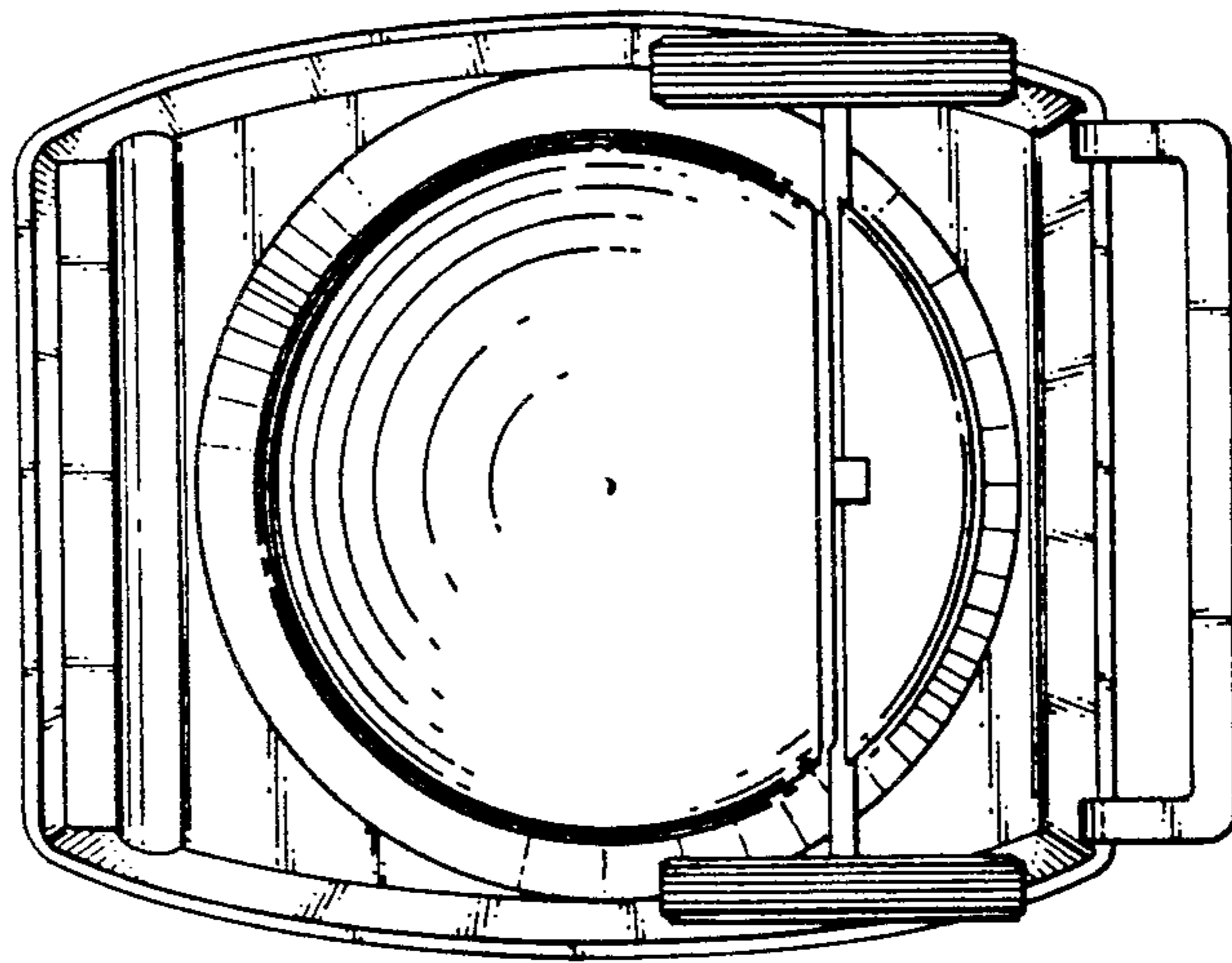


FIG. 4

FIG. 5

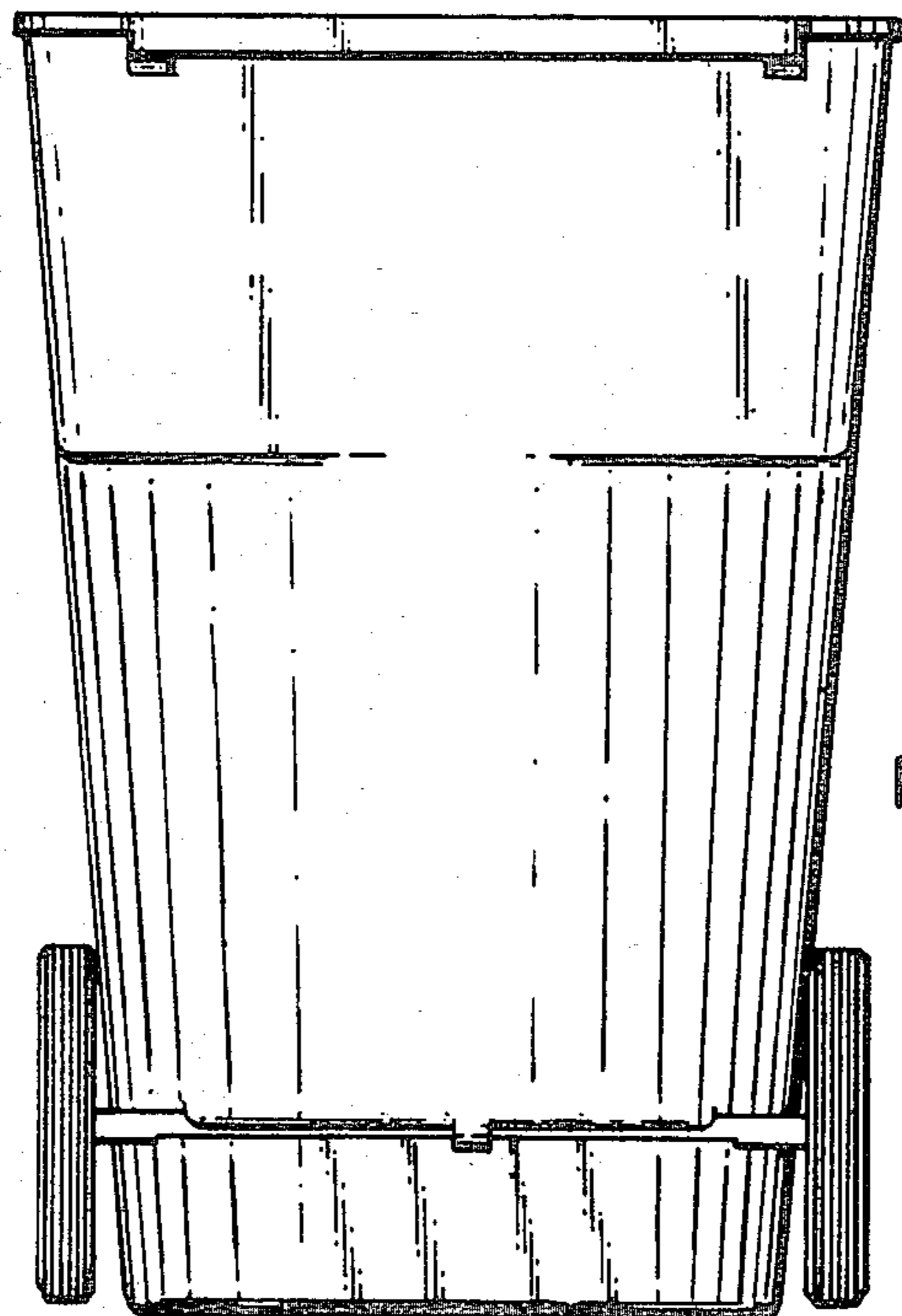
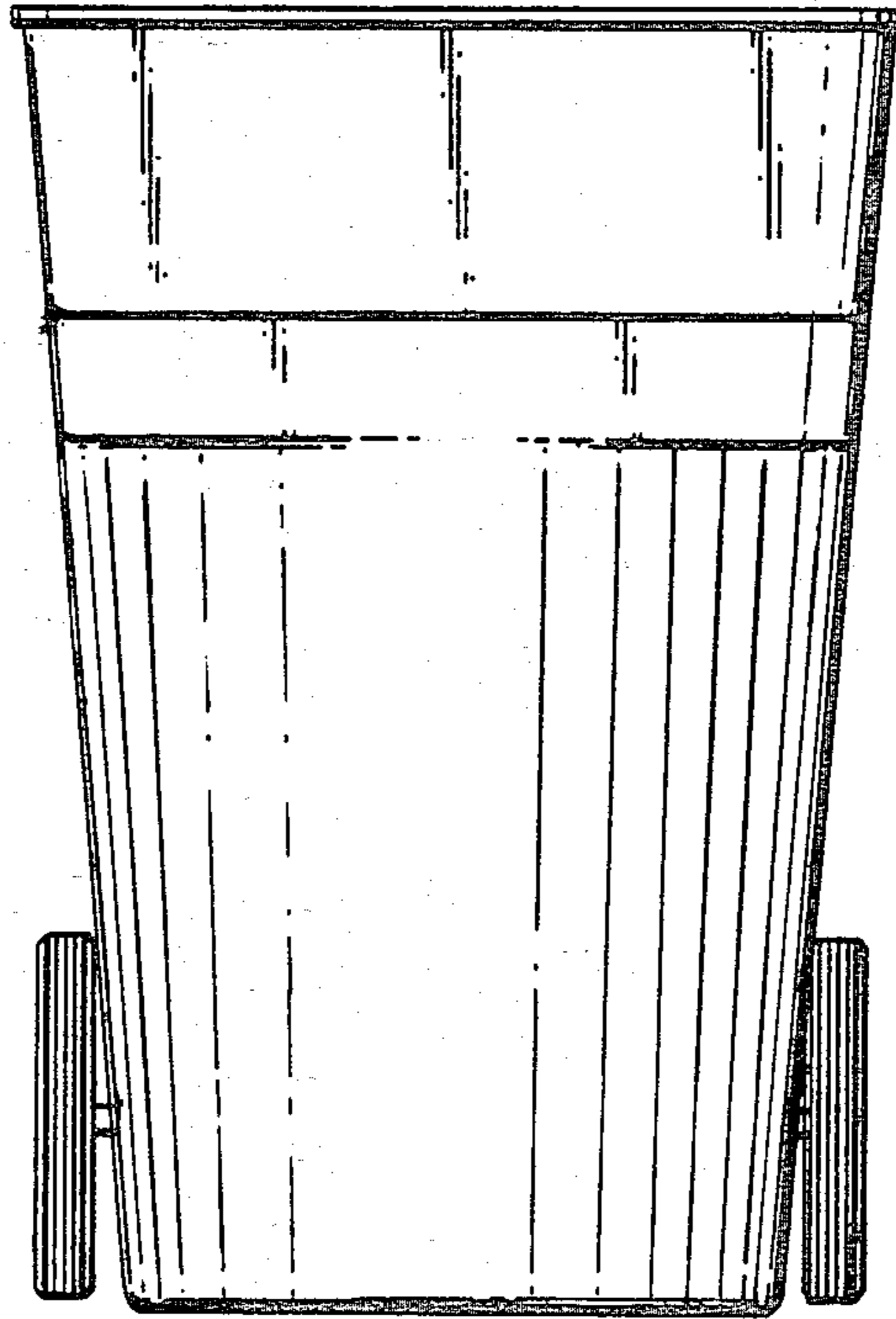


FIG. 6