

[54] INSECT CAGE

[76] Inventor: Monty N. Cazier, 2253 Linda St., Saginaw, Mich. 48603

[\*\*] Term: 14 Years

[21] Appl. No.: 470,584

[22] Filed: Feb. 28, 1983

[52] U.S. Cl. .... D30/1

[58] Field of Search ..... D30/1-5; 119/15, 16, 17, 19

3,774,576	11/1973	Moore	119/23	X
3,791,346	2/1974	Willinger et al.	119/15	X
4,212,267	7/1980	Patterson	119/15	X
4,250,833	2/1981	Waldon	119/15	X
4,252,080	2/1981	Gioia	119/15	X

Primary Examiner—James R. Largen  
Attorney, Agent, or Firm—John J. Swartz

[57] CLAIM

The ornamental design for an insect cage, as shown and described.

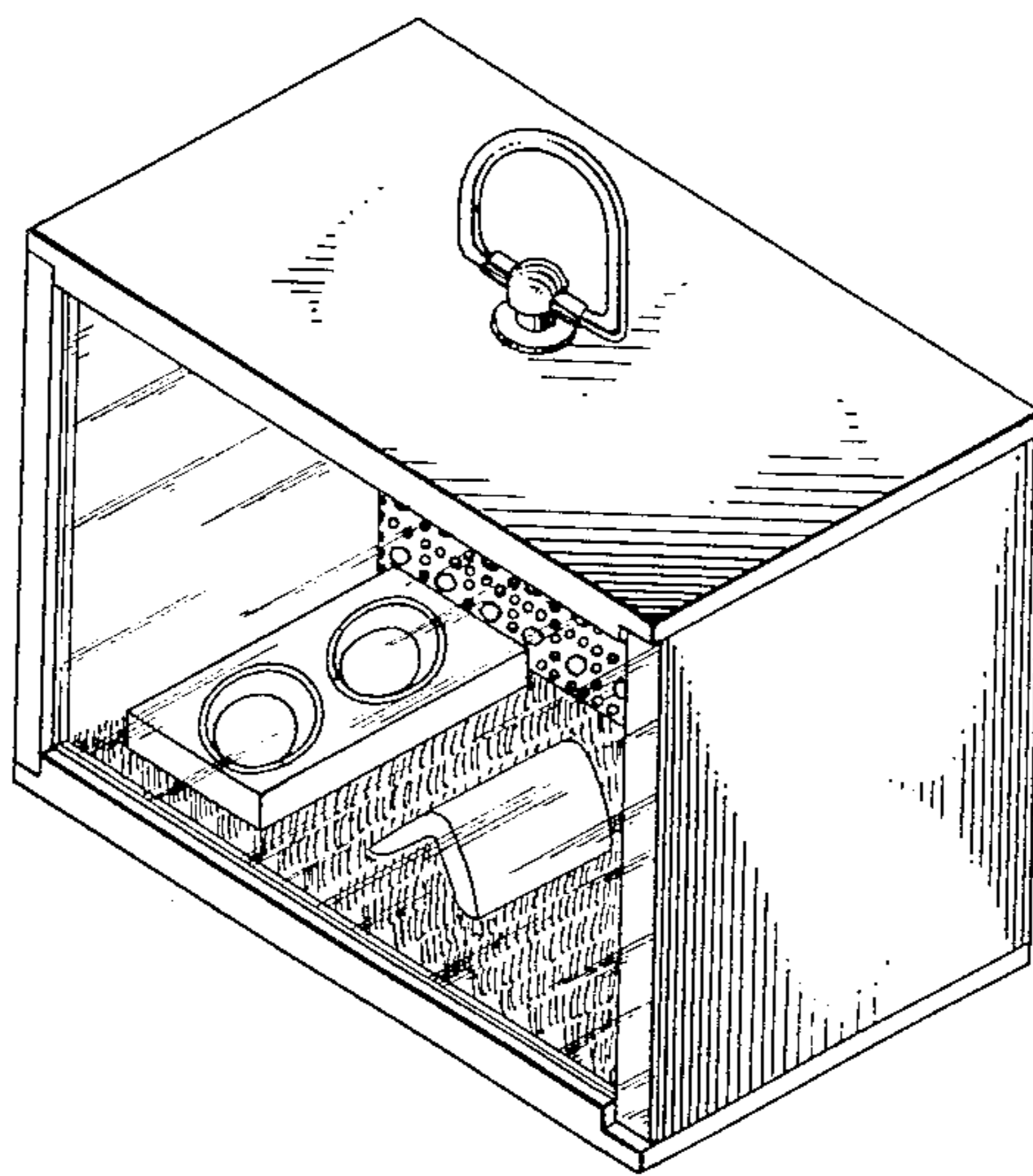
[56] References Cited

U.S. PATENT DOCUMENTS

D. 222,065	9/1971	Sheidlower	D30/1
D. 240,238	6/1976	Perkins et al.	D30/1
D. 255,946	7/1980	Galbreath	D30/1
D. 264,887	6/1982	Tweed	D30/1
D. 270,297	8/1983	Lovitt	D30/1
3,272,376	9/1966	Tierney et al.	119/17
3,626,902	12/1971	Orfei	119/17 X

DESCRIPTION

FIG. 1 is a perspective view taken from the top, front and right side of an insect cage showing my new design; FIG. 2 is a front elevational view thereof; FIG. 3 is a right side elevational view thereof; FIG. 4 is a left side elevational view thereof; FIG. 5 is a rear elevational view thereof; FIG. 6 is a top plan view thereof; and FIG. 7 is a bottom plan view thereof.



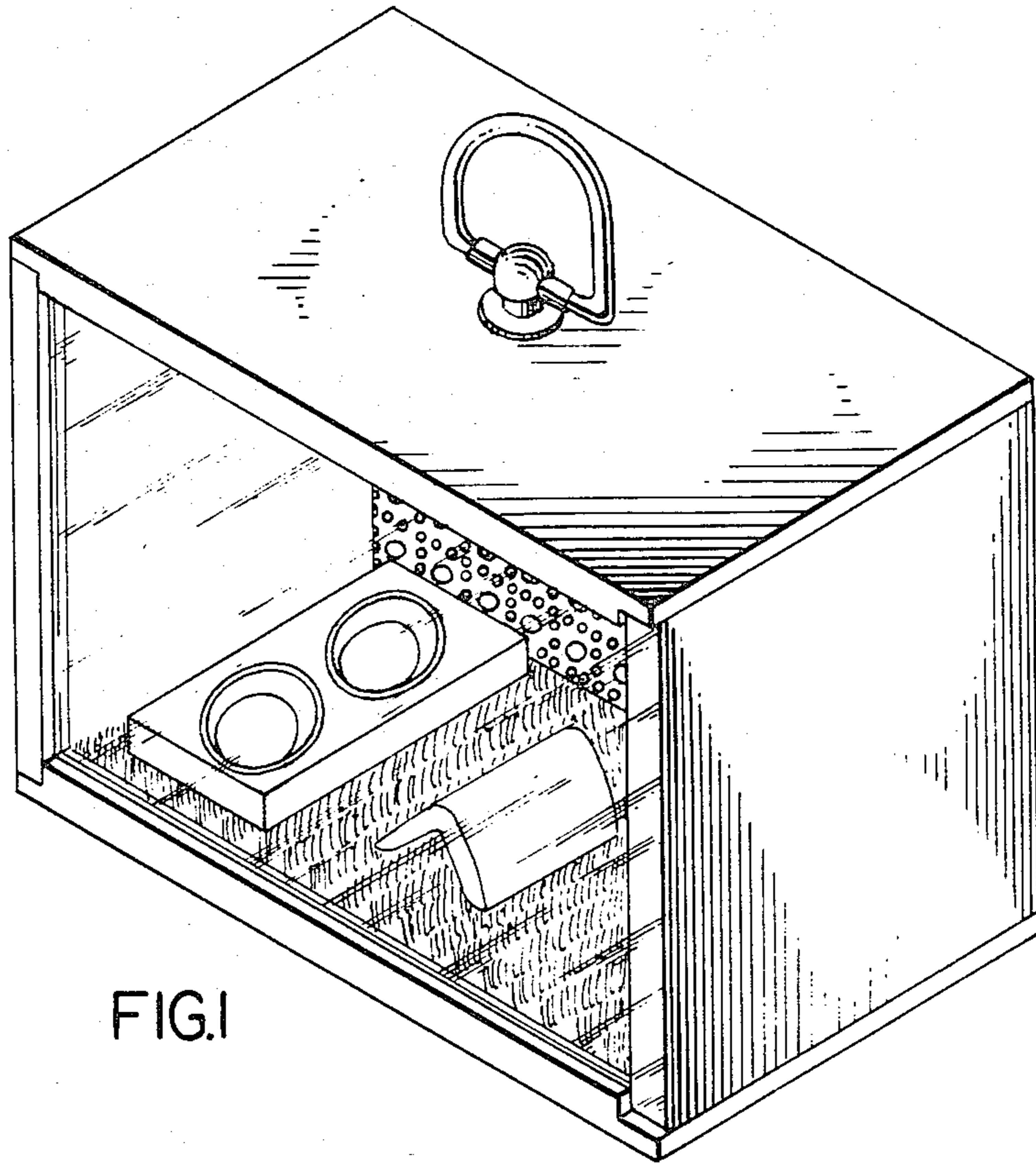


FIG. 1

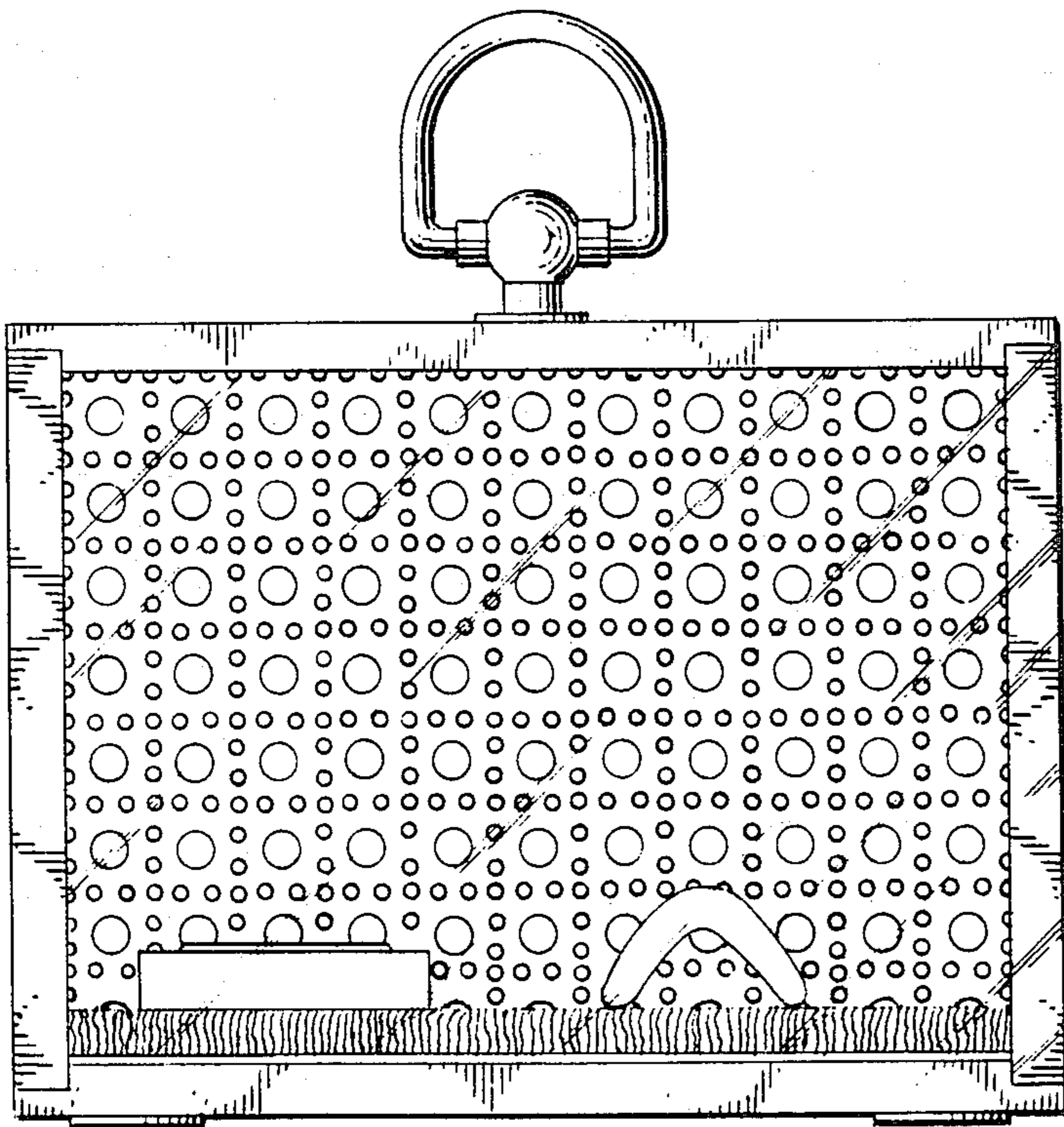


FIG. 2

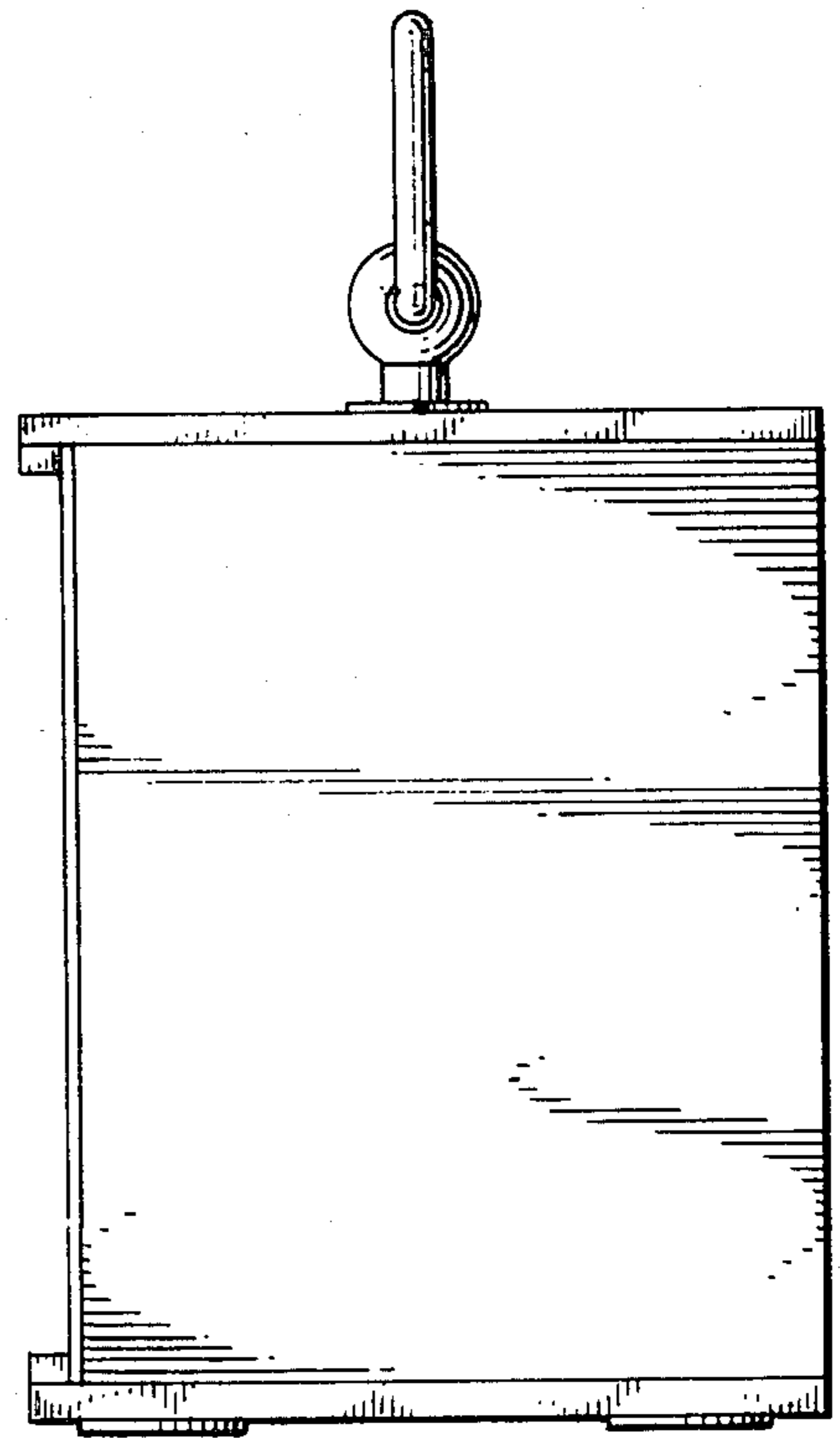


FIG. 3

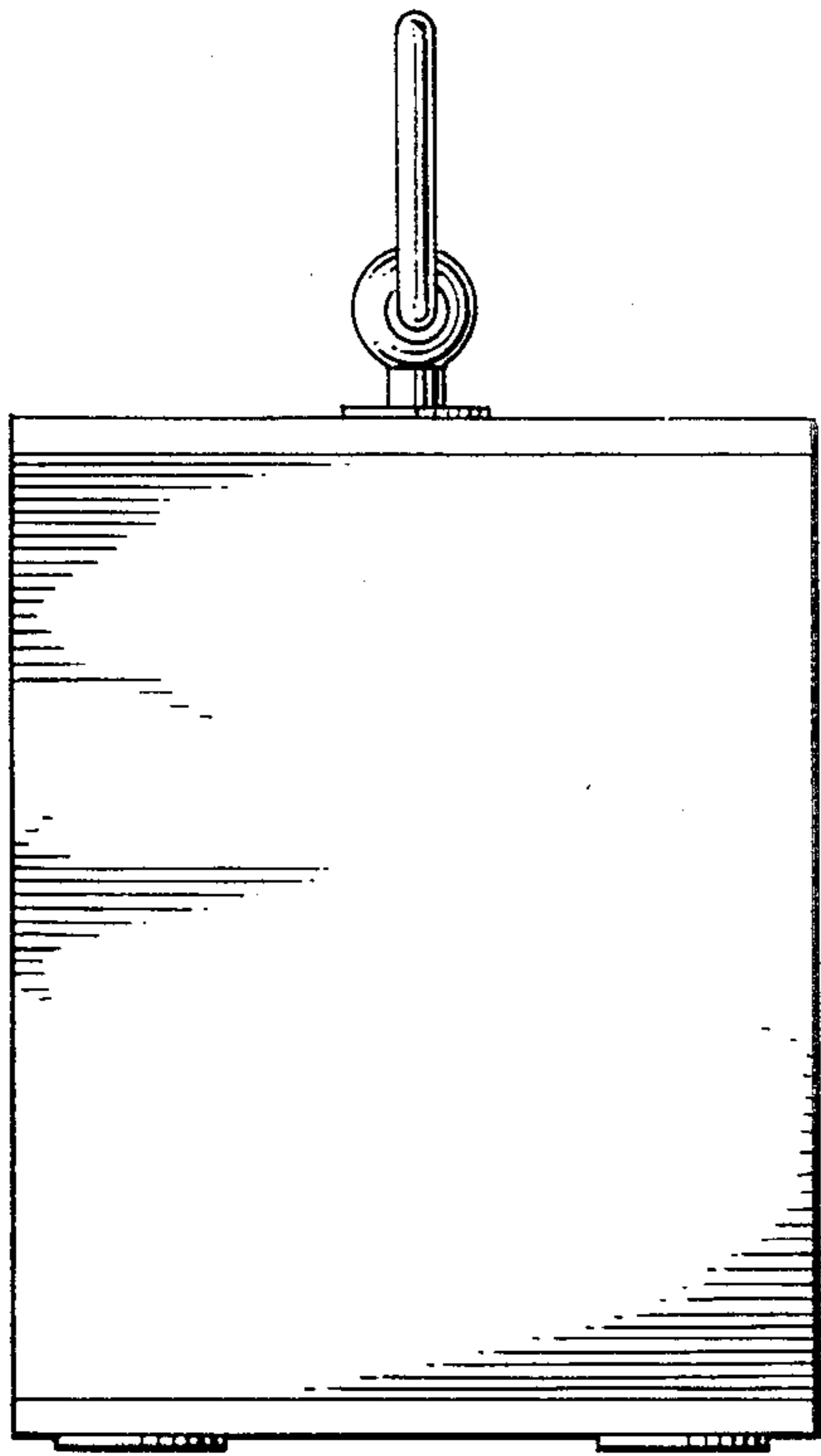


FIG. 4

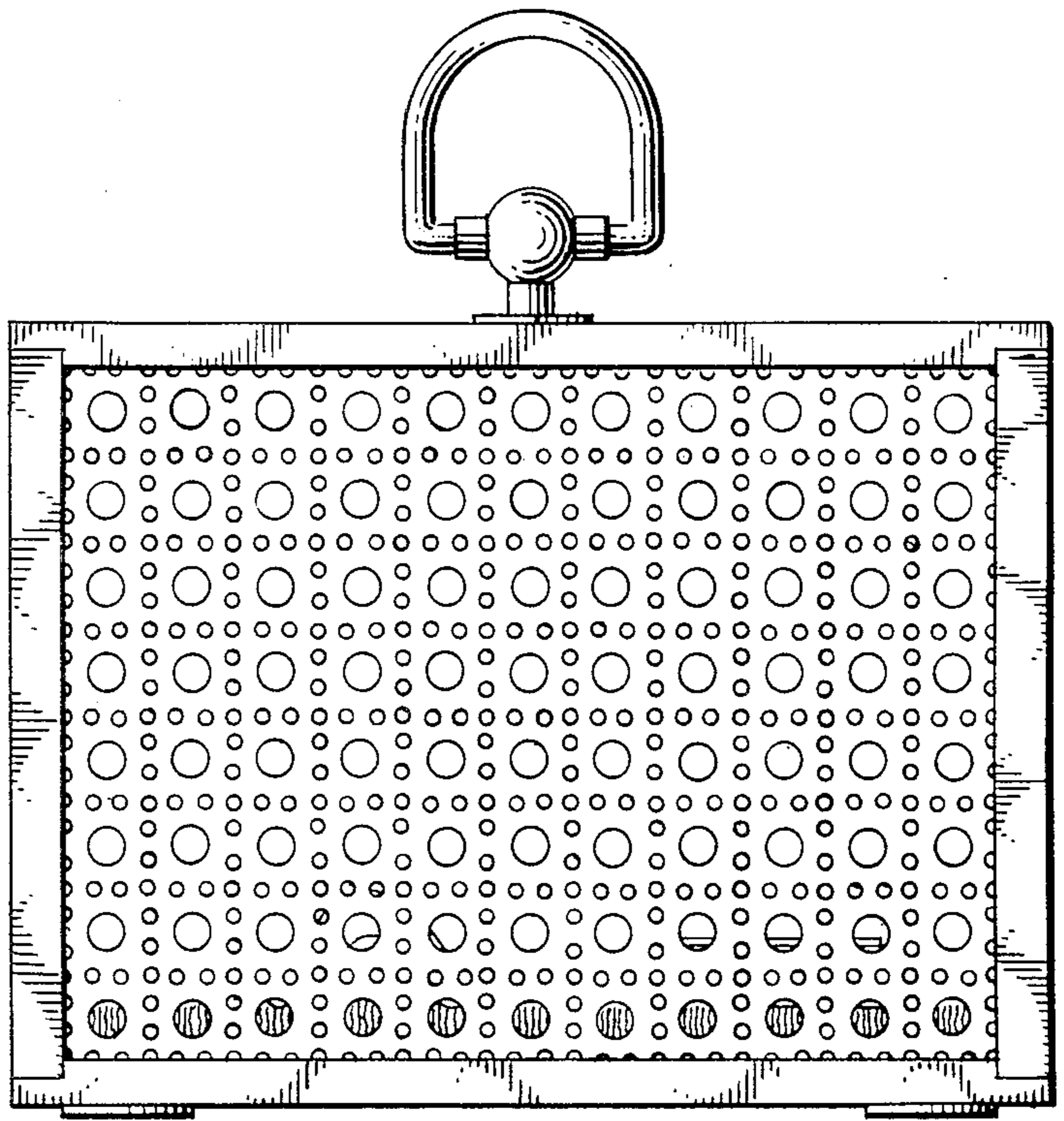


FIG. 5

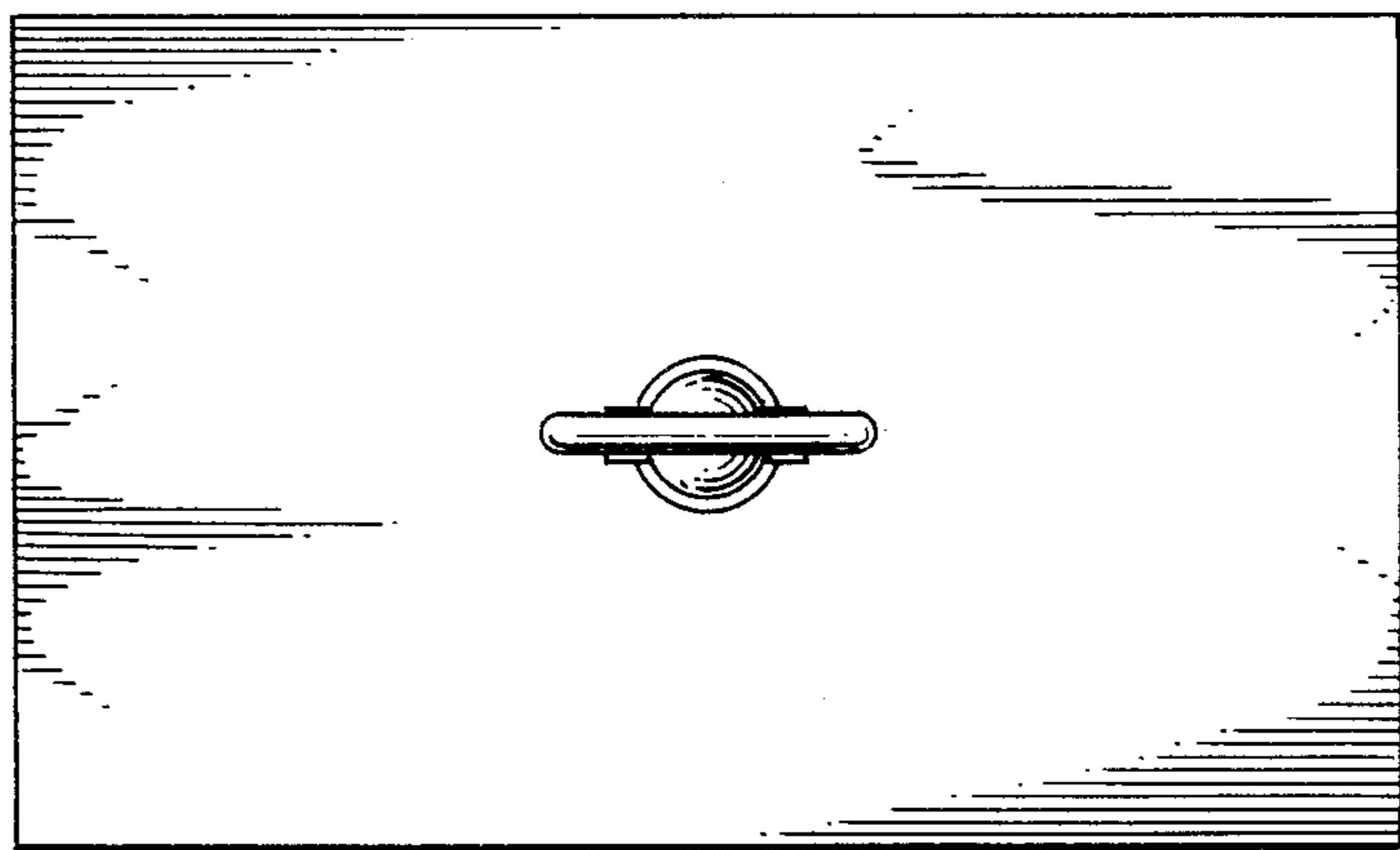


FIG. 6

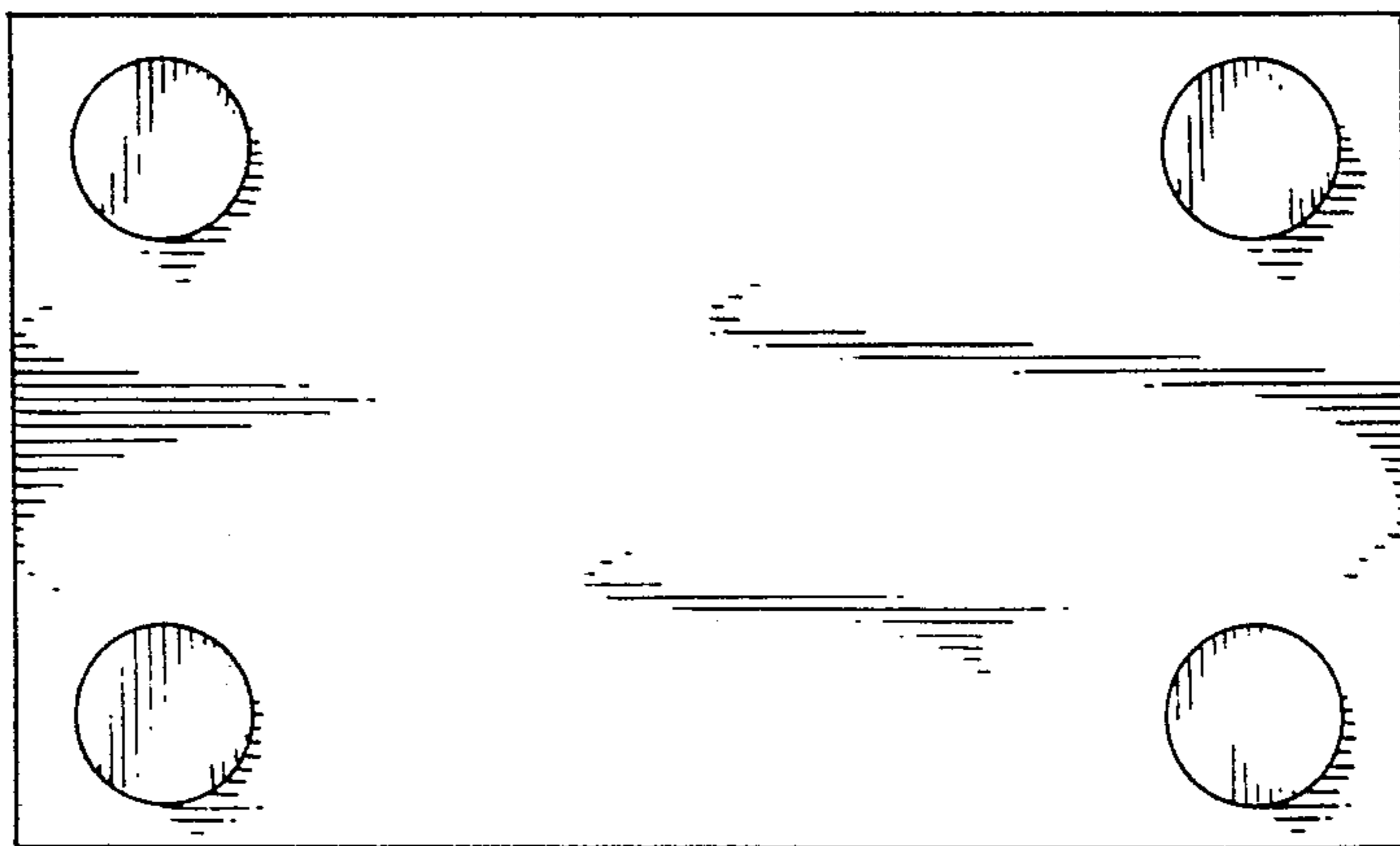


FIG. 7