

[54] **RAZOR ASSEMBLY OR THE LIKE**  
 [76] Inventor: **Wayne P. Lazarus**, Fernleigh Rd.,  
 Fernleigh via Ballina, New South  
 Wales, Australia  
 [\*\*] Term: **14 Years**  
 [21] Appl. No.: **510,585**  
 [22] Filed: **Jul. 5, 1983**  
 [52] U.S. Cl. .... **D28/47**  
 [58] Field of Search ..... **D28/44-54;**  
 30/32, 34 R, 41, 41.5, 47, 50, 85, 86, 90

4,377,034 3/1983 Druash et al. .... 30/47 X

**FOREIGN PATENT DOCUMENTS**

1045282 5/1959 Fed. Rep. of Germany .  
 1555686 1/1969 France .  
 759830 10/1956 United Kingdom .

*Primary Examiner*—Louis S. Zarfes  
*Attorney, Agent, or Firm*—Fleit, Jacobson, Cohn & Price

[57] **CLAIM**

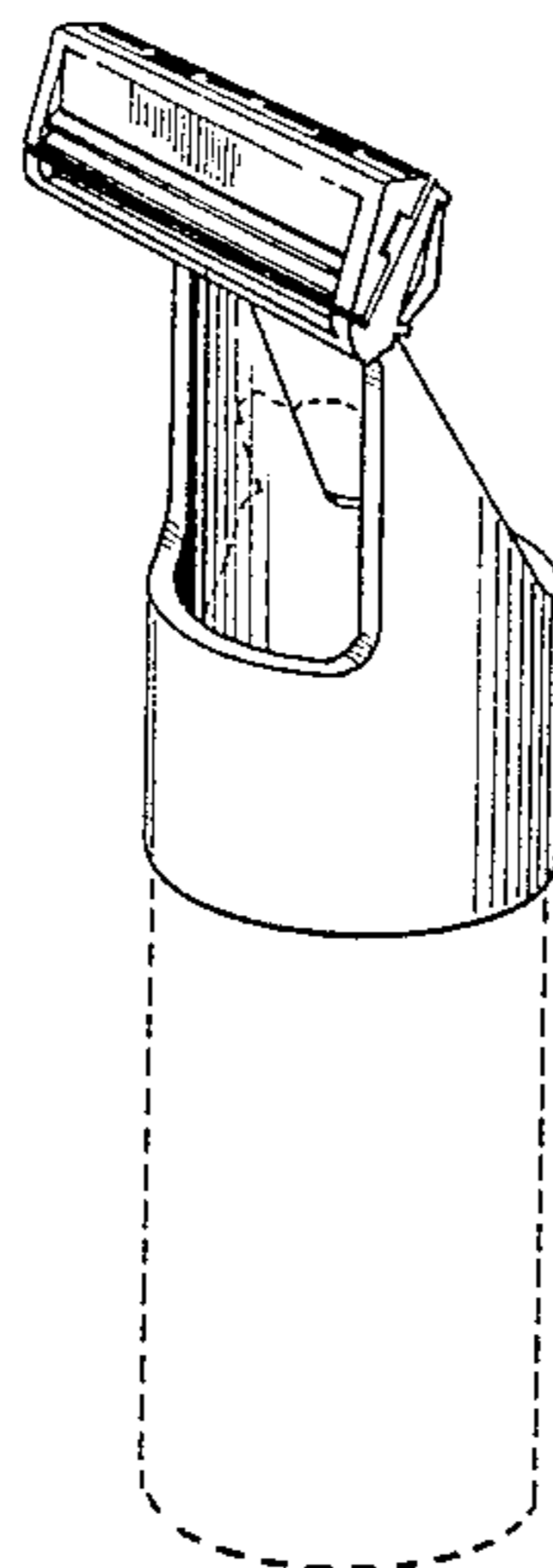
The ornamental design for a razor assembly or the like,  
 as shown and described.

**DESCRIPTION**

FIG. 1 is an exploded perspective view of a razor as-  
 sembly or the like showing my new design, the broken  
 line showing of a shaving cream can being illustrative of  
 environment only;  
 FIG. 2 is a perspective view thereof in assembled condi-  
 tion;  
 FIG. 3 is a front elevational view;  
 FIG. 4 is a rear elevational view;  
 FIG. 5 is a right side elevational view;  
 FIG. 6 is a top plan view; and  
 FIG. 7 is a bottom plan view.  
 The right side not shown is the same as the left side  
 shown in FIG. 5. The auxiliary structure in the form of  
 a shaving cream can is shown in phantom and does not  
 form part of the design.

[56] **References Cited**  
**U.S. PATENT DOCUMENTS**

D. 242,902	1/1977	Hackmyer	.....	D28/47 X
1,867,980	7/1932	Melka	.	
2,300,512	11/1942	Landau	.....	30/34
2,686,361	8/1954	Resnick et al.	.....	30/41
2,786,270	3/1957	Orlando et al.	.....	30/41
2,866,265	12/1958	Kells	.....	30/41
3,176,391	4/1965	Resnick et al.	.....	30/41
3,417,468	12/1968	Miyauchi	.....	30/41
3,726,009	4/1973	Hackmyer	.....	D28/44 X
3,726,009	4/1973	Hackmyer	.....	30/41
3,783,511	1/1974	Pass	.....	30/41
4,023,269	5/1977	Lopez, Jr.	.....	30/41
4,077,119	3/1978	Sellers	.....	30/41



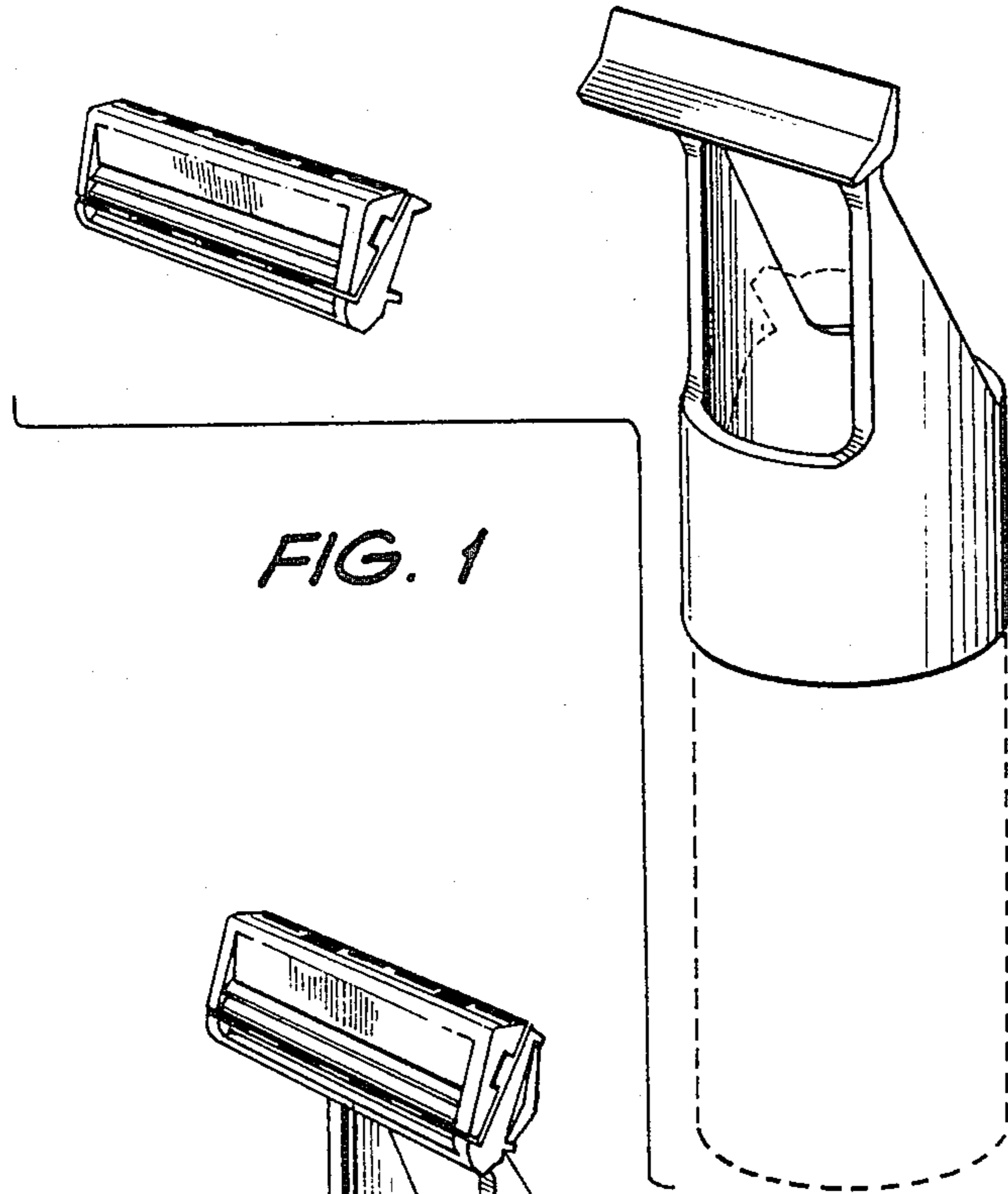


FIG. 1

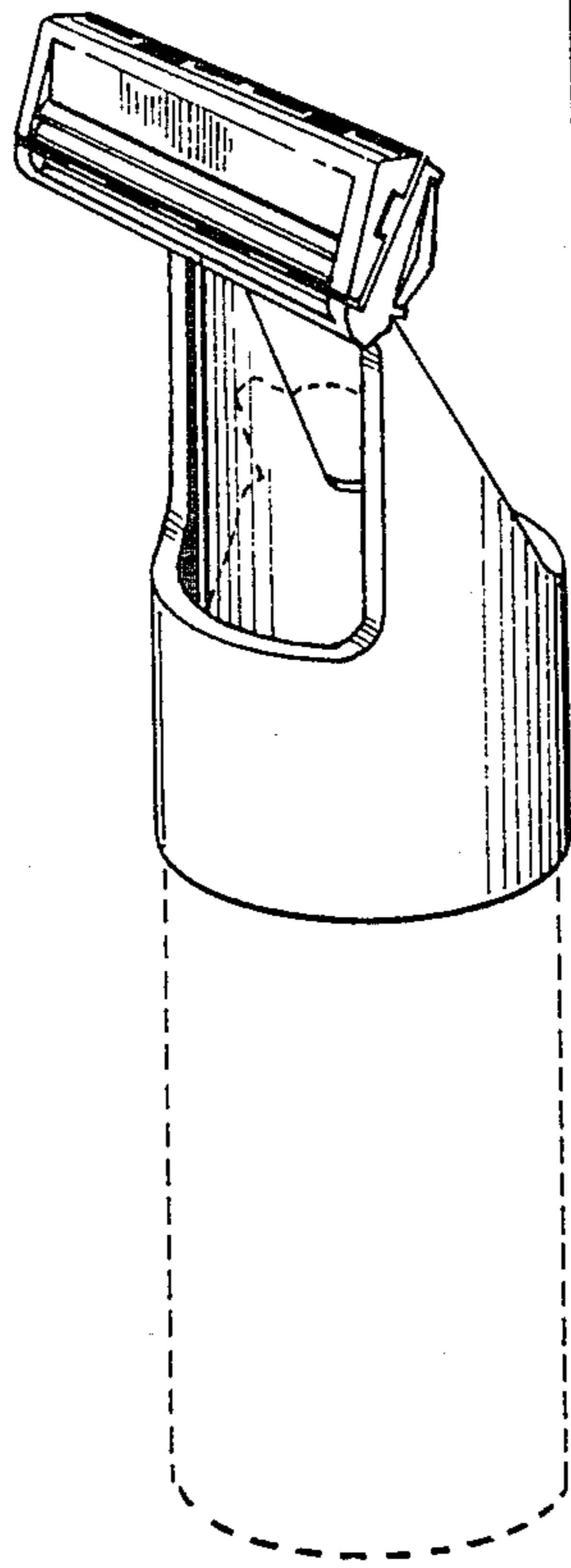


FIG. 2

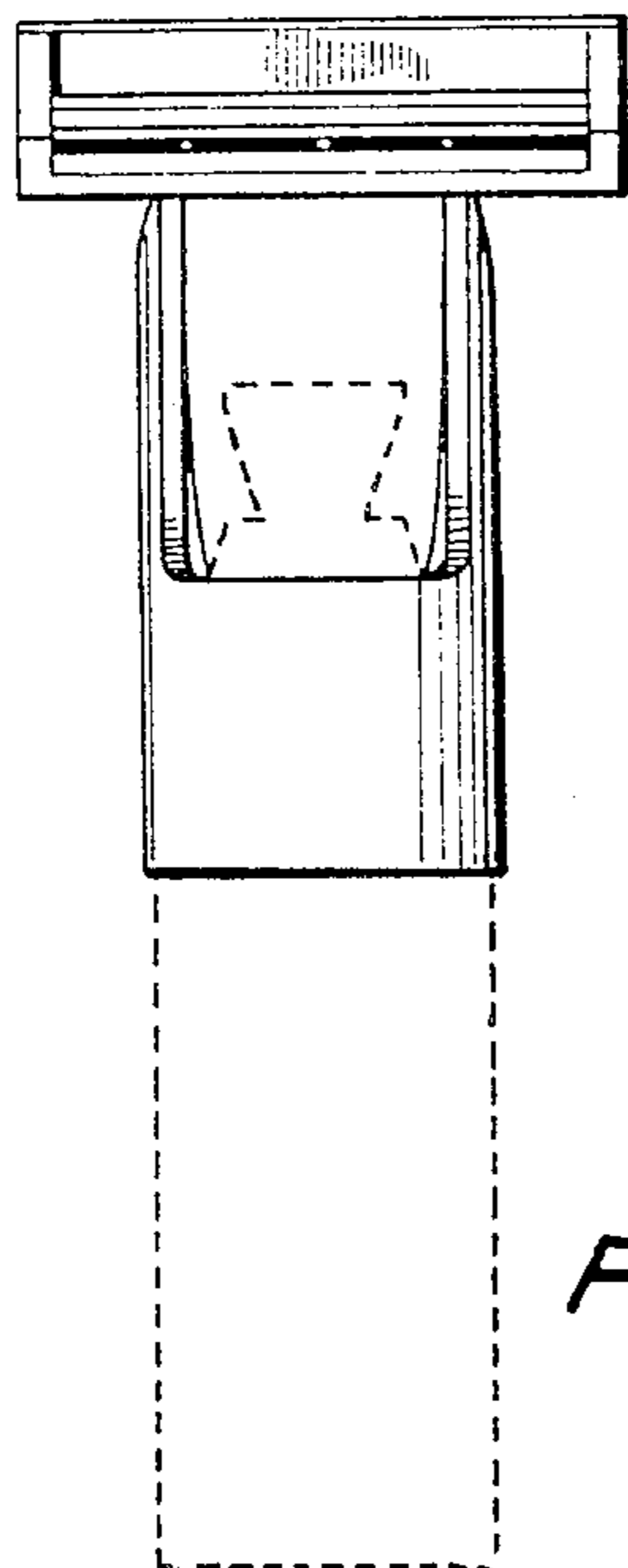


FIG. 3

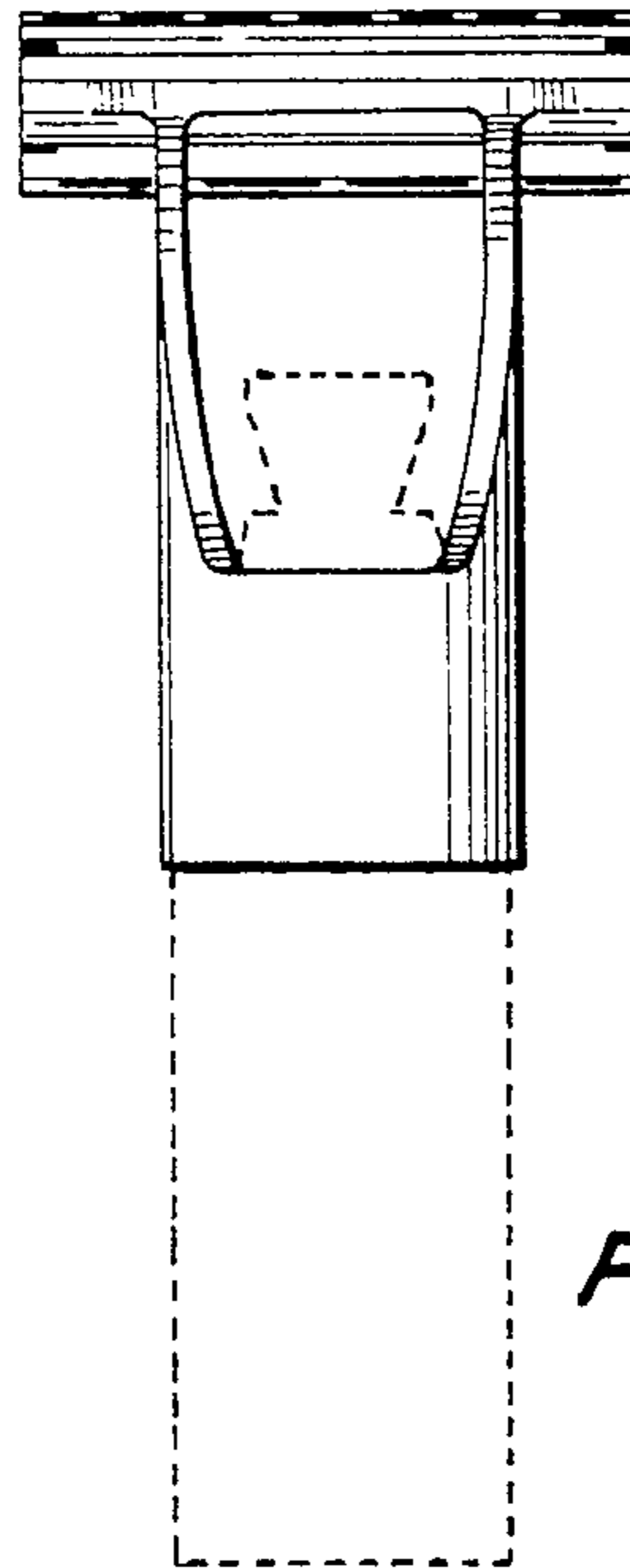


FIG. 4

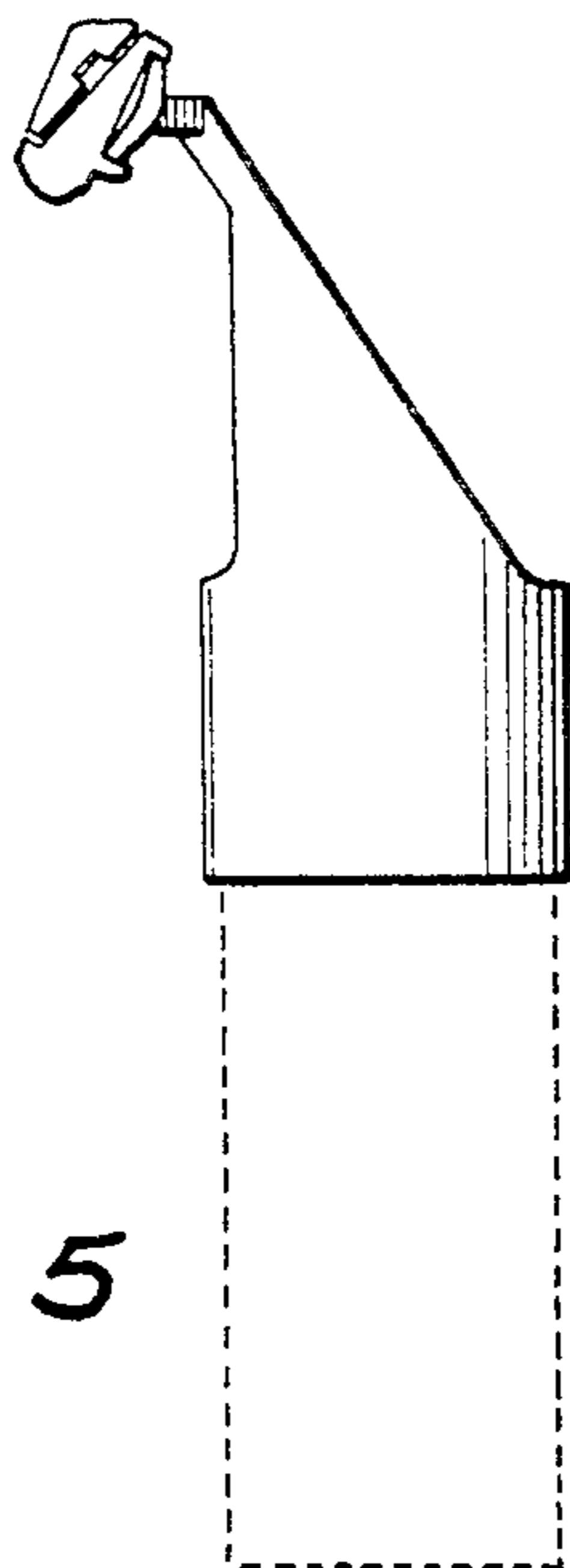


FIG. 5

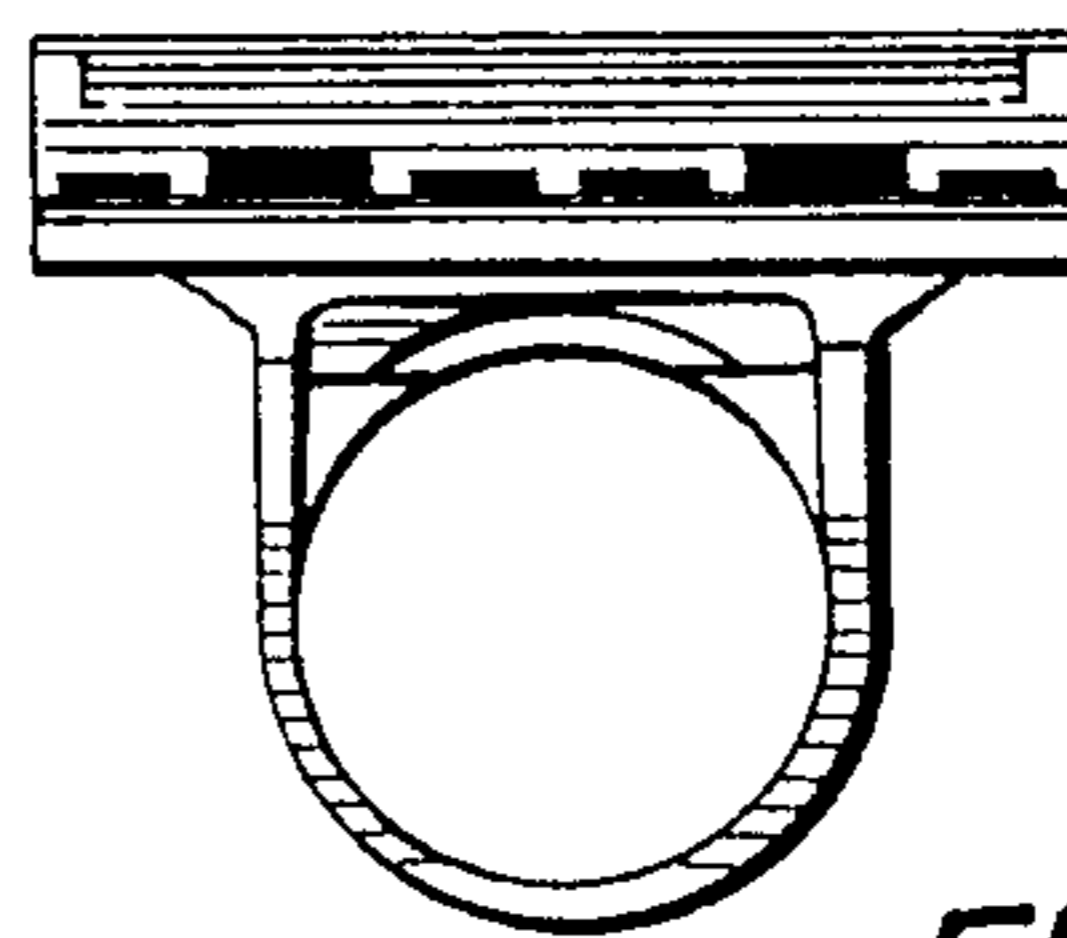


FIG. 6

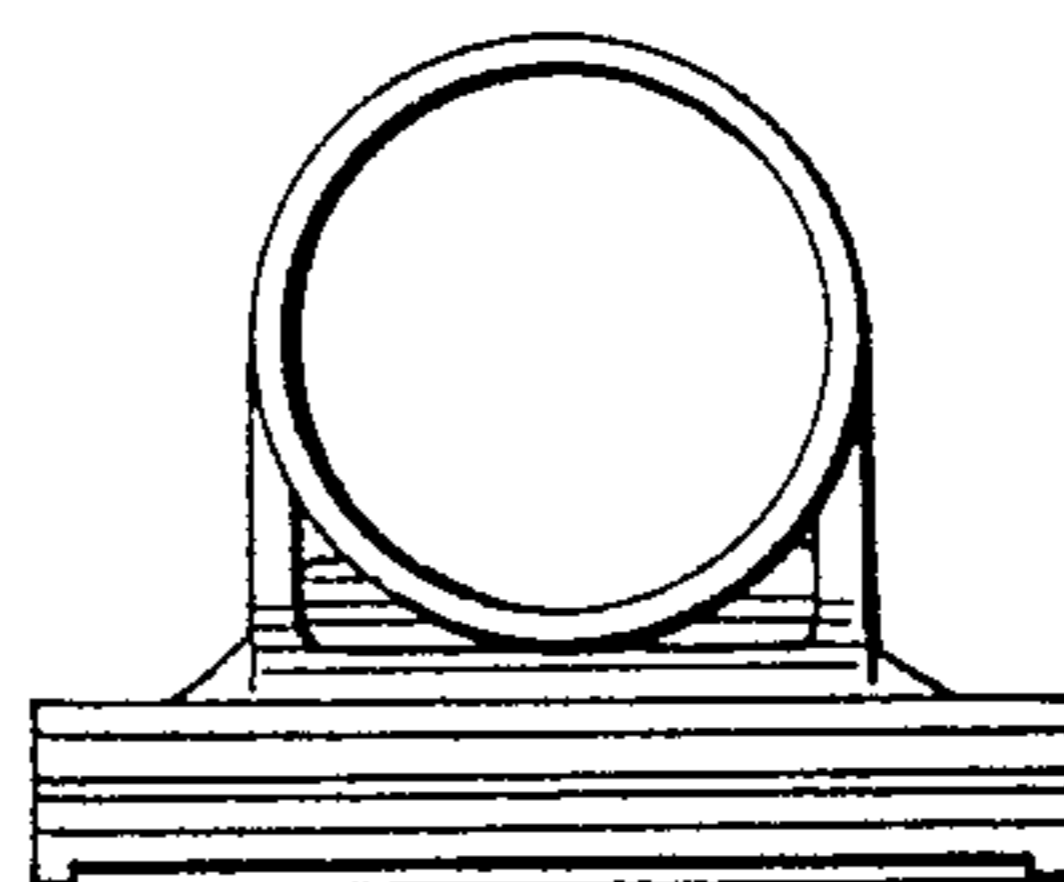


FIG. 7