

[54] **COMPACT LIGHT**

[75] **Inventors:** John F. Schosser, New Fairfield;
Roger K. Gleason, Stratford, both of
Conn.; Charles M. Dole, Purdys,
N.Y.; Max Us, Bridgeport, Conn.;
Bradley Burke, Dundee, N.Y.

[73] **Assignee:** Duracell Inc., Bethel, Conn.

[**] **Term:** 14 Years

[21] **Appl. No.:** 473,164

[22] **Filed:** Mar. 7, 1983

[52] **U.S. Cl.** D26/46

[58] **Field of Search** D26/37-50;
362/157, 158, 183, 184, 186-192, 194-208

[56] **References Cited**

U.S. PATENT DOCUMENTS

D. 198,468 6/1964 Doring D26/49

D. 205,679 9/1966 Moore et al. D26/46
2,934,635 4/1960 Cheng D26/49 X
3,017,502 1/1962 Dent 362/205
3,345,508 10/1967 Chung 362/196

Primary Examiner—Susan J. Lucas
Attorney, Agent, or Firm—Ronald S. Cornell; Israel
Nissenbaum

[57] **CLAIM**

The ornamental design for a compact light, substantially shown and described.

DESCRIPTION

FIG. 1 is a left side elevational view of a compact light embodying our new design, the right side elevational view being a mirror image thereof; FIG. 2 is a top view thereof; FIG. 3 is a bottom view thereof; FIG. 4 is a front end view thereof; and FIG. 5 is a rear end view thereof.

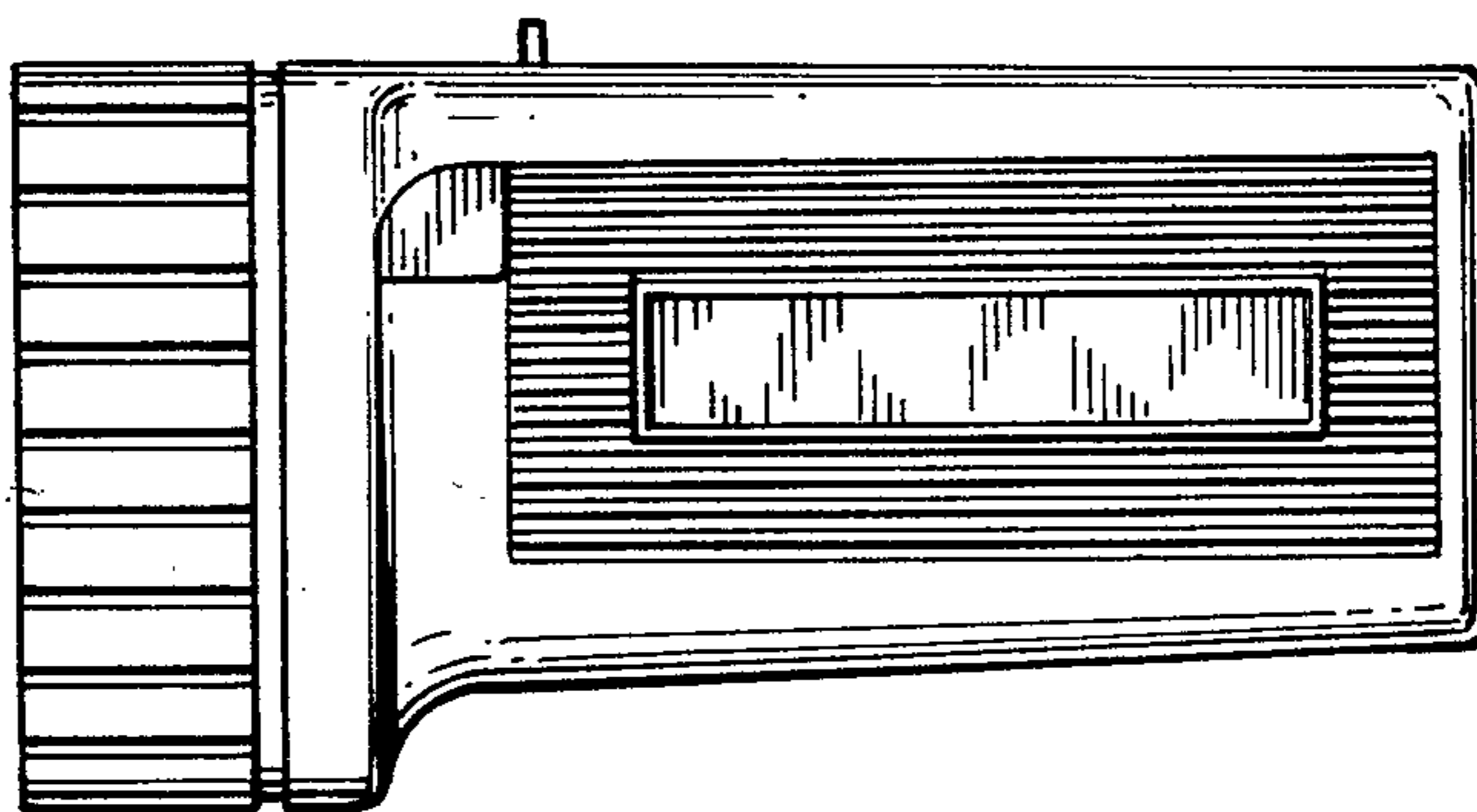


Fig. 1.

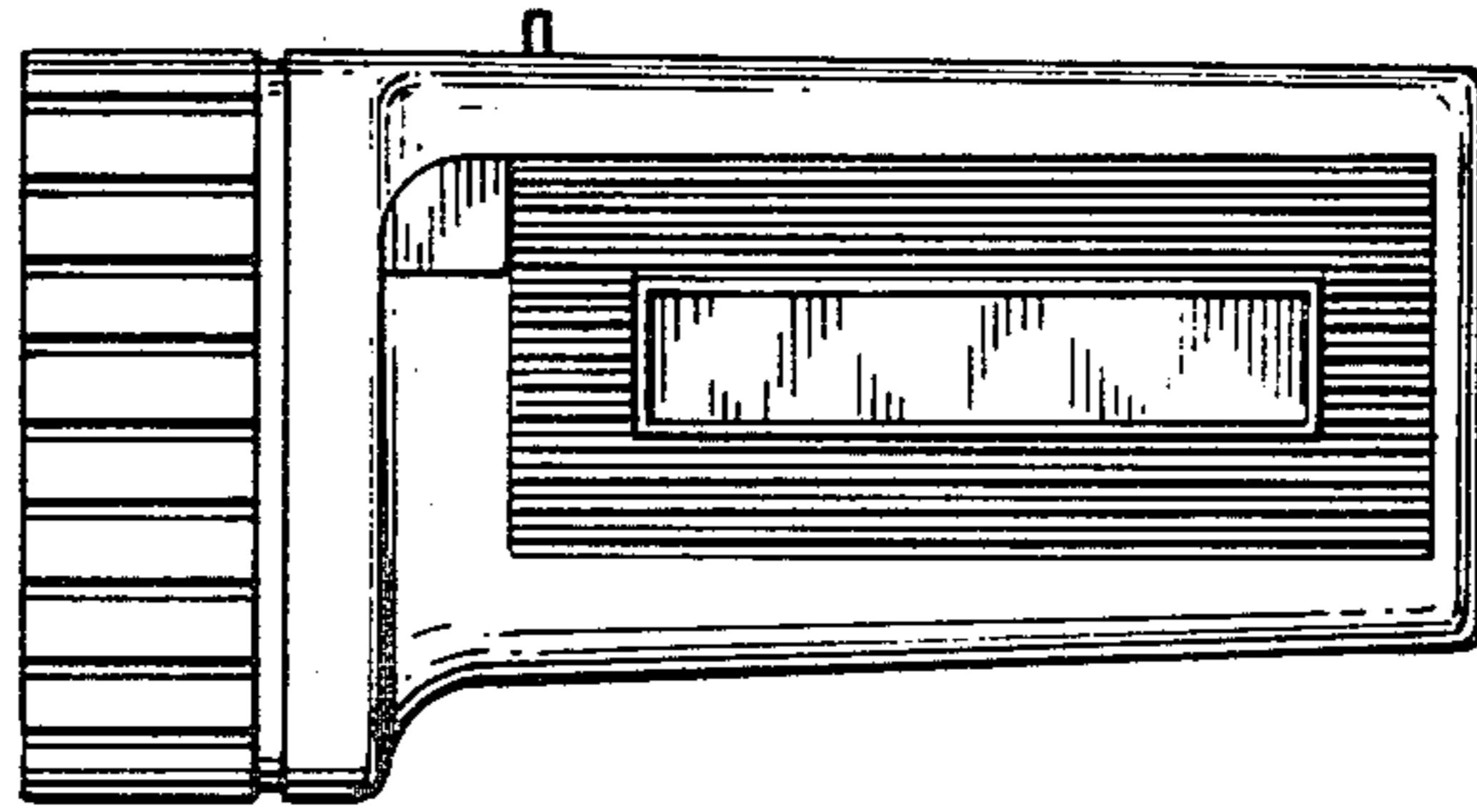


Fig. 2.

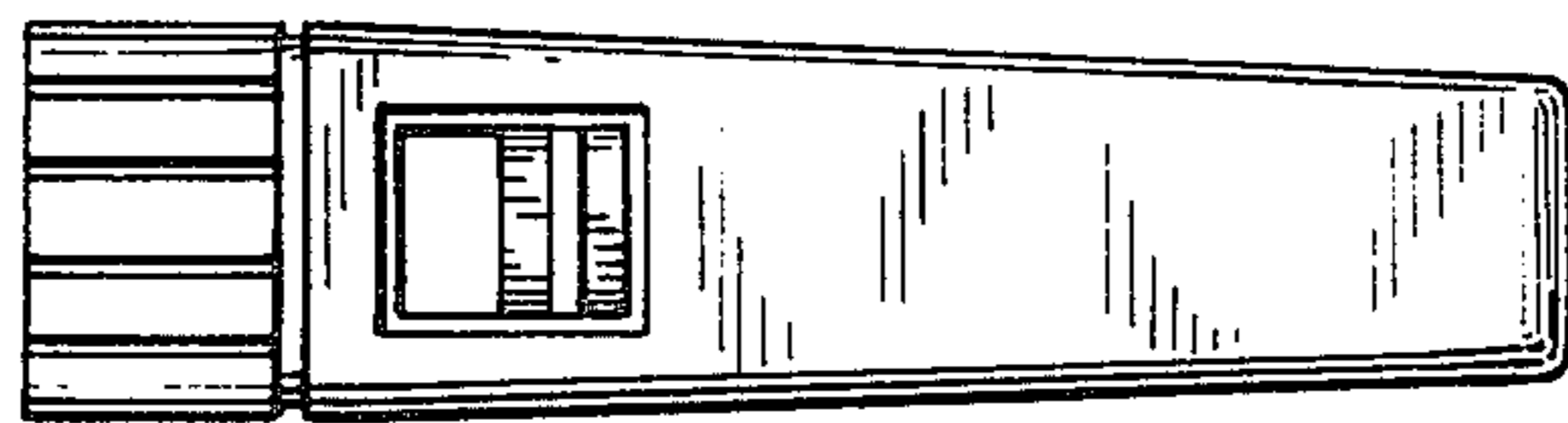


Fig. 3.

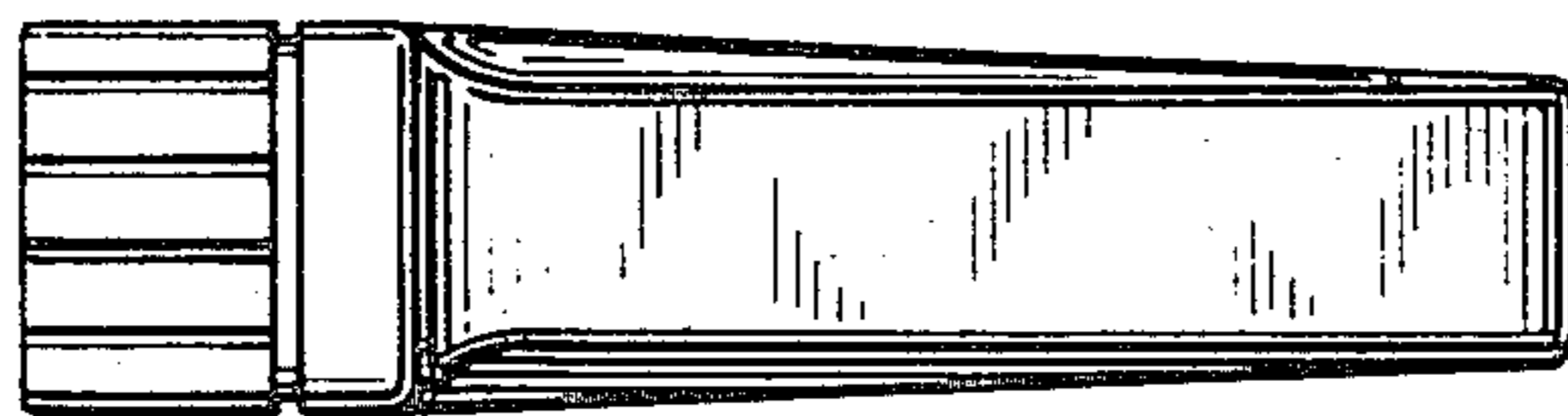


Fig. 4.

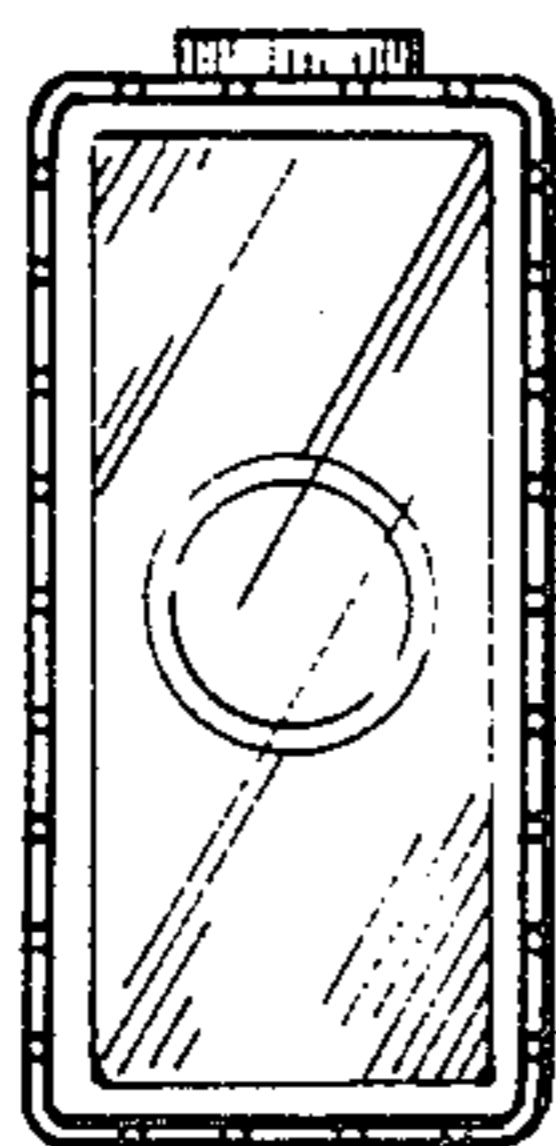


Fig. 5.

