

[54] ELECTRONIC URINE MONITOR

[56]

References Cited

U.S. PATENT DOCUMENTS

[75] Inventors: Larry K. Blankenship, Ramona; Joseph Manno, La Jolla, both of Calif.

4,343,316 8/1982 Jespersen 128/771
4,396,386 8/1983 Kurtz et al. 604/318
4,448,207 5/1984 Parrish 73/861

[73] Assignee: Vitalmetrics, Inc., San Diego, Calif.

Primary Examiner—A. Hugo Word
Attorney, Agent, or Firm—Freilich, Hornbaker, Rosen & Fernandez

[**] Term: 14 Years

[57] CLAIM

The ornamental design for an electronic urine monitor, substantially as shown.

[21] Appl. No.: 443,305

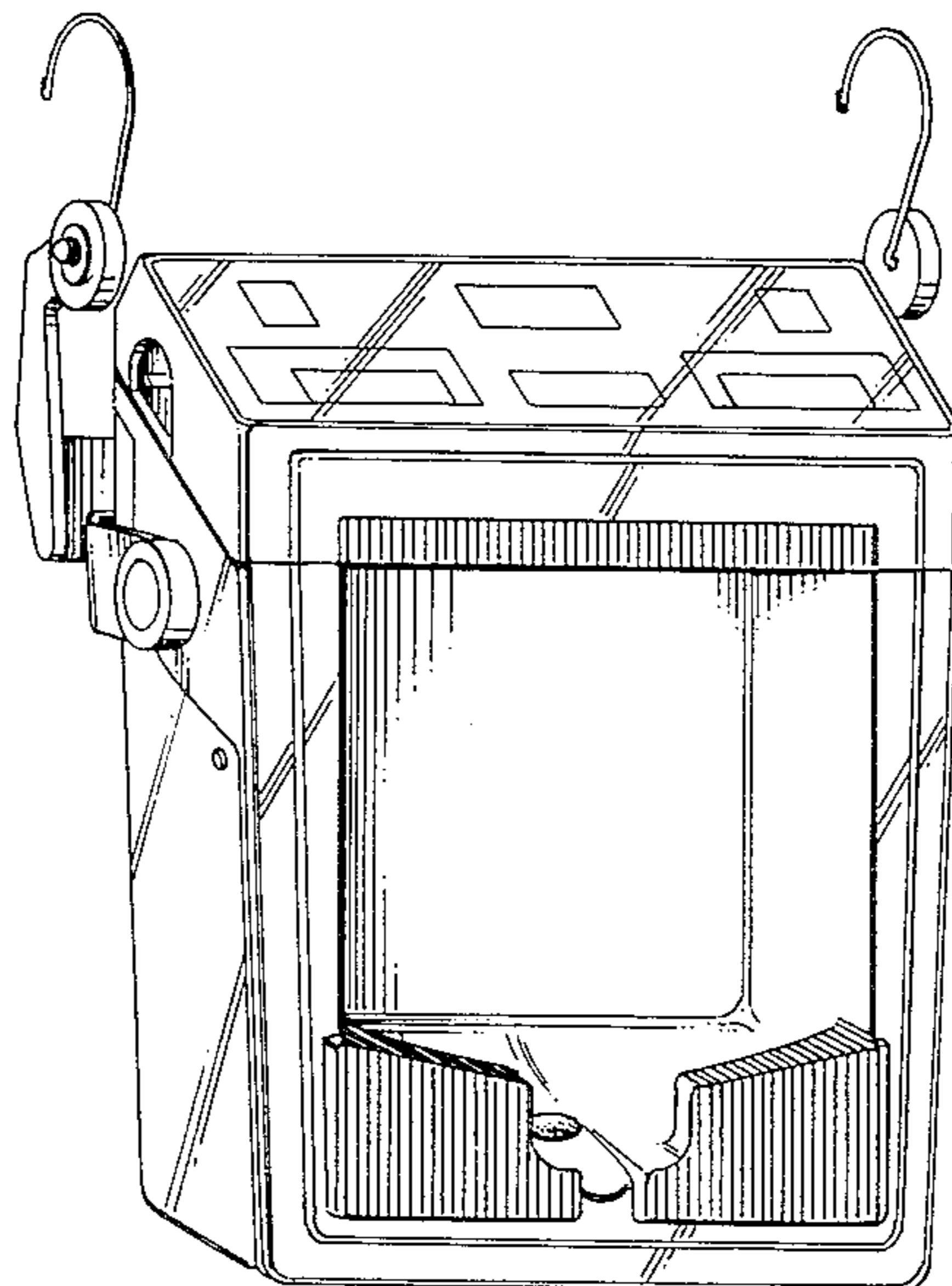
DESCRIPTION

[22] Filed: Nov. 22, 1982

[52] U.S. Cl. D24/17

[58] Field of Search D24/17, 3, 1.1, 51, D24/56; 73/427, 864.81, 2, 3, 864.51, 864.21; 128/771, 768

FIG. 1 is a front perspective view of an electronic urine monitor showing our new design; FIG. 2 is a top view thereof; FIG. 3 is a side view thereof; FIG. 4 is a bottom view thereof; and FIG. 5 is a rear view thereof.



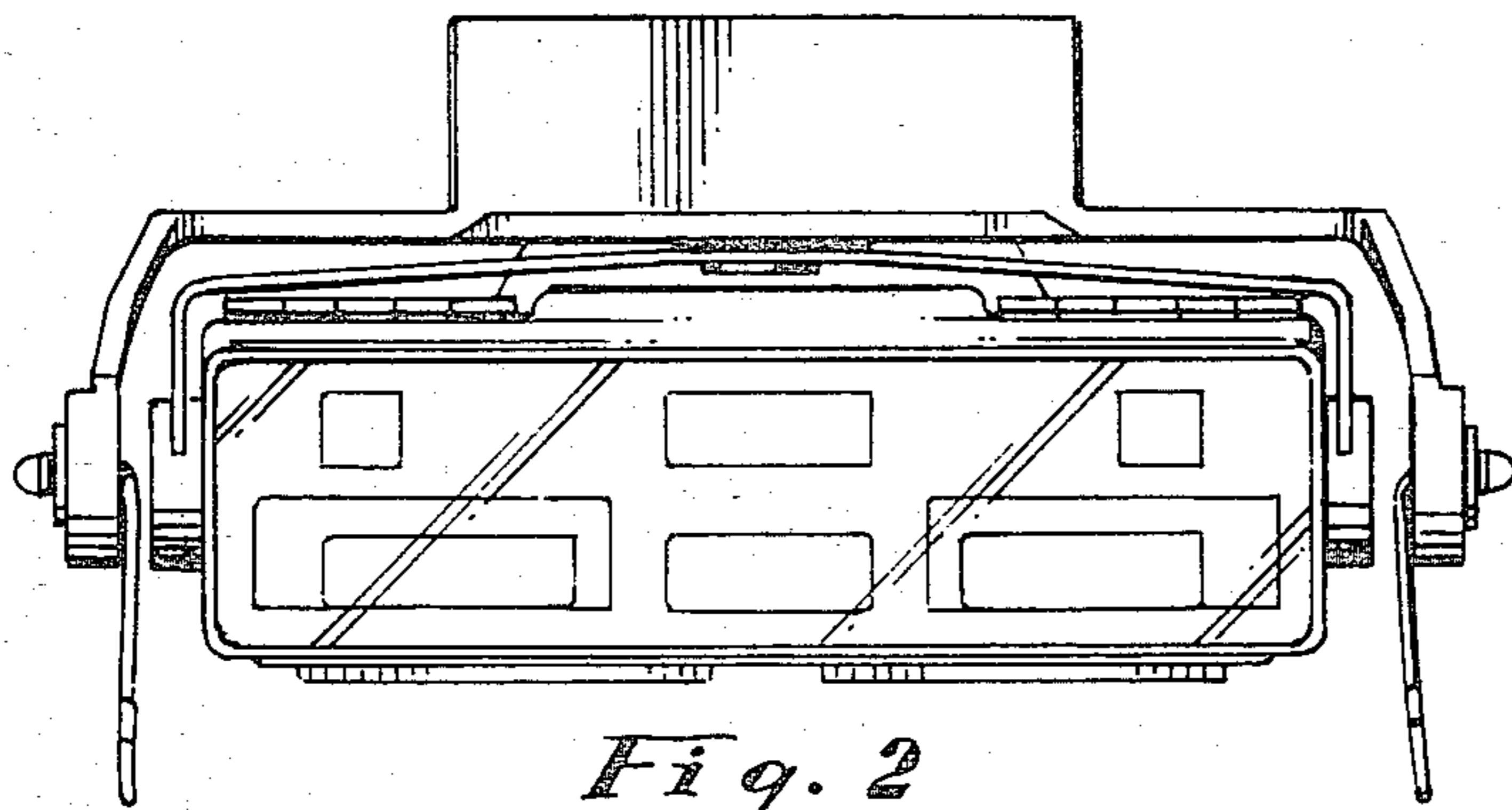


Fig. 2

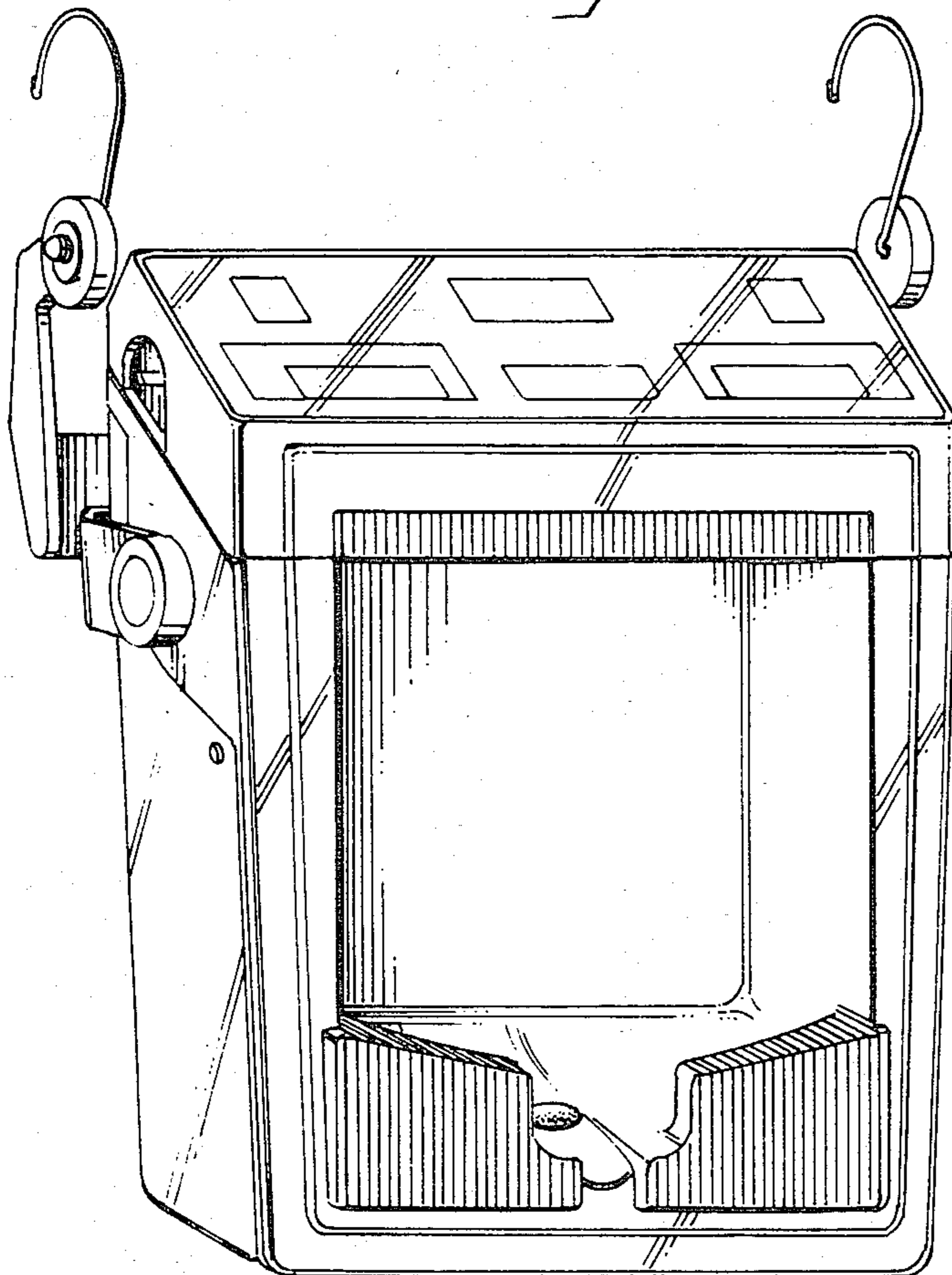


Fig. 1

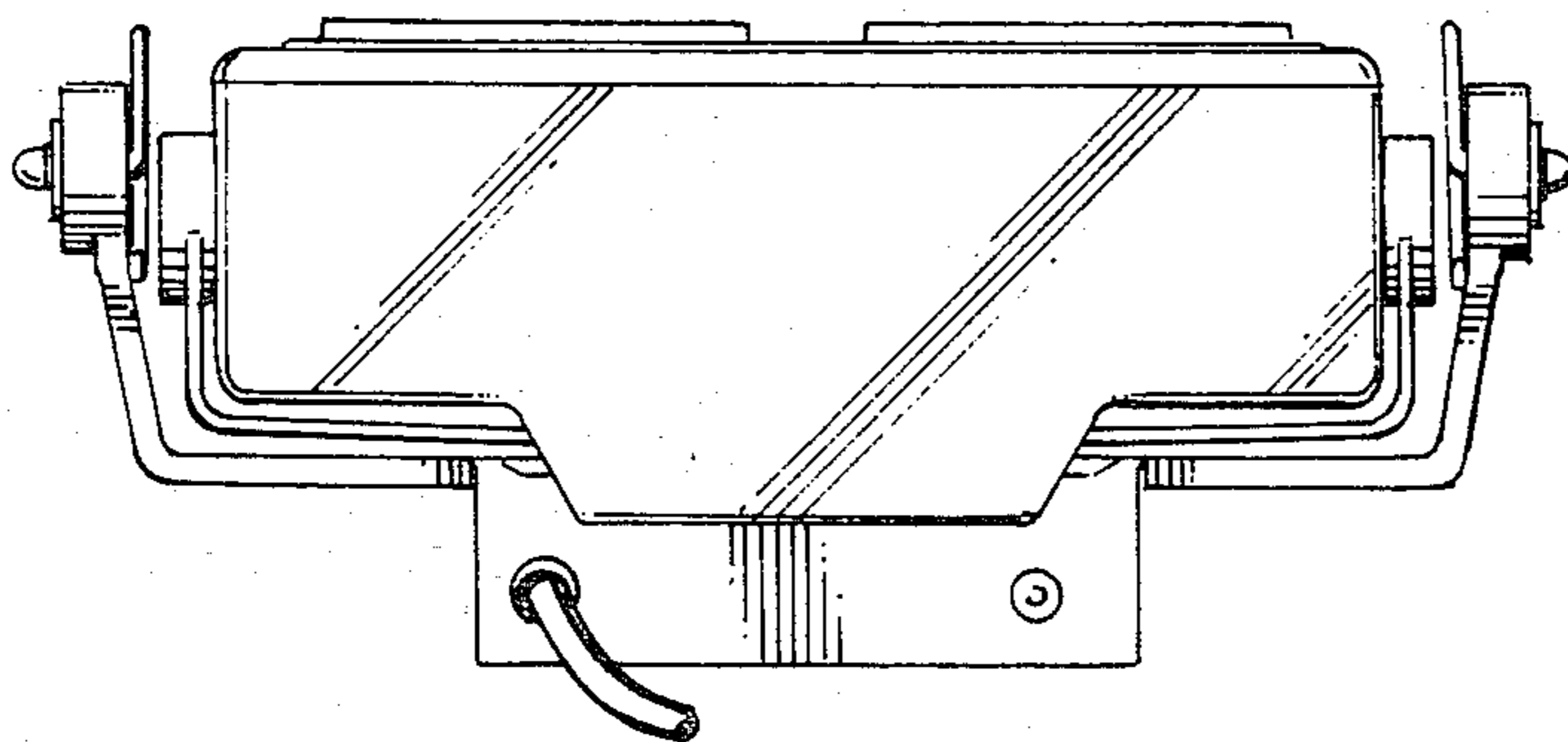


Fig. 4

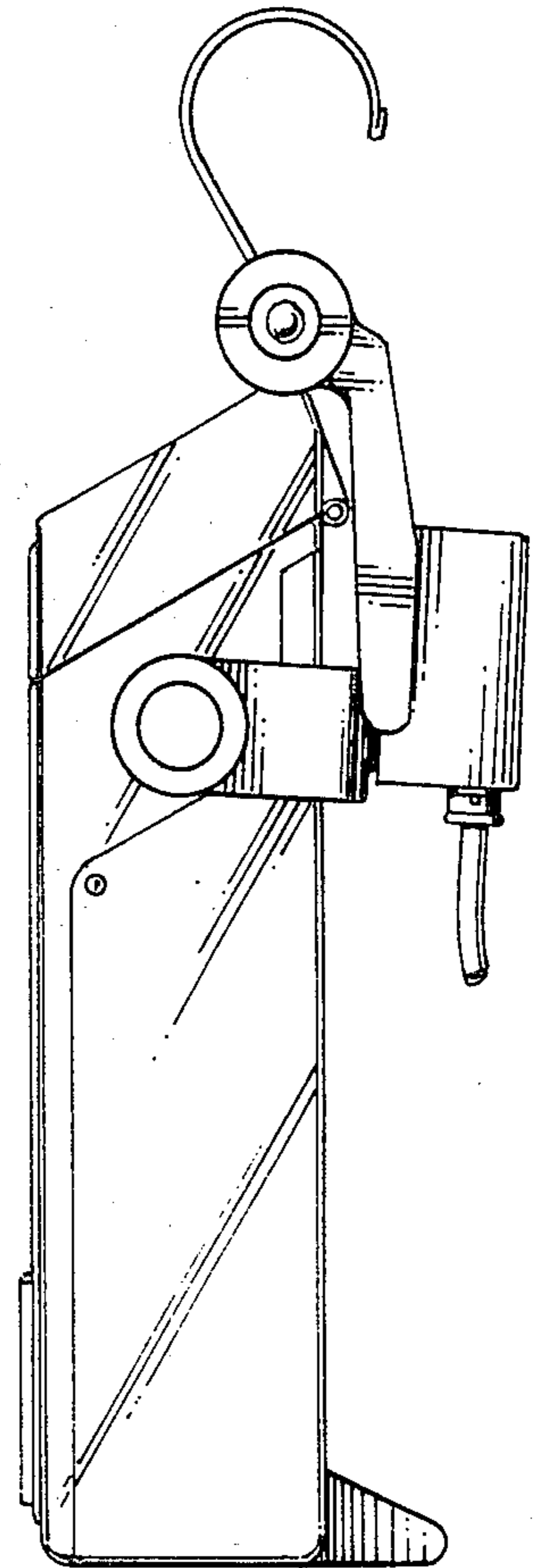


Fig. 3

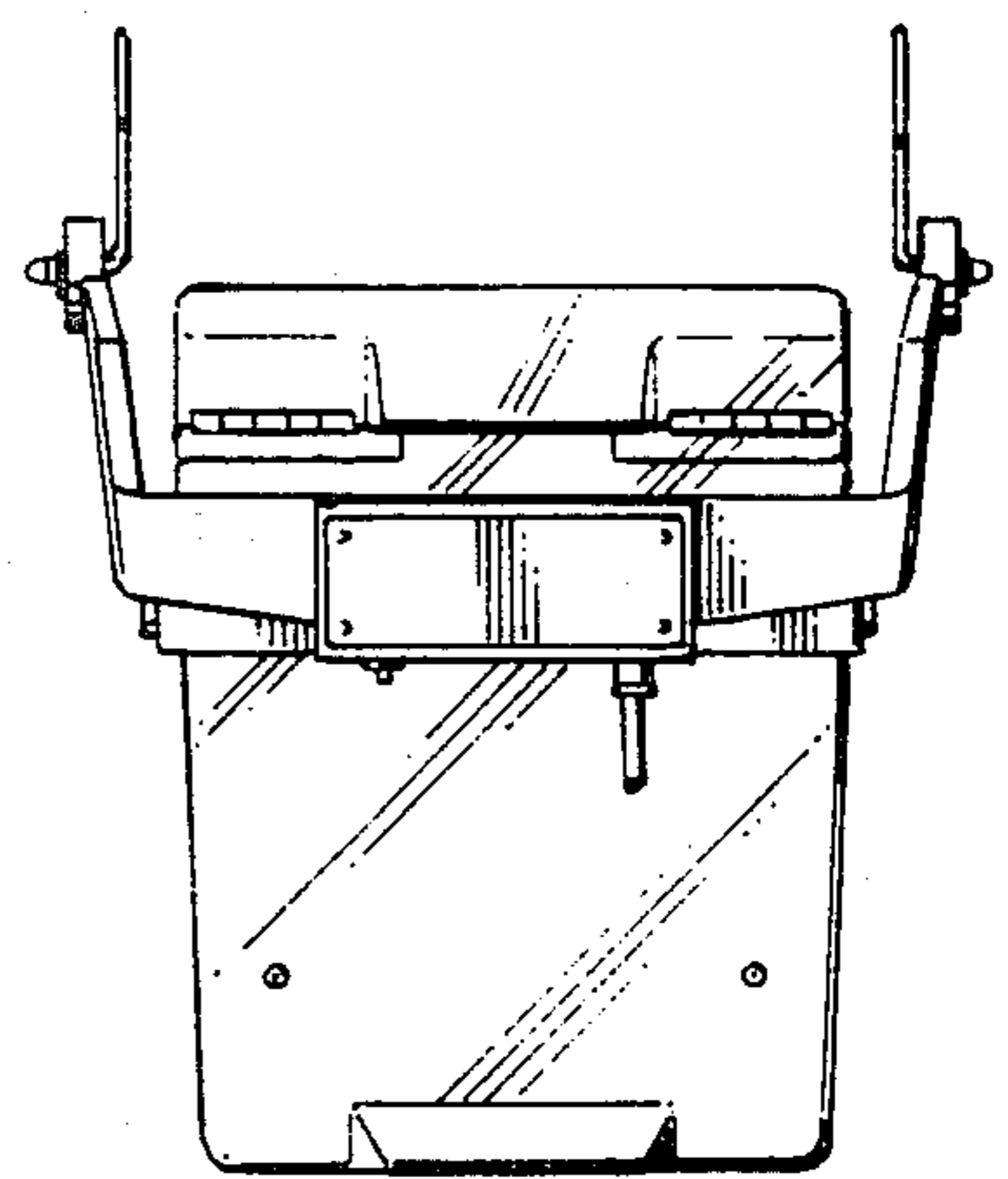


Fig. 5