

[54] FAN

[76] Inventor: James M. Wimsatt, P.O. Box 6855, Reno, Nev. 89513

[**] Term: 14 Years

[21] Appl. No.: 458,106

[22] Filed: Jan. 14, 1983

[52] U.S. Cl. D23/155

[58] Field of Search D23/151-164; 415/121 G, 216, 217; 416/5, 63, 170 C, 170 R, 204, 247 R

[56]

References Cited

U.S. PATENT DOCUMENTS

D. 135,211	3/1943	Weber	D23/155
D. 167,759	9/1952	McFarland	D23/155
D. 174,930	6/1955	Tateishi	D23/156
D. 207,361	4/1967	Bruns	D23/155
D. 253,965	1/1980	Ehrentraut-Jones	D23/155

D. 254,566	3/1980	Cummins	D23/155
D. 276,551	11/1984	Morooka	D23/155
2,345,516	3/1944	Weber	416/247 X
2,950,859	8/1960	Kirk	D23/155 X
2,968,457	1/1961	Krauss	D23/155 X
4,341,151	7/1982	Sakamoto	416/247 R X

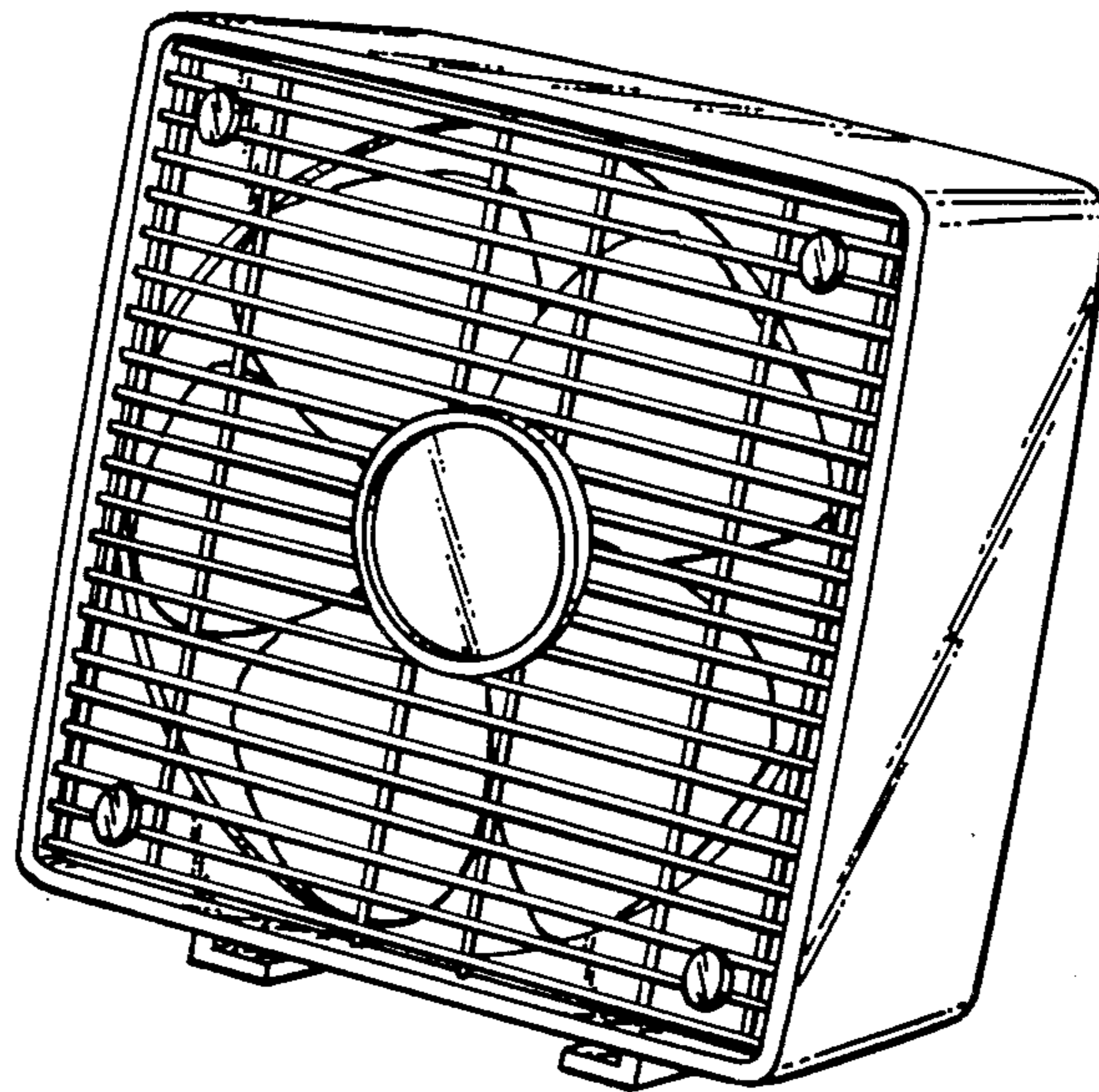
Primary Examiner—James R. Largen
Attorney, Agent, or Firm—Townsend and Townsend

[57] CLAIM

The ornamental design for fan, as shown and described.

DESCRIPTION

FIG. 1 is a front perspective view of a fan showing my new design;
FIG. 2 is a top plan view thereof;
FIG. 3 is a front elevational view thereof;
FIG. 4 is a right side elevational view thereof, the left side being a mirror image of the right side shown;
FIG. 5 is a rear elevational view thereof; and
FIG. 6 is a bottom plan view thereof.



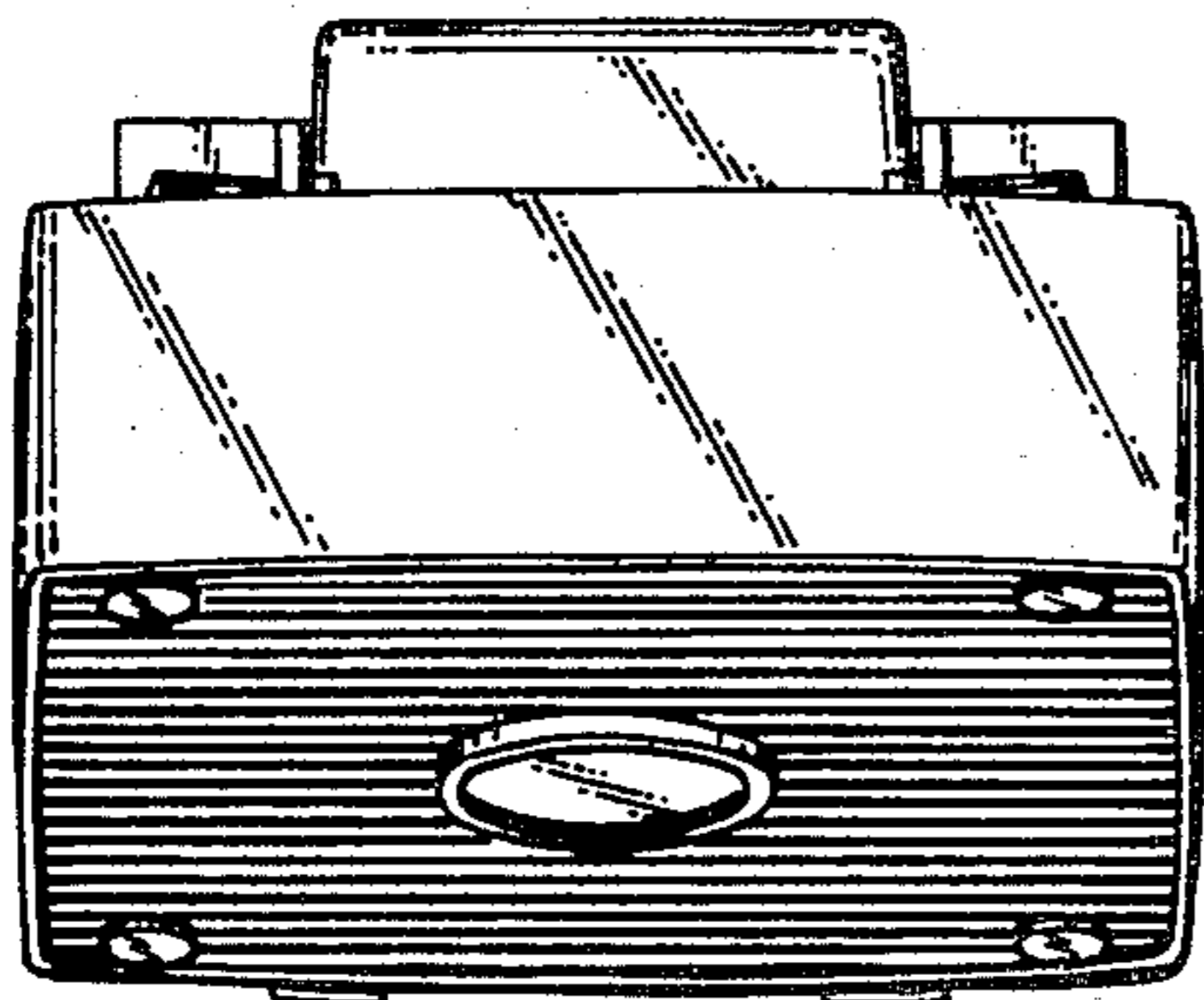


FIG. 2.

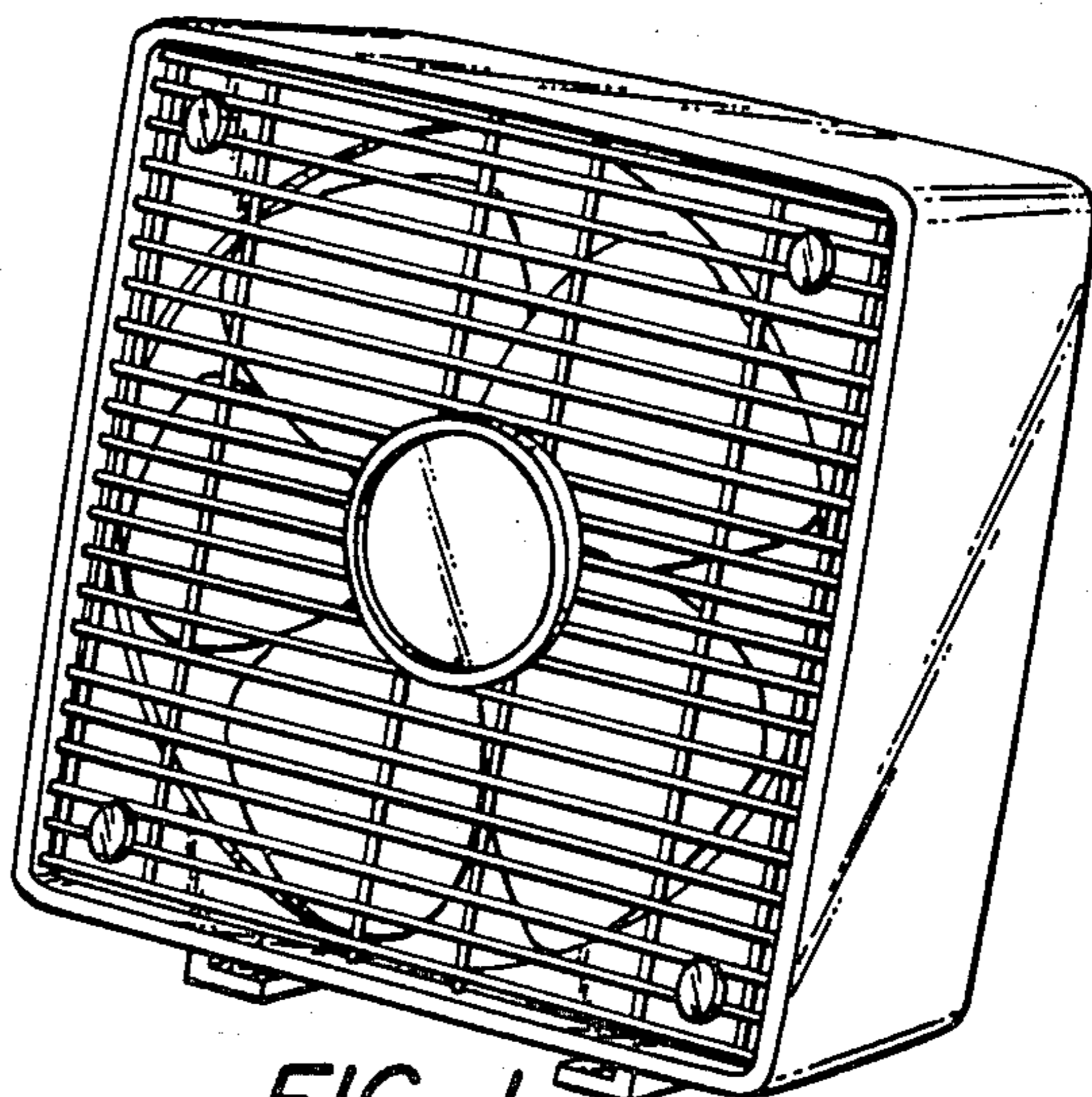


FIG. 1.

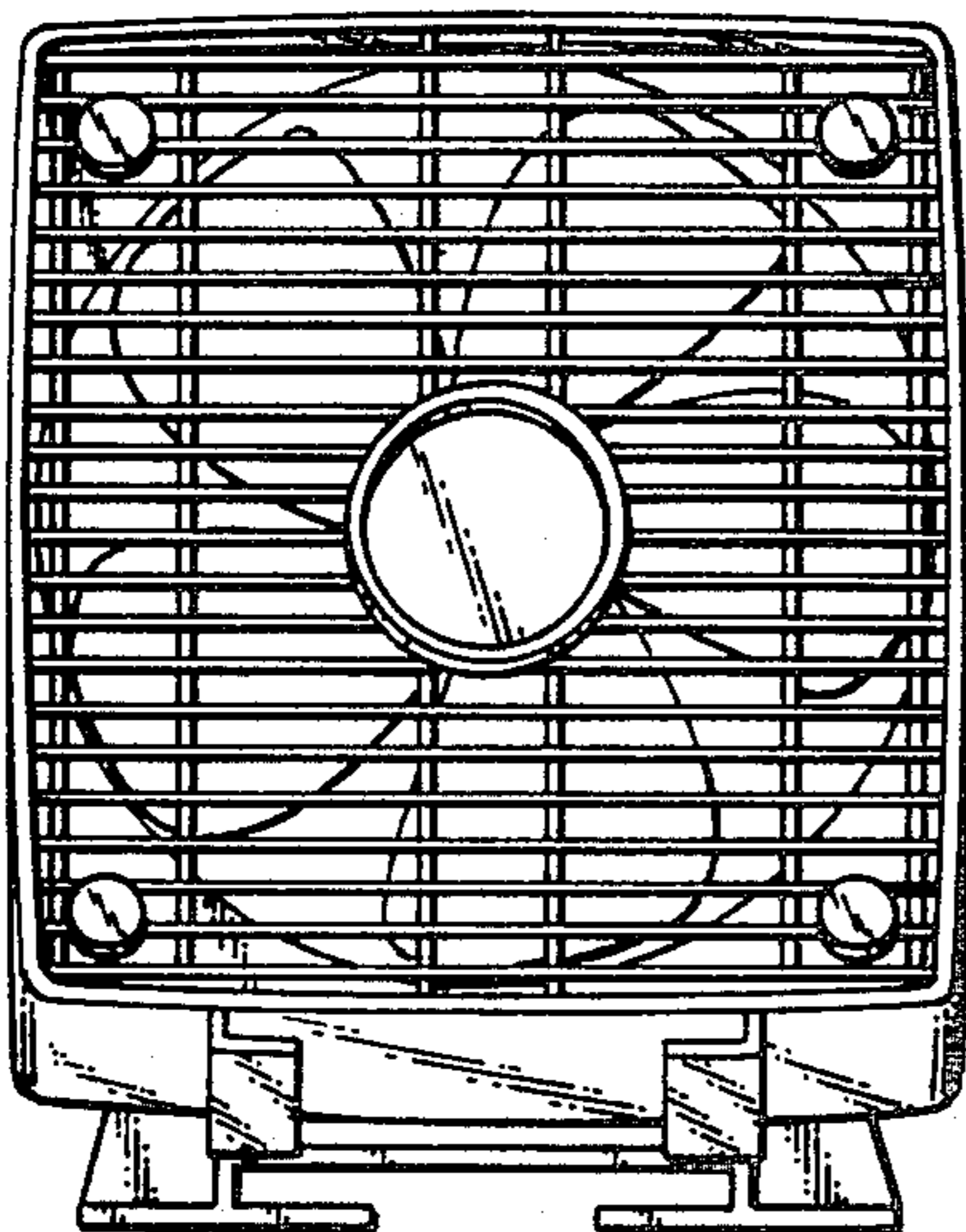


FIG. 3.

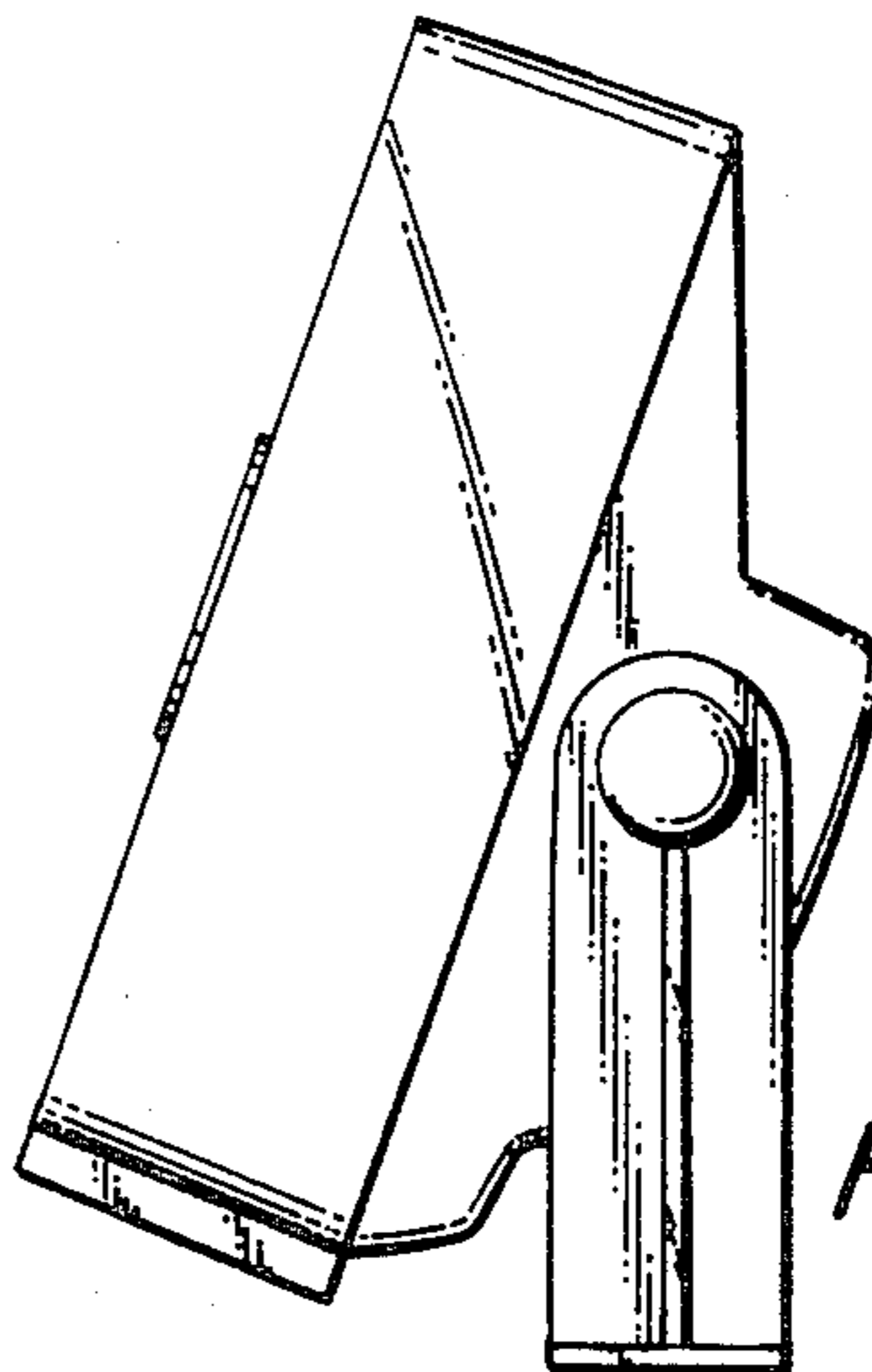


FIG. 4.

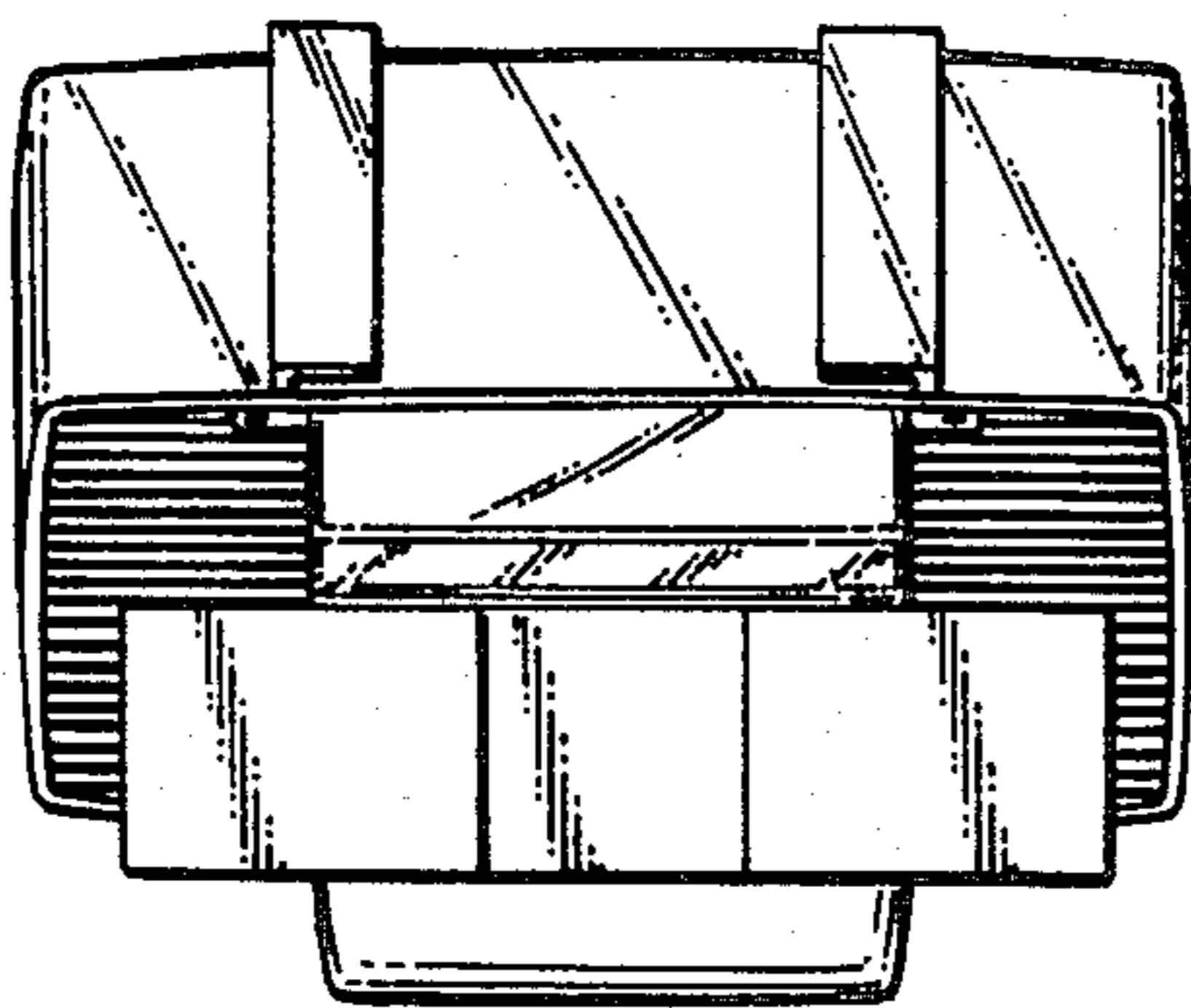


FIG. 6.

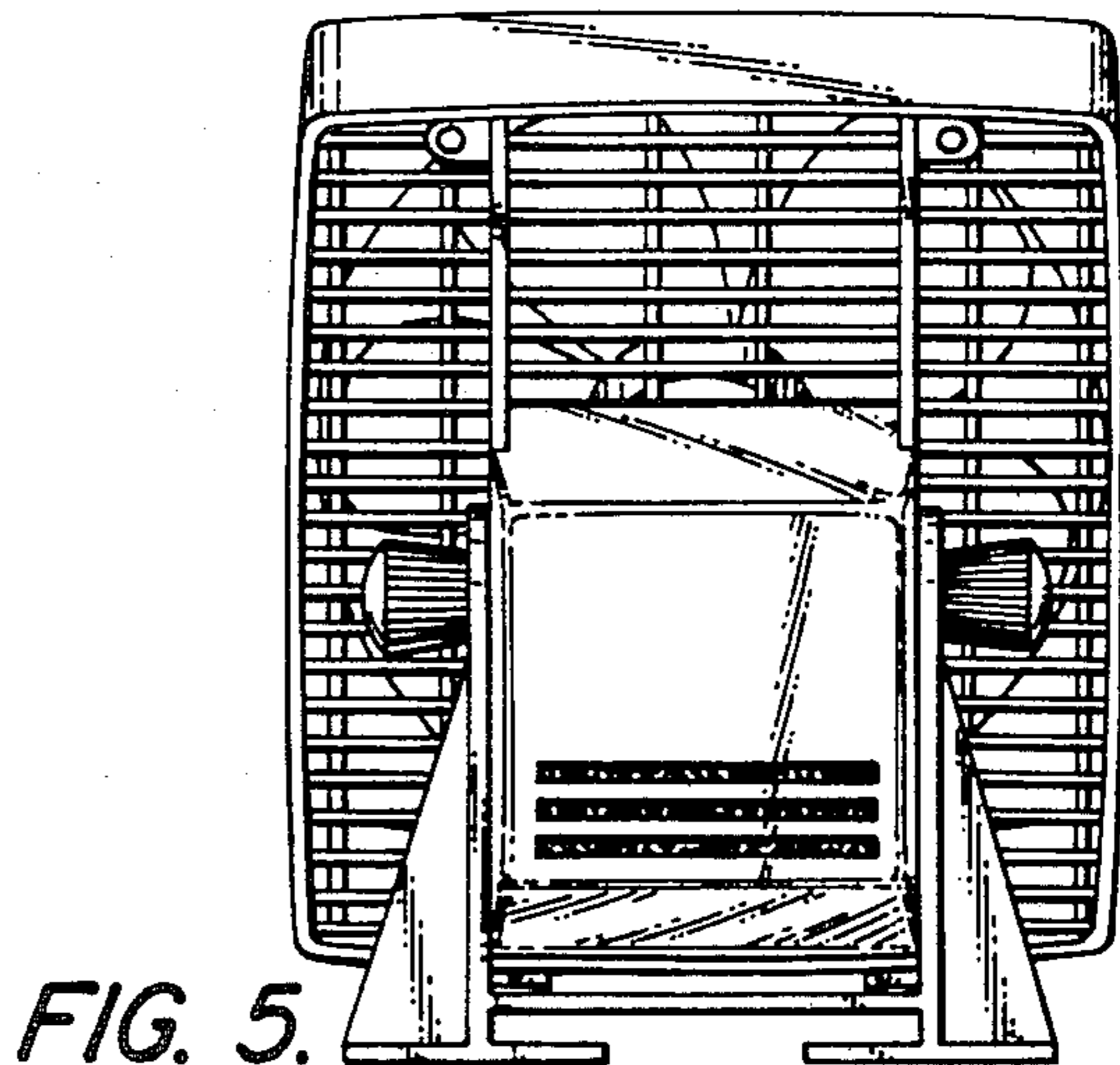


FIG. 5.