

[54] ROTATABLE CHIMNEY COWL

[76] Inventor: Timothy A. Feuz, 2007 NE. 104th St., Vancouver, Wash. 98665

[**] Term: 14 Years

[21] Appl. No.: 467,915

[22] Filed: Feb. 18, 1983

[52] U.S. Cl. D23/154

[58] Field of Search D23/151-163; 98/68-71

488,074	12/1892	Iwan	98/71
870,976	11/1907	Ludwig	D23/154 X
1,407,179	2/1922	Tidwell	98/68
1,483,130	2/1924	Sylvan	98/71
1,831,189	11/1931	Obermark	98/70
2,188,709	6/1940	Friedman	98/68
2,223,003	11/1940	Friedman	98/68

Primary Examiner—James R. Largen
Attorney, Agent, or Firm—James D. Givnan, Jr.

[57] CLAIM

The ornamental design for a rotatable chimney cowl, as shown and described.

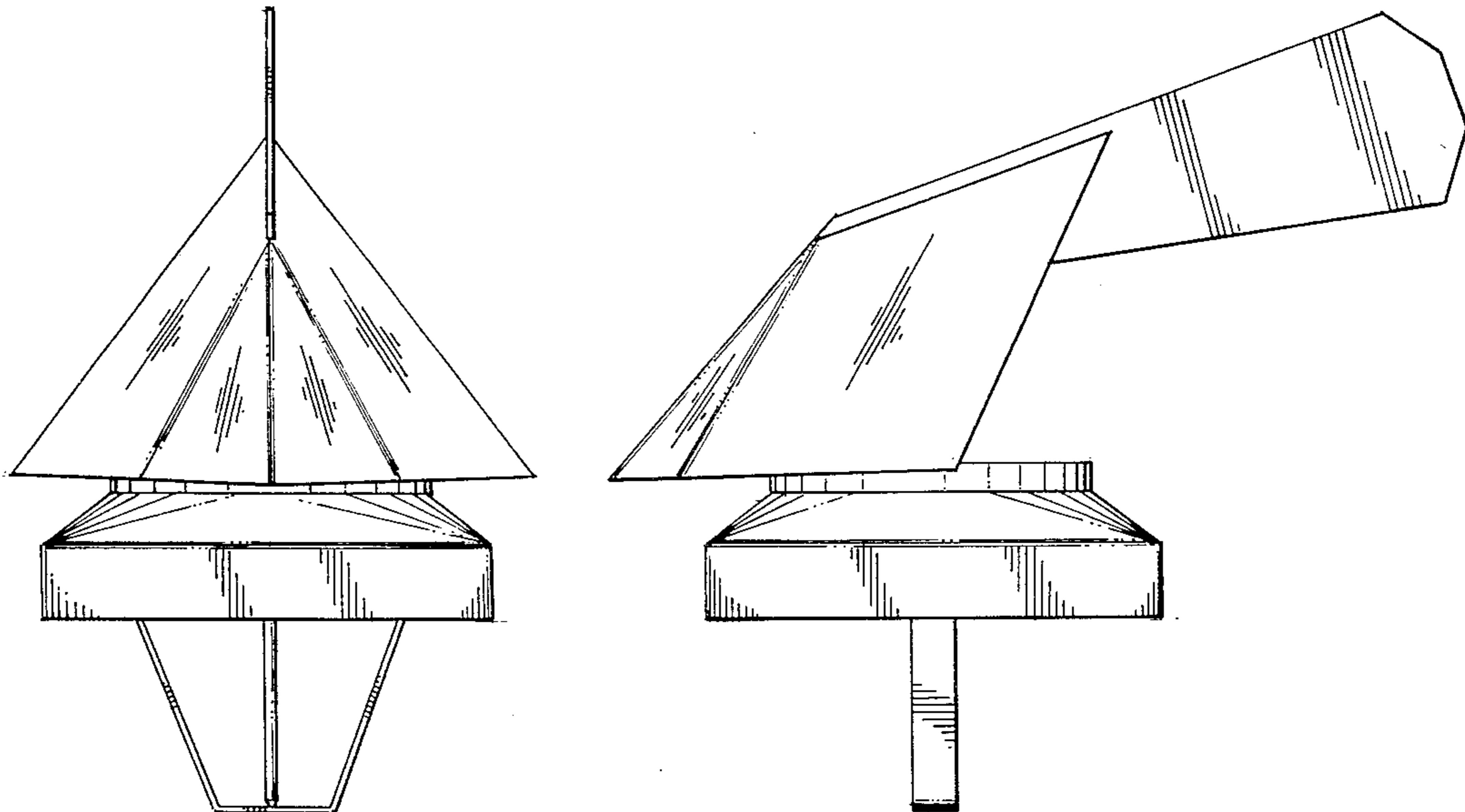
[56] References Cited

U.S. PATENT DOCUMENTS

D. 111,547	9/1938	McDerment	D23/153
D. 136,467	10/1943	Murray	D23/153
D. 242,355	11/1976	Kumada	D23/153
D. 267,667	1/1983	Flynn	D23/154
474,689	5/1892	Powers et al.	98/71

DESCRIPTION

FIG. 1 is a front elevational view of a rotatable chimney cowl showing my new design;
FIG. 2 is a right side elevational view thereof, the left side being a mirror image of the right side shown.
FIG. 3 is a top plan view thereof; and
FIG. 4 is a rear elevational view thereof.



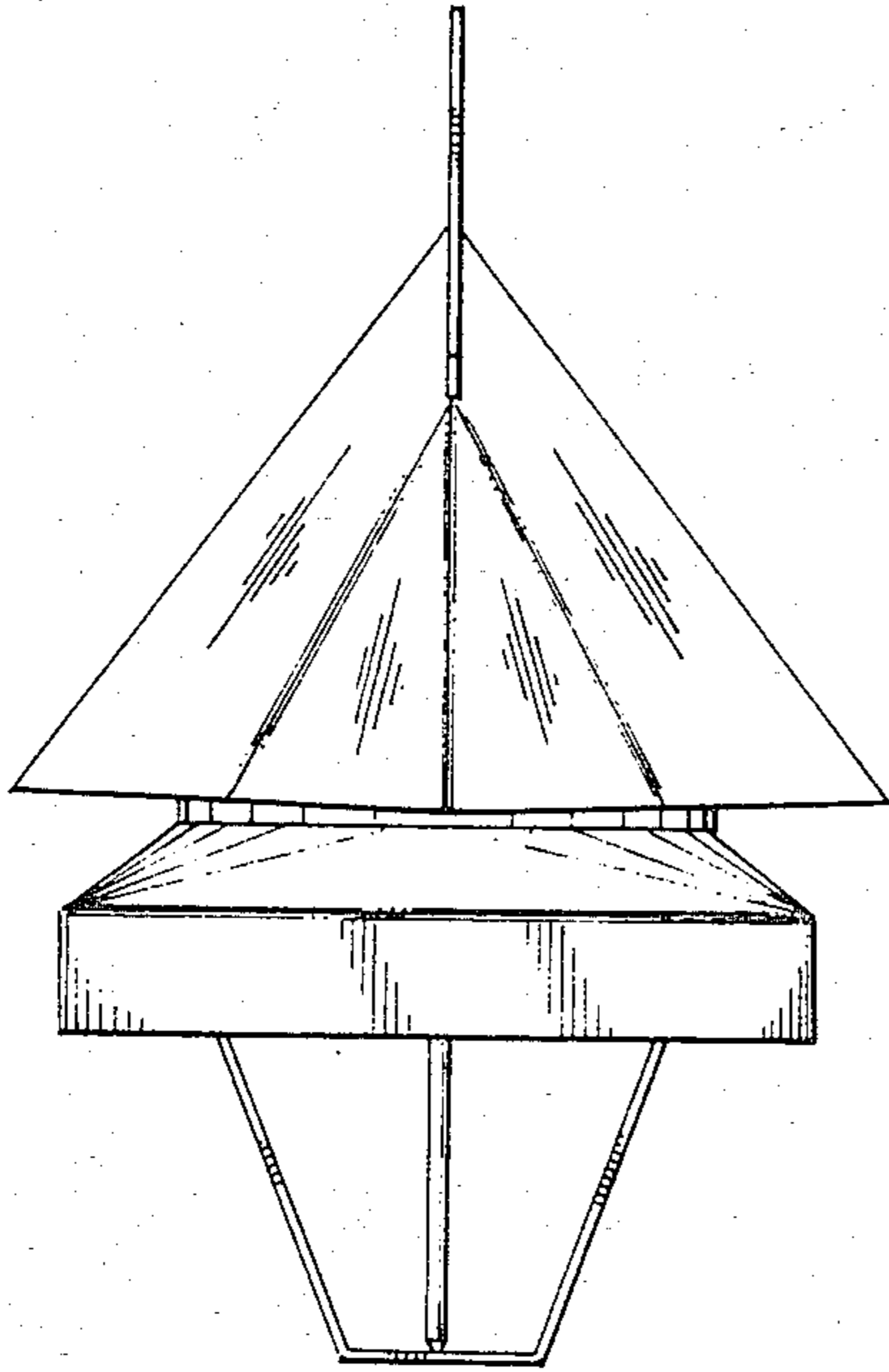


FIG. 1

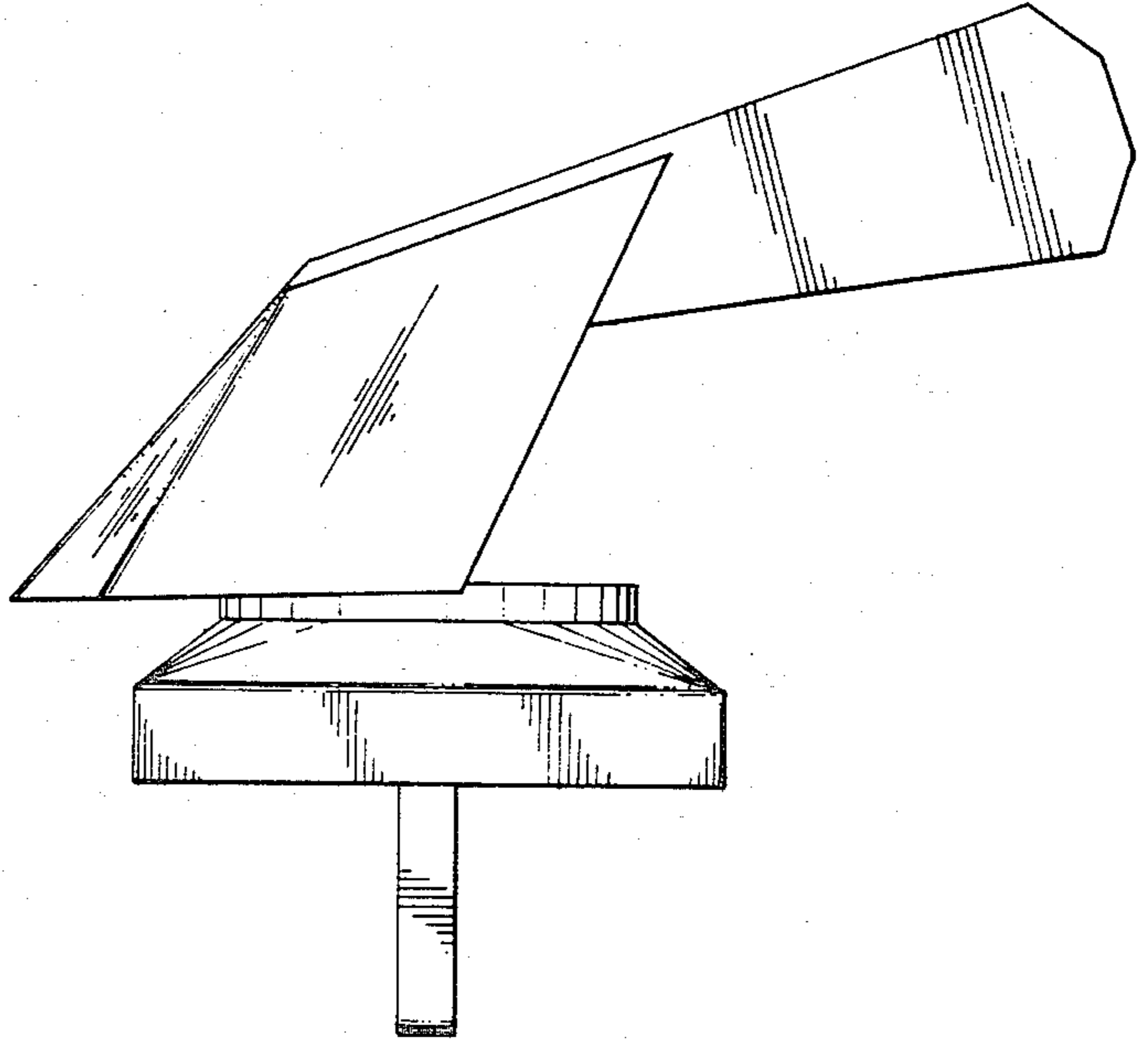


FIG. 2

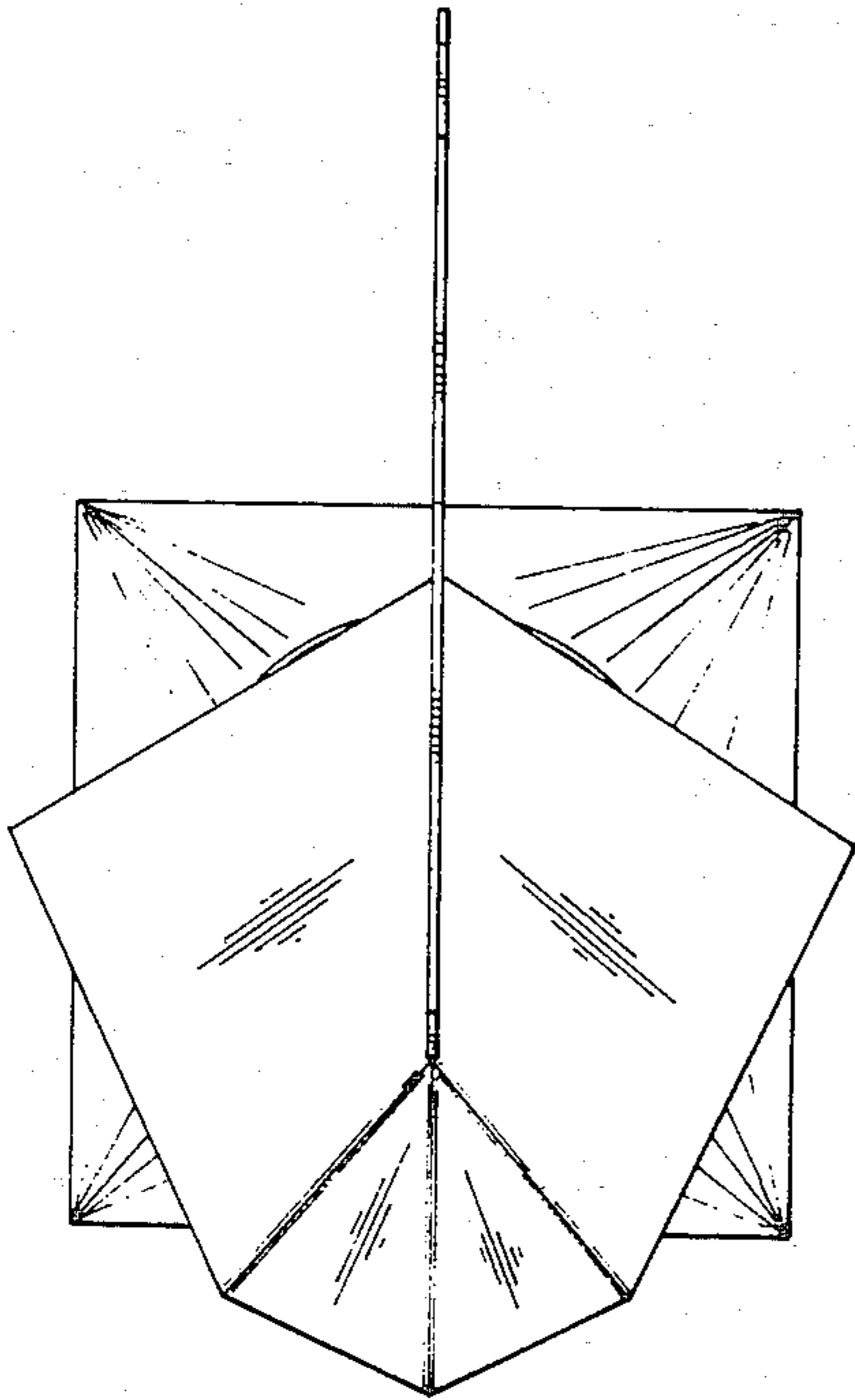


FIG. 3

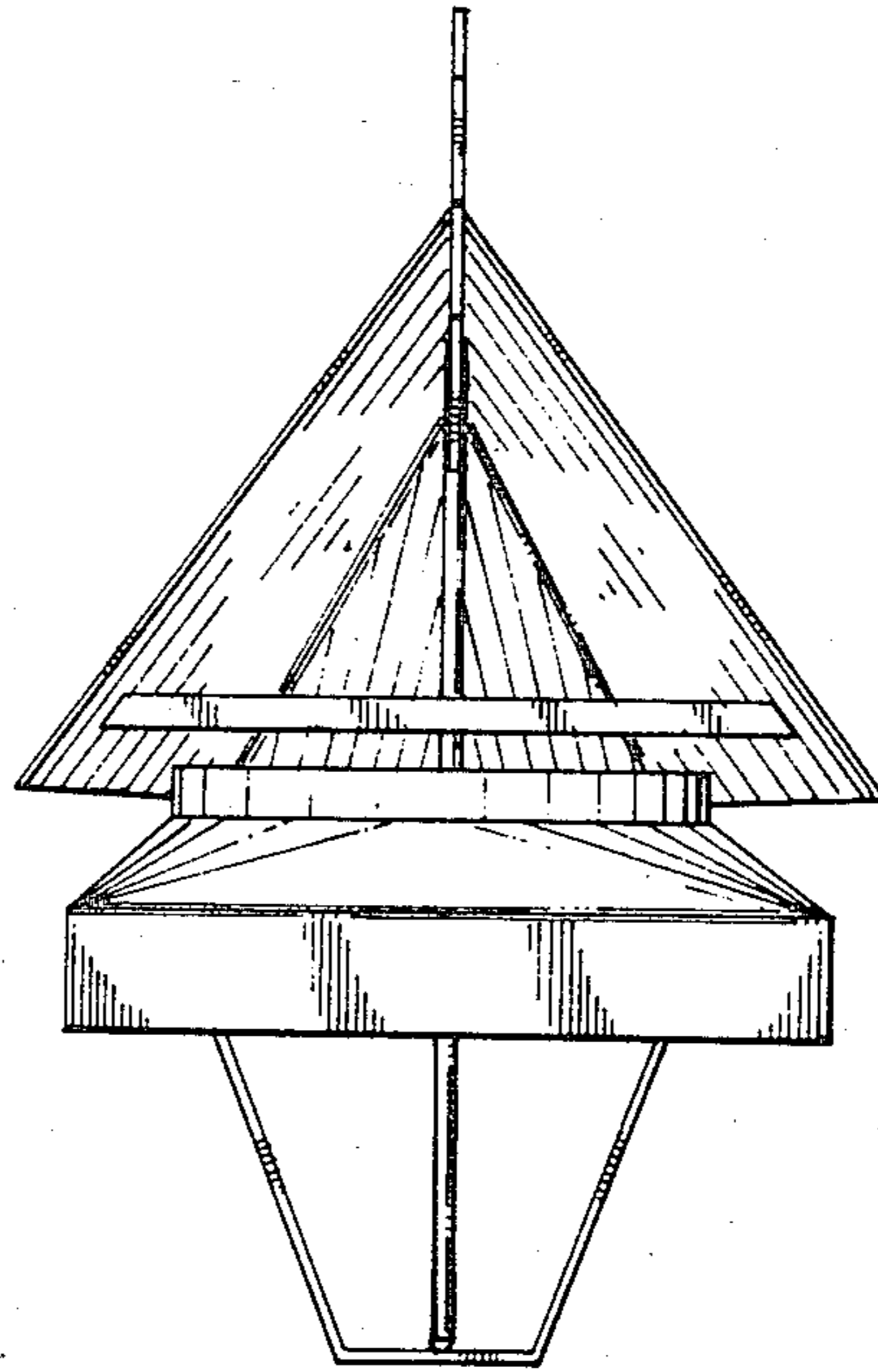


FIG. 4