

[54] SOLAR POWERED VENTILATOR

[75] Inventor: Norman S. Wright, Jr., Lafayette, Calif.

[73] Assignee: Norman S. Wright & Co., San Francisco, Calif.

[**] Term: 14 Years

[21] Appl. No.: 489,085

[22] Filed: Apr. 27, 1983

[52] U.S. Cl. D23/153

[58] Field of Search D23/151-163; 98/43 R, 43 C, 116, 119

[56] References Cited

U.S. PATENT DOCUMENTS

D. 190,144	4/1961	Breidert	D23/153
D. 254,567	3/1980	Wagner	D23/153
D. 259,951	7/1981	Breidert	D23/153
D. 269,456	6/1983	McDermott	D23/153
D. 276,647	12/1984	Breidert	D23/153
1,509,674	9/1924	Koehler	D23/154 X

2,571,513	10/1951	Ammerman	D23/153 X
2,824,507	2/1958	Alldritt et al.	98/43 R
3,078,781	2/1963	Jentoft	98/43 R
3,472,150	10/1969	Strawsine	98/43 R

OTHER PUBLICATIONS

Heating & Air Conditioning Contractor, Mar. 1964, p. 71, Ventilators at left of page.
Mobile Home Recreation Vehicle Dealer, 12-20-70, p. 200.

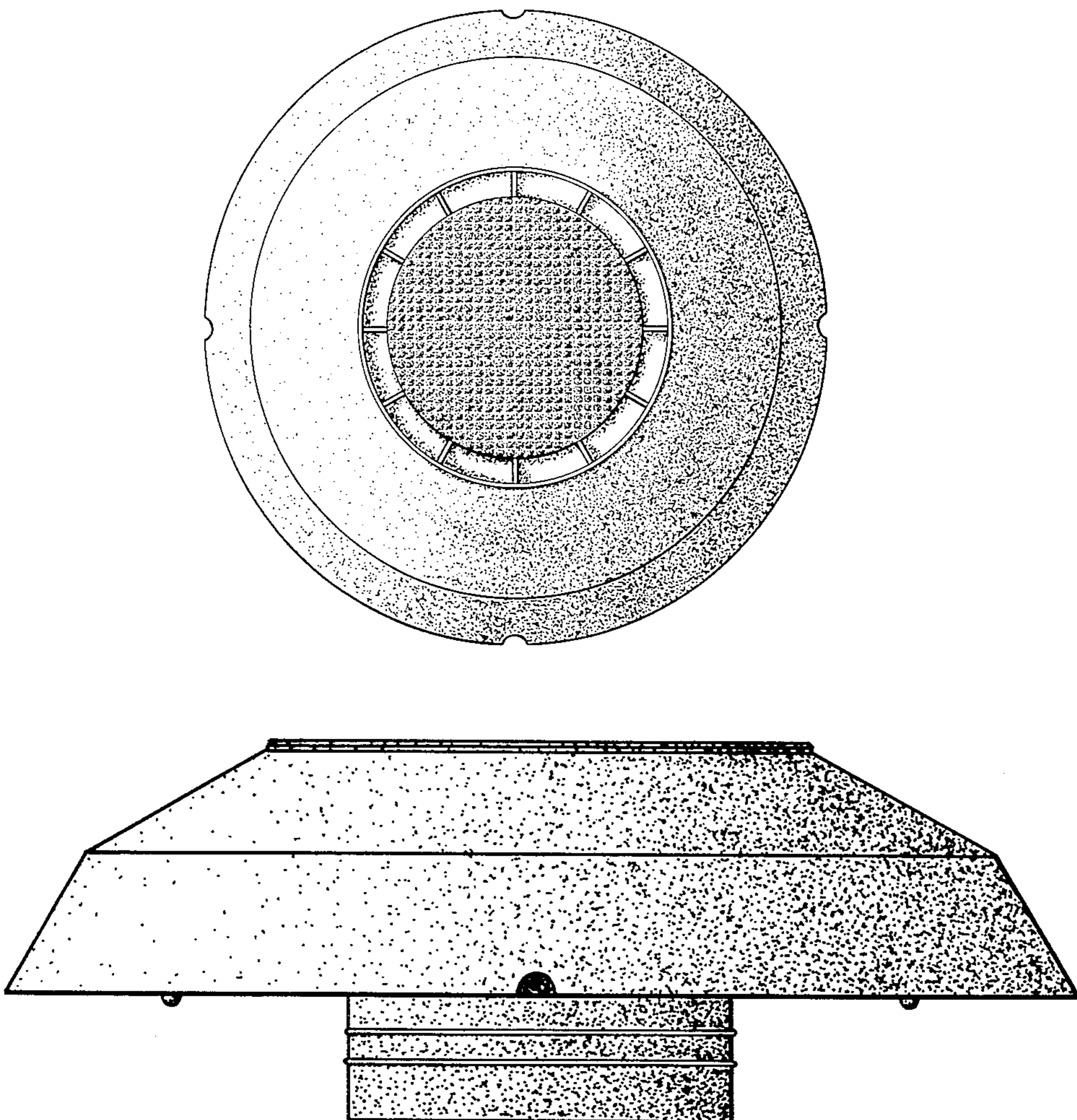
Primary Examiner—James R. Largen
Attorney, Agent, or Firm—Owen, Wickersham & Erickson

[57] CLAIM

The ornamental design for a solar powered ventilator, substantially as shown.

DESCRIPTION

FIG. 1 is a top plan view of a solar powered ventilator embodying my new design;
FIG. 2 is a side elevational view thereof; and
FIG. 3 is a bottom plan view thereof.



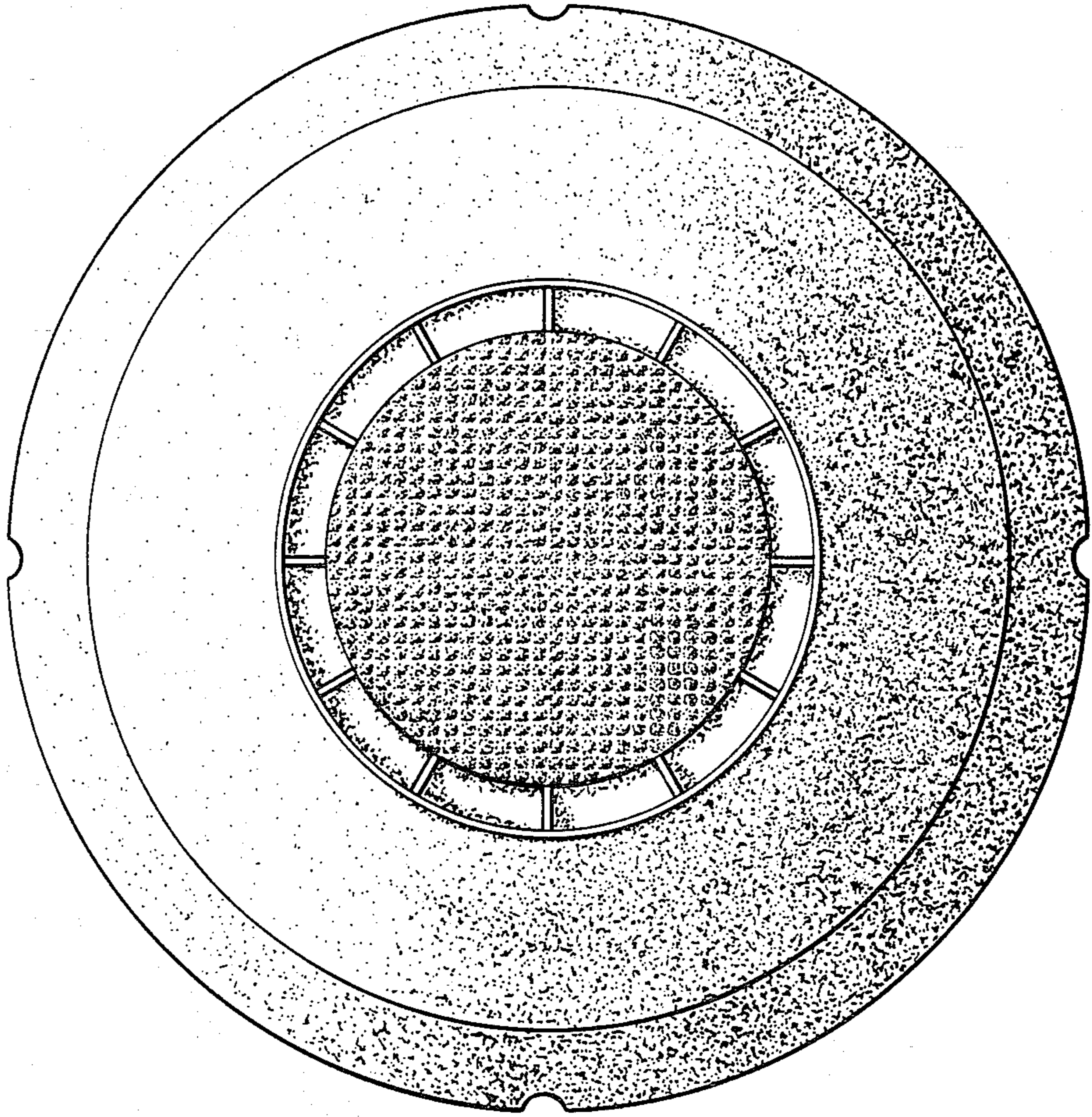


FIG - 1

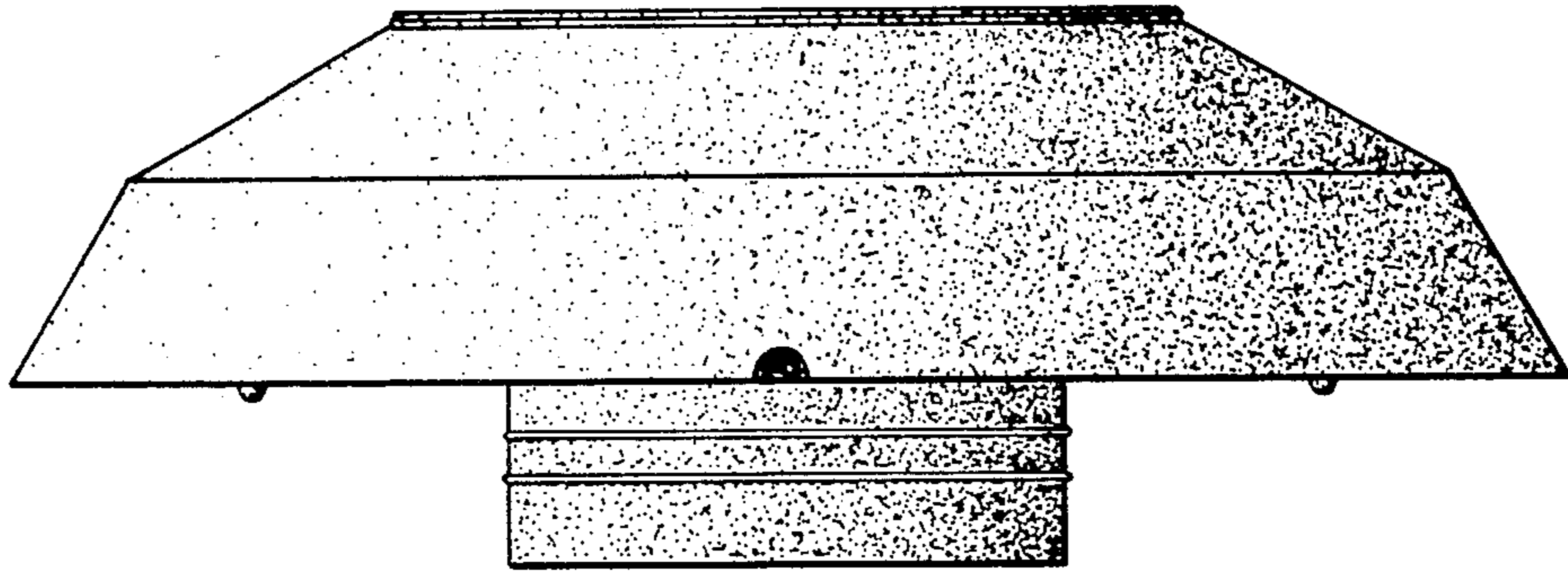


FIG - 2

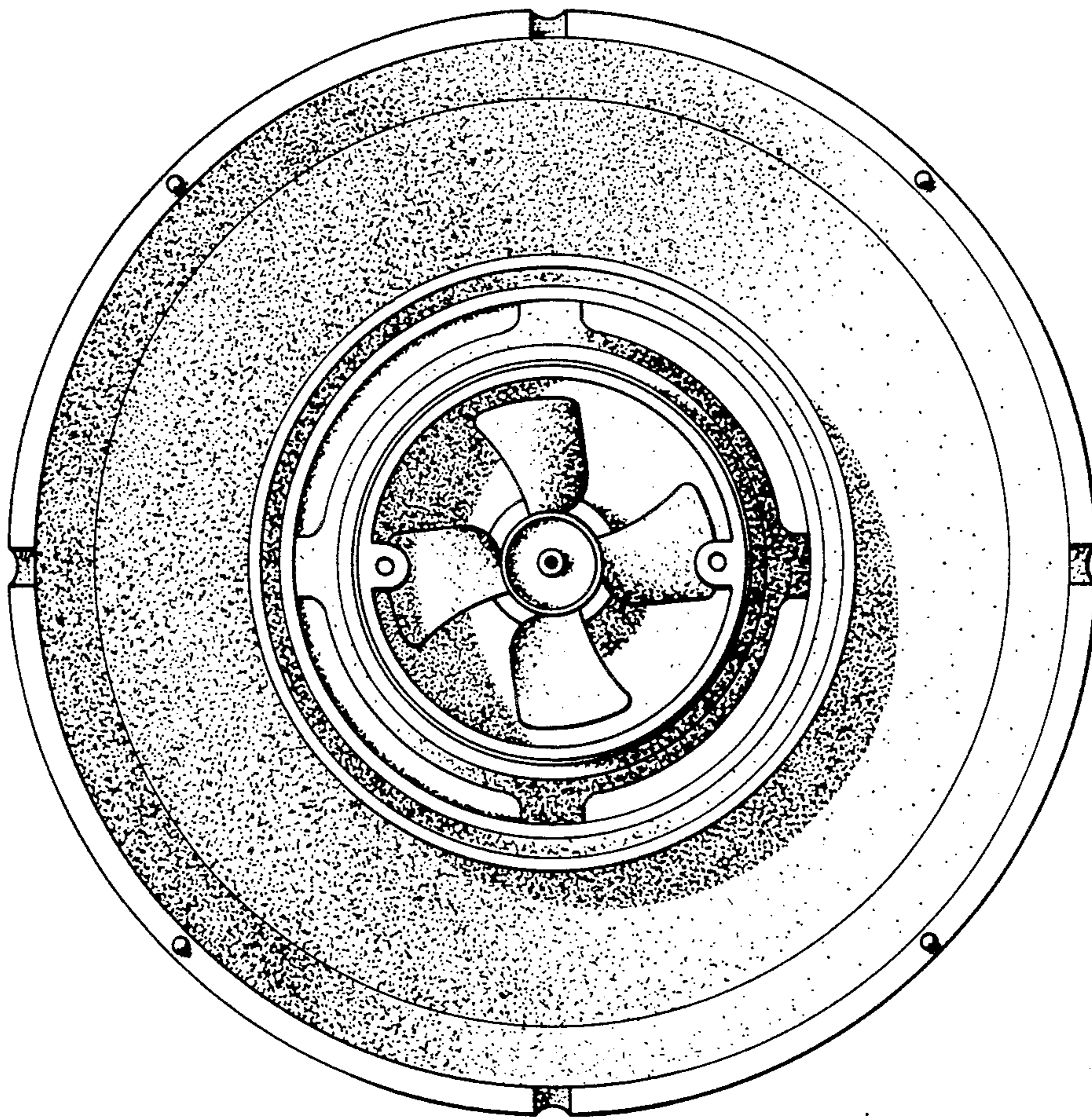


FIG - 3