

[54] VEHICLE AIR PURIFIER

[75] Inventor: Patrick E. Lynch, Jr., Thornton, Colo.

[73] Assignee: Pyramid Products, Inc., Thornton, Colo.

[\*\*] Term: 14 Years

[21] Appl. No.: 455,379

[22] Filed: Jan. 3, 1983

[52] U.S. Cl. .... D23/149

[58] Field of Search ..... D23/149, 151-162; 55/279, 316, 467-473

3,966,442 6/1976 Waters ..... 55/316

4,148,618 4/1979 Christenson et al. .... 55/467 X

4,272,261 6/1981 Lynch, Jr. et al. .... 55/279

4,377,399 3/1983 Bryson ..... 55/472 X

4,385,911 5/1983 Popeil et al. .... 55/316

Primary Examiner—James R. Largen  
 Attorney, Agent, or Firm—Townsend and Townsend

[57] CLAIM

The ornamental design for vehicle air purifier, as shown and described.

DESCRIPTION

FIG. 1 is a perspective view taken from the top, front and right side of a vehicle air purifier showing my new design;

FIG. 2 is a top plan view thereof;

FIG. 3 is a front view thereof;

FIG. 4 is a right side view thereof, the left side being a mirror image of the right side shown;

FIG. 5 is a rear view thereof; and

FIG. 6 is a bottom plan view thereof.

[56] References Cited

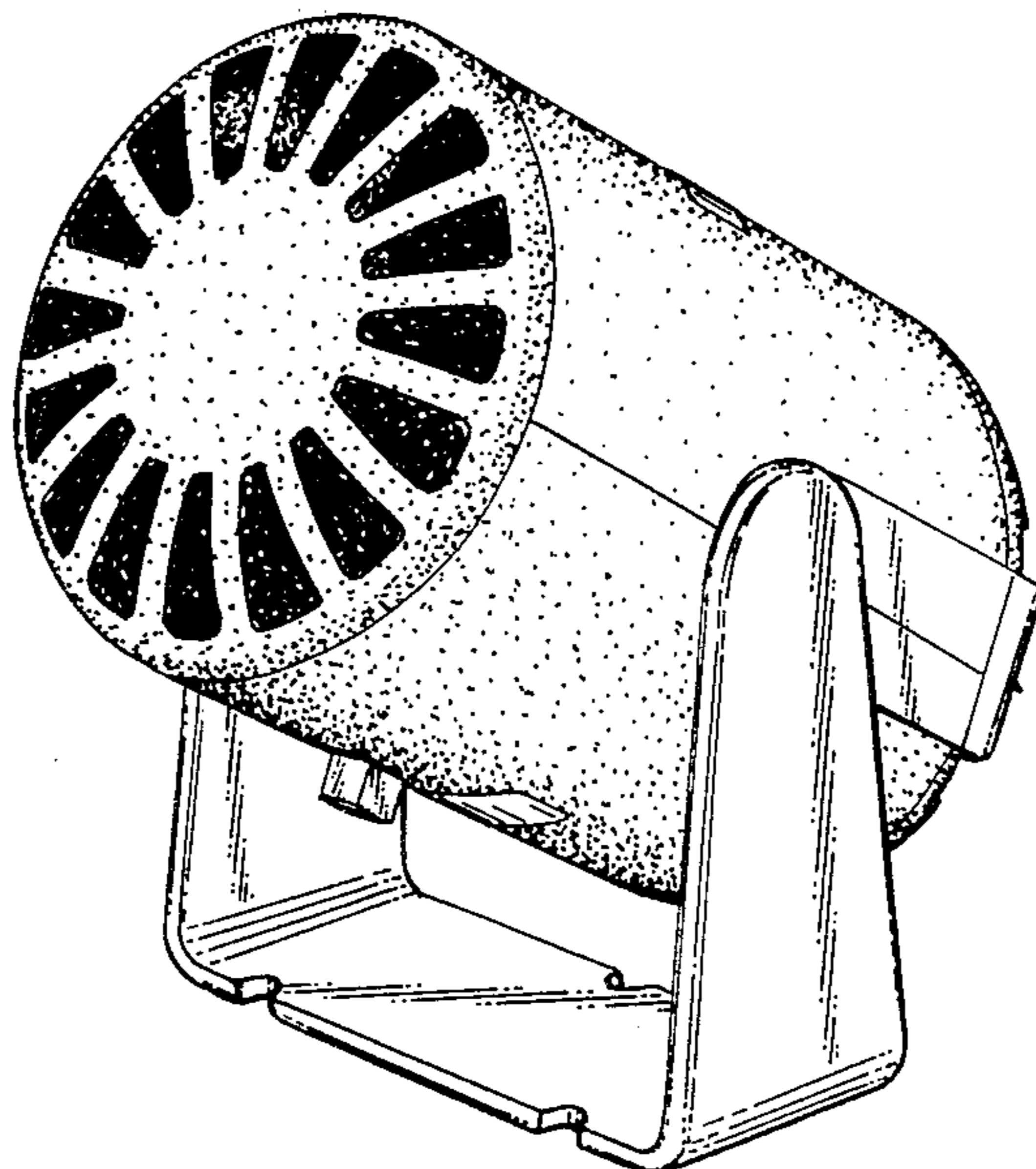
U.S. PATENT DOCUMENTS

D. 267,114 11/1982 Lynch, Jr. et al. .... D23/149

D. 272,646 2/1984 Tsuji et al. .... D23/149

D. 272,757 2/1984 Feo et al. .... D23/149

D. 274,837 7/1984 Lynch et al. .... D23/149



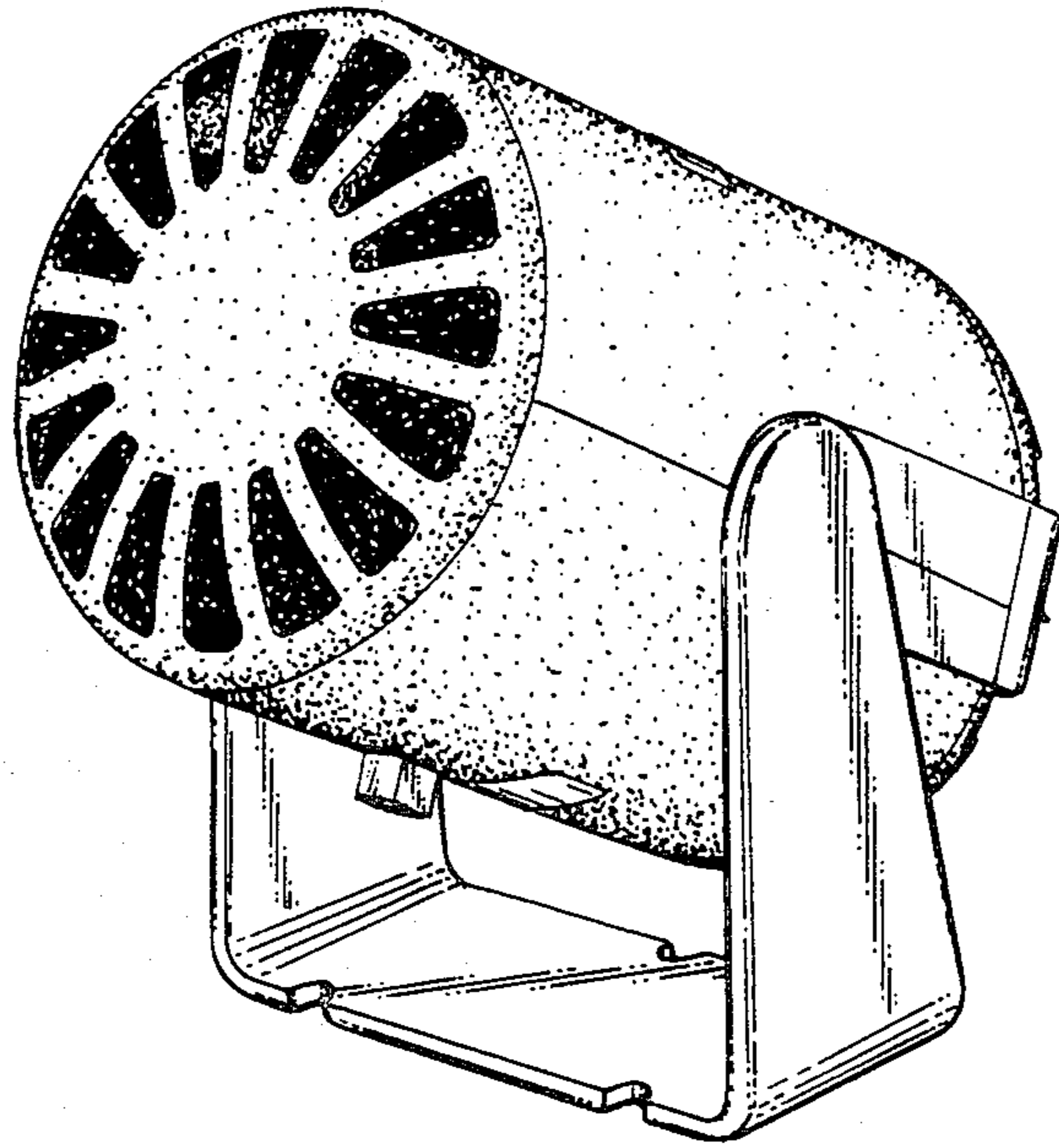


FIG. 1.

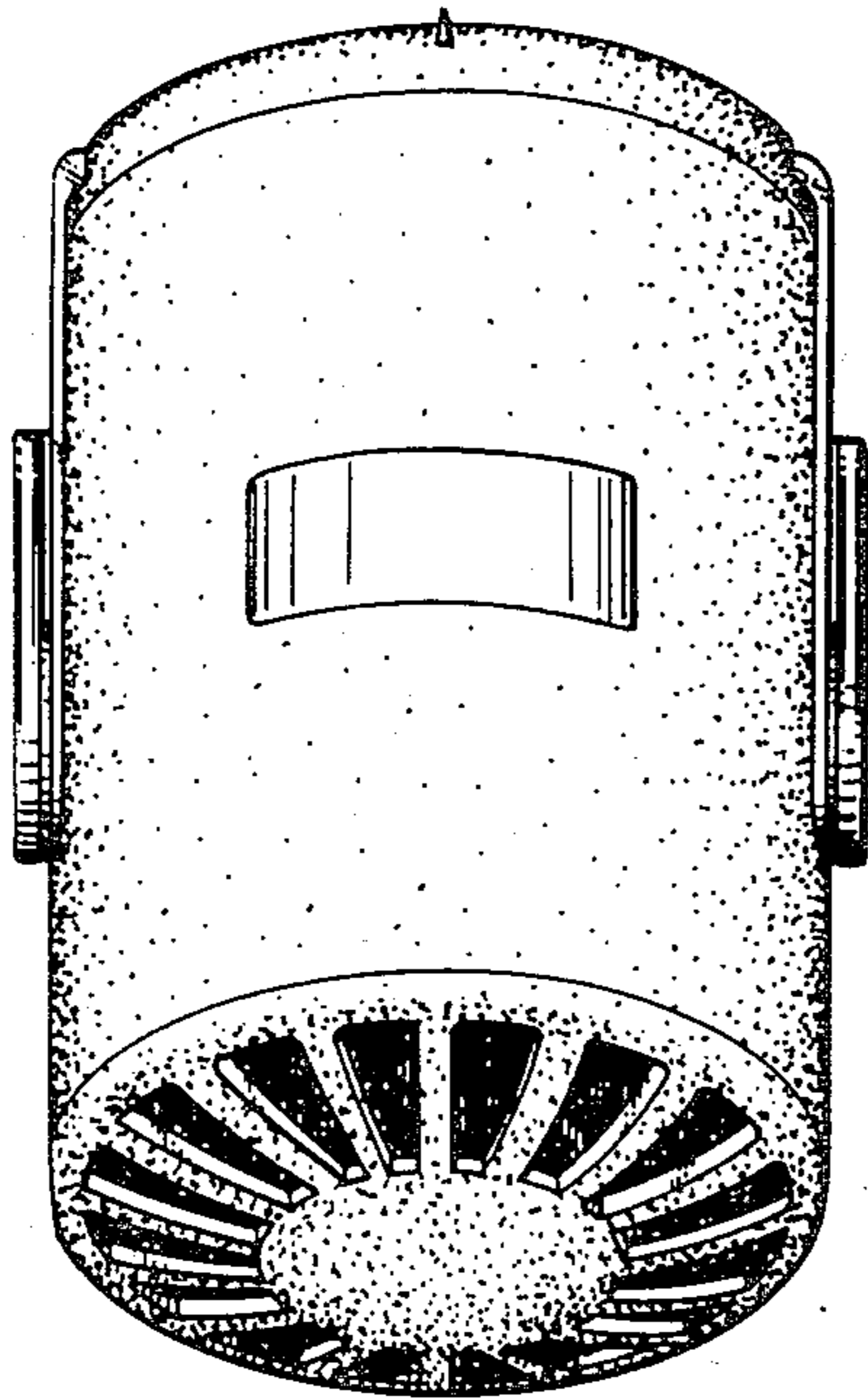


FIG. 2.

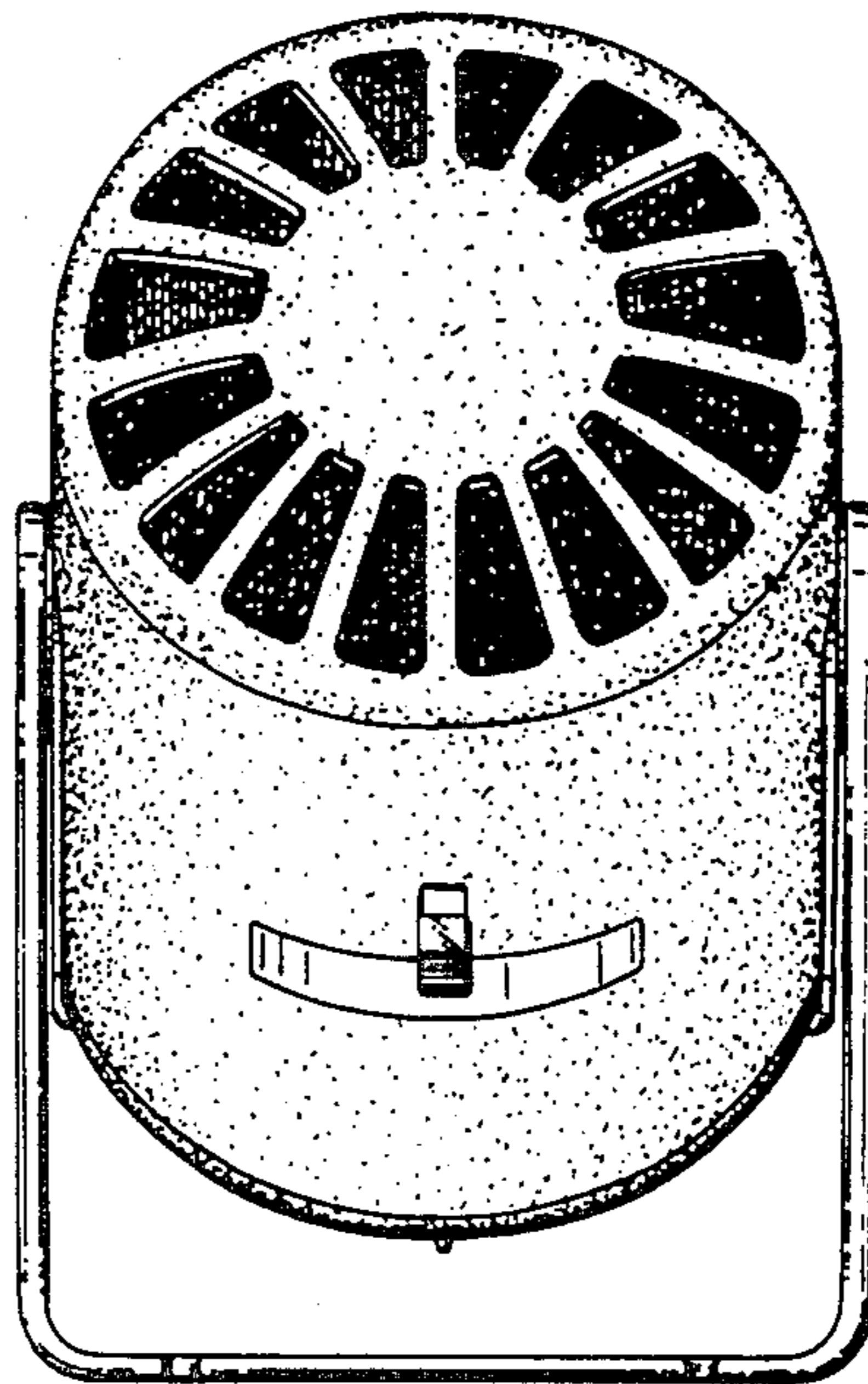


FIG. 3.

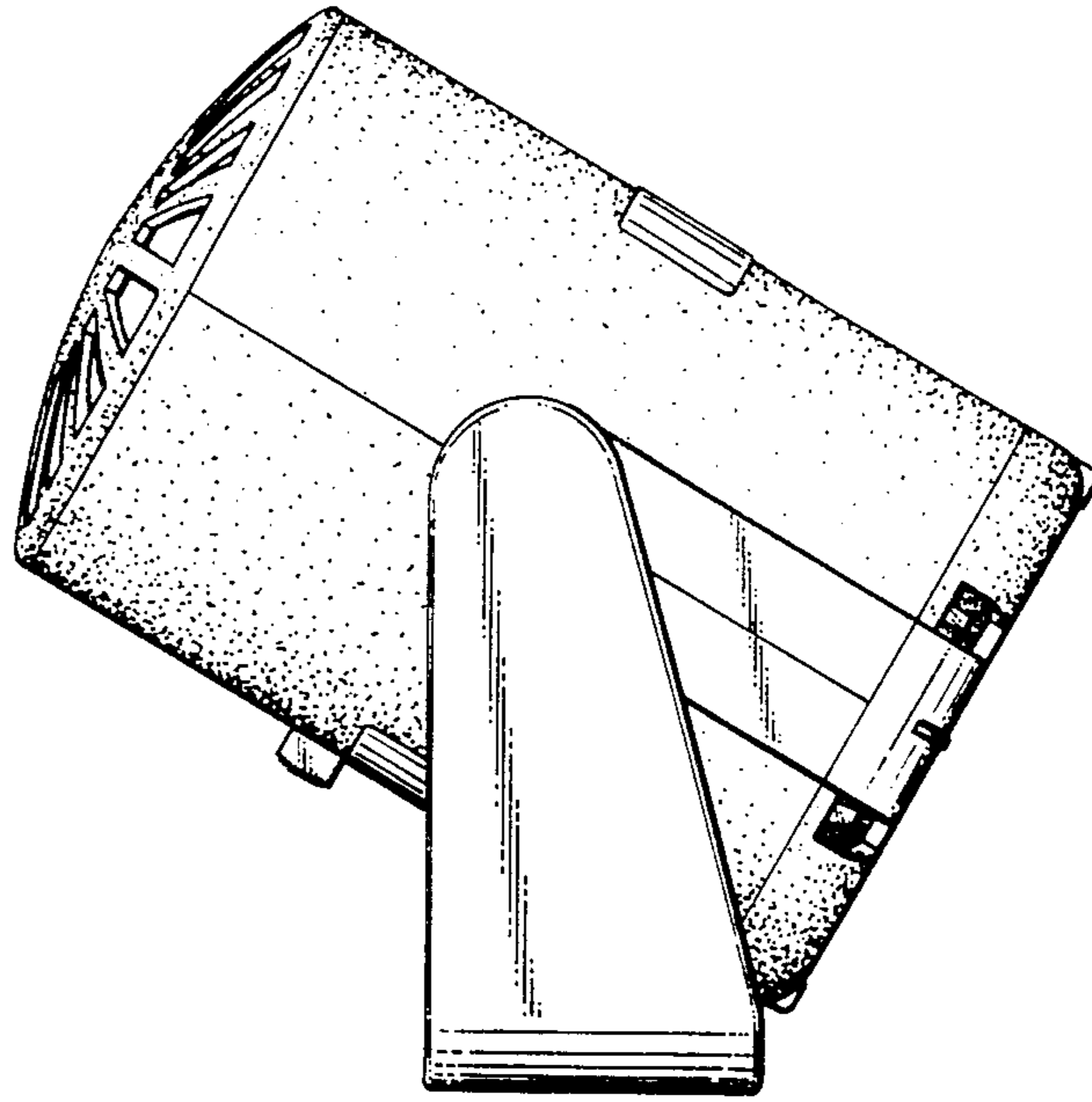


FIG. 4.

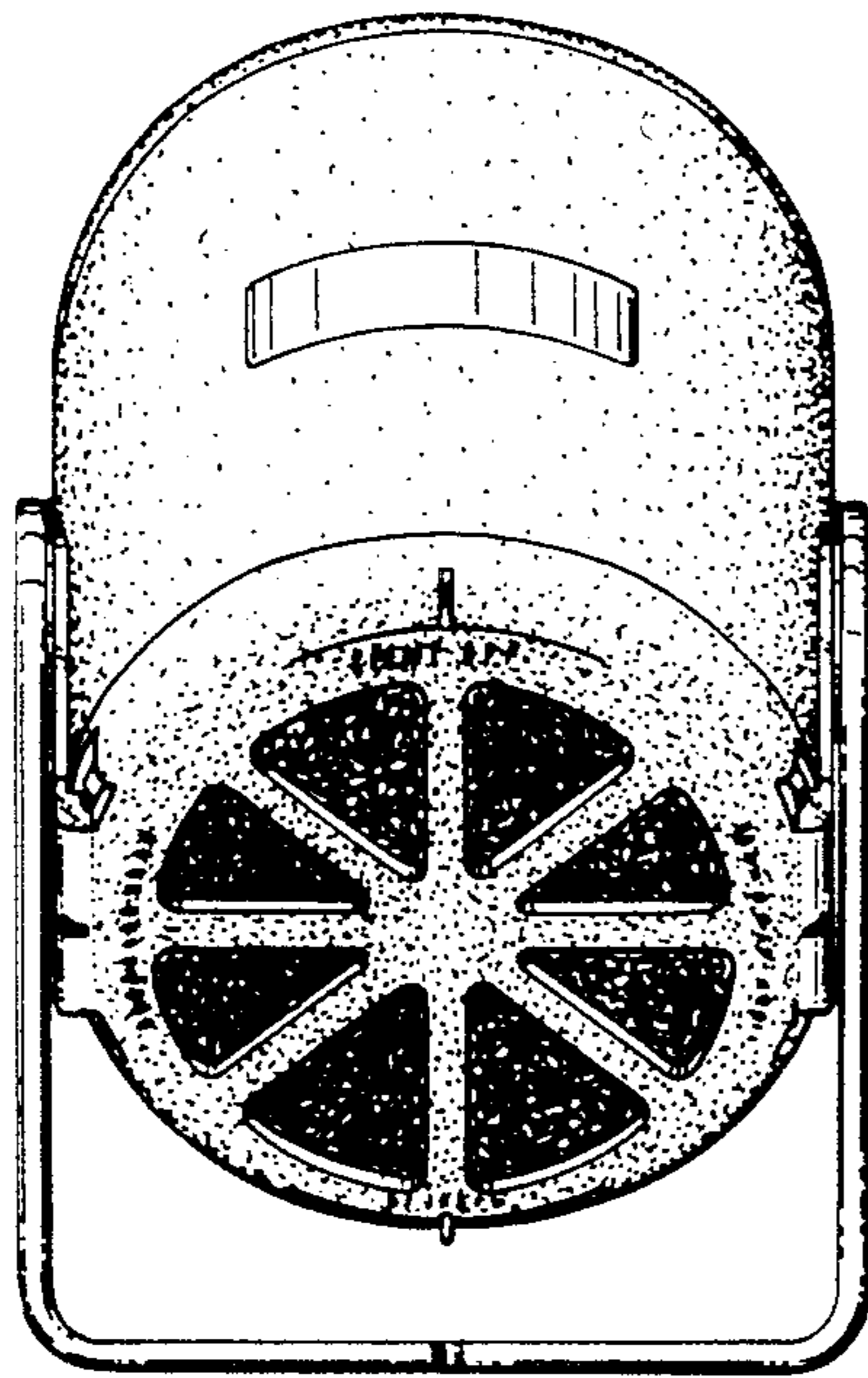


FIG. 5.

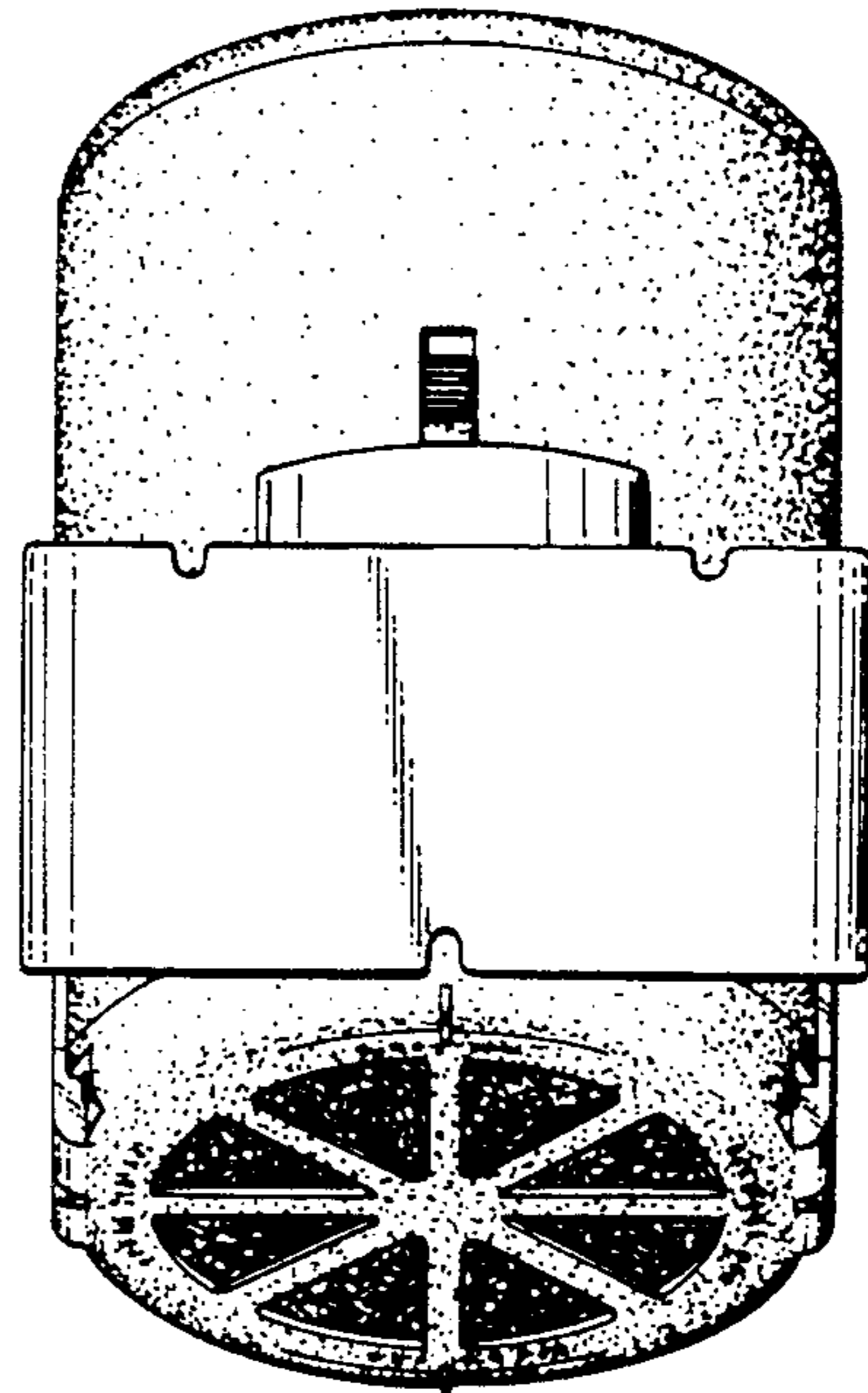


FIG. 6.