

[54] **SIT-UP EXERCISE DEVICE**
[76] **Inventor: Gale V. Howard, 2900 E. 40 Hwy., Blue Springs, Mo. 64015**
[**] **Term: 14 Years**
[21] **Appl. No.: 484,843**
[22] **Filed: Apr. 14, 1983**
[52] **U.S. Cl. D21/191**
[58] **Field of Search D21/191-199; 272/93, 144, 145, 900, 140**

4,185,816 1/1980 Bernstein D21/195
4,212,458 7/1980 Bizilia .
4,323,235 4/1982 Schwarz 272/93

Primary Examiner—Charles A. Rademaker
Attorney, Agent, or Firm—Schmidt, Johnson, Hovey & Williams

[57] **CLAIM**

The ornamental design for a sit-up exercise device, as shown and described.

DESCRIPTION

FIG. 1 is a perspective view of a sit-up exercise device showing my new design;
FIG. 2 is a side elevational view thereof;
FIG. 3 is a front elevational view thereof shown partially in fragment for ease of illustration;
FIG. 4 is a top plan view thereof;
FIG. 5 is a rear elevational view thereof; and,
FIG. 6 is another front perspective view thereof with the cushion members shown in an exploded condition.

[56] **References Cited**
U.S. PATENT DOCUMENTS
D. 277,218 1/1985 Hinds D21/191
1,969,165 8/1934 Turner .
2,050,652 8/1936 Fleming .
4,116,434 9/1978 Bernstein D21/191
4,121,825 10/1978 Hult .
4,182,509 12/1980 Chupp, Jr. .
4,182,510 12/1980 Lundell .

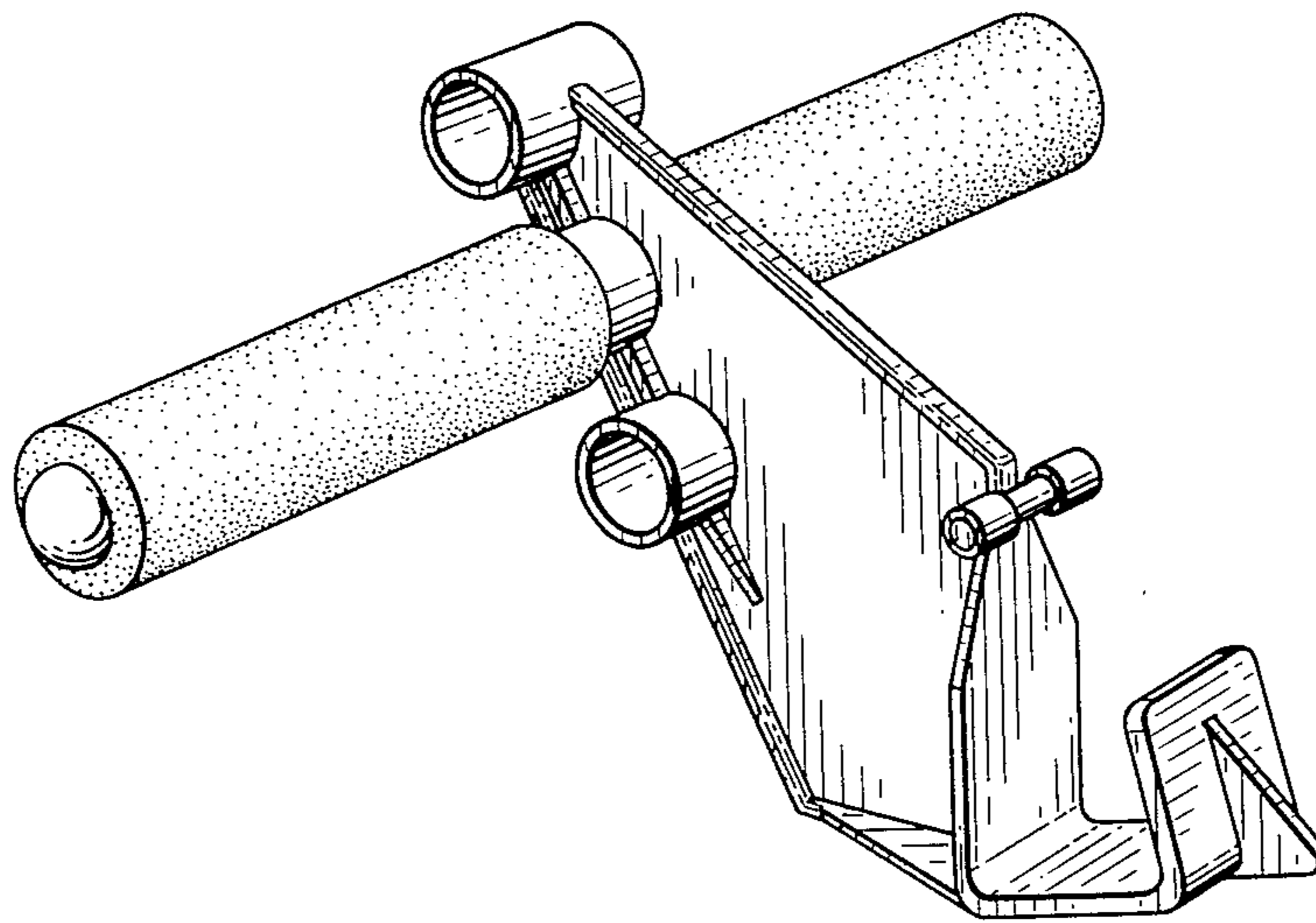


Fig. 1.

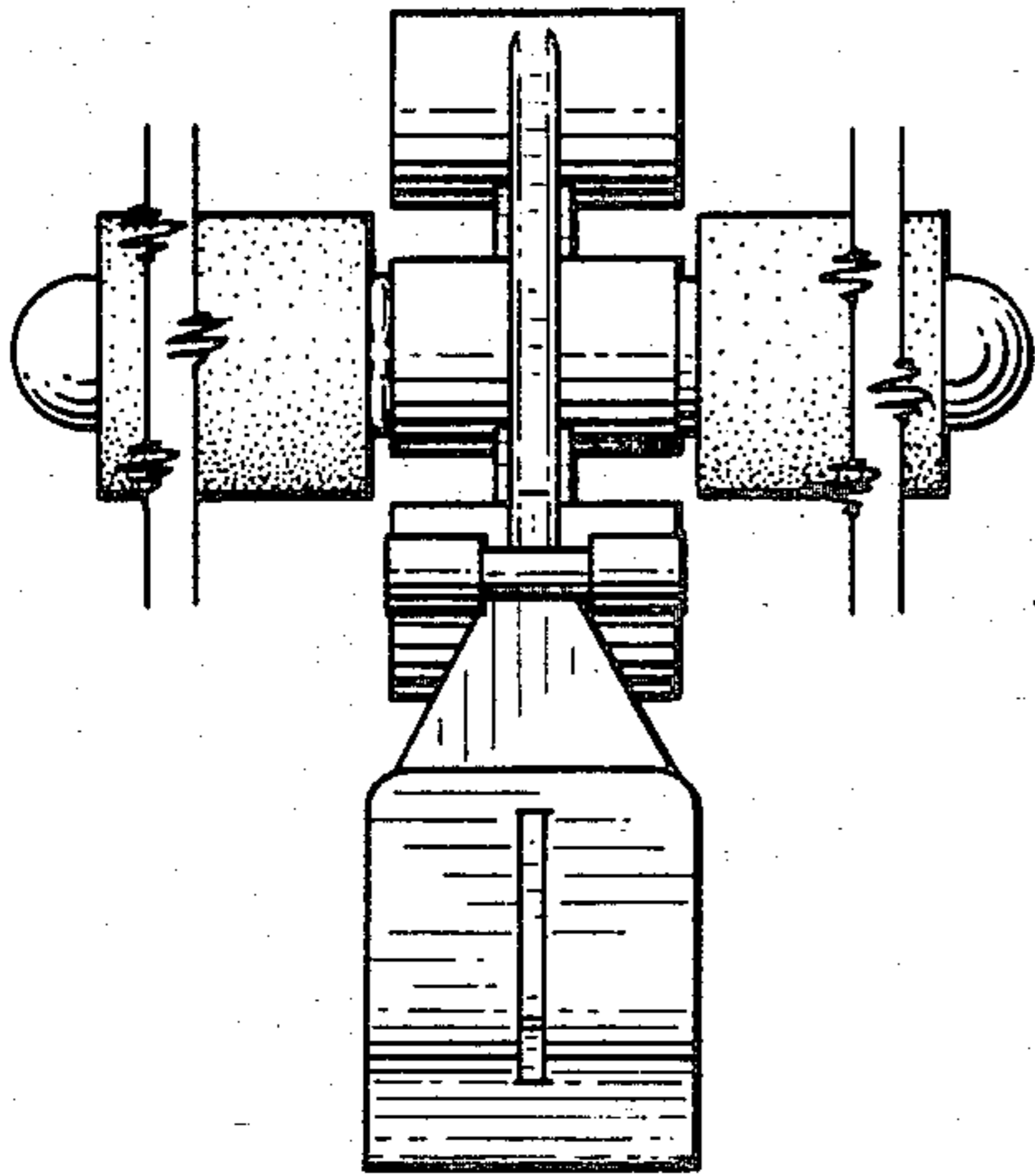
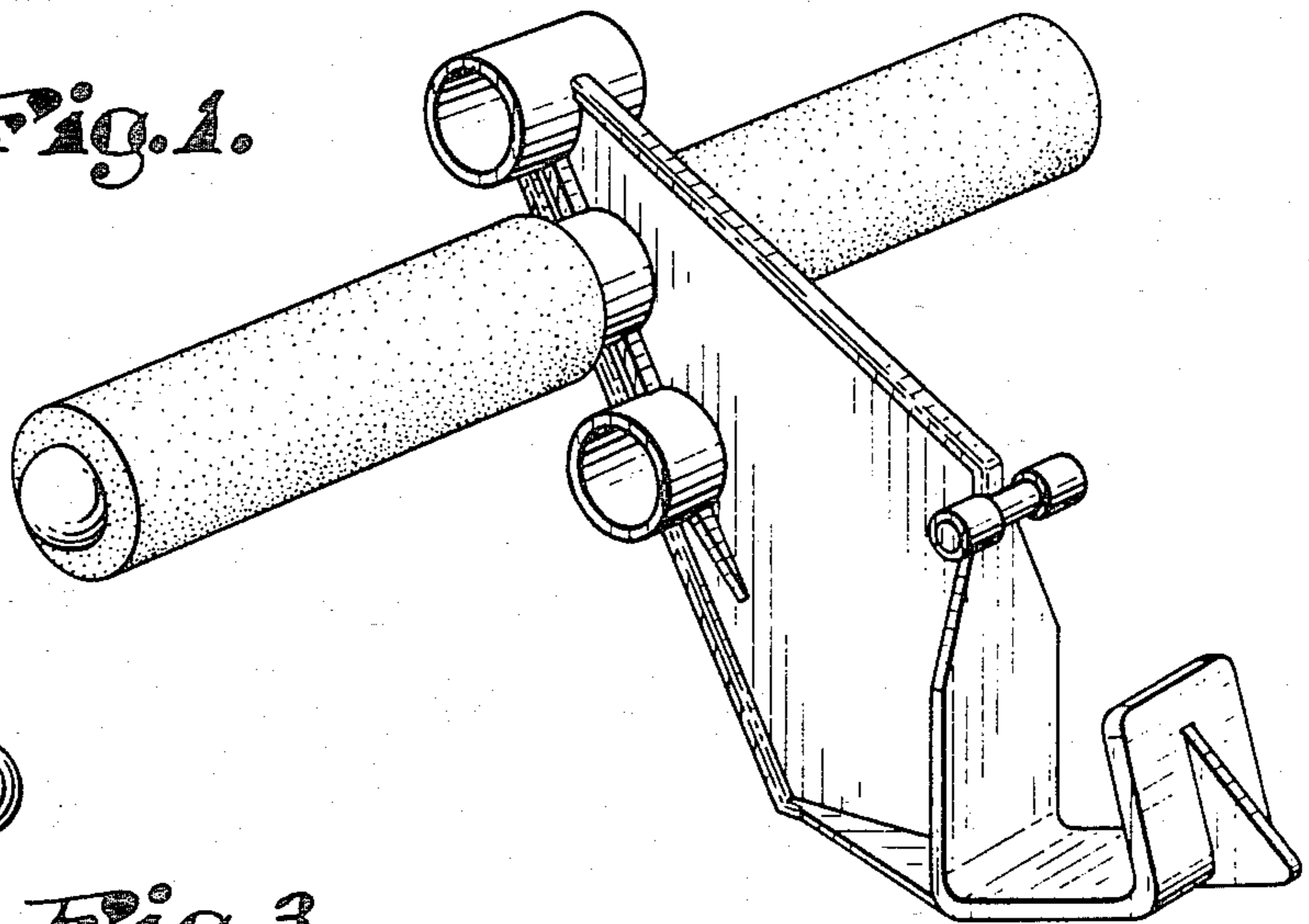


Fig. 3.

Fig. 2.

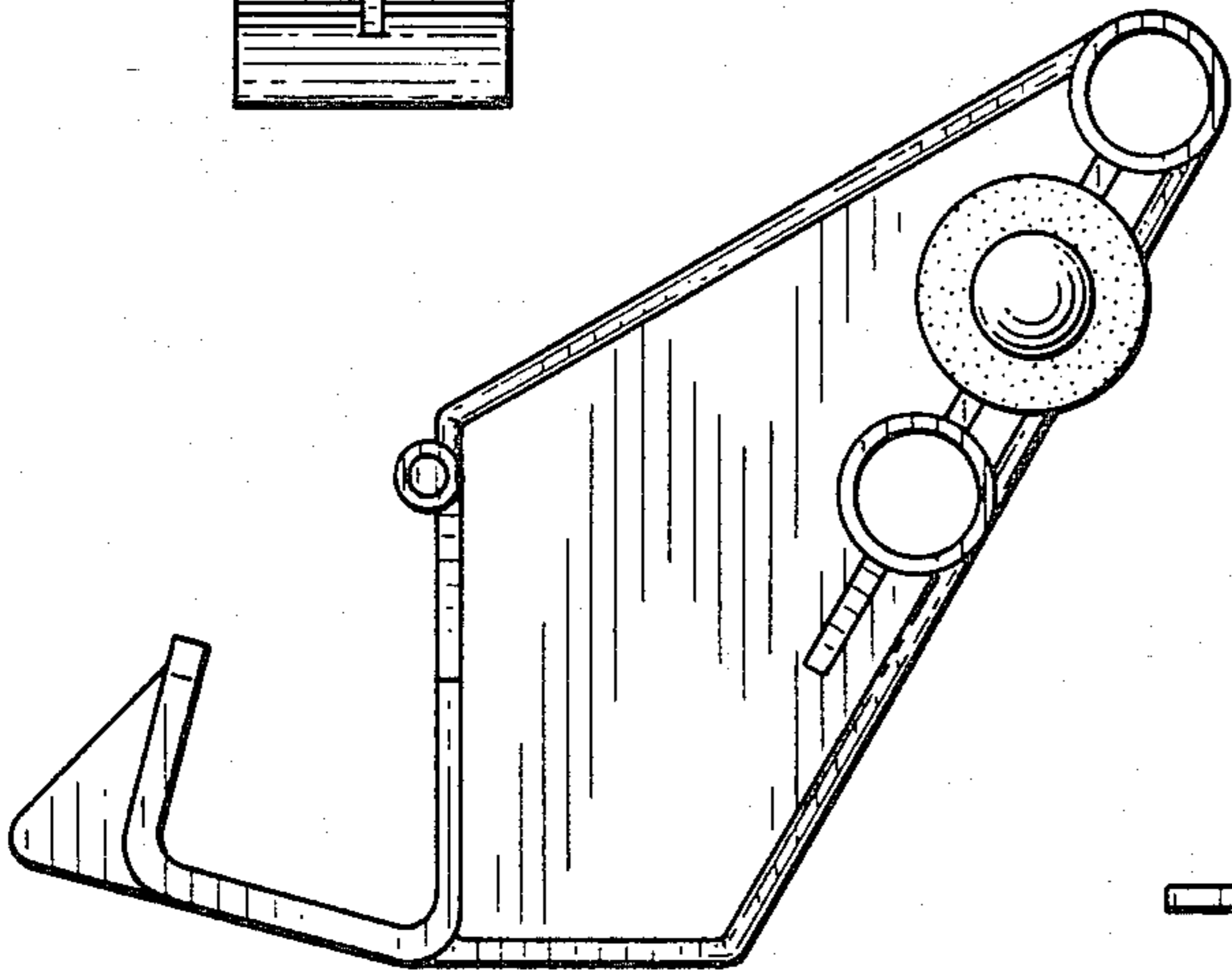


Fig. 4.

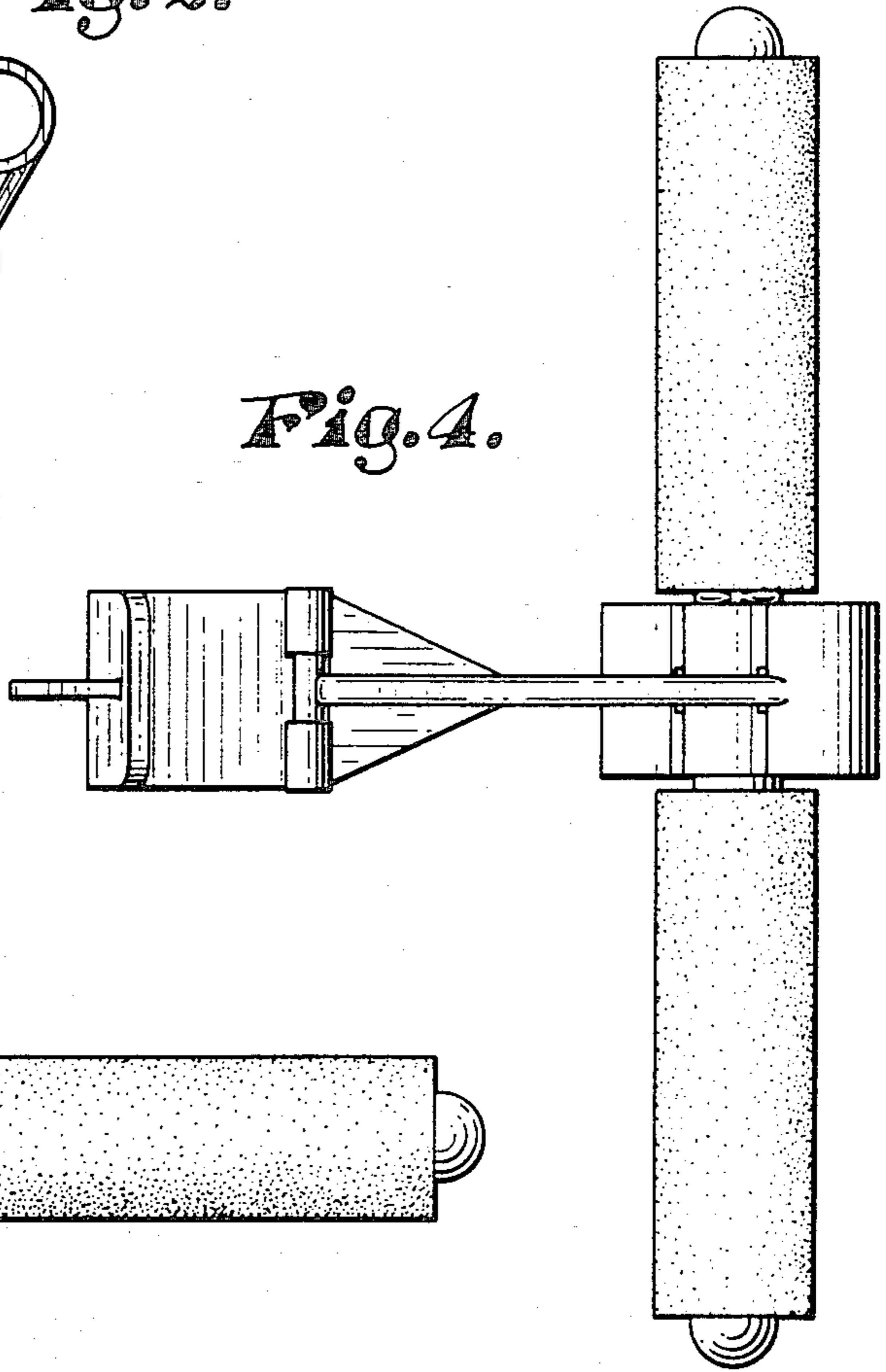
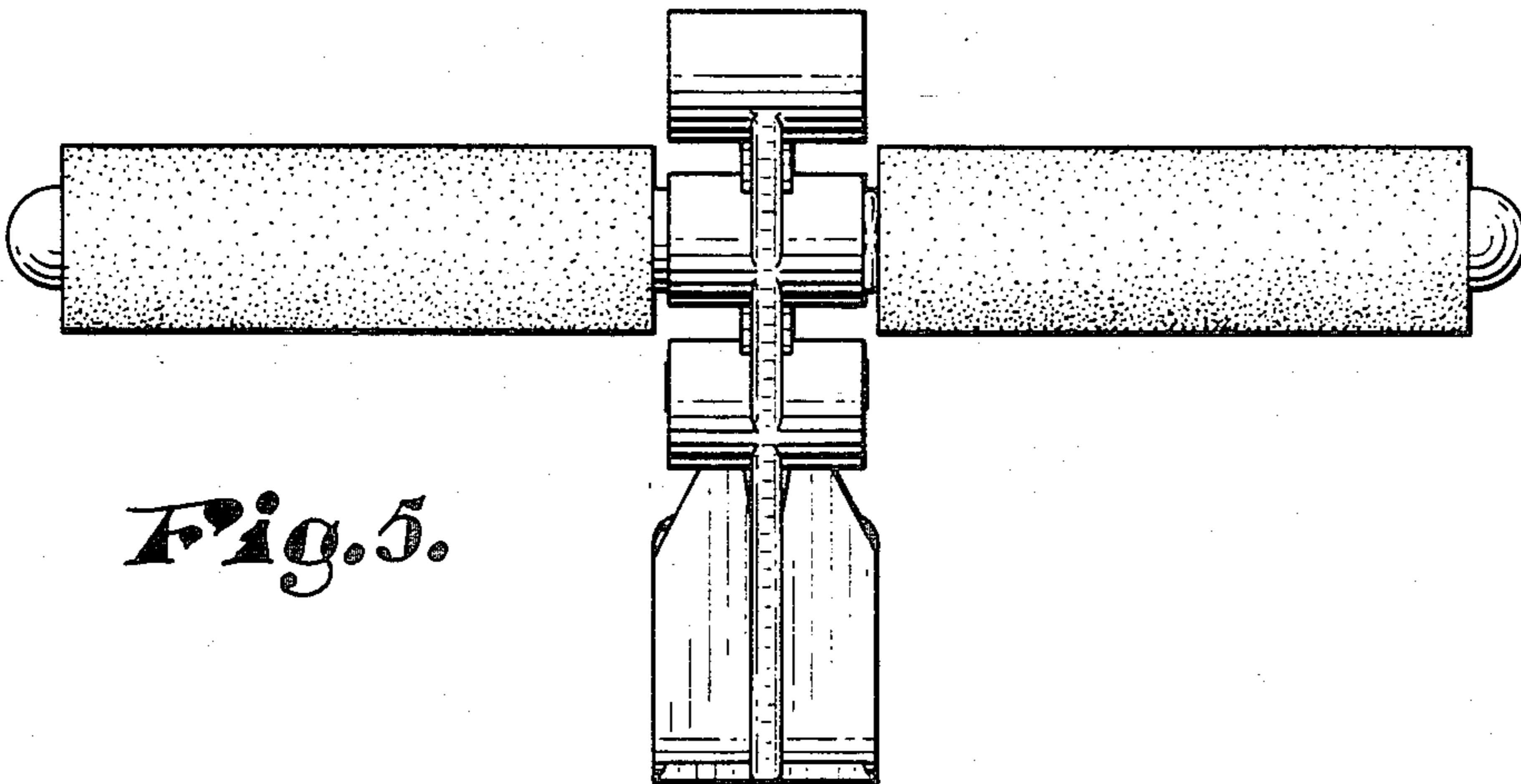


Fig. 5.



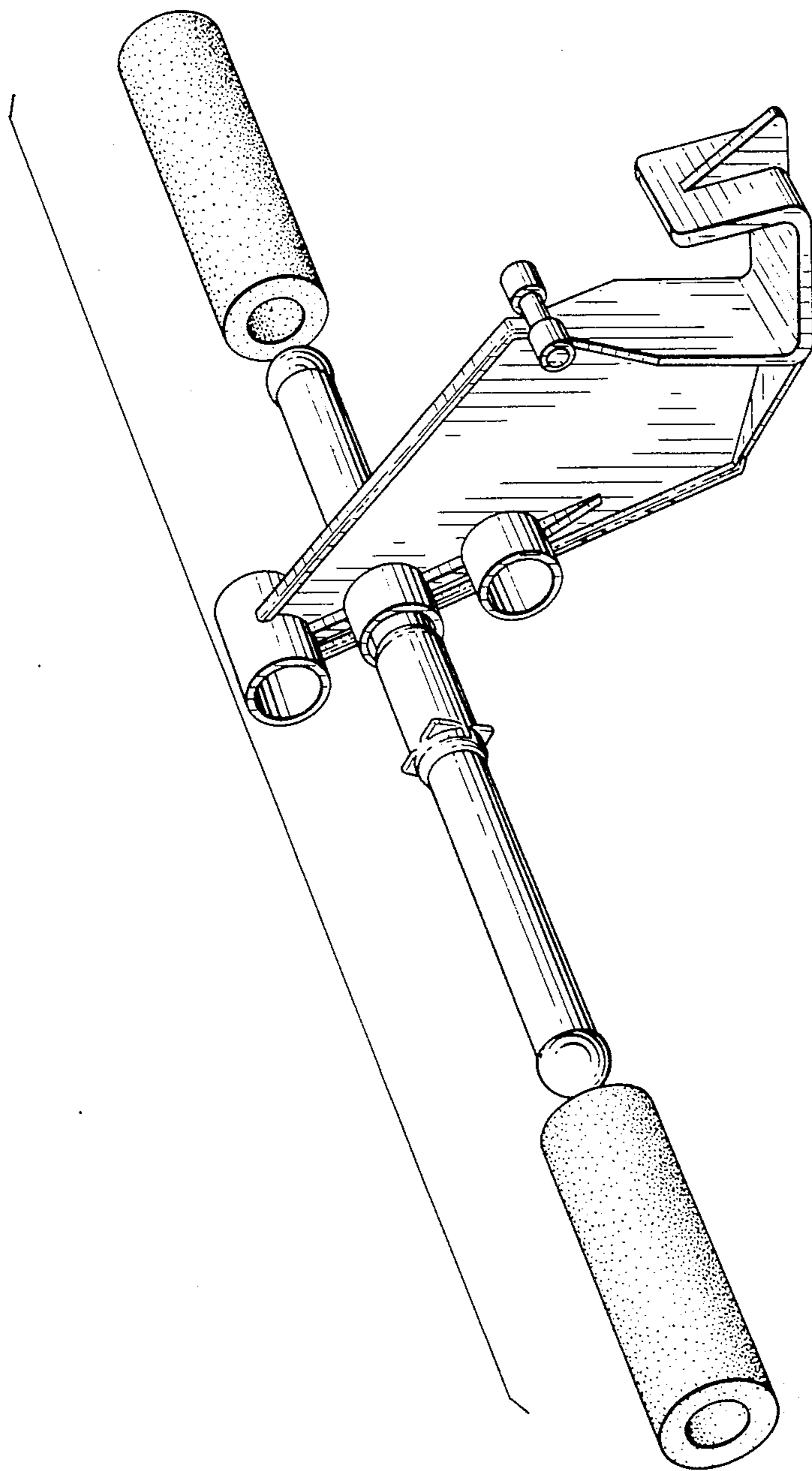


Fig. 6.