

[54] TOY BUILDING BLOCK

[75] Inventors: Leo S. Volpe, Collingswood; Michael O. Hirtle, Delran, both of N.J.

[73] Assignee: Tyco Industries, Inc., Moorestown, N.J.

[**] Term: 14 Years

[21] Appl. No.: 545,036

[22] Filed: Oct. 25, 1983

[52] U.S. Cl. D21/108

[58] Field of Search D21/108; D8/382; 446/85, 87, 88, 95, 103, 120, 122, 124, 128

[56] References Cited

U.S. PATENT DOCUMENTS

3,716,939 2/1973 Pibet 446/128

FOREIGN PATENT DOCUMENTS

593081 10/1947 United Kingdom 446/128
908097 10/1962 United Kingdom 446/128

Primary Examiner—Charles A. Rademaker
Attorney, Agent, or Firm—Panitch, Schwarze, Jacobs & Nadel

[57] CLAIM

The ornamental design for a toy building block, substantially as shown and described.

DESCRIPTION

FIG. 1 is a top plan view of a toy building block showing our new design;
FIG. 2 is a bottom plan view;
FIG. 3 is a front elevational view;
FIG. 4 is a side elevational view; and
FIG. 5 is a rear elevational view thereof.

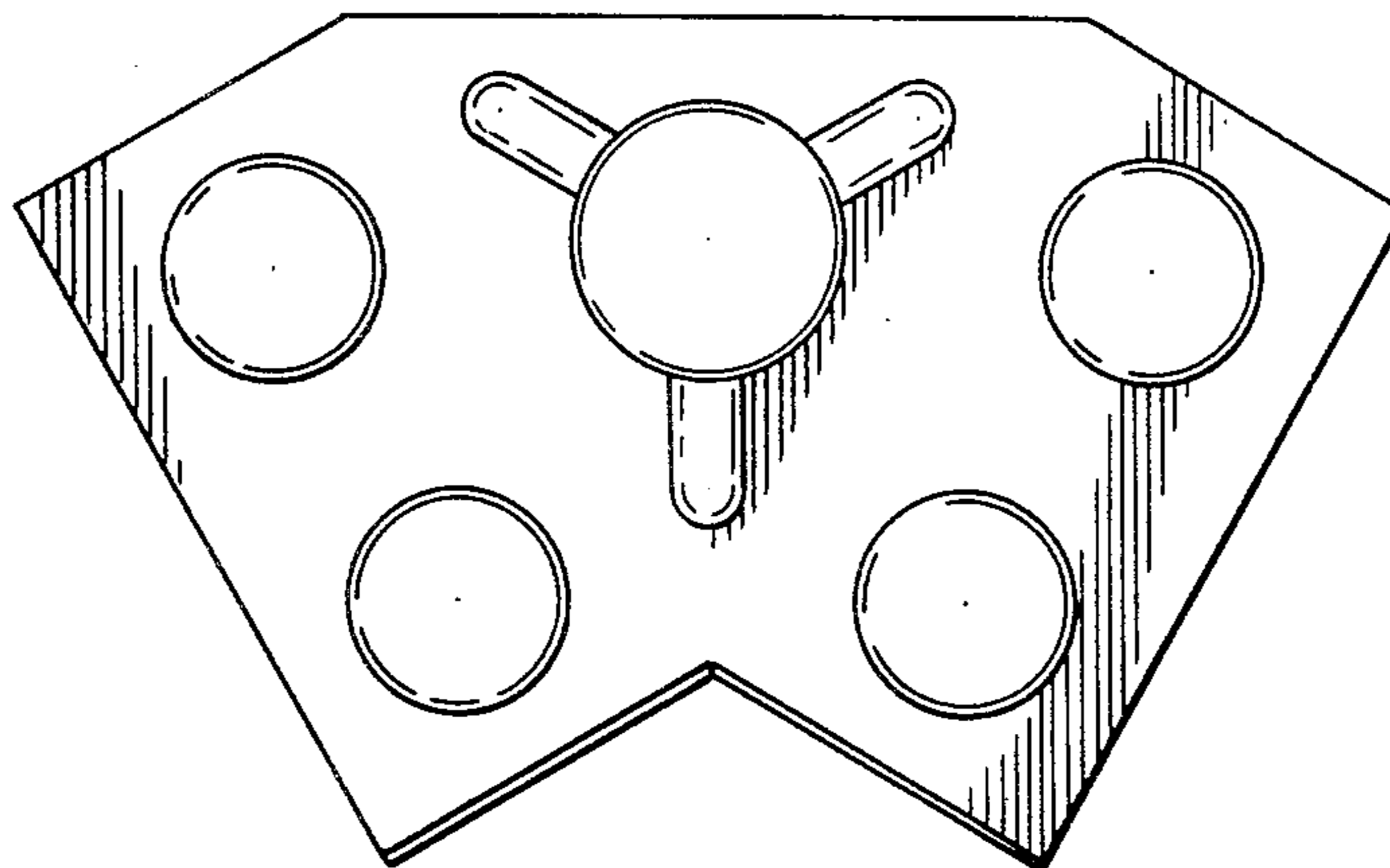


FIG. 1

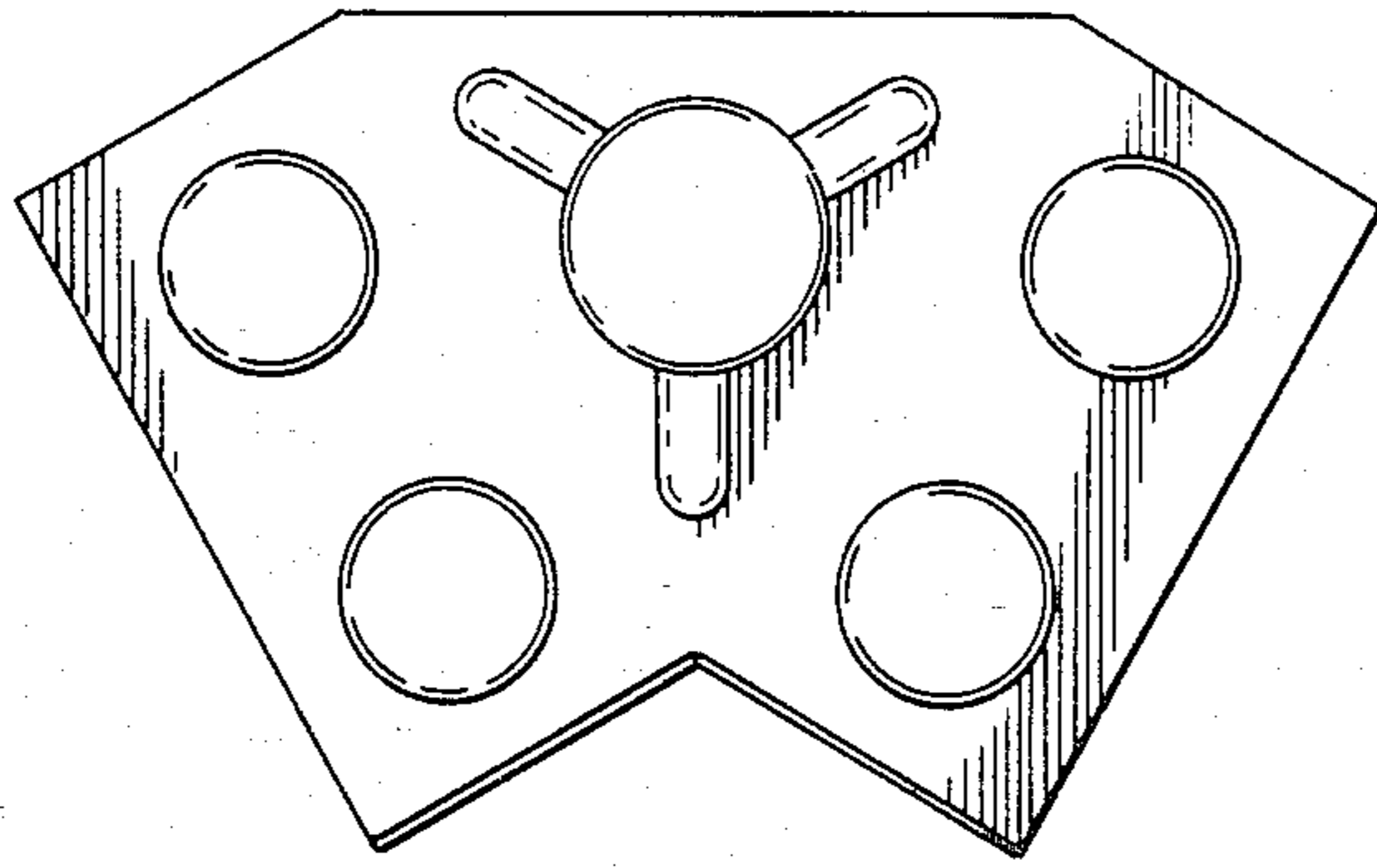


FIG. 2

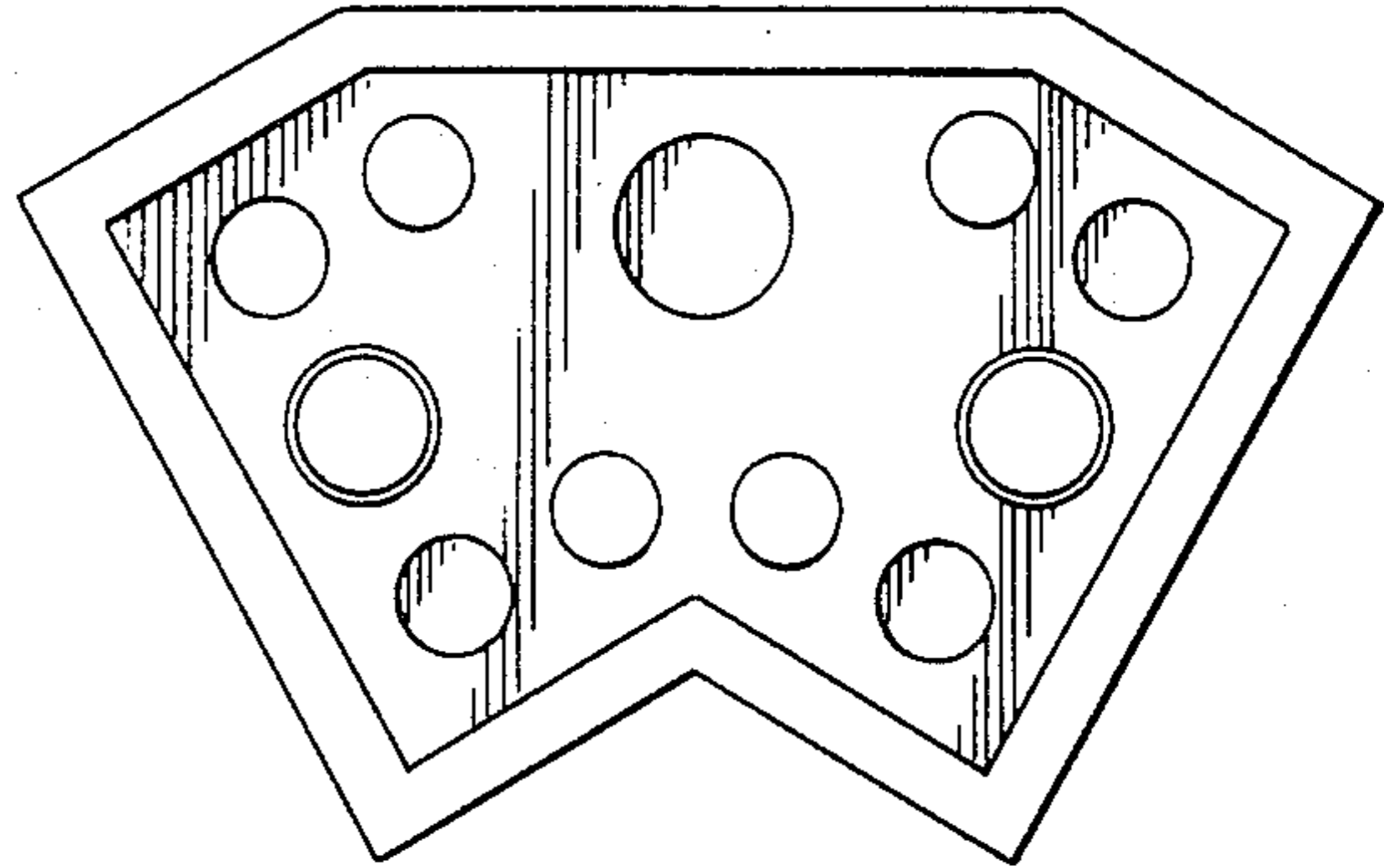


FIG. 3

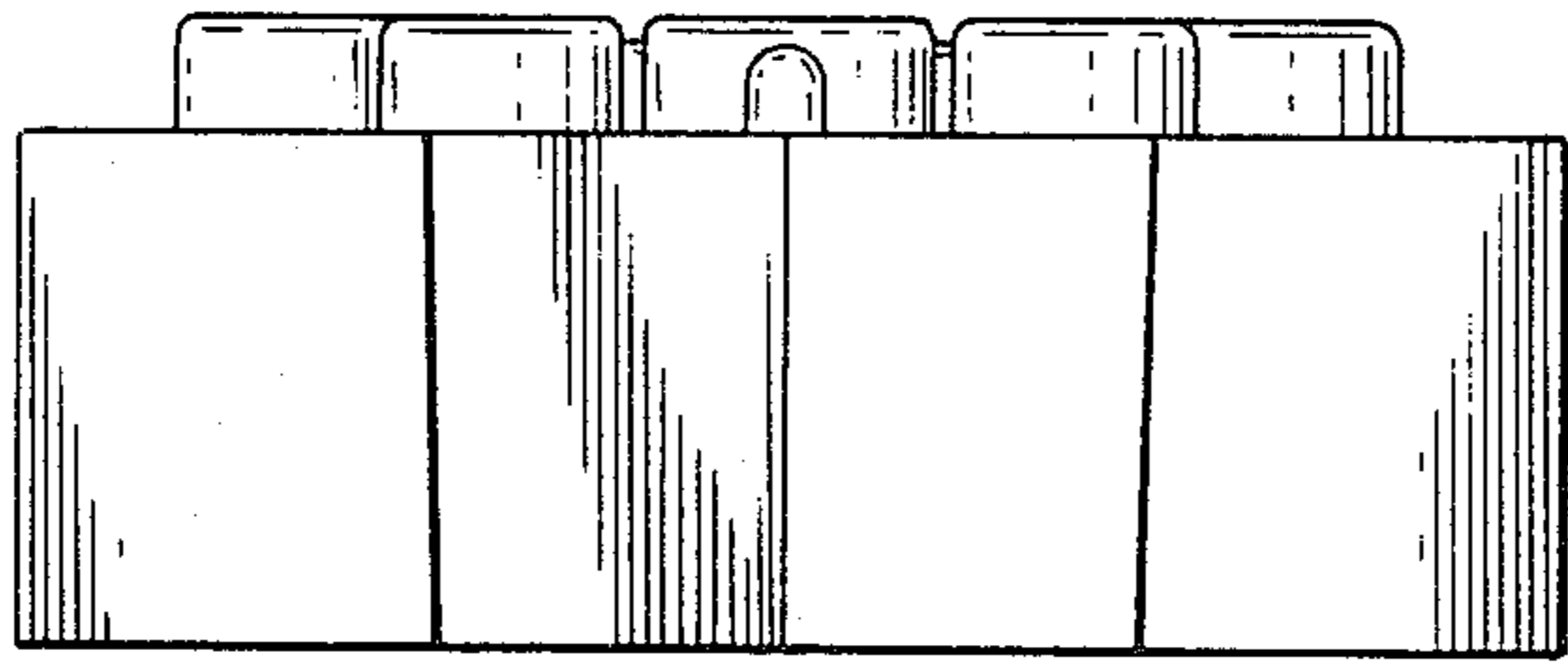


FIG. 5

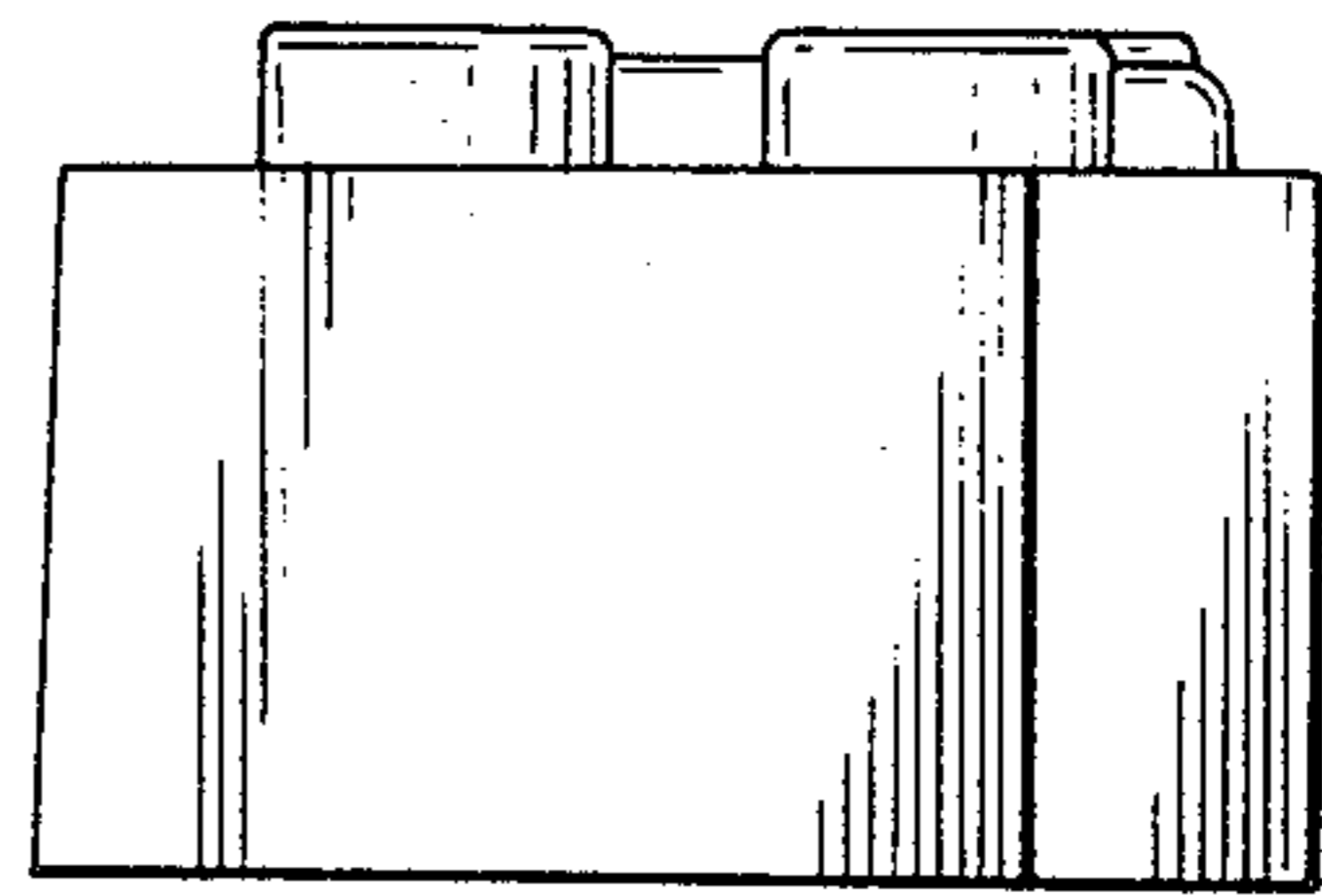


FIG. 4

