

[54] **TOY BALANCE WALKER**

[75] **Inventor: Ronald R. Smith, Garden Grove, Calif.**

[73] **Assignees: Louis A. Weisenberg; Francis X. LoJacono, both of Westminster, Calif.**

[**] **Term: 14 Years**

[21] **Appl. No.: 497,247**

[22] **Filed: May 23, 1983**

[52] **U.S. Cl. D21/66; D21/191; D21/193**

[58] **Field of Search D21/66, 191, 193; 272/70, 111, 96, 70.2**

[56] **References Cited**

U.S. PATENT DOCUMENTS

- D. 255,372 6/1980 Tidmore D21/193
- D. 261,909 11/1981 Heatwole D21/191
- D. 265,411 7/1982 Hedenblad et al. D21/191
- D. 276,062 10/1984 Dennis D21/193

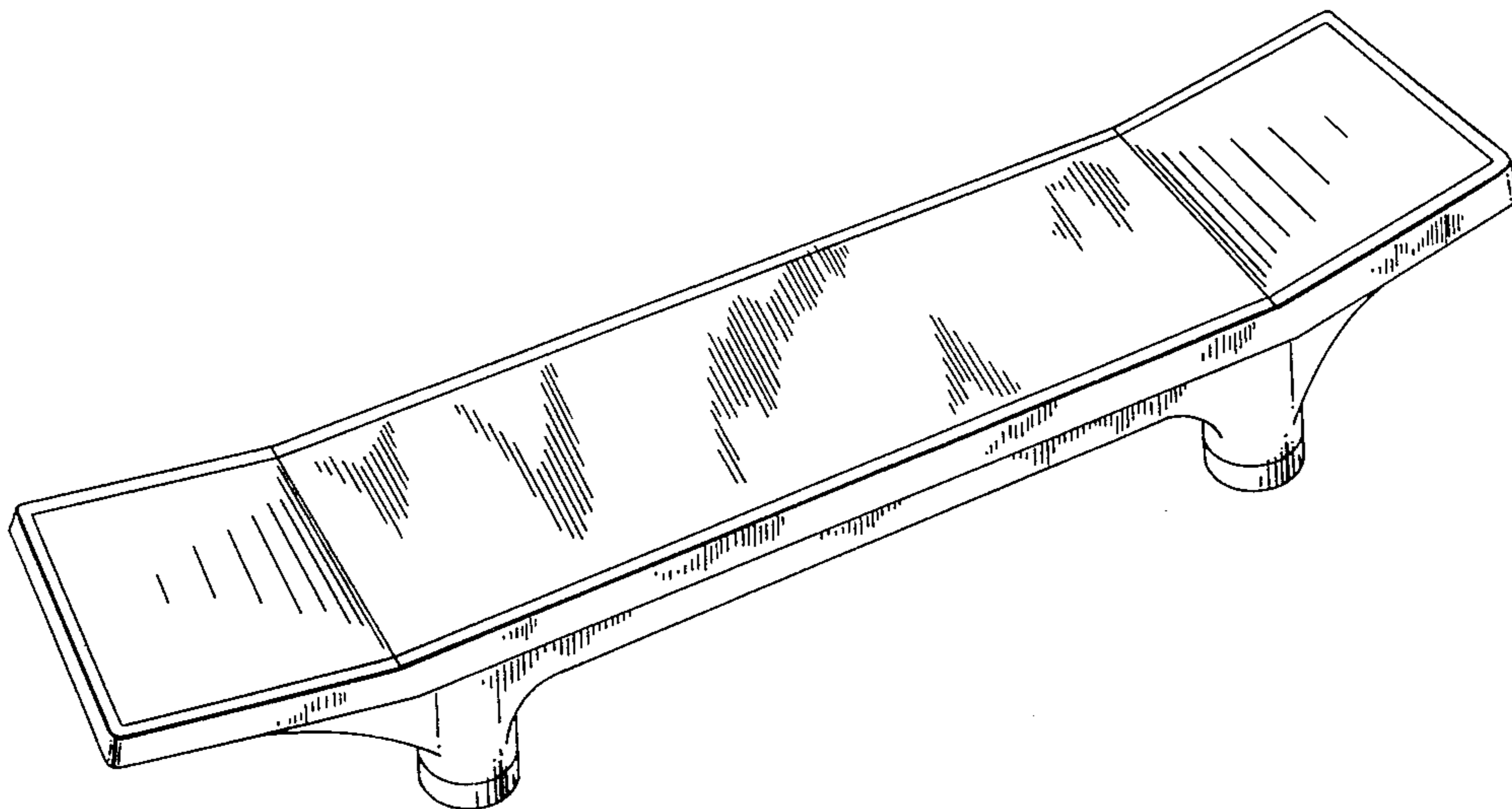
Primary Examiner—Charles A. Rademaker
Attorney, Agent, or Firm—Francis X. LoJacono

[57] **CLAIM**

The ornamental design for a toy balance walker, as shown and described.

DESCRIPTION

FIG. 1 is a perspective view of a toy balance walker, showing my new design;
 FIG. 2 is a side-elevational view of the side not seen in FIG. 1;
 FIG. 3 is an elevational view of the right end thereof;
 FIG. 4 is an elevational view of the left end thereof;
 FIG. 5 is a bottom-plan view thereof.



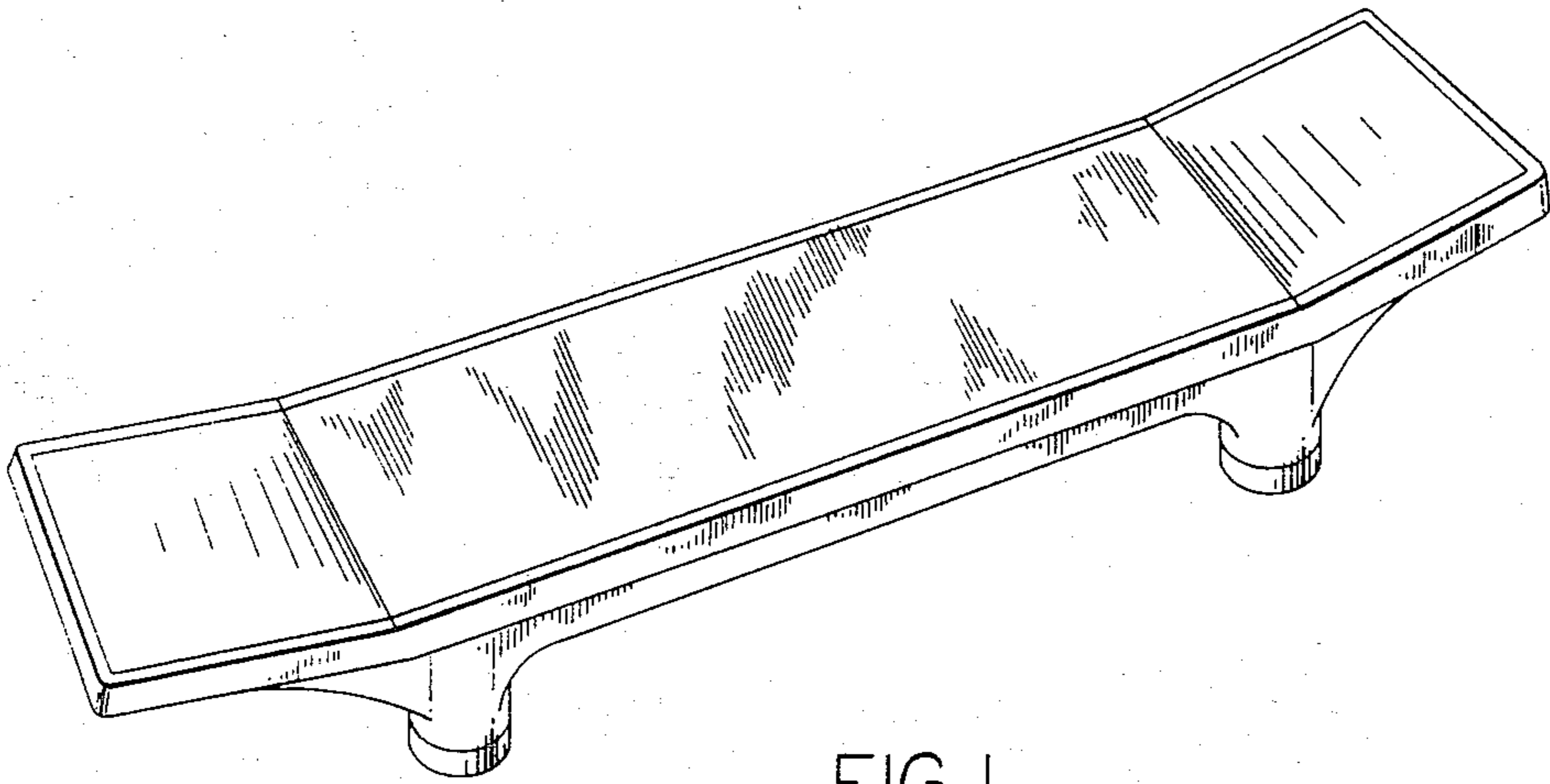


FIG. 1

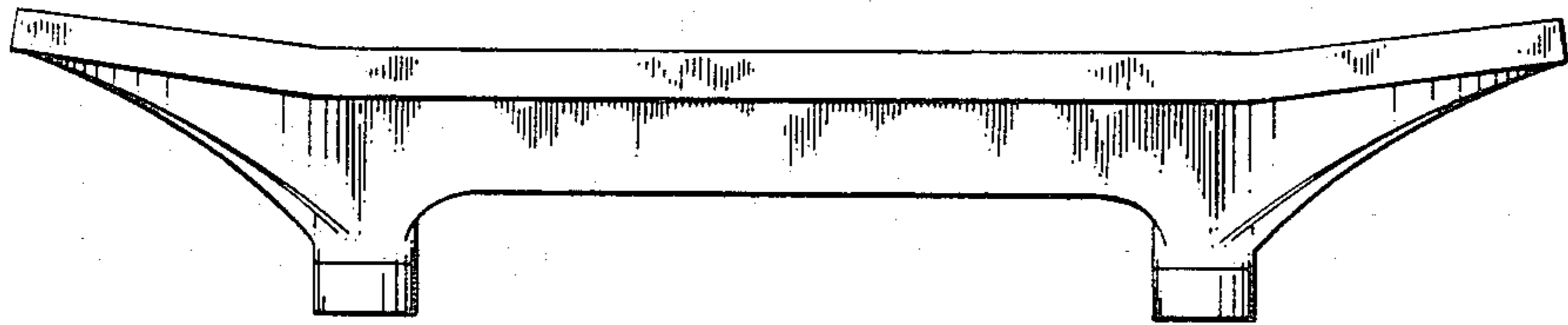


FIG. 2

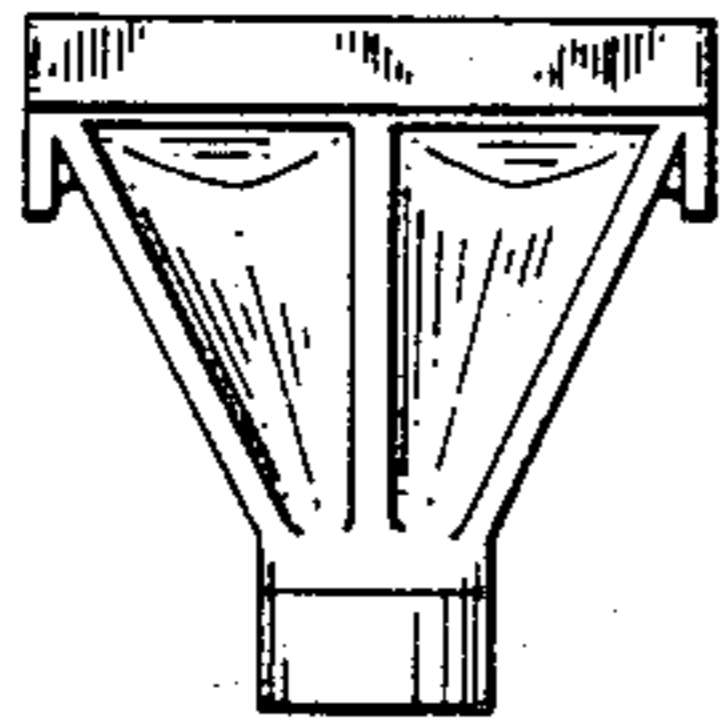


FIG. 3

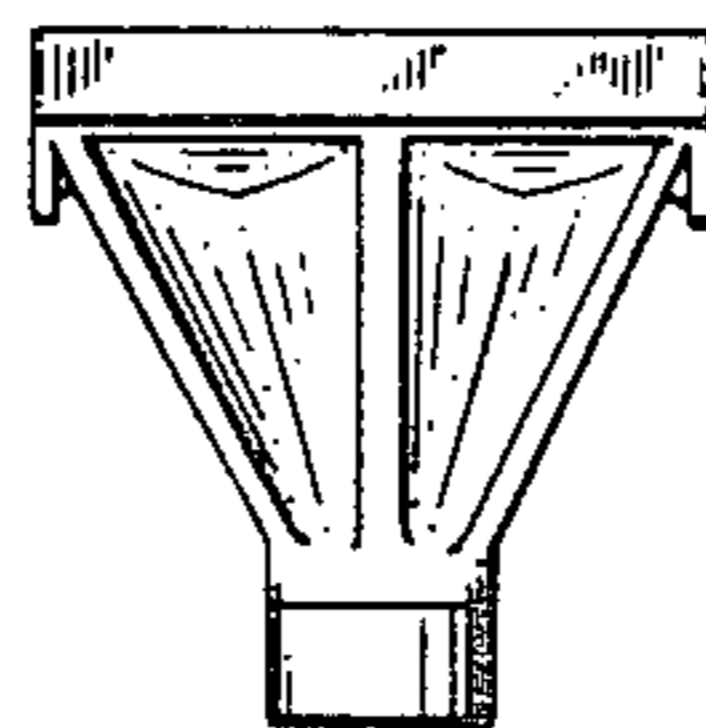


FIG. 4

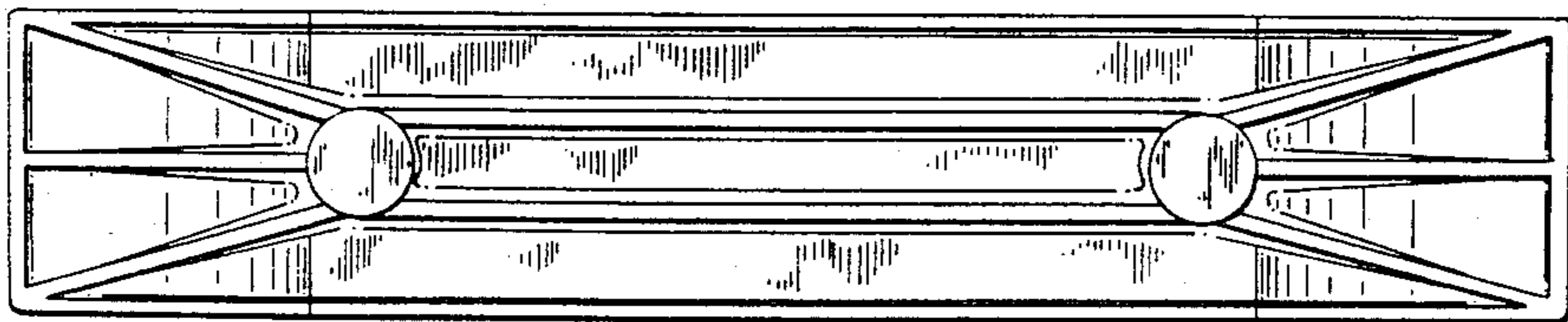


FIG. 5