

[54] GAME ACCESSORY HOLDER

[75] Inventor: Heinz H. Hensley, Dreieich, Fed. Rep. of Germany

[73] Assignee: Lillian Hensley Unternehmensberatungs GmbH, Dreieich, Fed. Rep. of Germany

[**] Term: 14 Years

[21] Appl. No.: 416,251

[22] Filed: Sep. 9, 1982

[30] Foreign Application Priority Data

May 14, 1982 [DE] Fed. Rep. of Germany ... 8 MR 560

[52] U.S. Cl. D21/54

[58] Field of Search D21/54, 55; 273/148 A; D19/75, 92

[56] References Cited

U.S. PATENT DOCUMENTS

- D. 132,137 4/1942 Holstein D21/54
- D. 253,615 12/1979 Colwell D21/54

- D. 262,382 12/1981 Martin D19/92
- D. 274,826 7/1984 Wood D21/54
- 2,731,270 1/1956 Schultz 273/148 A

OTHER PUBLICATIONS

Sears Christmas Catalog, 1979, p. 626, Item: Monopoly Game Tray.

Primary Examiner—Bernard Ansher
Assistant Examiner—Terry Pfeffer
Attorney, Agent, or Firm—Wenderoth, Lind & Ponack

[57] CLAIM

The ornamental design for game accessory holder, substantially as shown and described.

DESCRIPTION

FIG. 1 is a front, top, right side perspective view of a game accessory holder showing my new design; FIG. 2 is a left side elevation thereof; FIG. 3 is a rear elevation thereof; FIG. 4 is a top plan view thereof; FIG. 5 is a front elevation thereof; and FIG. 6 is a bottom plan view thereof.

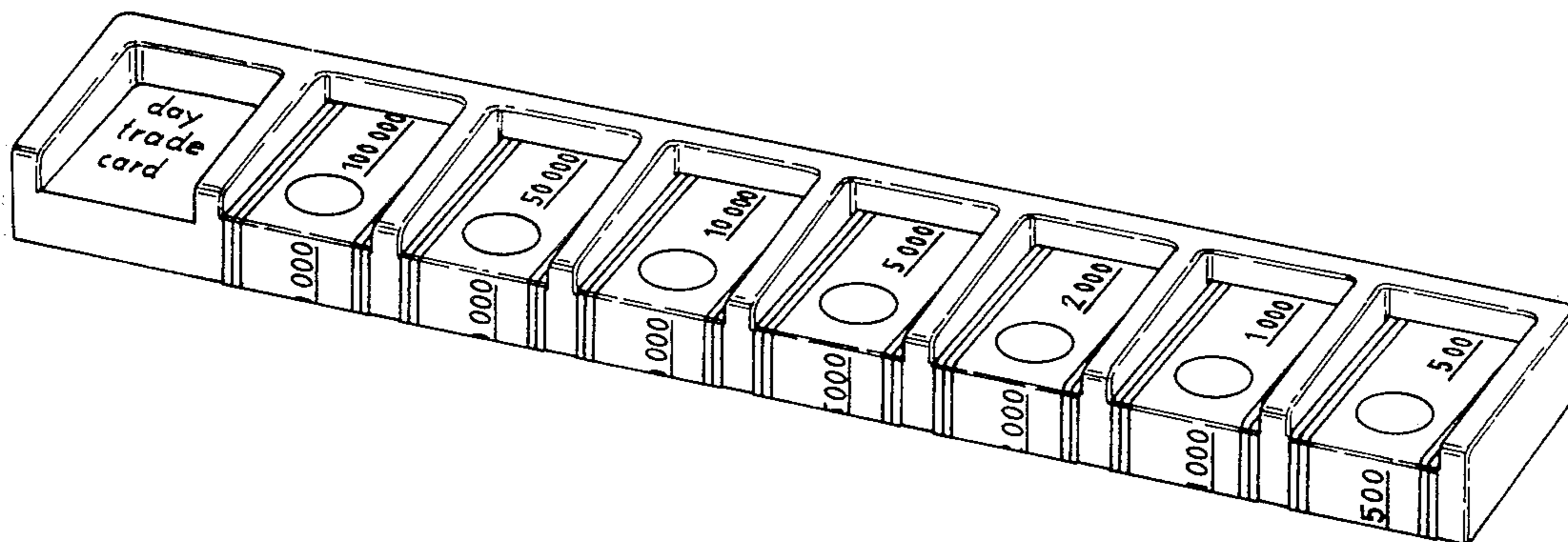


FIG. 1

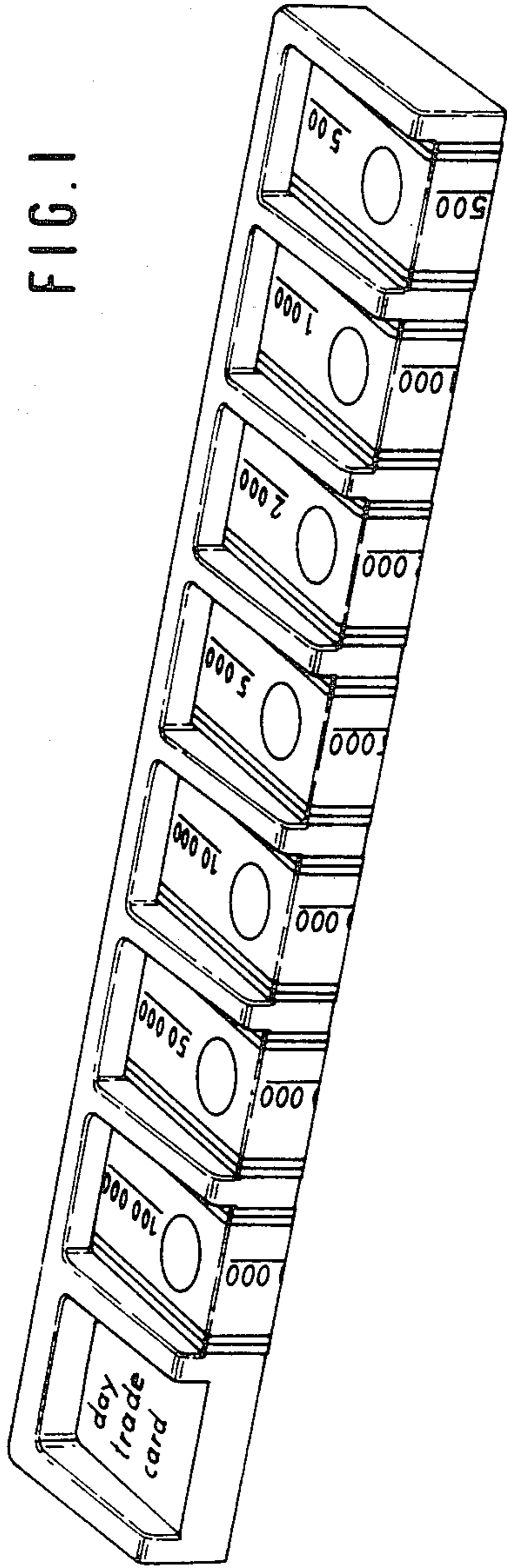


FIG. 2

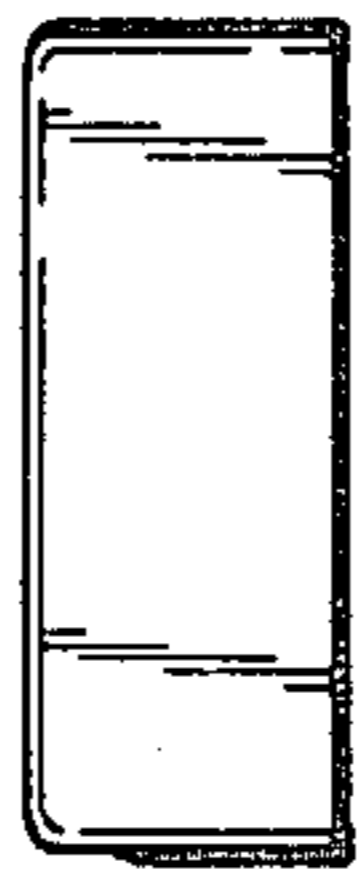


FIG. 3

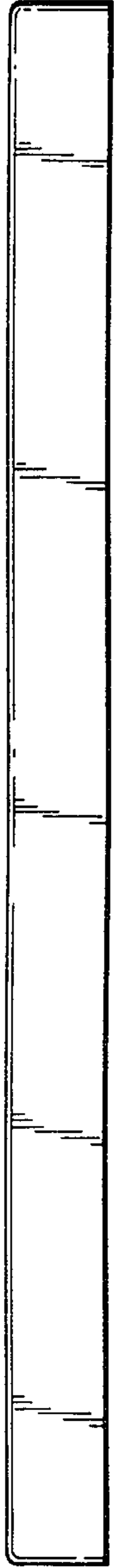


FIG. 4

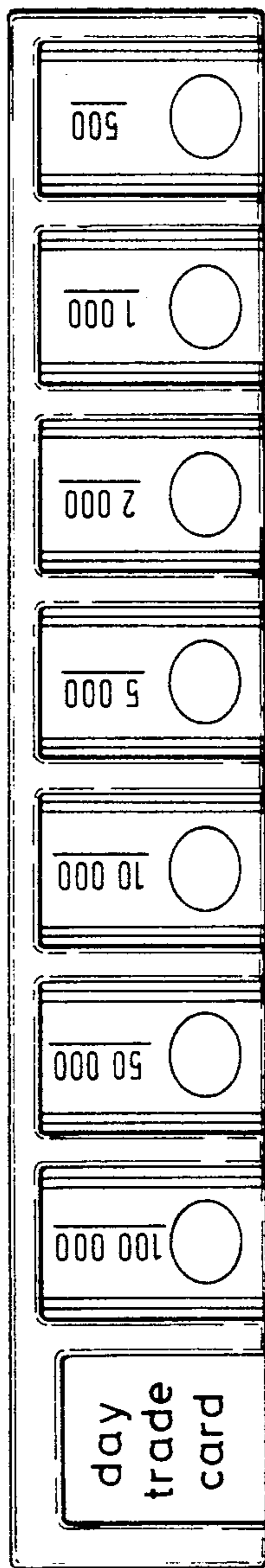


FIG. 5

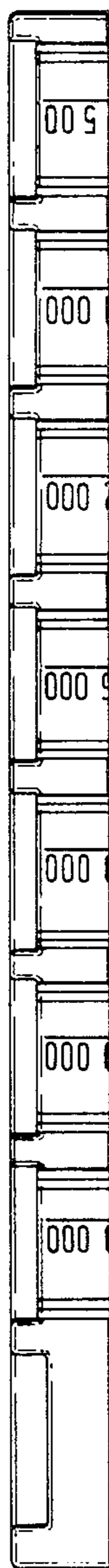


FIG. 6

